



US00D637958S

(12) **United States Design Patent**  
**Asano et al.**

(10) **Patent No.:** **US D637,958 S**

(45) **Date of Patent:** **\*\* May 17, 2011**

(54) **ELECTRICAL CONNECTOR**

(75) Inventors: **Takao Asano**, Isesaki (JP); **Junichi Arai**, Isesaki (JP)

(73) Assignee: **Hosiden Corporation**, Yao-shi (JP)

(\*\*) Term: **14 Years**

(21) Appl. No.: **29/381,059**

(22) Filed: **Dec. 15, 2010**

(30) **Foreign Application Priority Data**

Jun. 16, 2010 (JP) ..... 2010-014749

(51) **LOC (9) Cl.** ..... **13-03**

(52) **U.S. Cl.** ..... **D13/147**

(58) **Field of Classification Search** ..... D13/147,  
D13/154, 184; 439/476.1, 483, 527, 533,  
439/607.01, 607.04, 607.05, 607.17, 607.25,  
439/607.34, 607.41, 607.53, 892, 894  
See application file for complete search history.

(56) **References Cited**

**U.S. PATENT DOCUMENTS**

D478,050 S \* 8/2003 Nishio et al. .... D13/147  
D481,681 S \* 11/2003 Takahashi ..... D13/147

D523,400 S \* 6/2006 Shang-Yen et al. .... D13/147  
D523,813 S \* 6/2006 He et al. .... D13/147  
D550,160 S \* 9/2007 Fujimoto ..... D13/147  
D599,294 S \* 9/2009 Yang et al. .... D13/147  
D608,288 S \* 1/2010 Zhu et al. .... D13/147  
D618,625 S \* 6/2010 Nagata et al. .... D13/147

\* cited by examiner

*Primary Examiner* — Daniel Bui

(74) *Attorney, Agent, or Firm* — Rankin, Hill & Clark LLP

(57) **CLAIM**

The ornamental design for an electrical connector, as shown and described.

**DESCRIPTION**

FIG. 1 is a top, front and right side perspective view of an electrical connector showing our new design;  
FIG. 2 is a bottom, rear and right side perspective view thereof;  
FIG. 3 is a front elevation view thereof;  
FIG. 4 is a rear elevation view thereof;  
FIG. 5 is a left side elevation view thereof, a right side elevation view being a mirror image thereof;  
FIG. 6 is a top plan view thereof; and,  
FIG. 7 is a bottom plan view thereof.

**1 Claim, 3 Drawing Sheets**

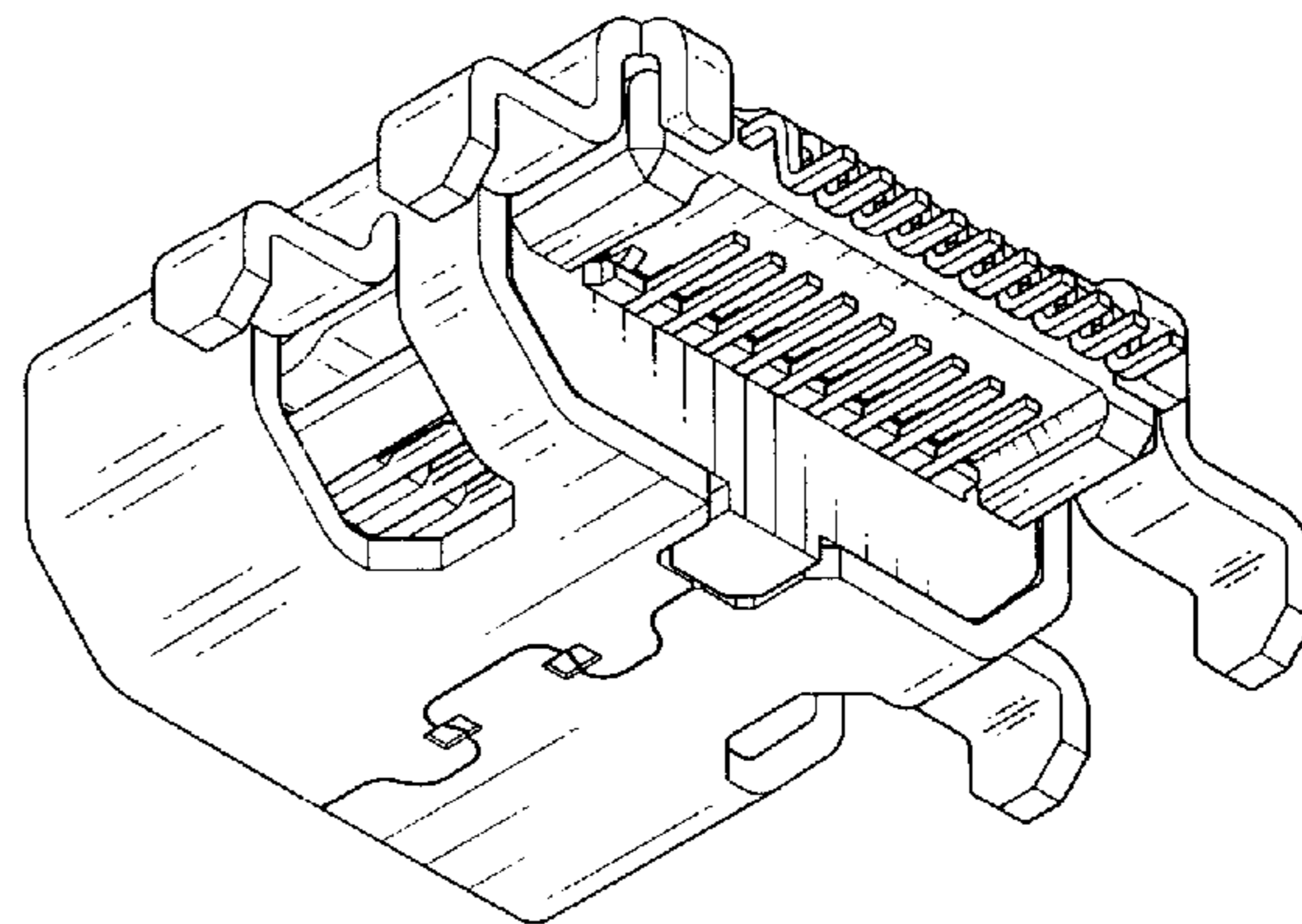
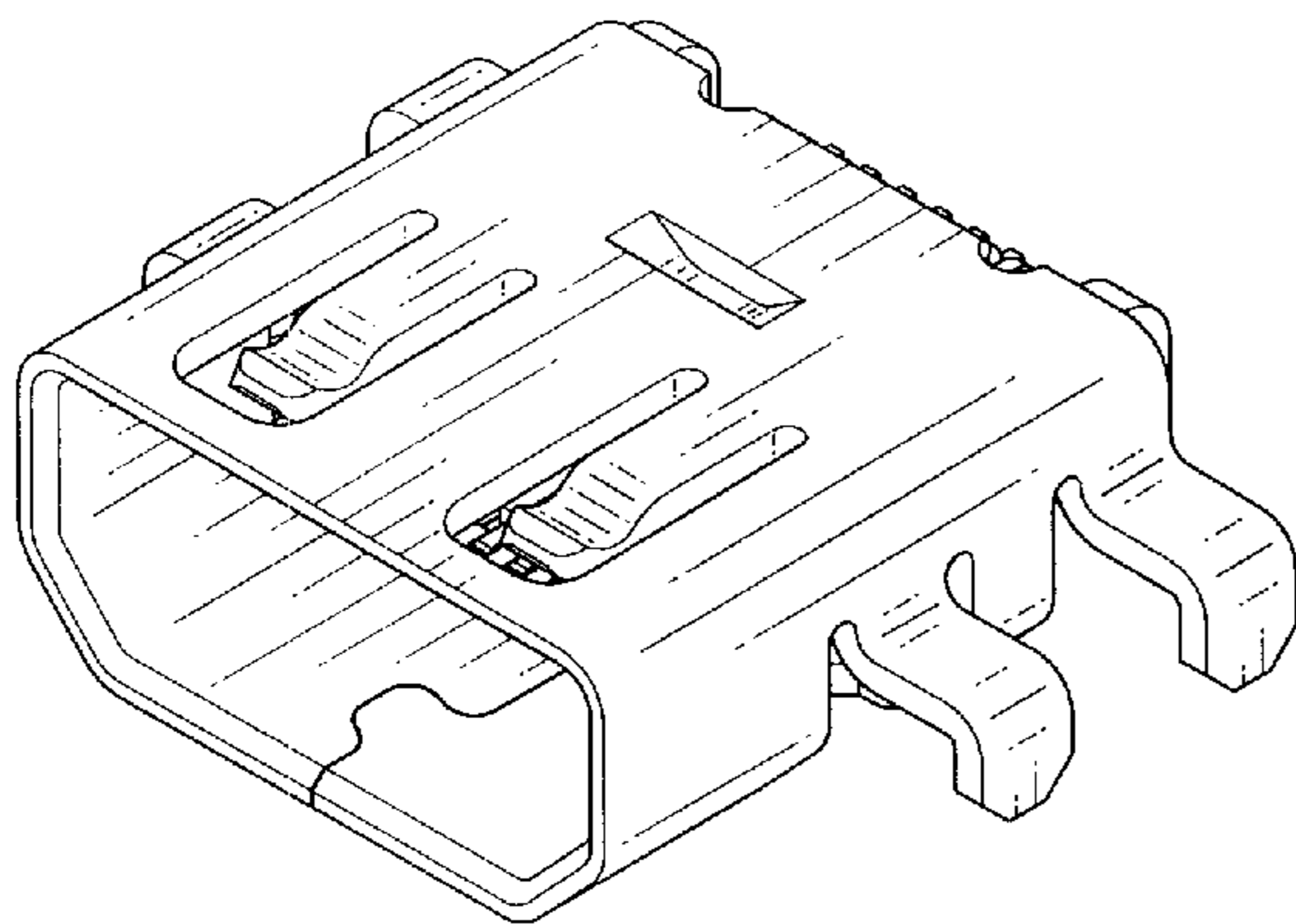


Fig. 1

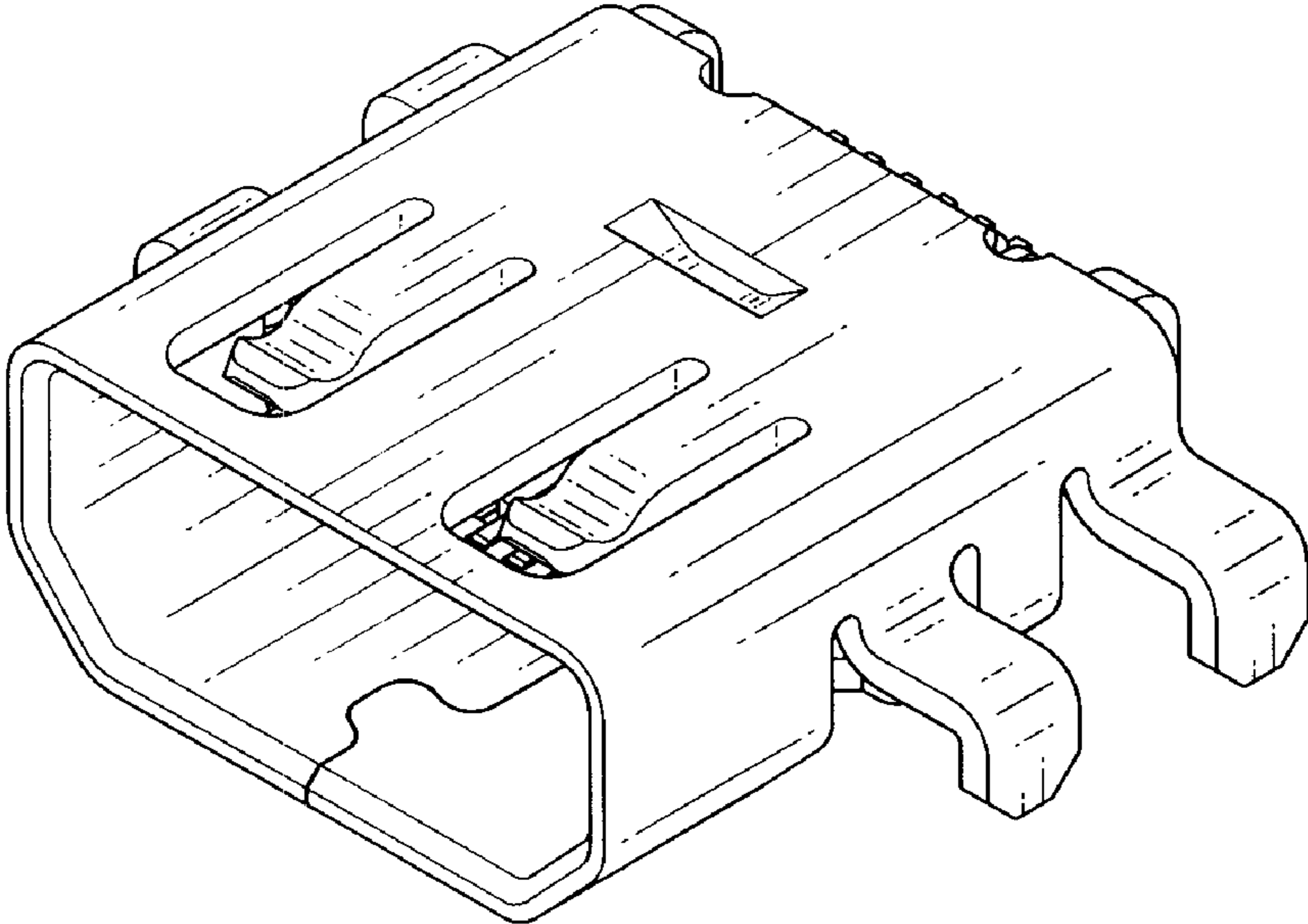


Fig. 2

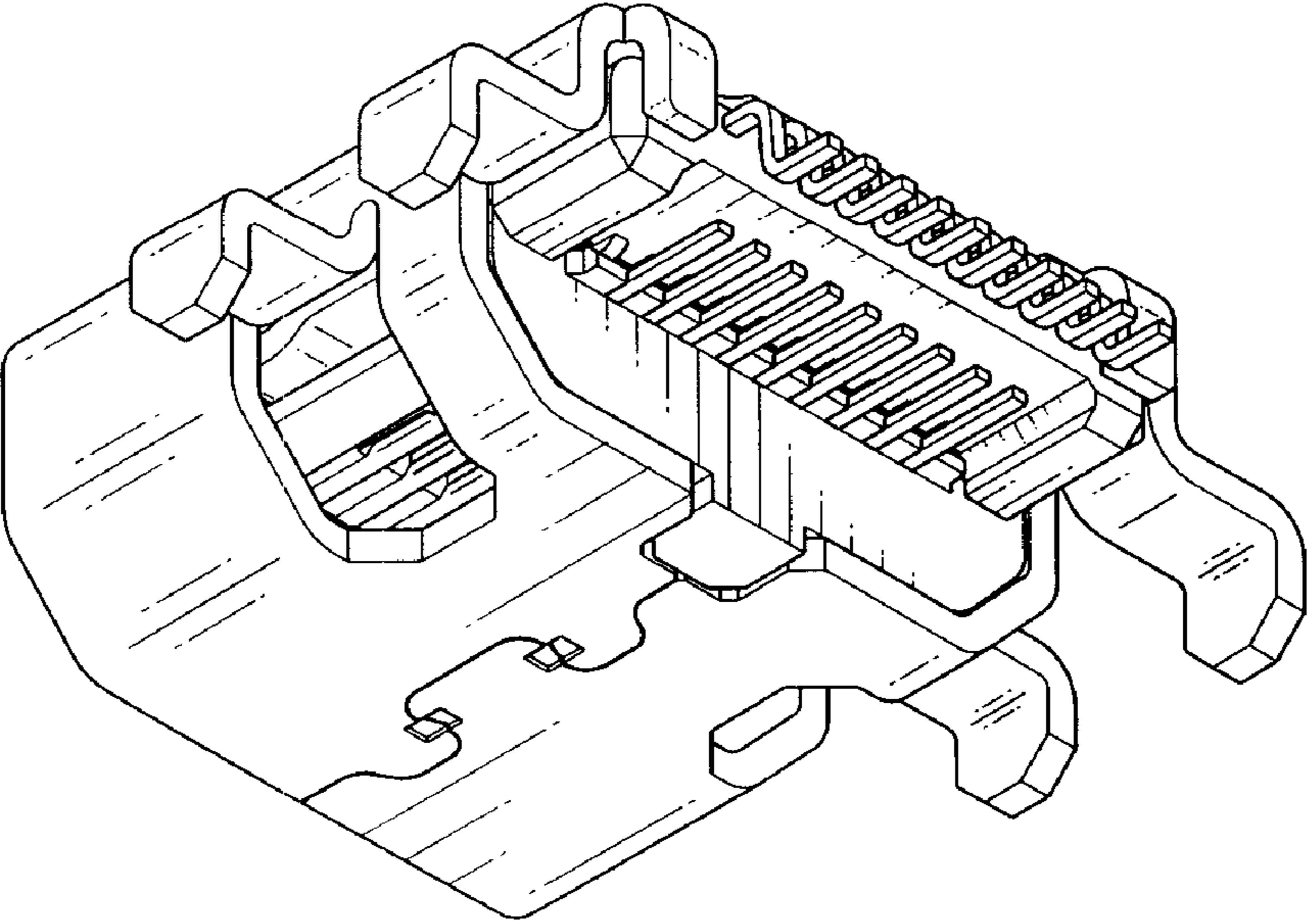


Fig. 3

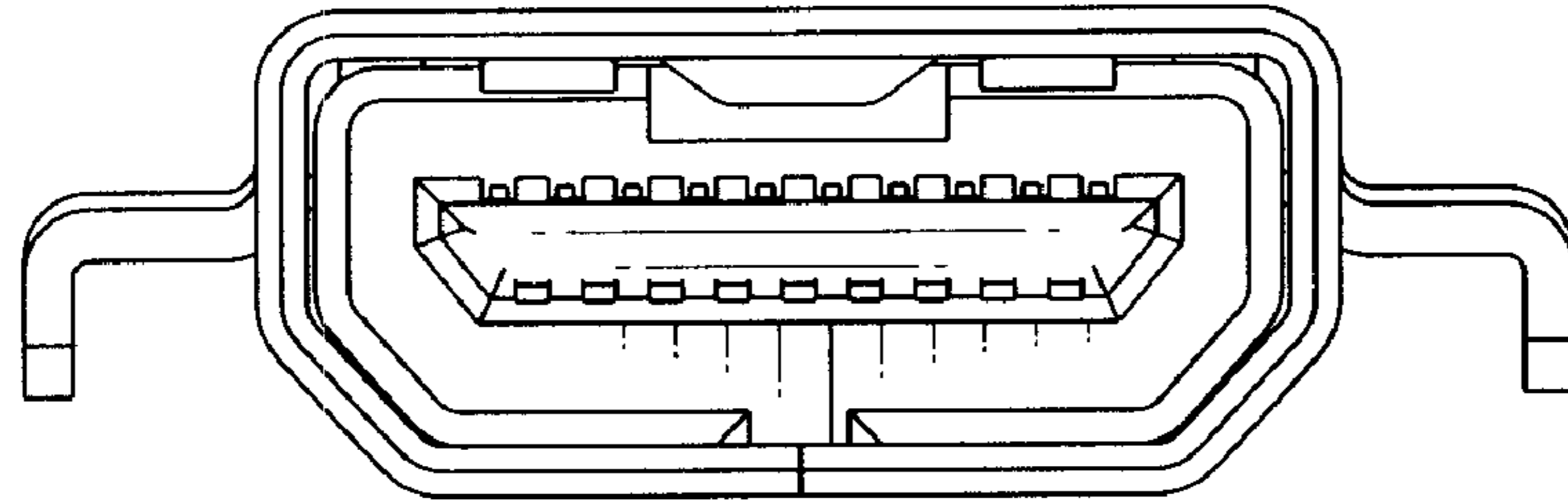


Fig. 4

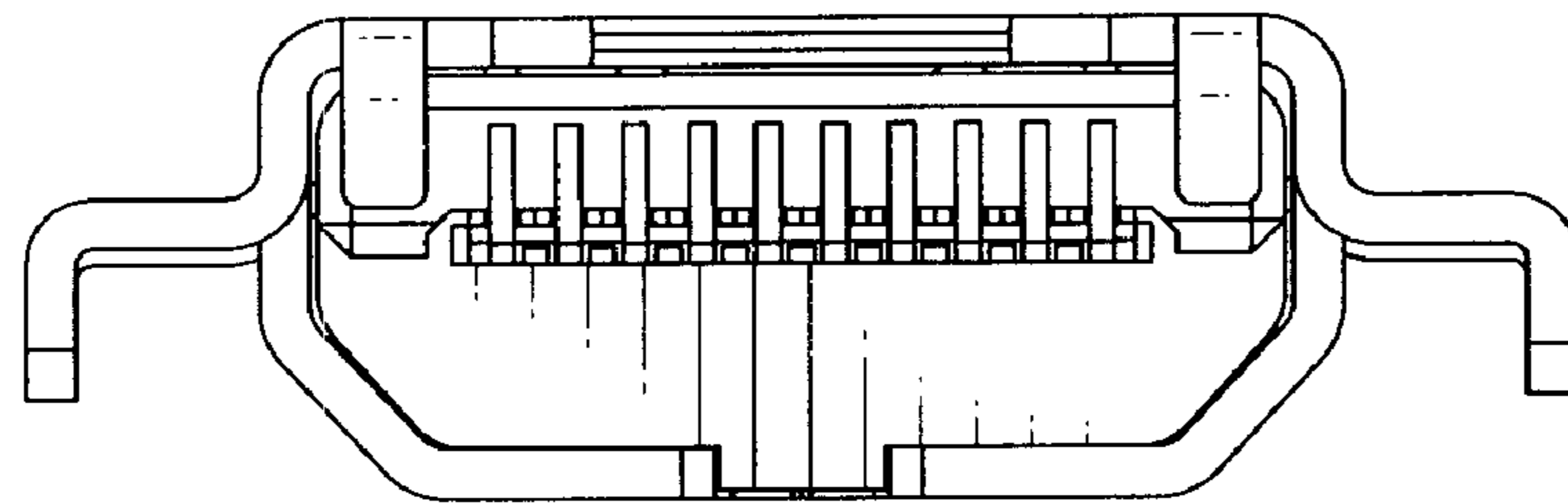


Fig. 5

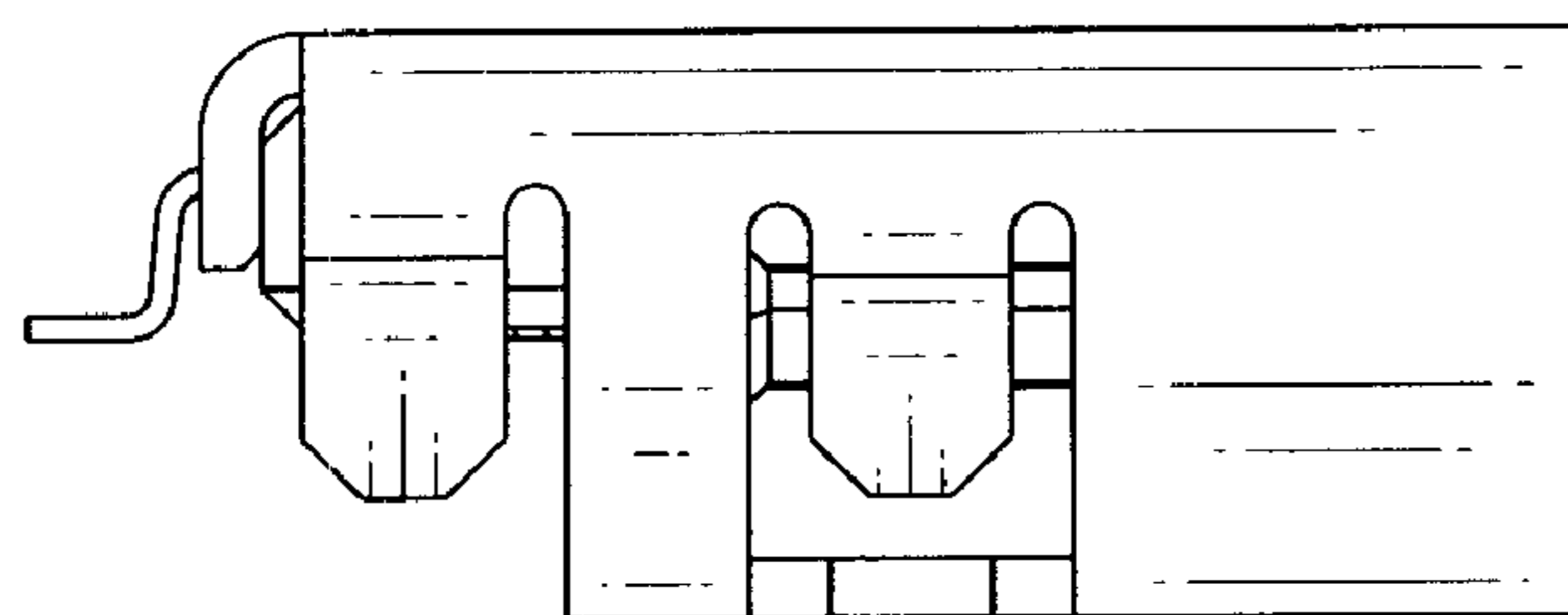


Fig. 6

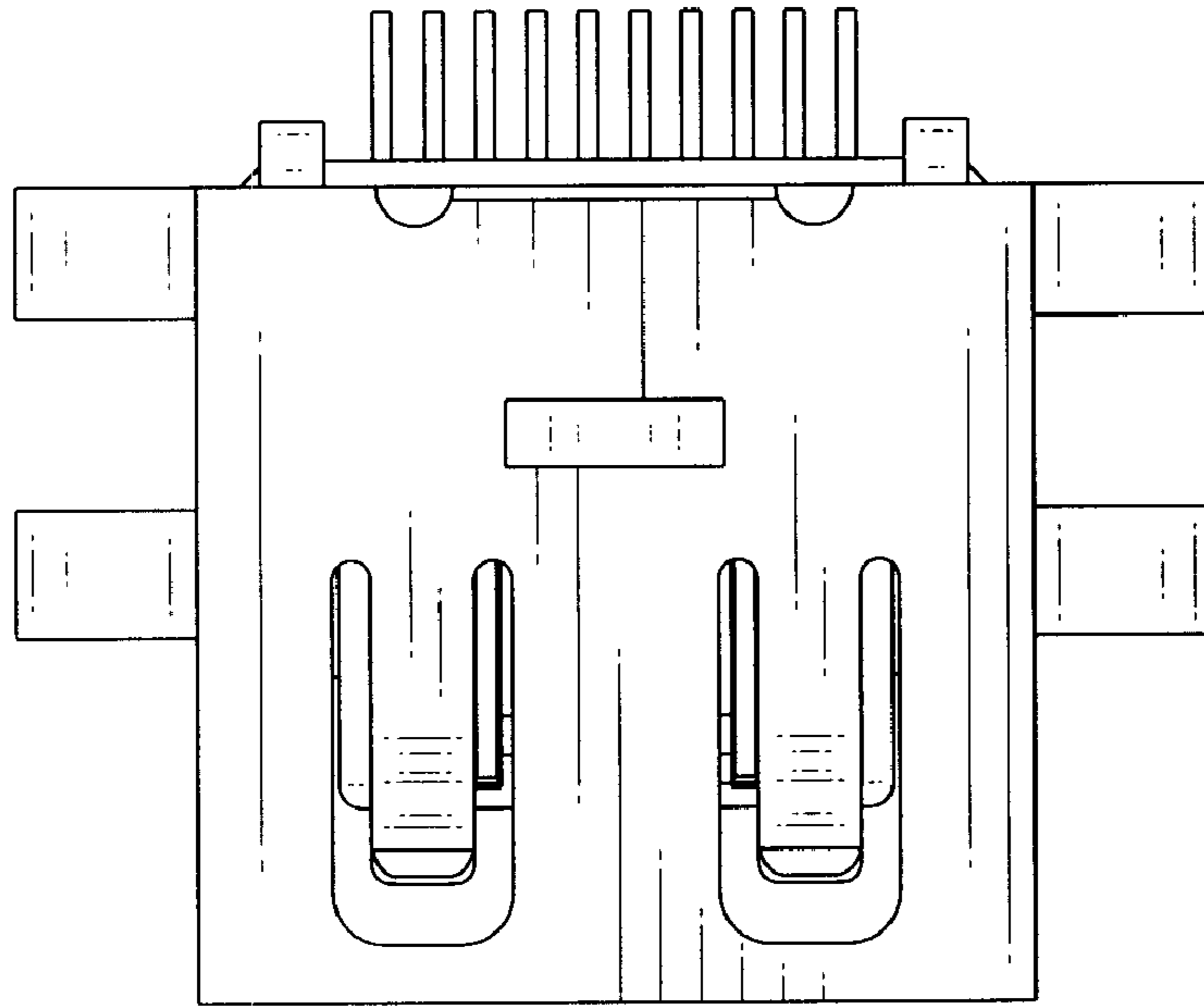


Fig. 7

