



US00D637957S

(12) **United States Design Patent**
Zhang et al.

(10) **Patent No.:** **US D637,957 S**
(45) **Date of Patent:** **** May 17, 2011**

(54) **ELECTRICAL CONNECTOR ASSEMBLY**

(75) Inventors: **George Huanyi Zhang**, Irvine, CA (US); **Gustavo F. Duenas**, Placentia, CA (US); **Bin Pan**, Irvine, CA (US)

(73) Assignee: **Hon Hai Precision Ind. Co., Ltd.**, New Taipei (TW)

(**) Term: **14 Years**

(21) Appl. No.: **29/376,686**

(22) Filed: **Oct. 10, 2010**

(51) **LOC (9) Cl.** **13-03**

(52) **U.S. Cl.** **D13/147**

(58) **Field of Classification Search** D13/147,
D13/154, 184; 439/79, 607.01, 607.04, 607.05,
439/607.17, 607.25, 607.34, 607.41, 607.53,
439/540.1, 541.5, 660, 680, 686
See application file for complete search history.

(56) **References Cited**

U.S. PATENT DOCUMENTS

D455,127 S *	4/2002	Wu	D13/147
D578,480 S *	10/2008	Zhu et al.	D13/147
D595,233 S *	6/2009	Yang	D13/147
D609,185 S *	2/2010	Yuan et al.	D13/147
D617,281 S *	6/2010	Chen et al.	D13/147

* cited by examiner

Primary Examiner — Daniel D Bui

(74) *Attorney, Agent, or Firm* — Wei Te Chung; Andrew C. Cheng; Ming Chieh Chang

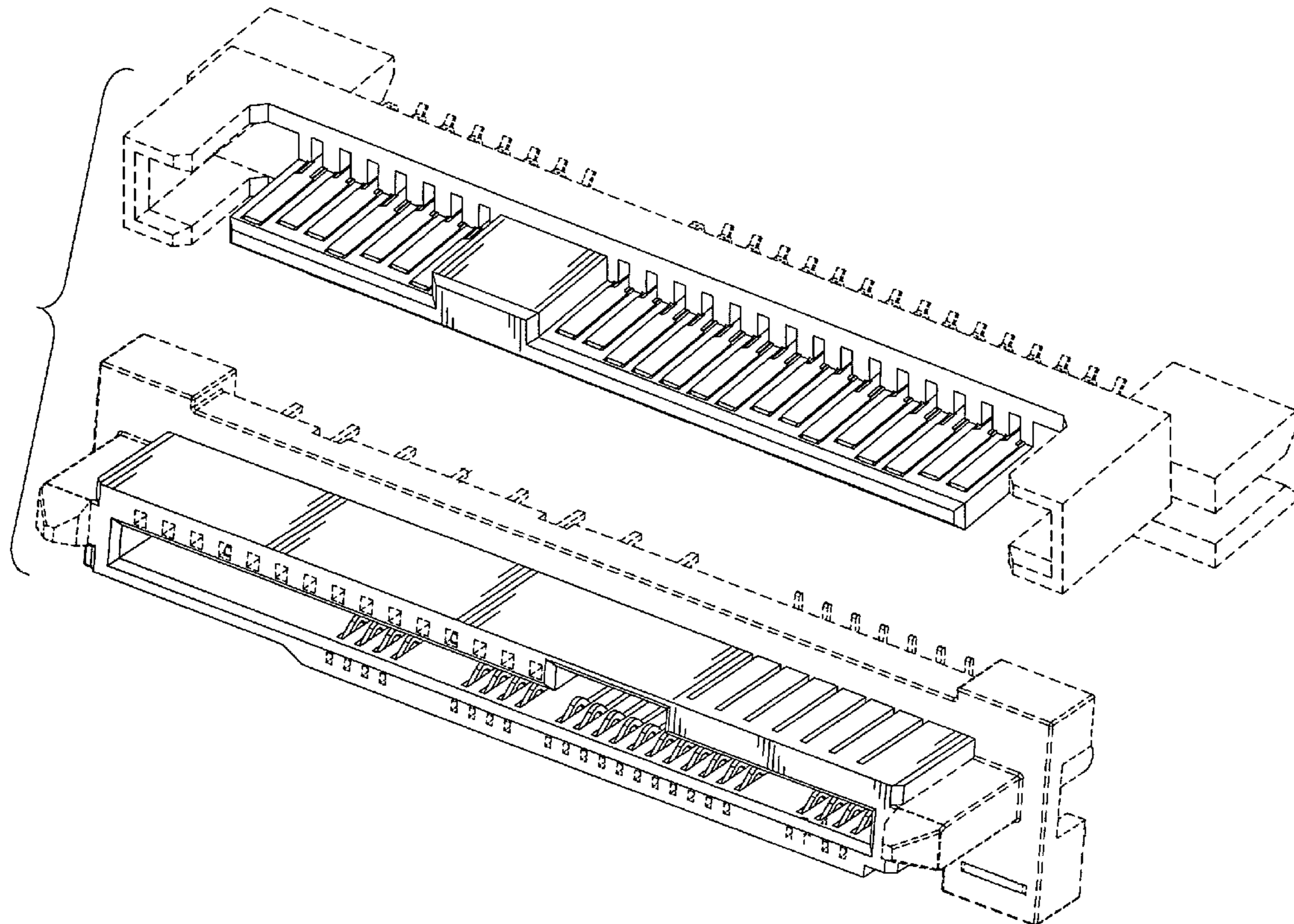
(57) **CLAIM**

The ornamental design for an electrical connector assembly, as shown and described.

DESCRIPTION

FIG. 1 is a front and top perspective view of the first connector of an electrical connector assembly showing our new design; FIG. 2 is a front and bottom perspective view thereof; FIG. 3 is a front elevation view thereof; FIG. 4 is a top plan view thereof; FIG. 5 is a bottom plan view thereof; FIG. 6 is a front and bottom perspective view of the second connector of an electrical connector assembly showing our new design; FIG. 7 is a front and top perspective view thereof; FIG. 8 is a front elevation view thereof; FIG. 9 is a top plan view thereof; FIG. 10 is a bottom plan view thereof; and, FIG. 11 is front and top perspective view of the first and second connector to form an electrical connector assembly showing our new design. The broken line showing of the environment is for illustrative purposes only and forms no part of the claimed design.

1 Claim, 11 Drawing Sheets



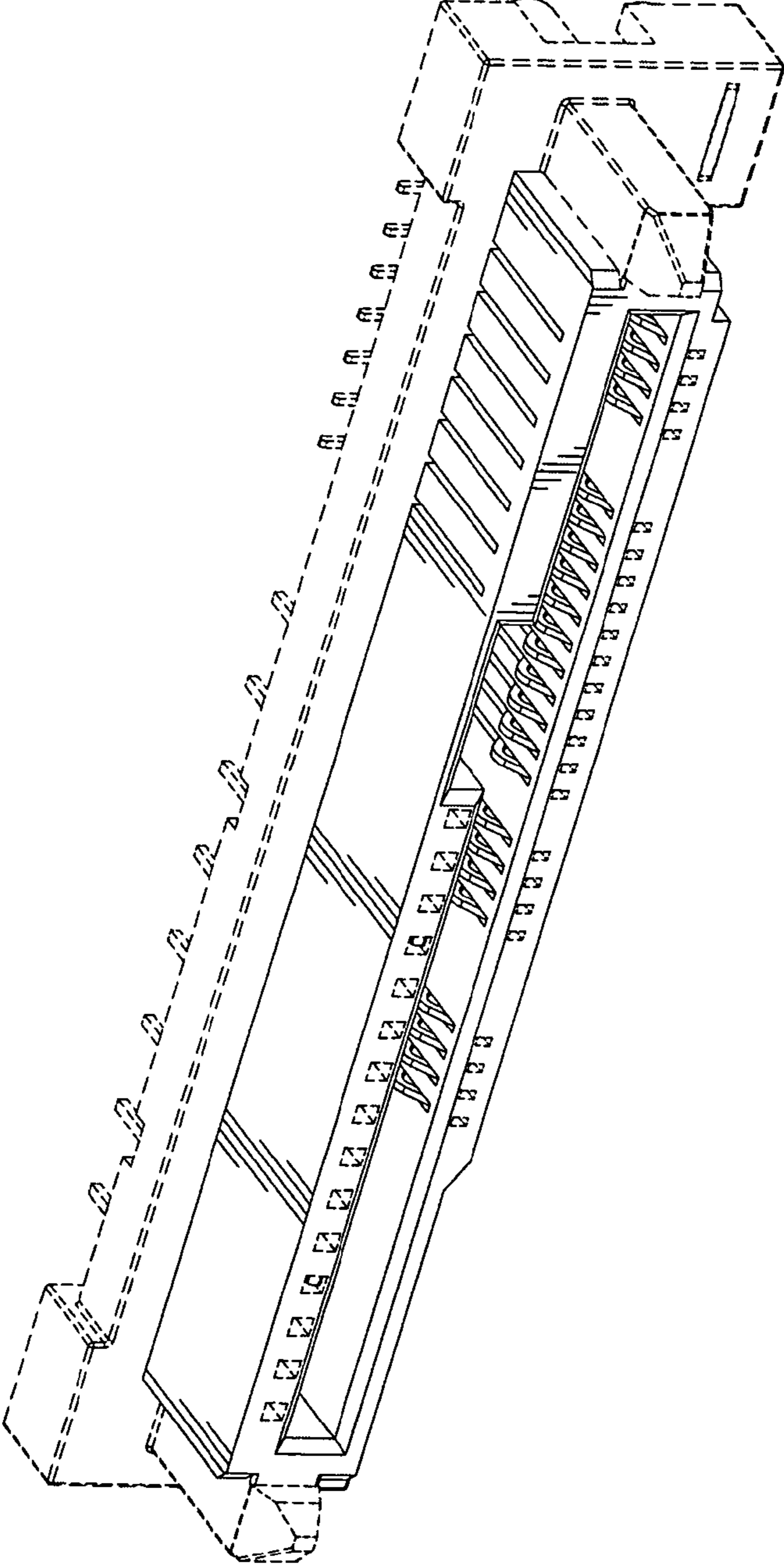


FIG. 1

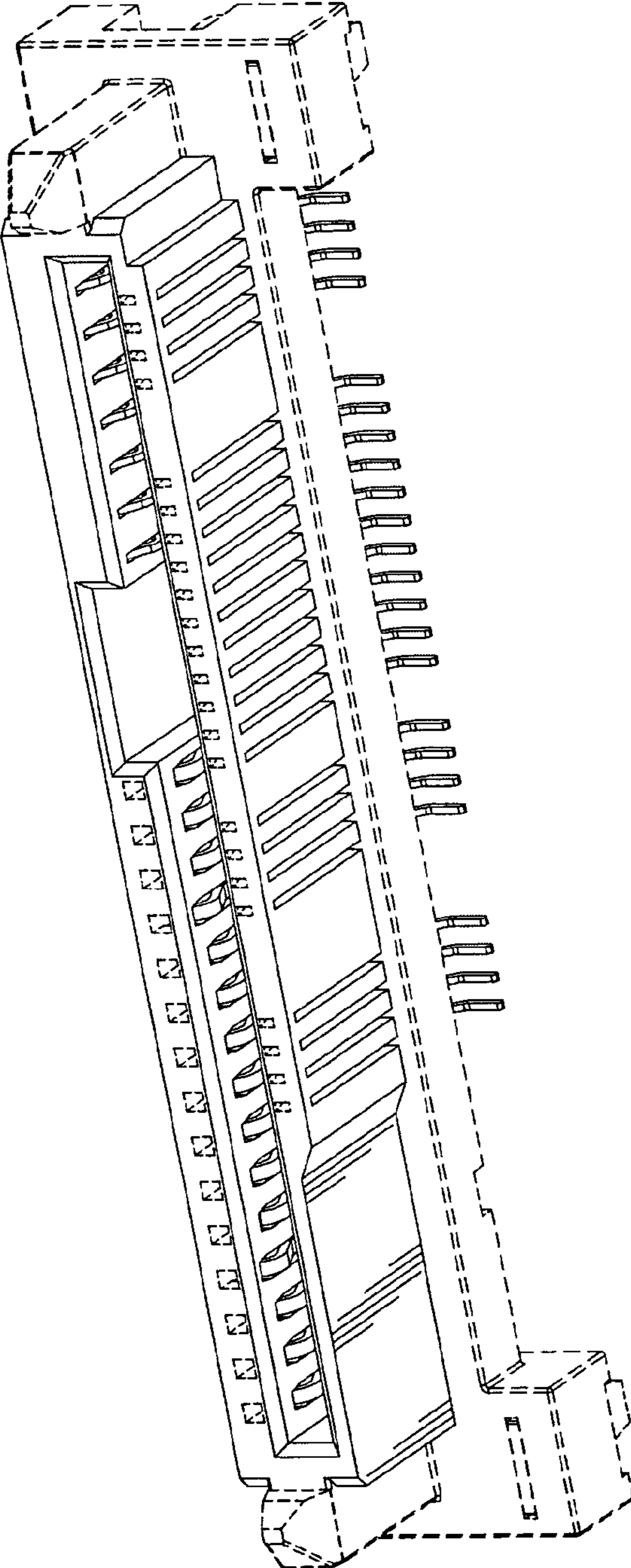


FIG. 2

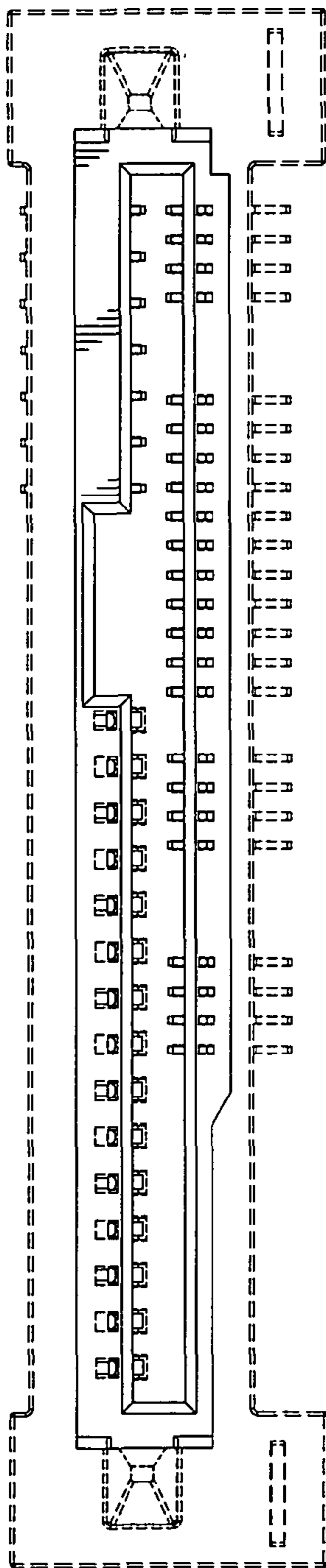


FIG. 3

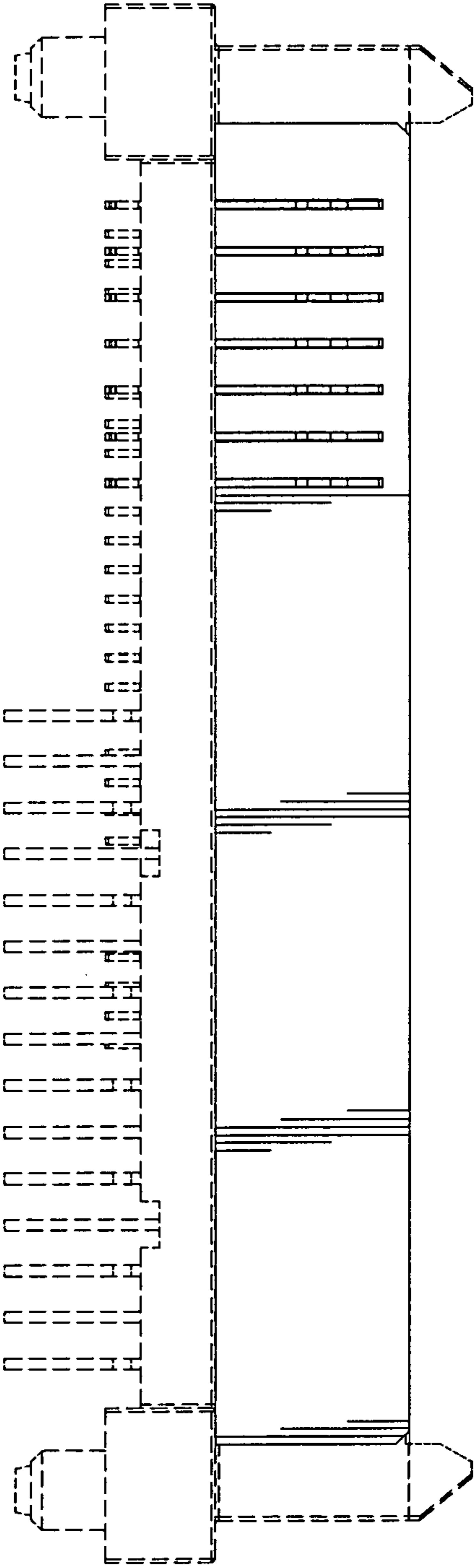


FIG. 4

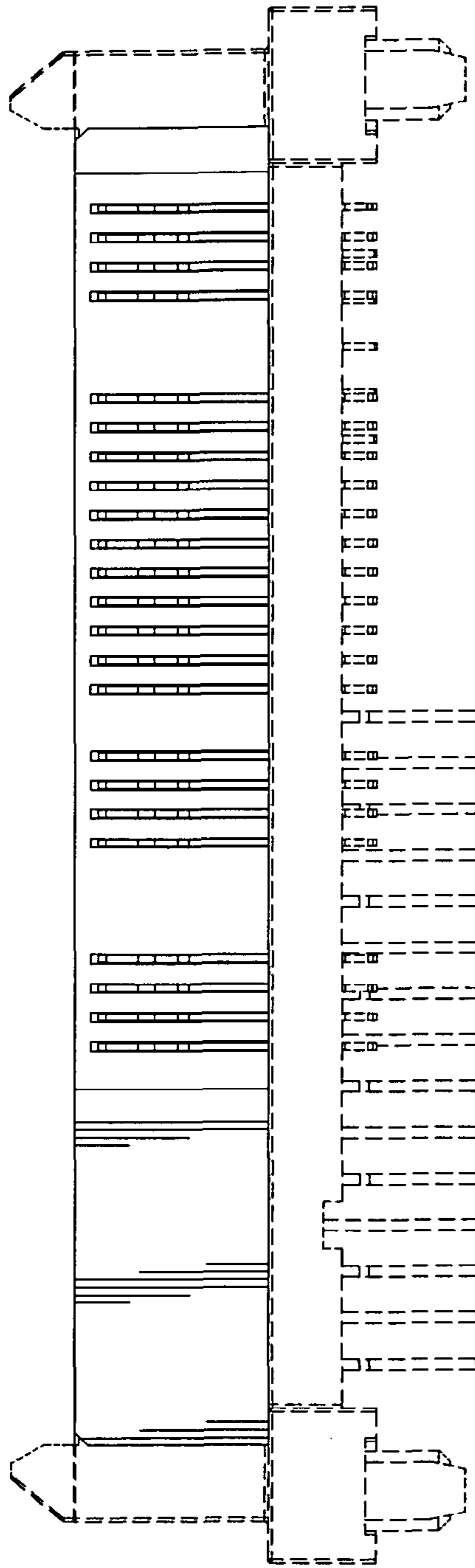


FIG. 5

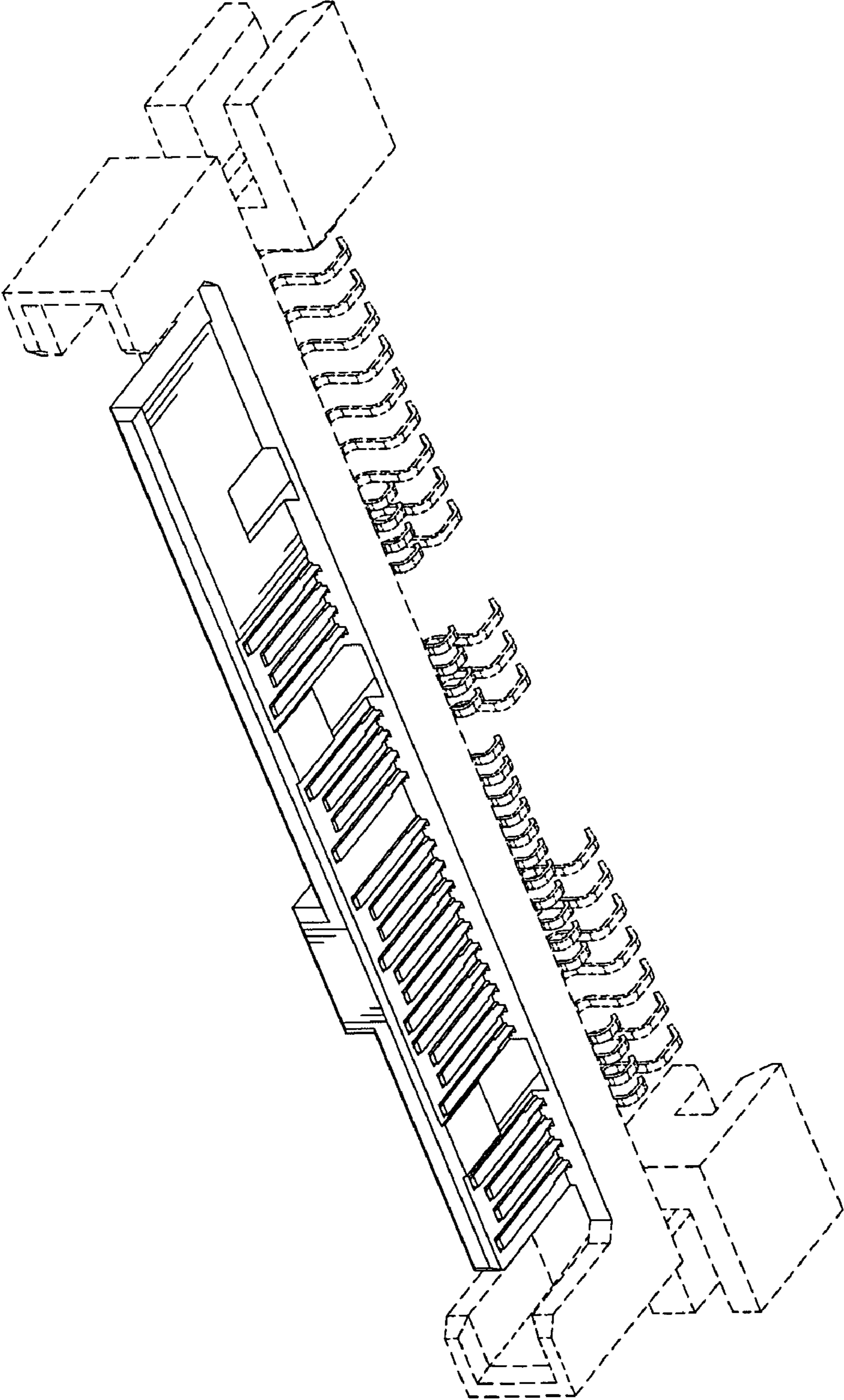


FIG. 6

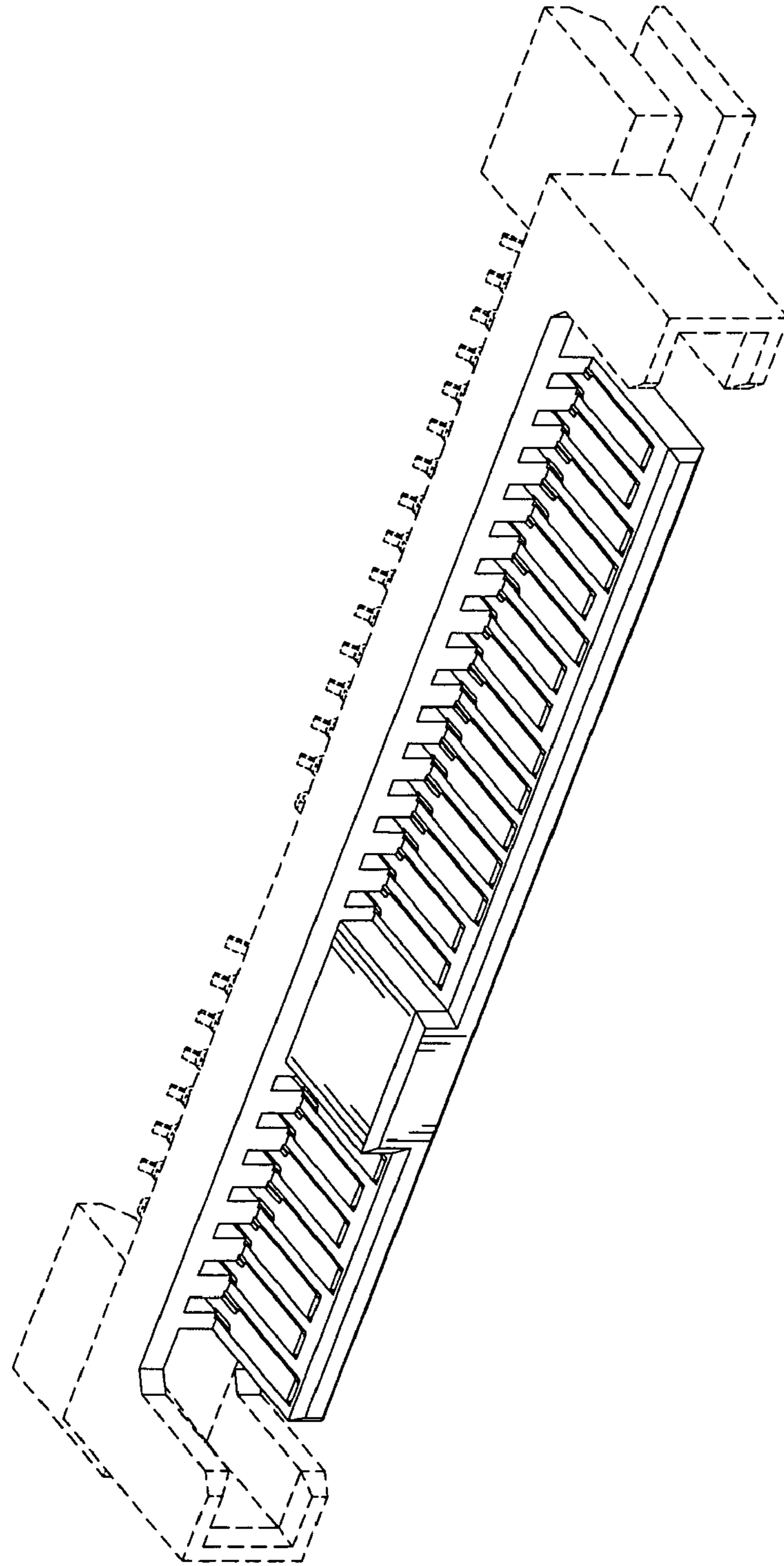


FIG. 7

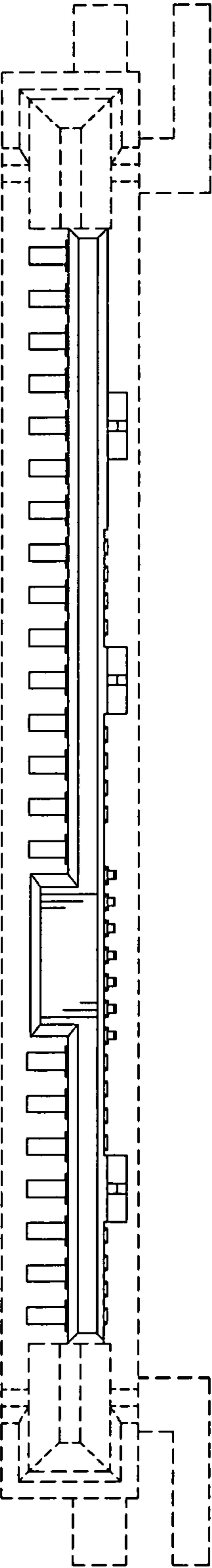


FIG. 8

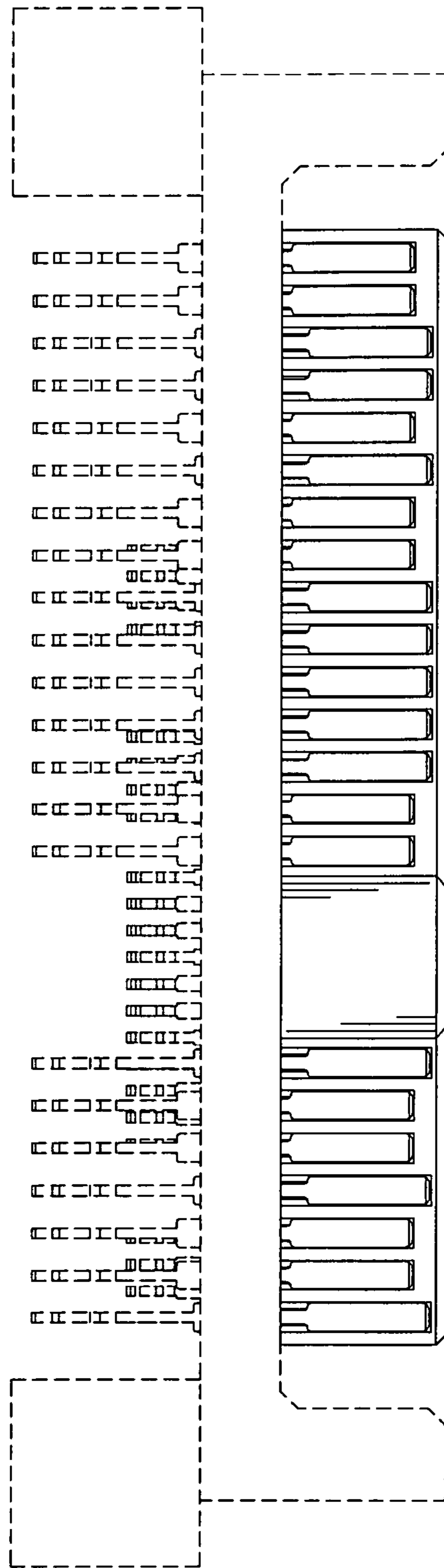


FIG. 9

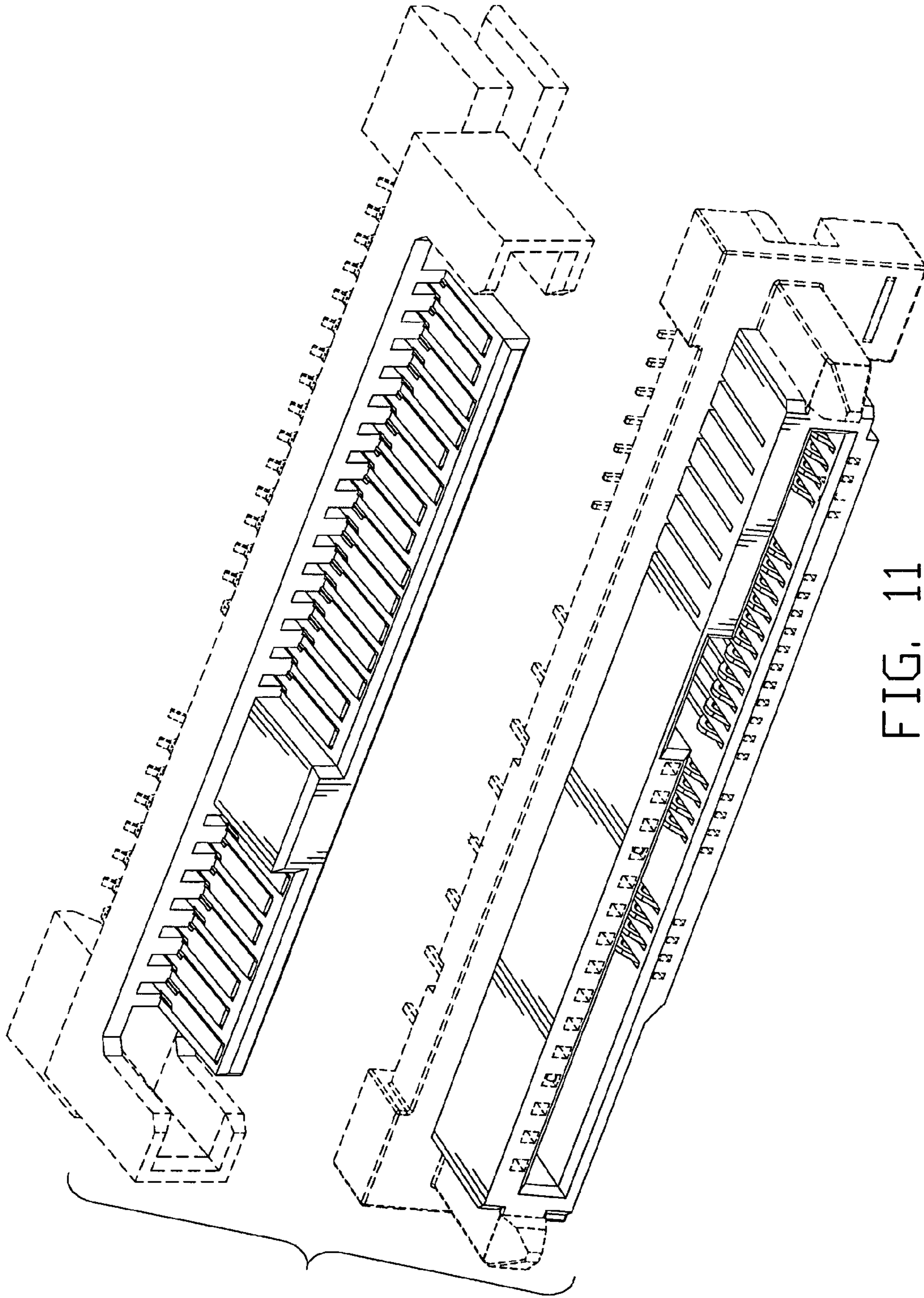


FIG. 11