



US00D637956S

(12) **United States Design Patent**  
**Yuan et al.**

(10) **Patent No.:** **US D637,956 S**

(45) **Date of Patent:** **\*\* May 17, 2011**

(54) **ELECTRICAL CONNECTOR**

(75) Inventors: **Wei Yuan**, Shenzhen (CN); **Yu Luo**,  
Shenzhen (CN)

(73) Assignee: **Hon Hai Precision Ind. Co., Ltd.**, New  
Taipei (TW)

(\*\*) Term: **14 Years**

(21) Appl. No.: **29/364,179**

(22) Filed: **Jun. 21, 2010**

(51) **LOC (9) Cl.** ..... **13-03**

(52) **U.S. Cl.** ..... **D13/147**

(58) **Field of Classification Search** ..... D13/147,  
D13/154, 184; 439/79, 607.01, 607.04, 607.05,  
439/607.17, 607.25, 607.34, 607.41, 607.53,  
439/540.1, 541.5, 660, 680, 686

See application file for complete search history.

(56) **References Cited**

**U.S. PATENT DOCUMENTS**

D455,127 S \* 4/2002 Wu ..... D13/147  
D578,480 S \* 10/2008 Zhu et al. .... D13/147

D595,233 S \* 6/2009 Yang ..... D13/147  
D609,185 S \* 2/2010 Yuan et al. .... D13/147  
D617,281 S \* 6/2010 Chen et al. .... D13/147

\* cited by examiner

*Primary Examiner* — Daniel D Bui

(74) *Attorney, Agent, or Firm* — Wei Te Chung; Andrew C.  
Cheng; Ming Chieh Chang

(57) **CLAIM**

The ornamental design for an electrical connector, as shown.

**DESCRIPTION**

FIG. 1 is a front side perspective view of an electrical con-  
nector showing our new design;

FIG. 2 is a front elevational view of FIG. 1;

FIG. 3 is a rear elevational view of FIG. 1;

FIG. 4 is a left side elevational view of FIG. 1;

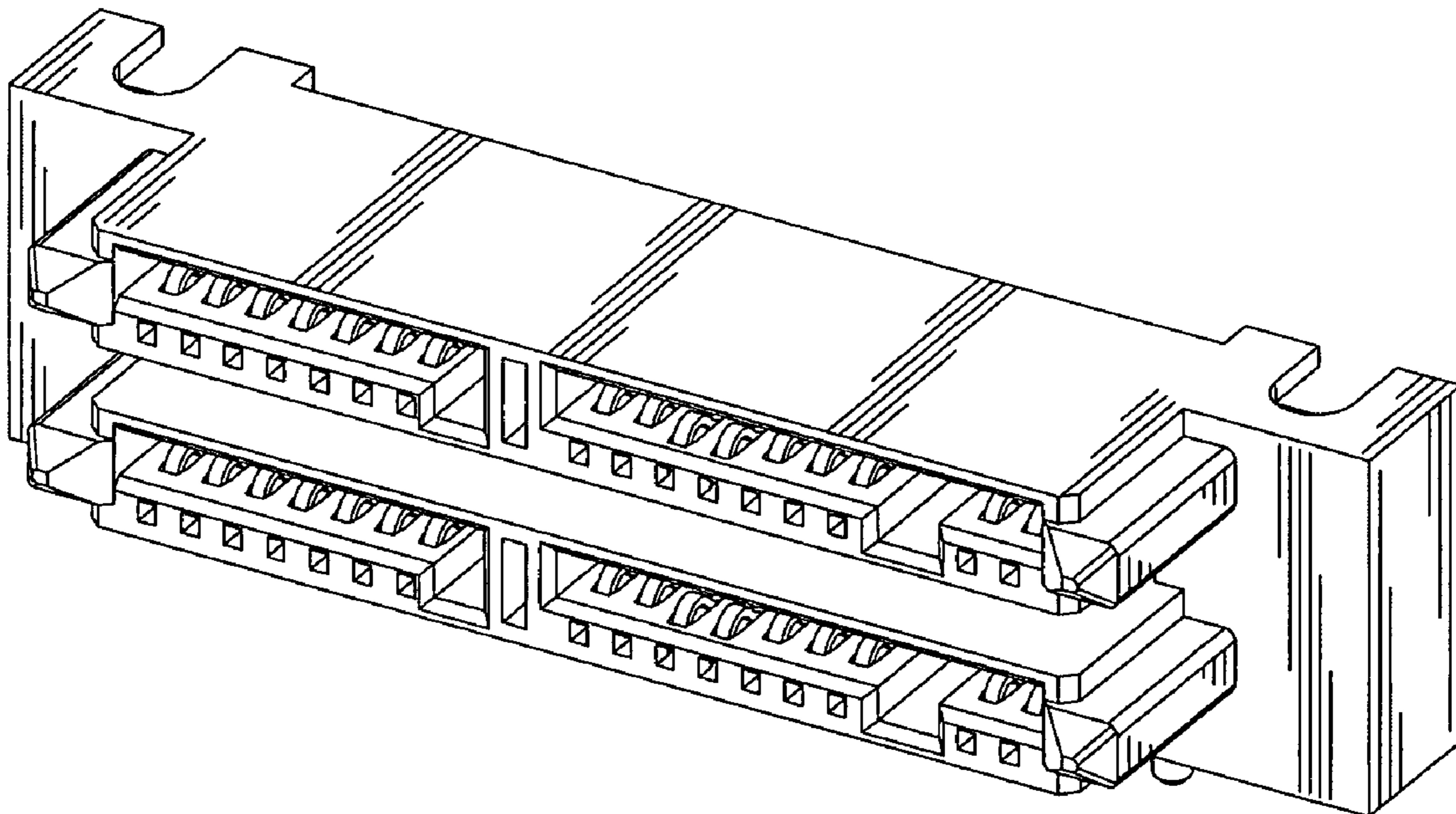
FIG. 5 is a right side elevational view of FIG. 1;

FIG. 6 is a top plan view of FIG. 1; and,

FIG. 7 is a bottom plan of FIG. 1.

The broken line shown in FIGS. 3, 6 and 7 is included to show  
unclaimed subject matter only and forms no part of the  
claimed design.

**1 Claim, 7 Drawing Sheets**



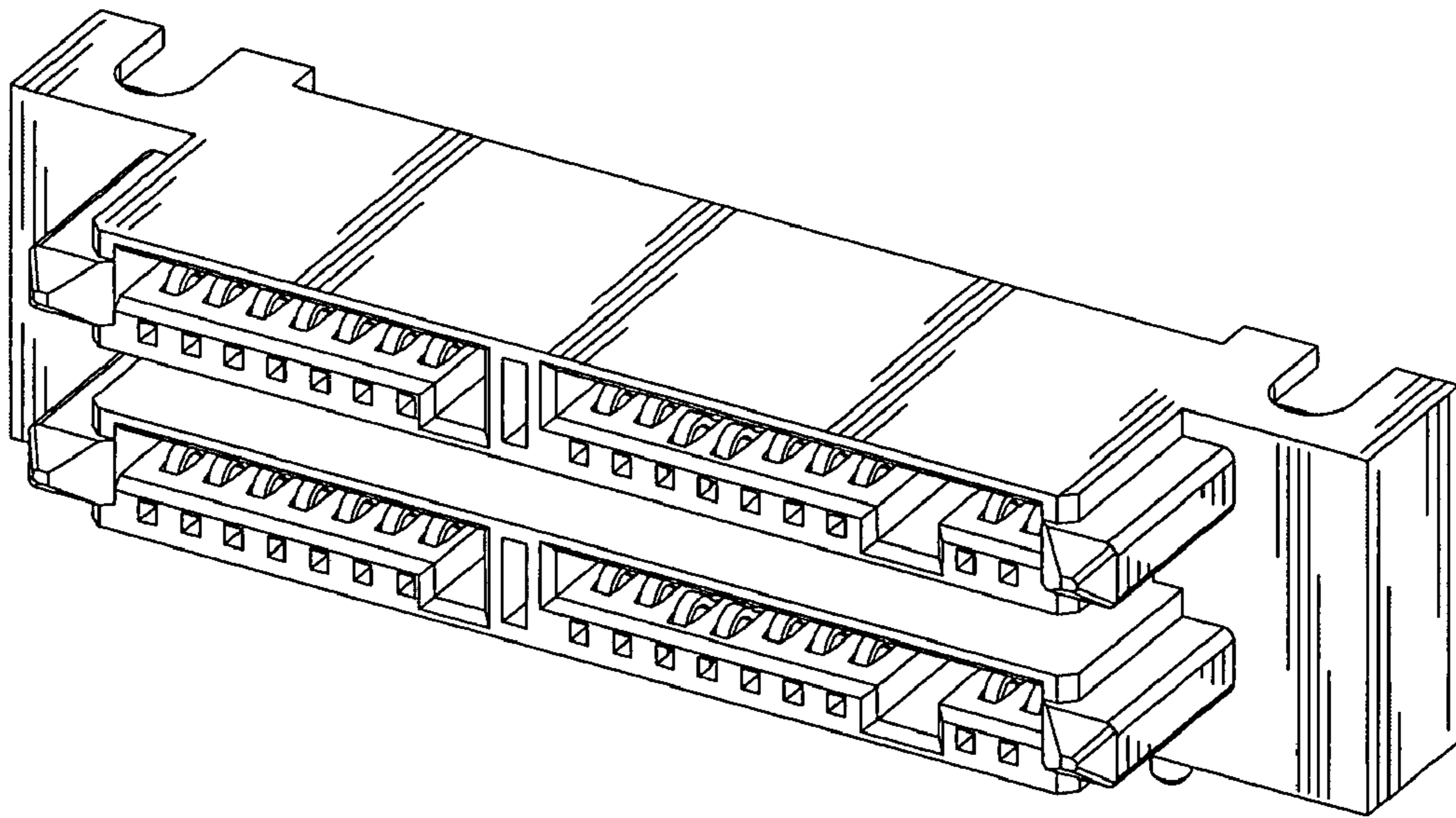


FIG. 1

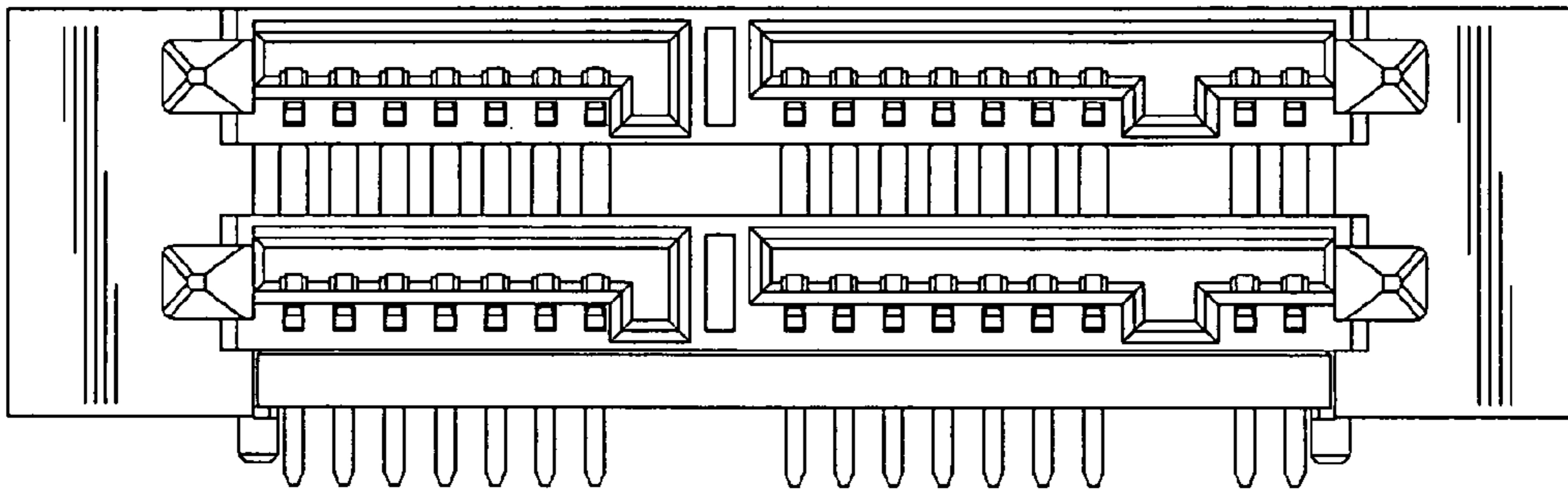


FIG. 2

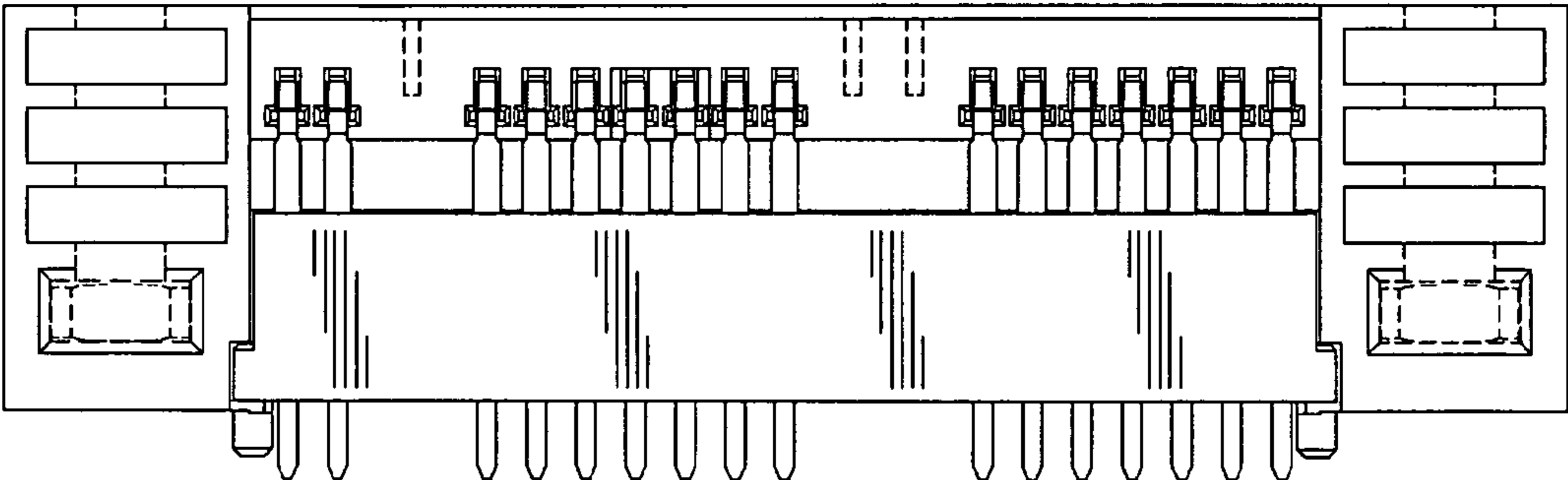


FIG. 3

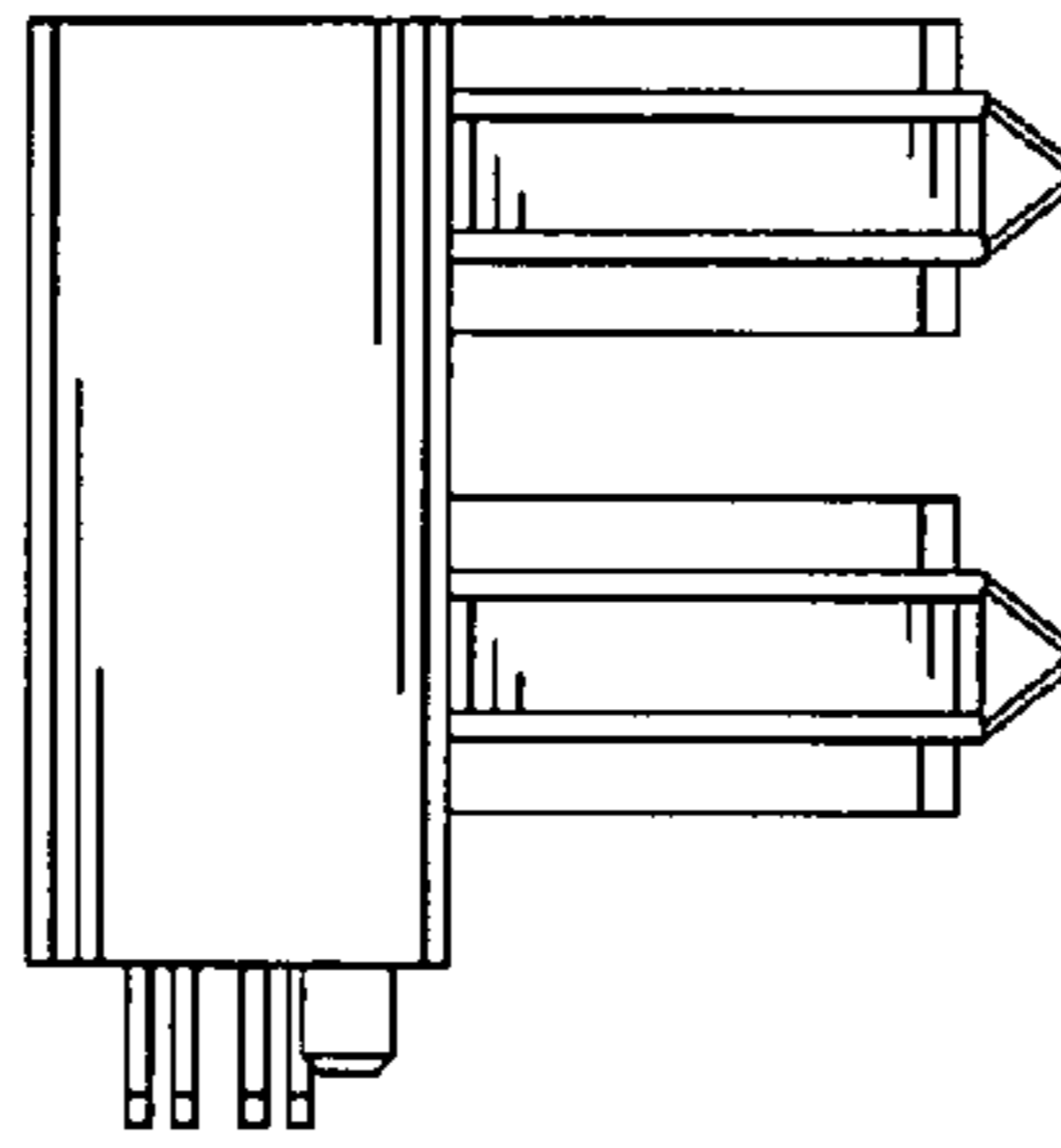


FIG. 4

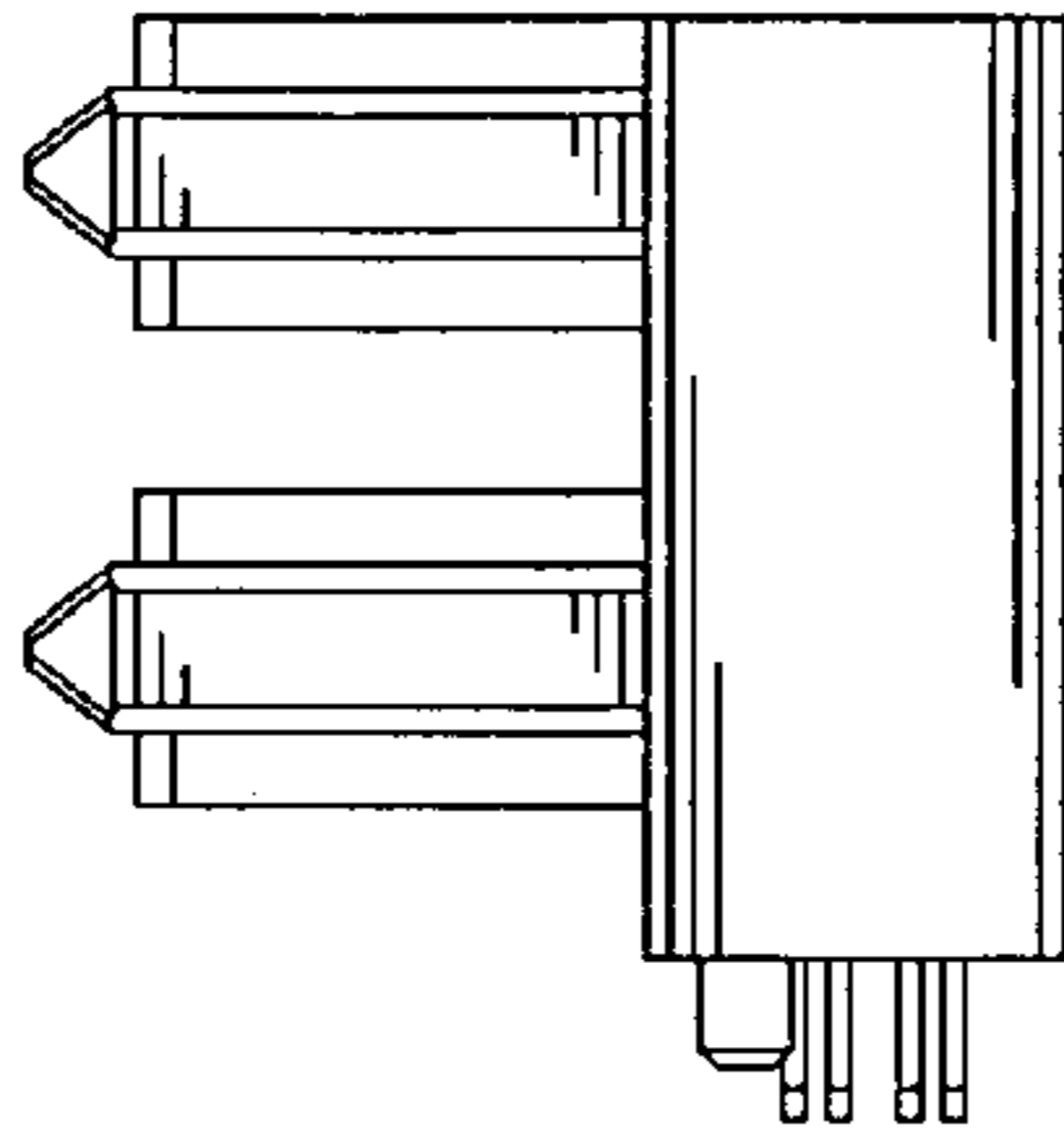


FIG. 5

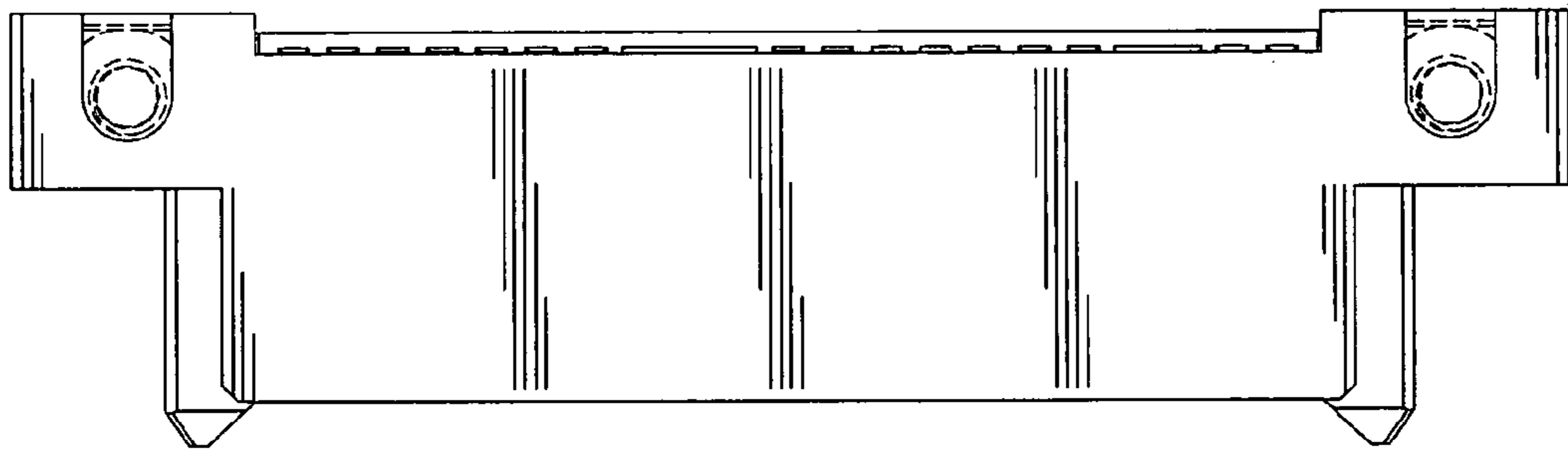


FIG. 6

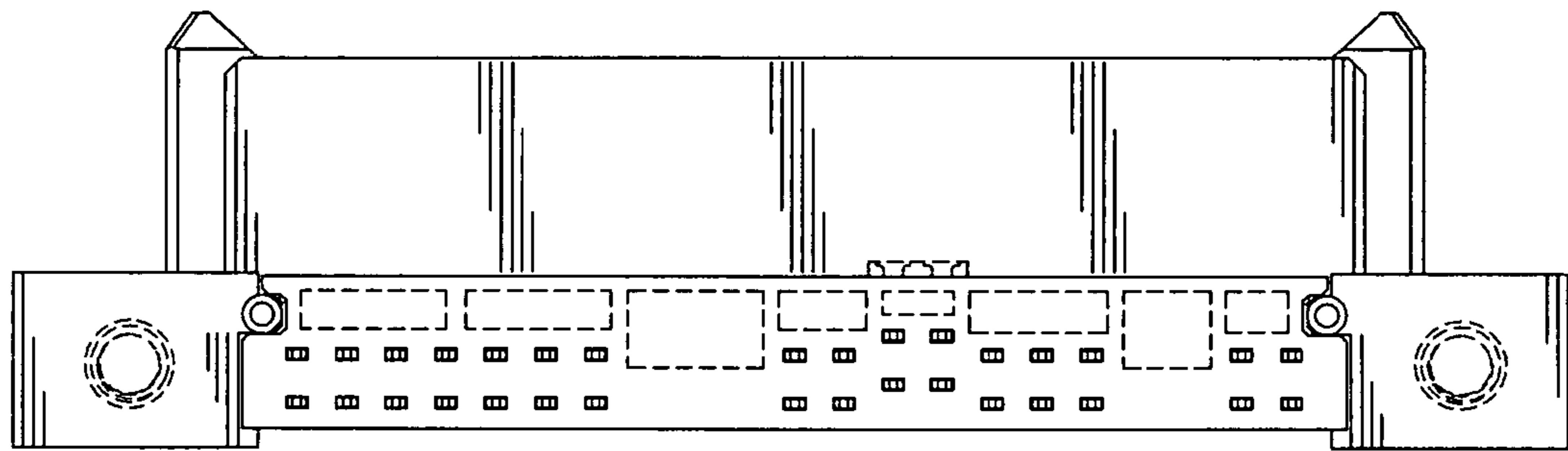


FIG. 7