



US00D637954S

(12) **United States Design Patent**
Munk-Hansen et al.

(10) **Patent No.:** **US D637,954 S**

(45) **Date of Patent:** **** May 17, 2011**

(54) **WIND TURBINE**

(75) Inventors: **Thorkil Munk-Hansen**, Give (DK);
Claus Nybroe, Stenstrup (DE); **Henrik Stiesdal**, Odense C (DE)

(73) Assignee: **Siemens Aktiengesellschaft**, Munich (DE)

(**) Term: **14 Years**

(21) Appl. No.: **29/360,759**

(22) Filed: **Apr. 30, 2010**

(30) **Foreign Application Priority Data**

Dec. 17, 2009 (EM) 001187371

(51) **LOC (9) Cl.** **13-01**

(52) **U.S. Cl.** **D13/115**

(58) **Field of Classification Search** D13/115,
D13/101, 199; D15/1, 199; 290/43, 44;
415/4.1, 4.3, 4.5, 56.3, 122.1; 416/9, 12,
416/23, 24, 32, 37, 38, 44, 115, 117, 132 B,
416/132 R, 142, 169, 196 A, 197 A

See application file for complete search history.

(56) **References Cited**

U.S. PATENT DOCUMENTS

D271,303 S *	11/1983	Ovelmen	D15/1
4,498,017 A *	2/1985	Parkins	290/44
5,354,175 A *	10/1994	Coleman et al.	416/9
D517,986 S *	3/2006	Wobben	D13/115
D584,686 S *	1/2009	Gudewer	D13/115

* cited by examiner

Primary Examiner — Stella M Reid
Assistant Examiner — Derrick Holland

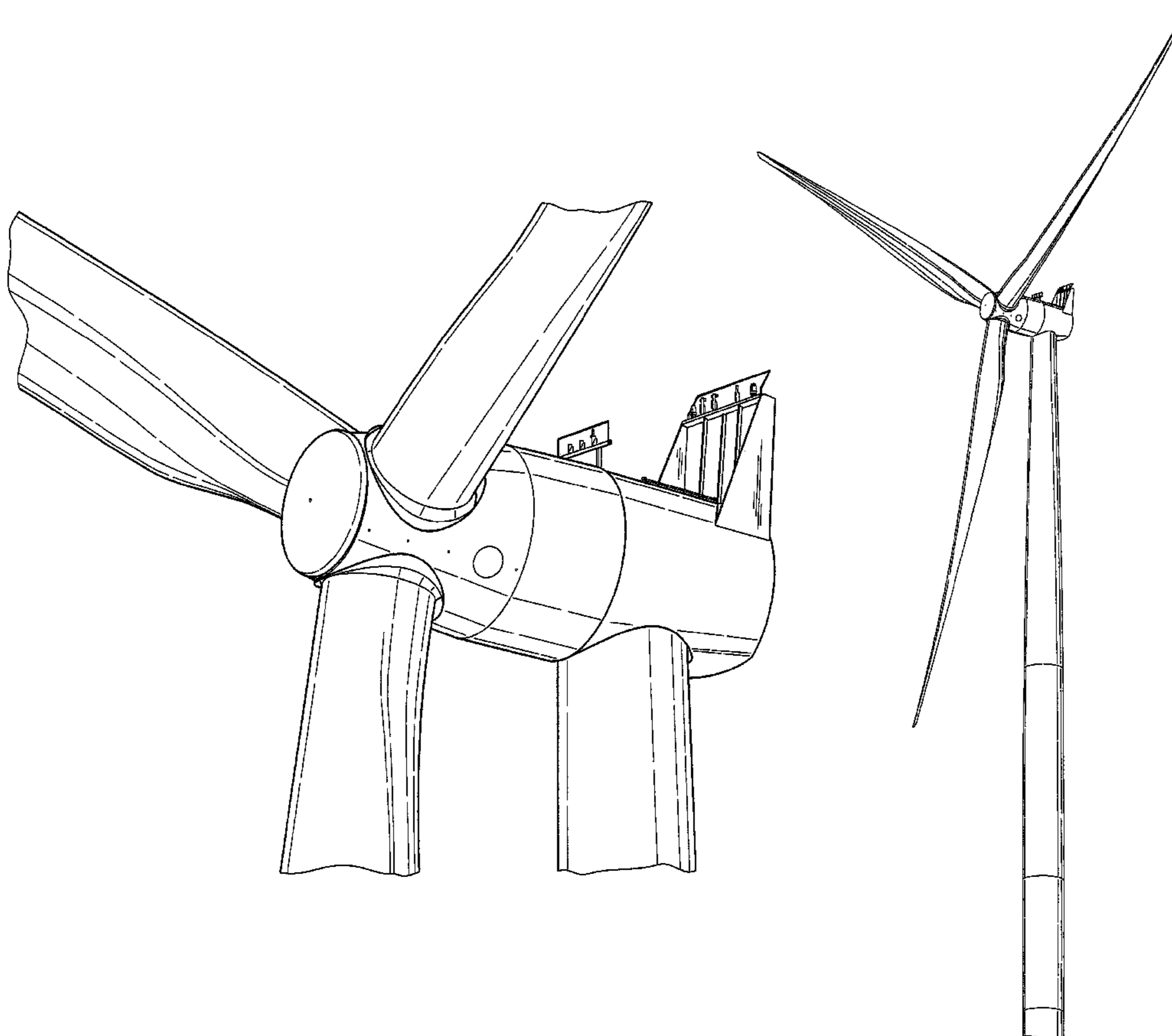
(57) **CLAIM**

The ornamental design for a wind turbine, as shown and described.

DESCRIPTION

FIG. 1 is an enlarged rear elevation view of a wind turbine showing our new design with the vanes and pole shown broken away for ease of illustration; FIG. 2 is a top plan view thereof; FIG. 3 is a left side elevation view thereof; FIG. 4 is a left side perspective view thereof; and, FIG. 5 is another left side perspective view thereof, with the vanes and pole shown in a complete configuration. The broken lines shown represent unclaimed subject matter and form no part of the claimed design.

1 Claim, 5 Drawing Sheets



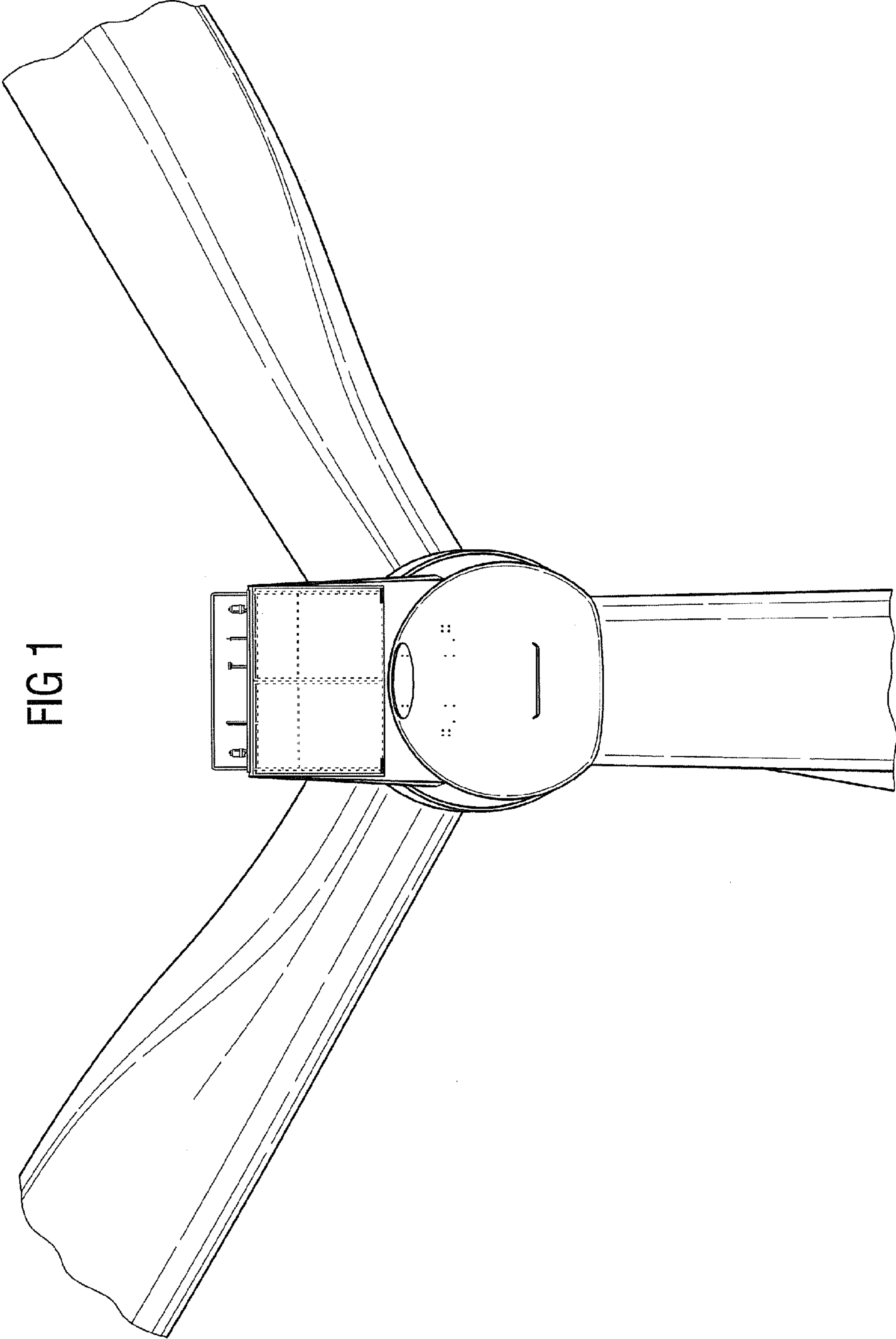


FIG 1

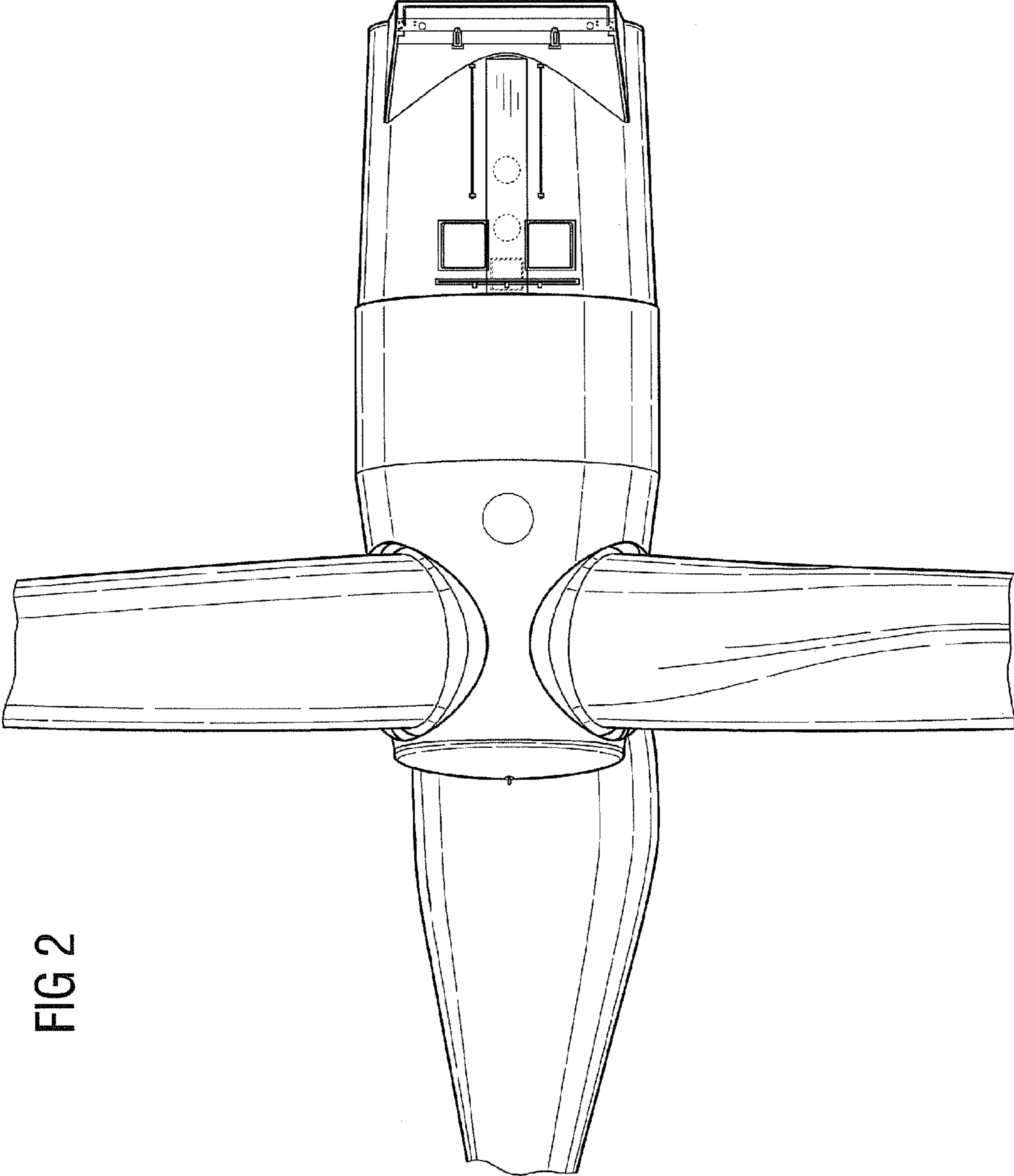
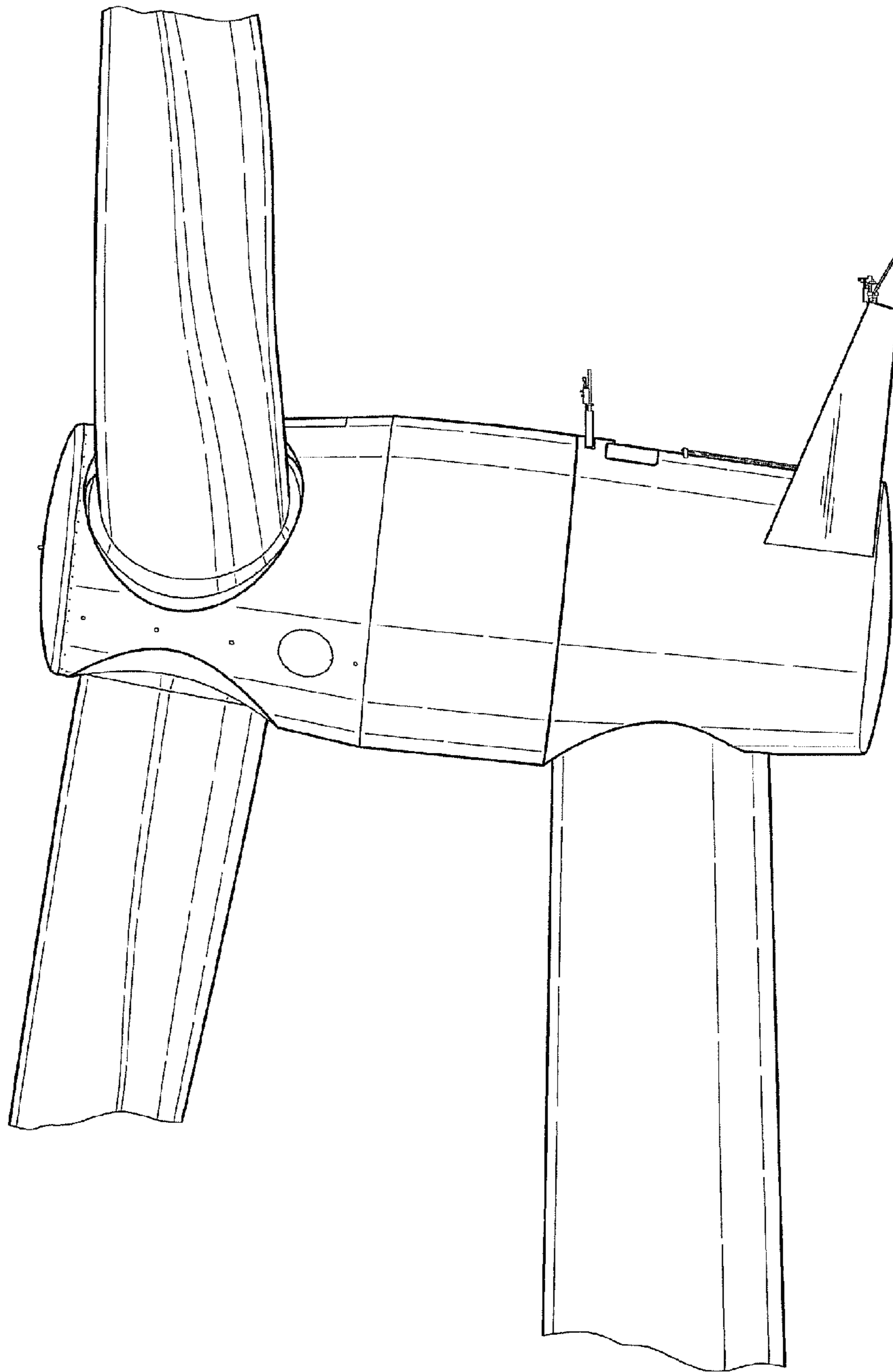


FIG 2

FIG 3



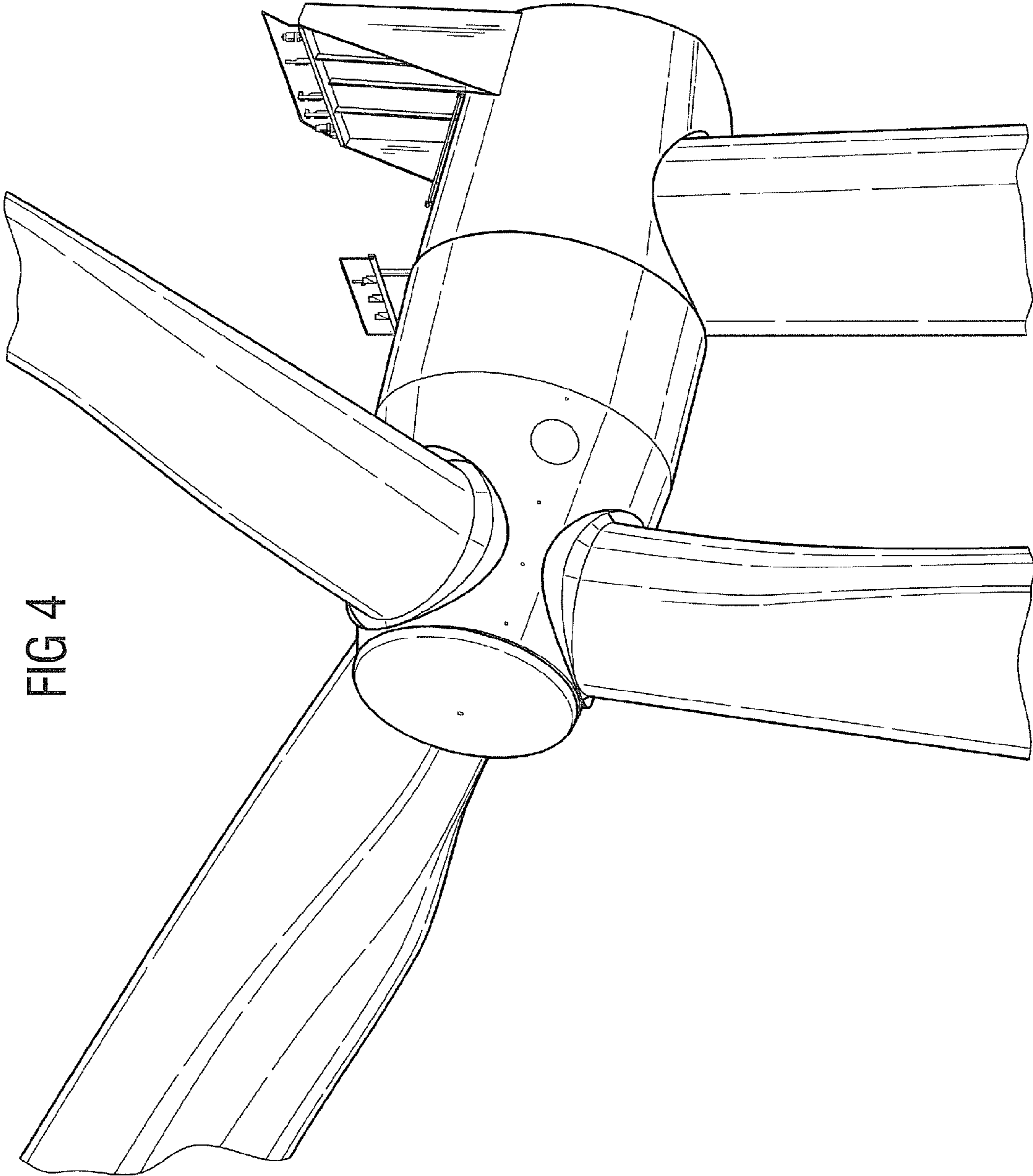


FIG 4

FIG 5

