



US00D637952S

(12) **United States Design Patent**
Tan

(10) **Patent No.:** **US D637,952 S**

(45) **Date of Patent:** **** May 17, 2011**

(54) **PORTABLE PHONE HOLDER AND SOLAR CHARGER**

(75) Inventor: **Qing Song Tan**, Shenzhen (CN)

(73) Assignee: **Santom Ltd**, Shenzhen (CN)

(**) Term: **14 Years**

(21) Appl. No.: **29/376,578**

(22) Filed: **Oct. 8, 2010**

Related U.S. Application Data

(63) Continuation of application No. 12/754,527, filed on Apr. 5, 2010.

(51) **LOC (9) Cl.** **13-02**

(52) **U.S. Cl.** **D13/108; D13/102**

(58) **Field of Classification Search** D13/101-102, D13/107-110, 118-119, 184, 199; D14/251, D14/253, 432, 434; 320/101, 102, 107-115, 320/120; 136/206, 243, 244, 245, 252
See application file for complete search history.

(56) **References Cited**

U.S. PATENT DOCUMENTS

D335,861 S *	5/1993	Tattari	D13/108
D442,141 S *	5/2001	Ikenaga	D13/107
D443,856 S *	6/2001	Lehtovaara	D13/107
D467,225 S *	12/2002	Sudo	D13/102
D479,191 S *	9/2003	Peress et al.	D13/102
6,840,791 B2 *	1/2005	Hsiu	439/374
D537,806 S *	3/2007	Beasley et al.	D14/149
D561,182 S *	2/2008	Jenkins et al.	D14/253
D605,112 S *	12/2009	Chang	D13/107

D606,545 S *	12/2009	Salmon	D14/434
2008/0253066 A1 *	10/2008	Tracy et al.	361/679
2009/0051319 A1 *	2/2009	Fang et al.	320/115

* cited by examiner

Primary Examiner — Rosemary K Tarcza

(74) *Attorney, Agent, or Firm* — Kauth, Pomeroy, Peck & Bailey LLP

(57) **CLAIM**

The ornamental design for portable phone holder and solar charger, as shown and described.

DESCRIPTION

FIG. 1 is a front top right perspective view of the portable phone holder and solar charger of the invention in its closed configuration.

FIG. 2 is a top view thereof.

FIG. 3 is a bottom view thereof.

FIG. 4 is front top right perspective view of the portable phone holder and solar charger of the invention in a first flipped open configuration.

FIG. 5 is a front top right perspective view of the portable phone holder and solar charger of the invention in a second flipped open configuration; and,

FIG. 6 is front top right perspective view of the portable phone holder and solar charger of the invention in the second flipped open configuration shown carrying a phone in phantom.

The broken lines shown in the drawings are included for the purpose of illustrating environmental structure and form no part of the claimed invention.

1 Claim, 6 Drawing Sheets

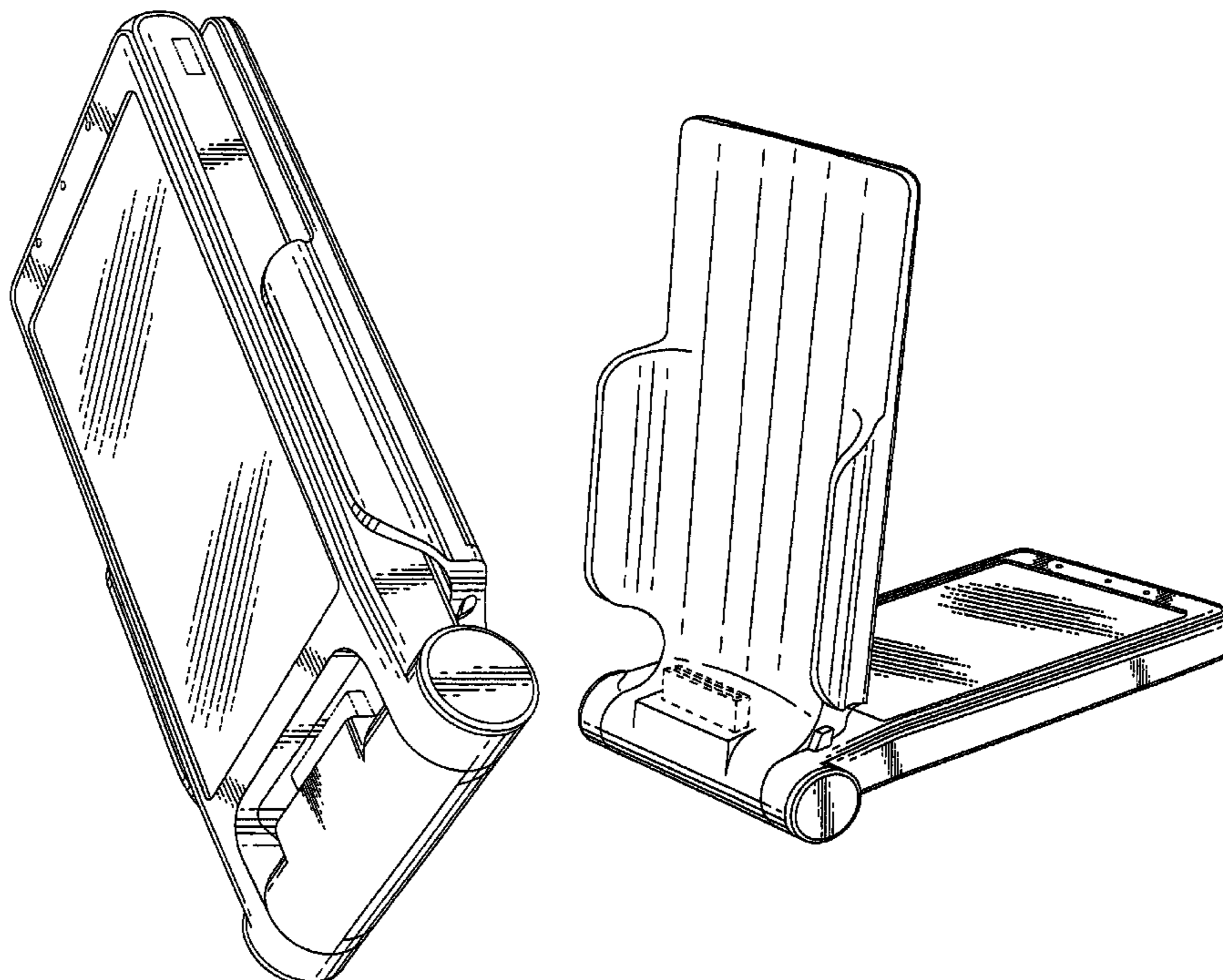


FIG. 1

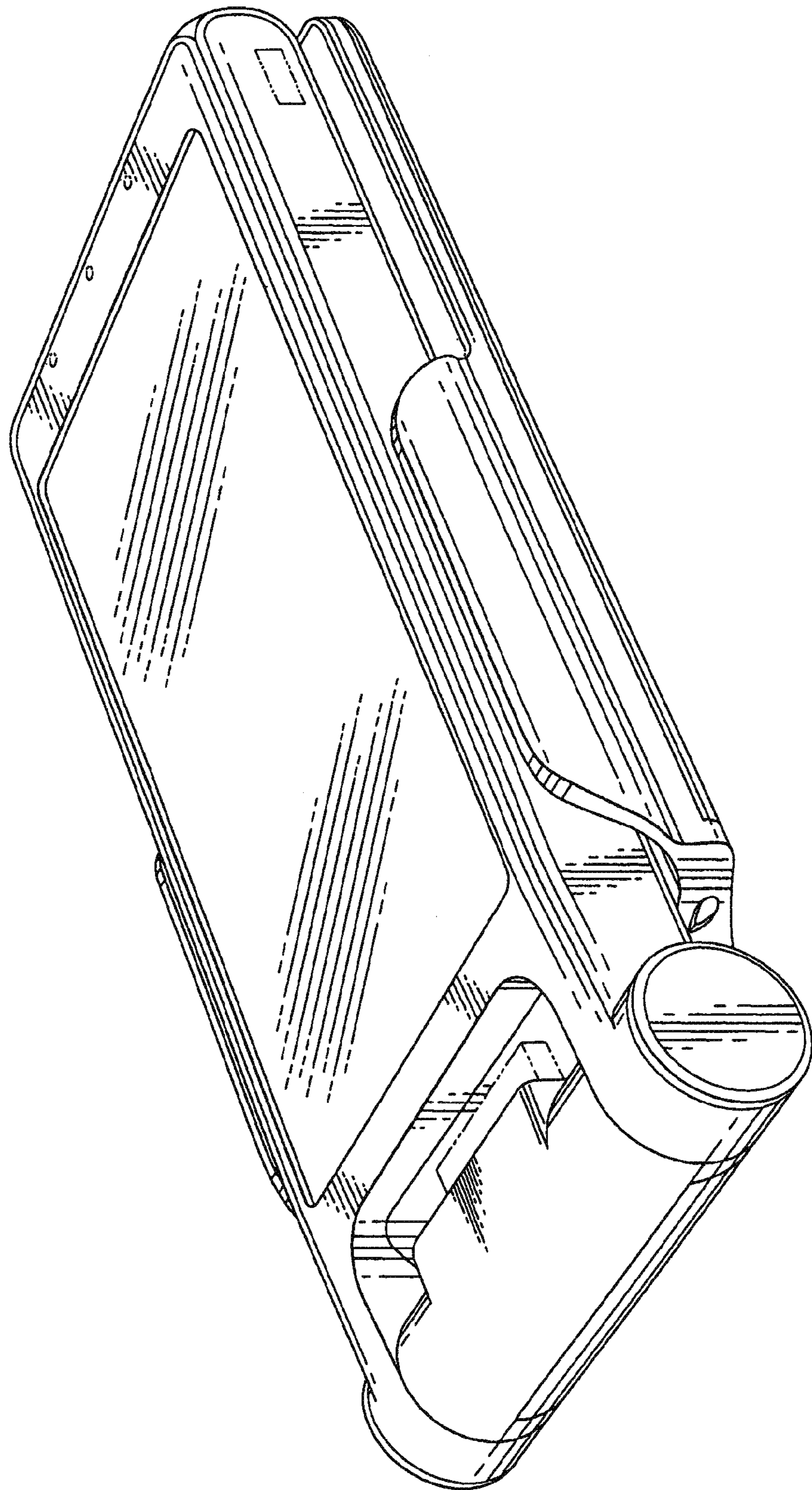


FIG. 2

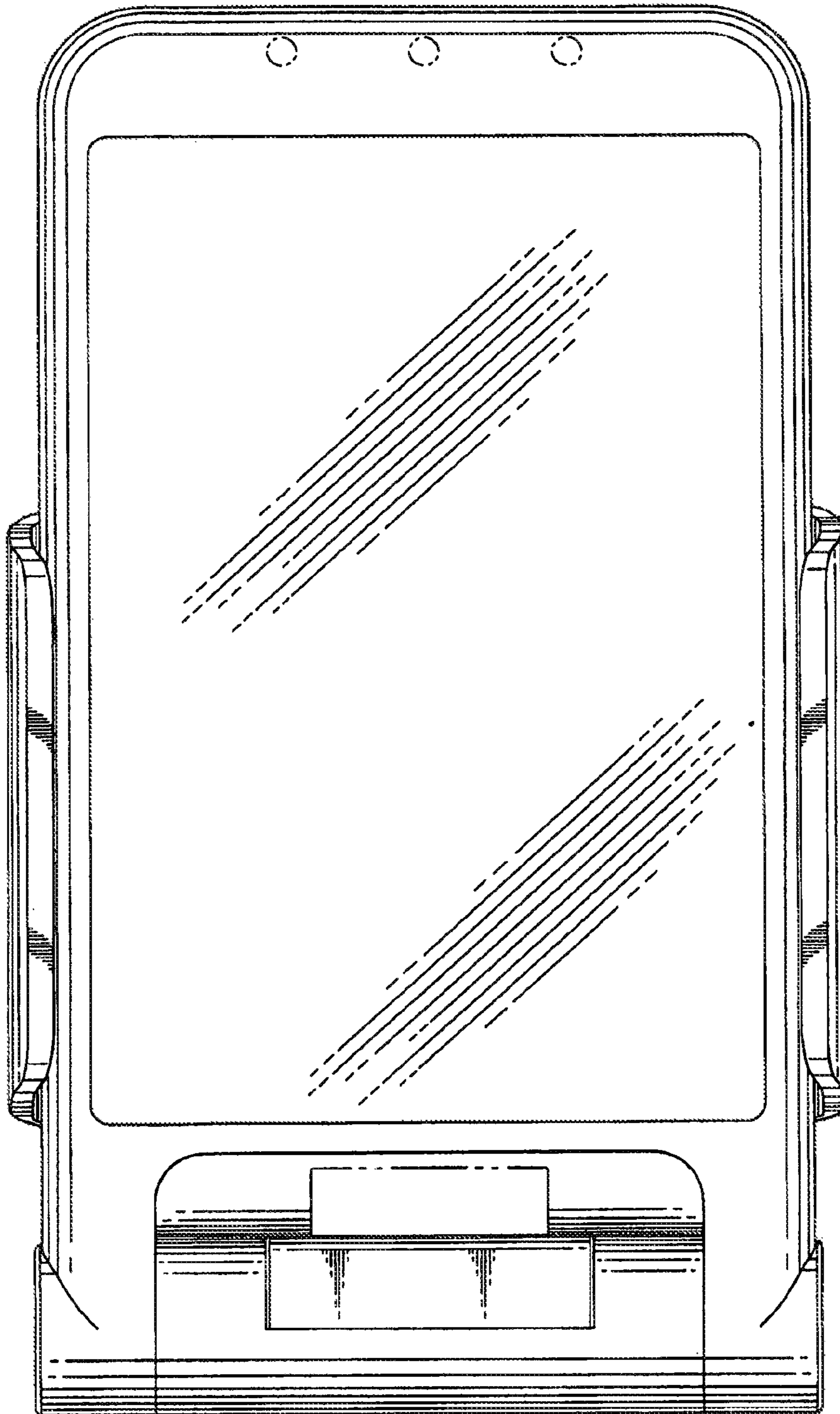


FIG. 3

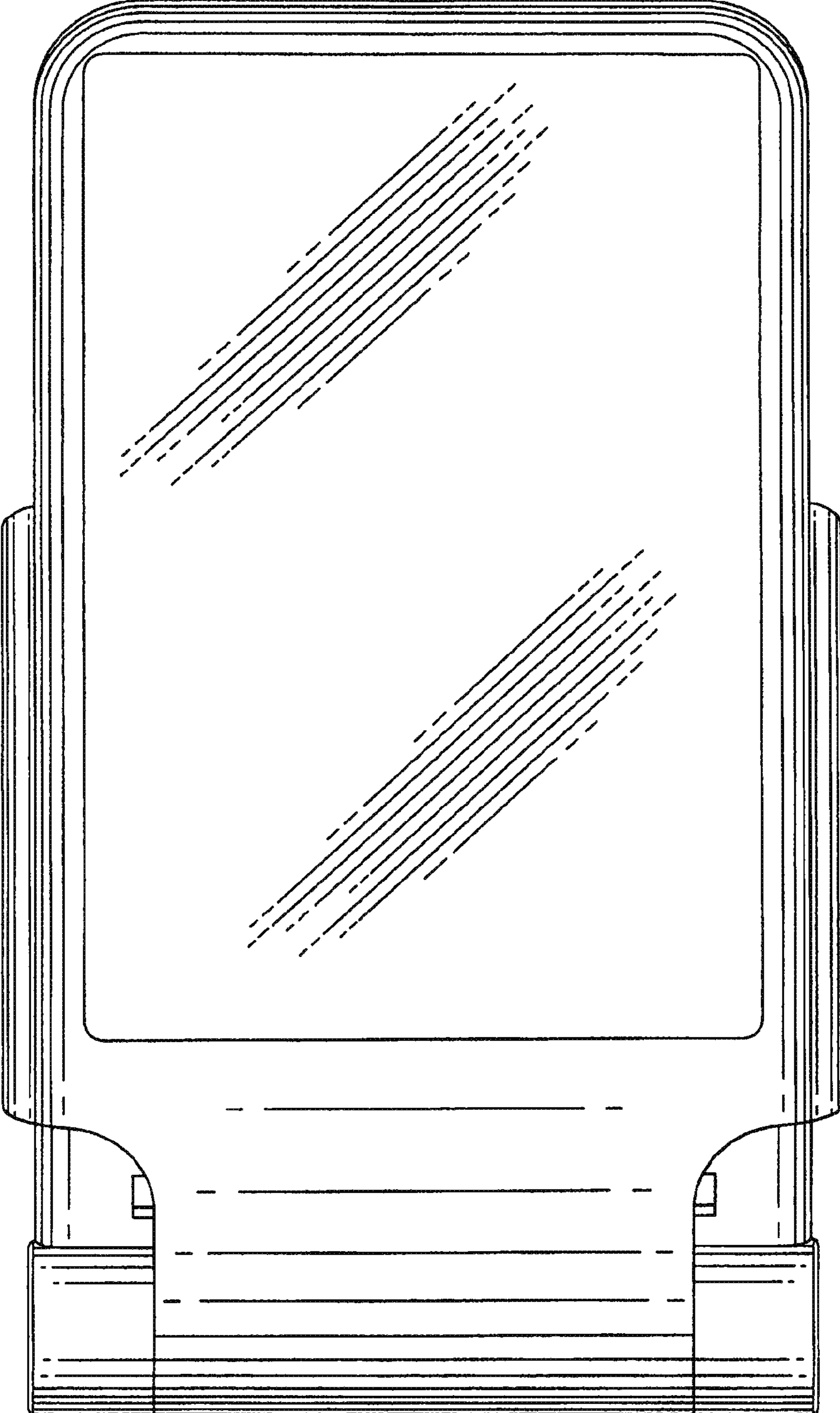
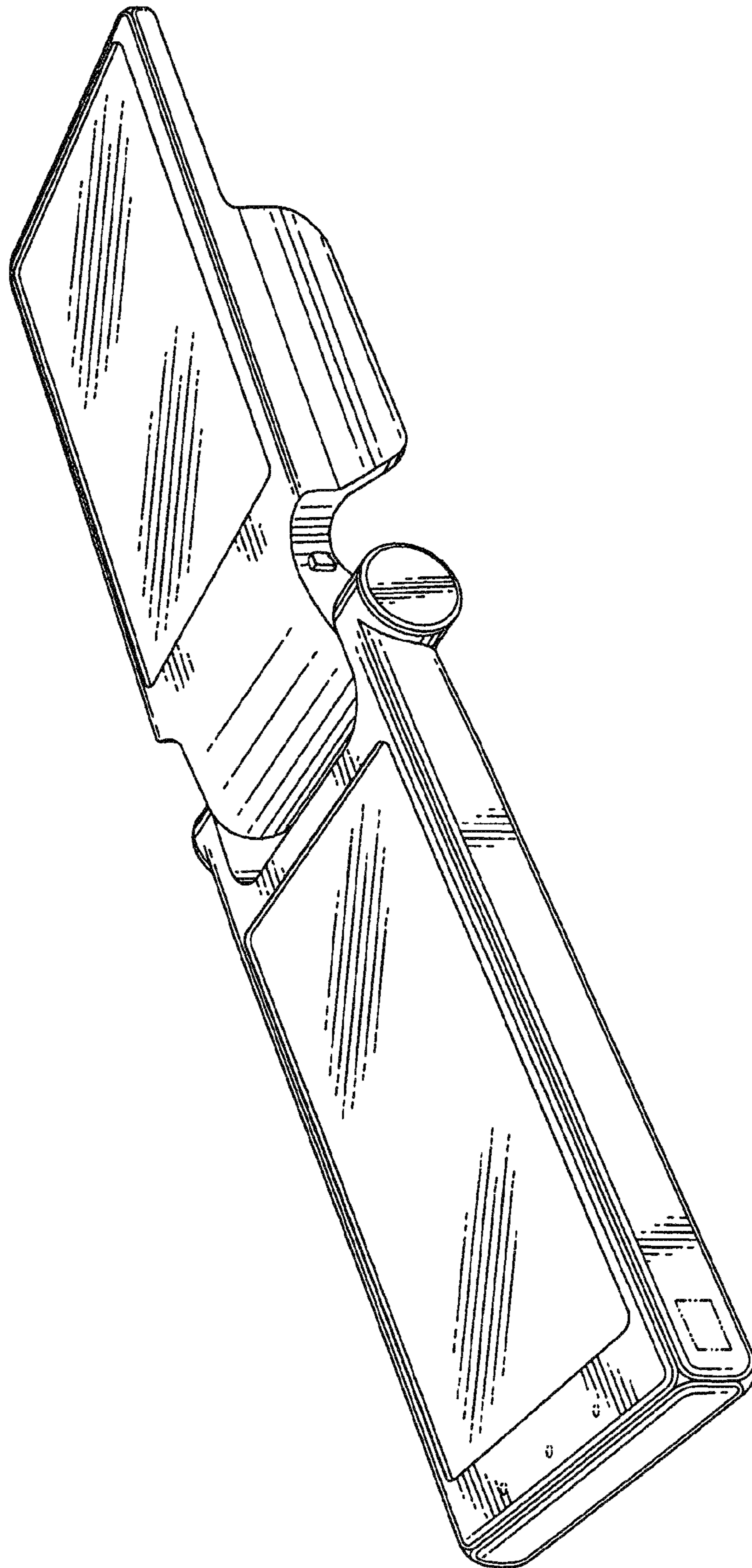


FIG. 4



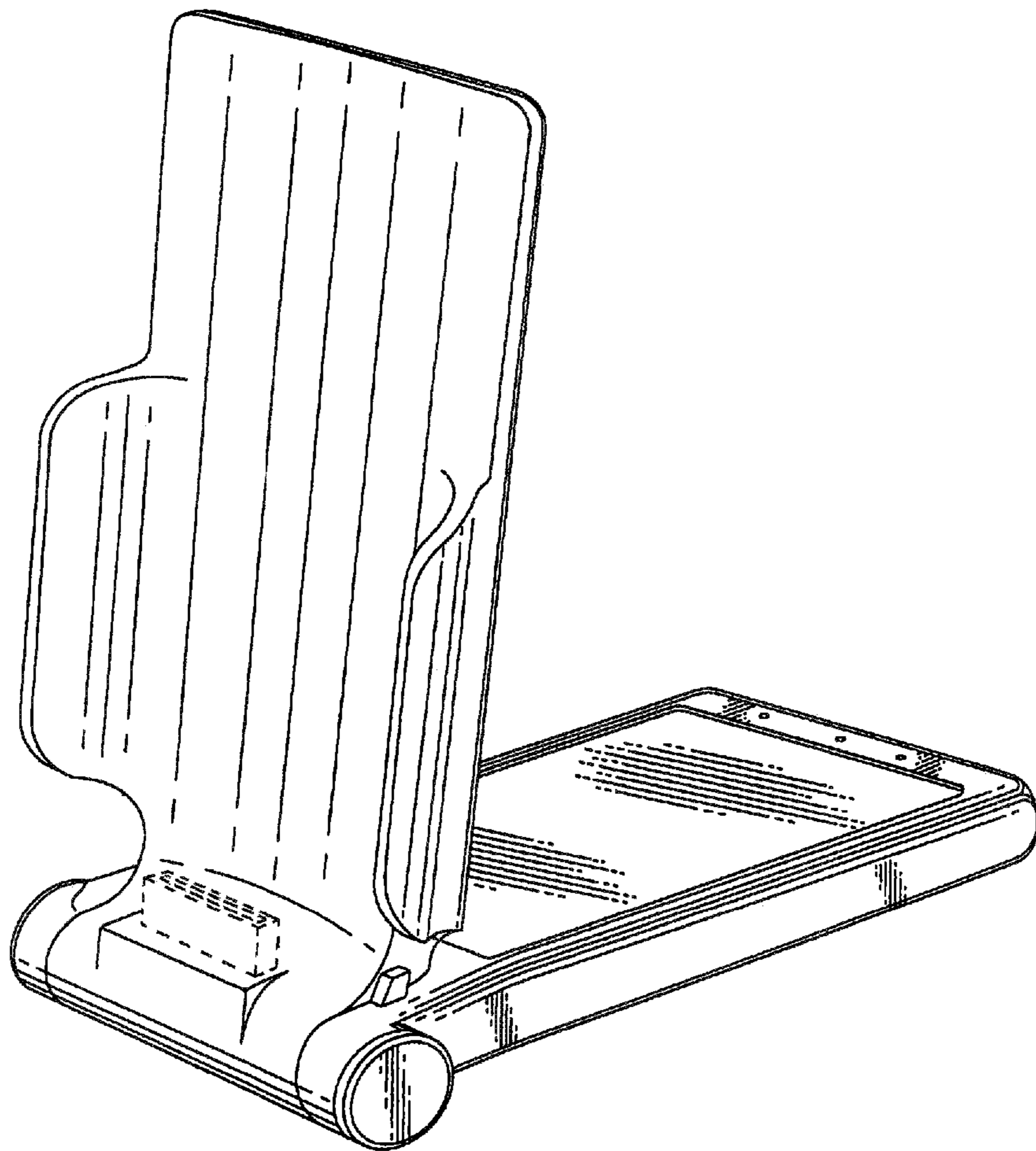


FIG. 5

FIG. 6

