



US00D637951S

(12) **United States Design Patent**  
**Perez**

(10) **Patent No.:** **US D637,951 S**

(45) **Date of Patent:** **\*\* May 17, 2011**

(54) **CHARGING PLATE**

(75) Inventor: **Jose M. Perez**, Helsinki (FI)

(73) Assignee: **Nokia Corporation**, Espoo (FI)

(\*\*) Term: **14 Years**

(21) Appl. No.: **29/366,753**

(22) Filed: **Jul. 29, 2010**

(51) **LOC (9) Cl.** ..... **13-02**

(52) **U.S. Cl.** ..... **D13/108**

(58) **Field of Classification Search** ..... D13/107-110,  
D13/118-119, 184, 199; D14/251, 253,  
D14/432, 434; 320/107-115

See application file for complete search history.

(56) **References Cited**

**U.S. PATENT DOCUMENTS**

D492,946 S	7/2004	Loiske et al.	
D514,147 S	1/2006	Sarasjoki	
D578,961 S *	10/2008	Fisher et al.	D13/108
D589,876 S *	4/2009	Hong et al.	D13/108
D590,770 S	4/2009	Moss	
D611,898 S *	3/2010	Yang	D13/108
D611,899 S *	3/2010	Yang	D13/108
D611,900 S *	3/2010	Yang	D13/108
D630,163 S *	1/2011	Yeh	D13/108

\* cited by examiner

*Primary Examiner* — Rosemary K Tarcza

(74) *Attorney, Agent, or Firm* — Banner & Witcoff, Ltd.

(57) **CLAIM**

The ornamental design for a charging plate, as shown and described.

**DESCRIPTION**

FIG. 1 is a perspective top view of a charging plate showing my new design;

FIG. 2 is a top plan view thereof;

FIG. 3 is a bottom plan view thereof;

FIG. 4 is a right side view thereof;

FIG. 5 is a left side thereof;

FIG. 6 is a front view thereof;

FIG. 7 is a rear view thereof;

FIG. 8 is a perspective top view of a charging plate showing my new design;

FIG. 9 is a top plan view thereof;

FIG. 10 is a bottom plan view thereof;

FIG. 11 is a right side view thereof;

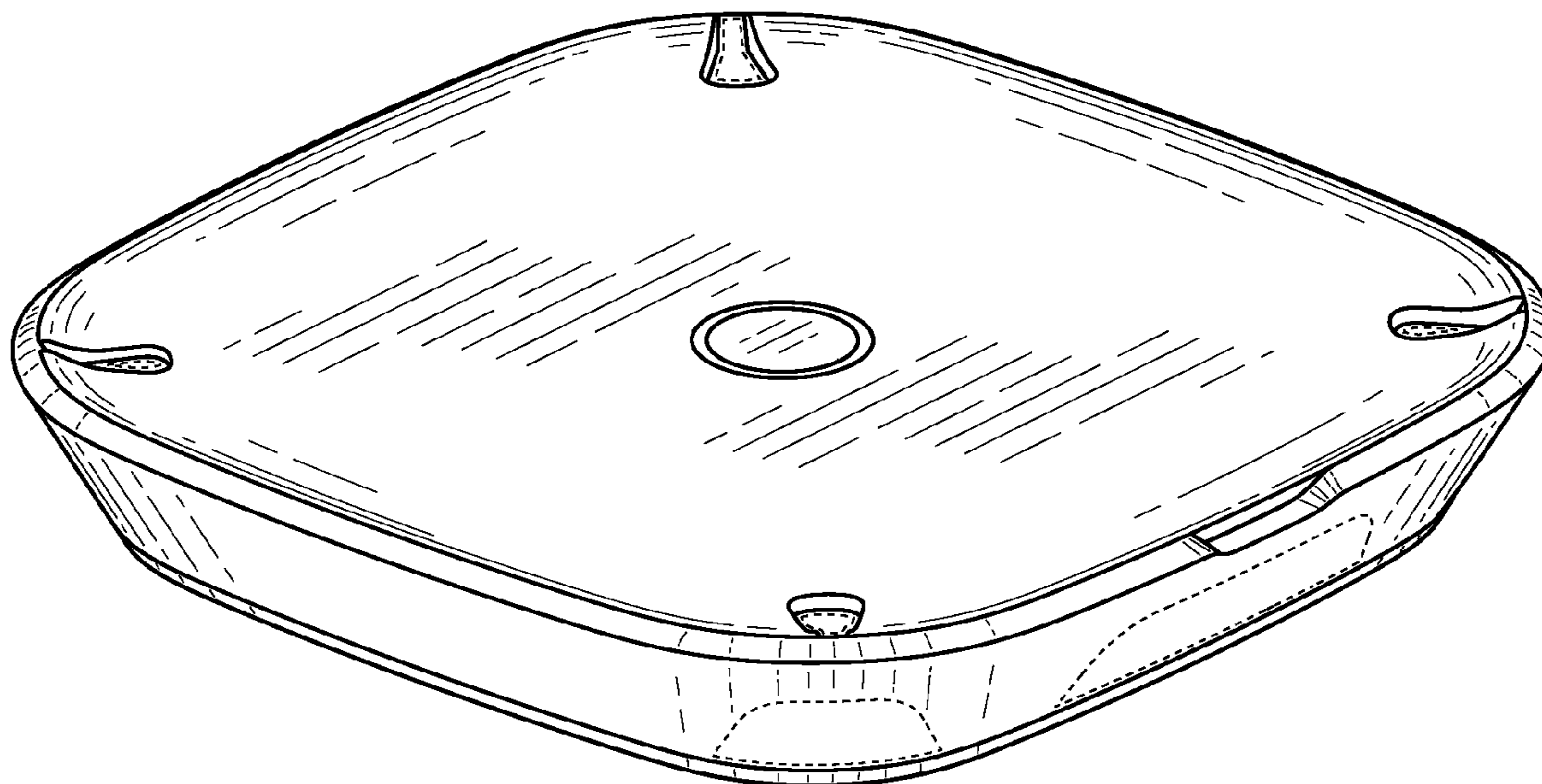
FIG. 12 is a left side view thereof;

FIG. 13 is a front view thereof; and,

FIG. 14 is a rear view thereof.

The broken line showing of various regions in FIGS. 1-7 is for illustrative purposes only and forms no part of the claimed design.

**1 Claim, 10 Drawing Sheets**



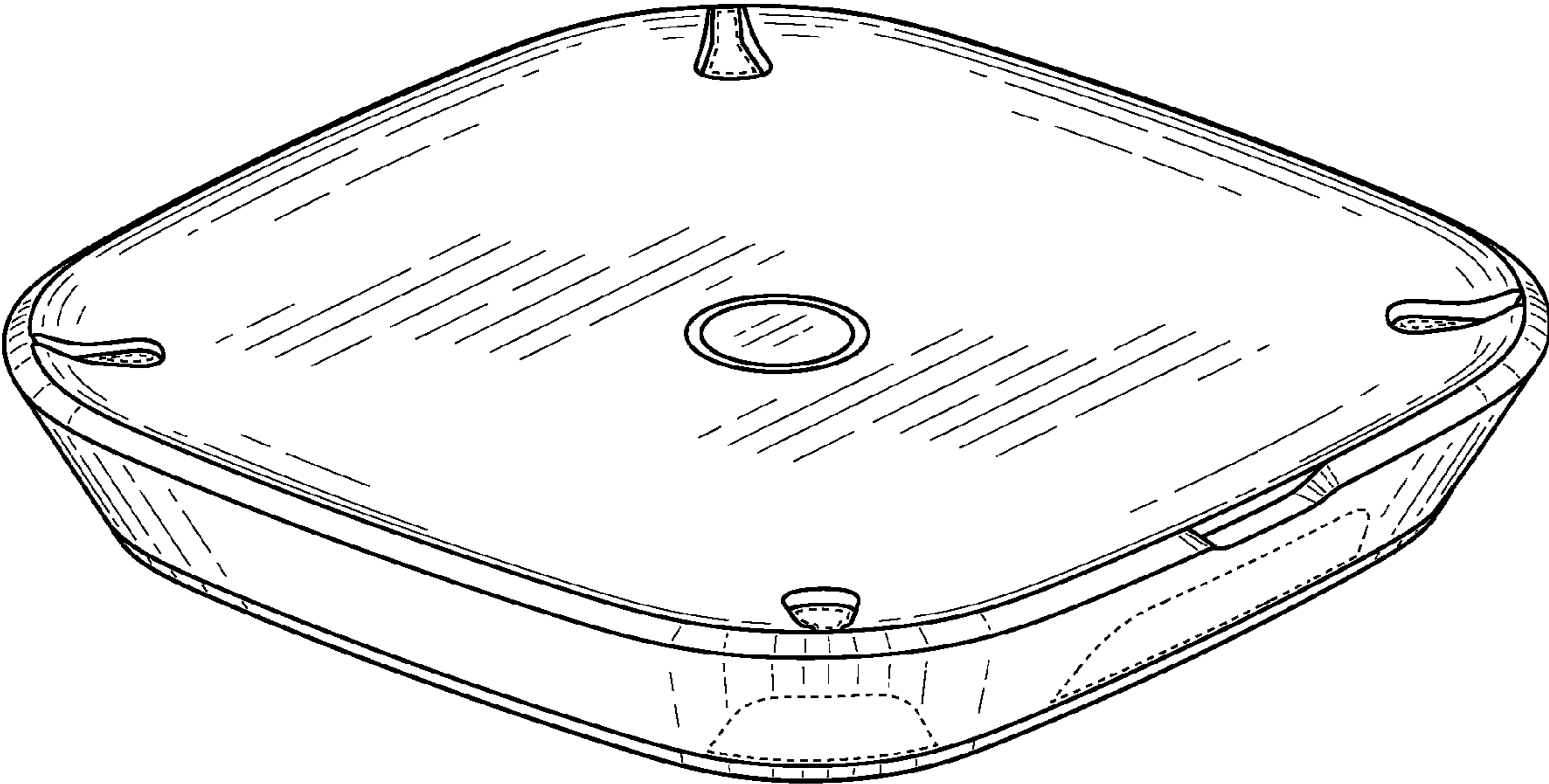


FIG. 1

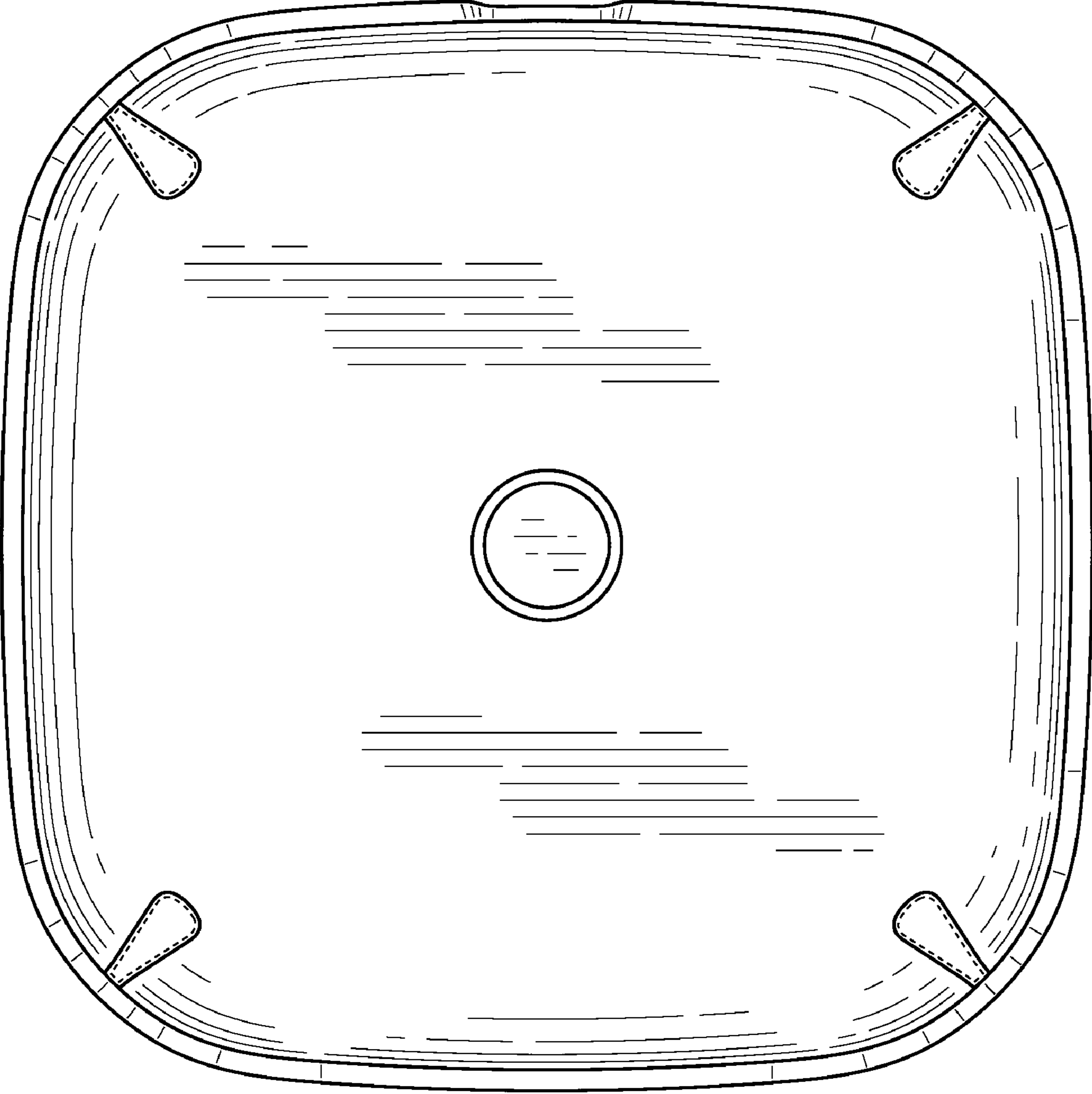


FIG. 2

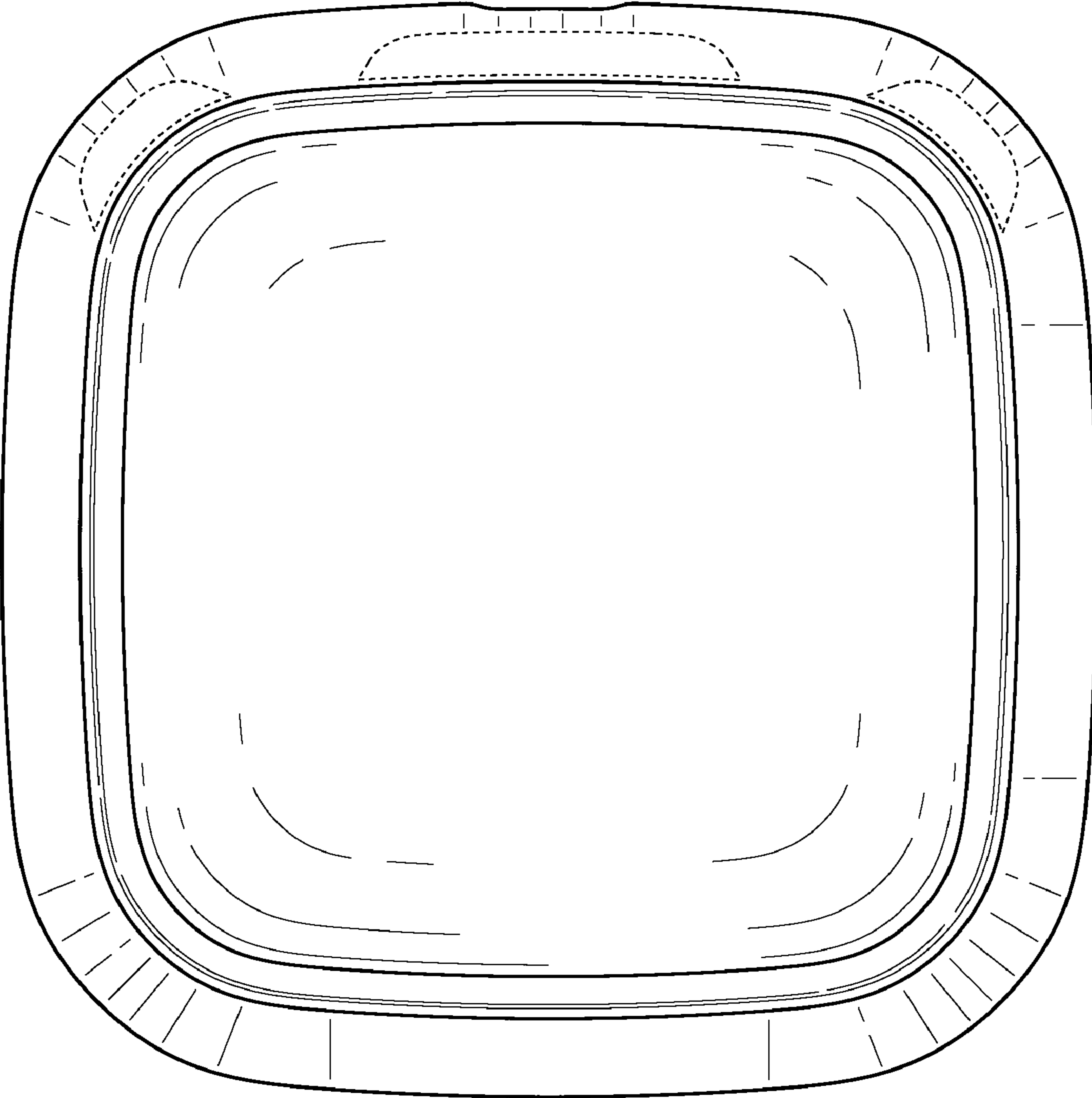


FIG. 3

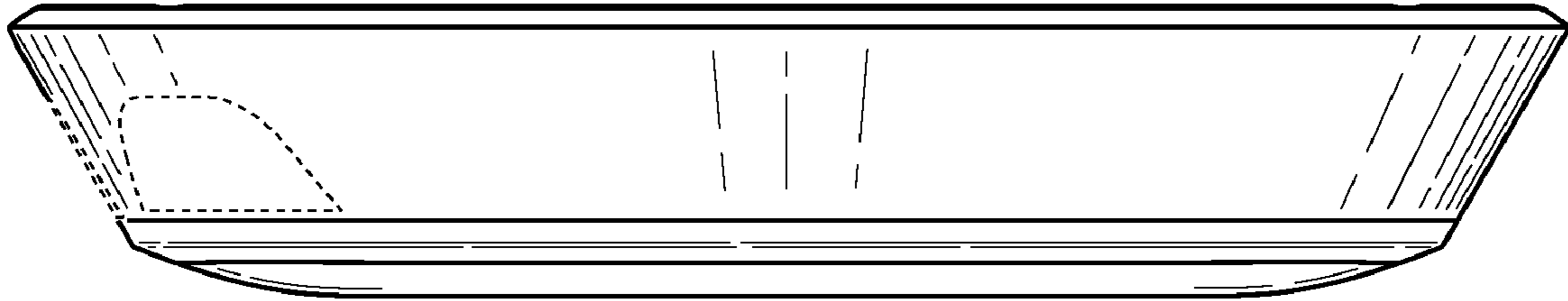


FIG. 4

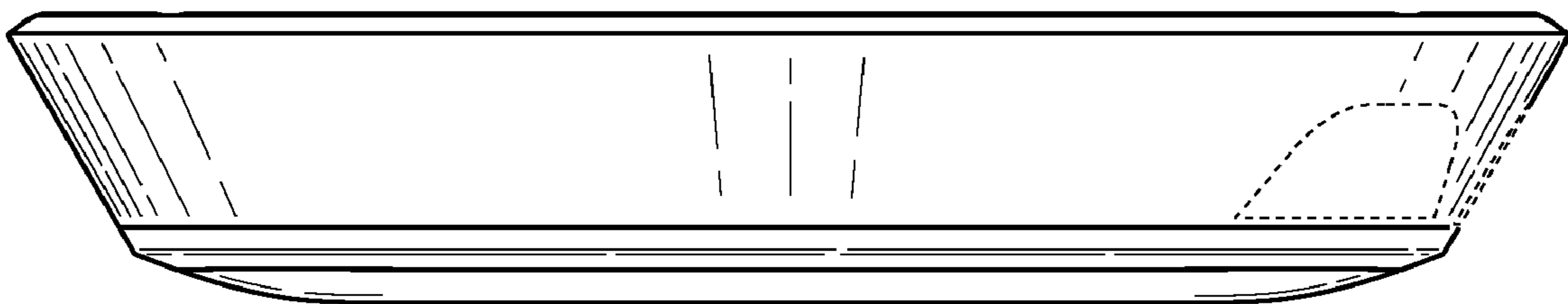


FIG. 5

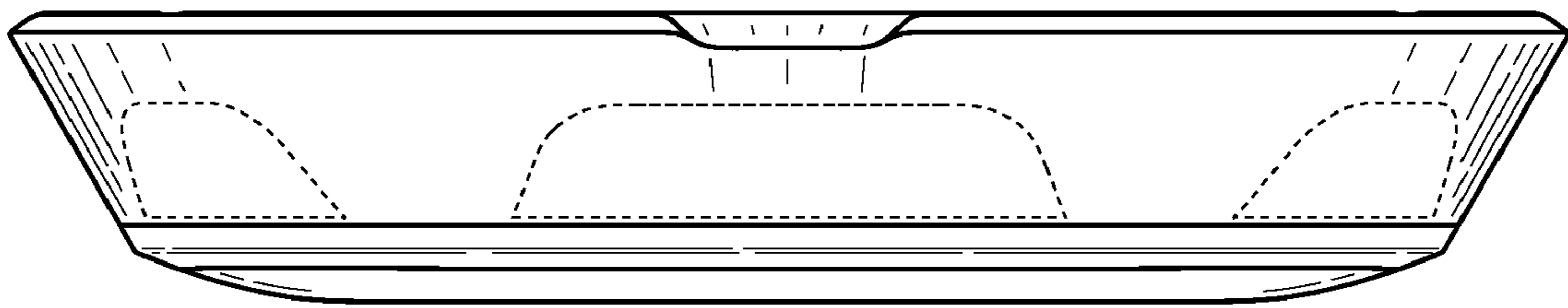


FIG. 6

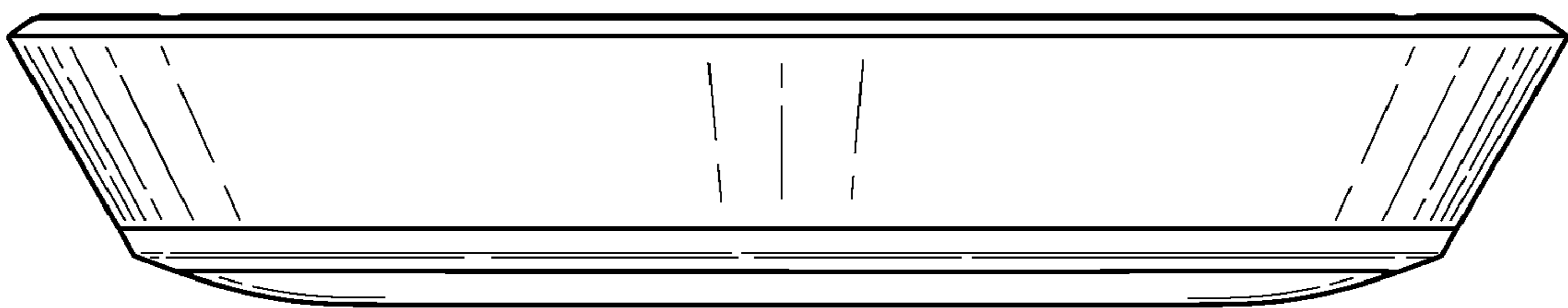


FIG. 7

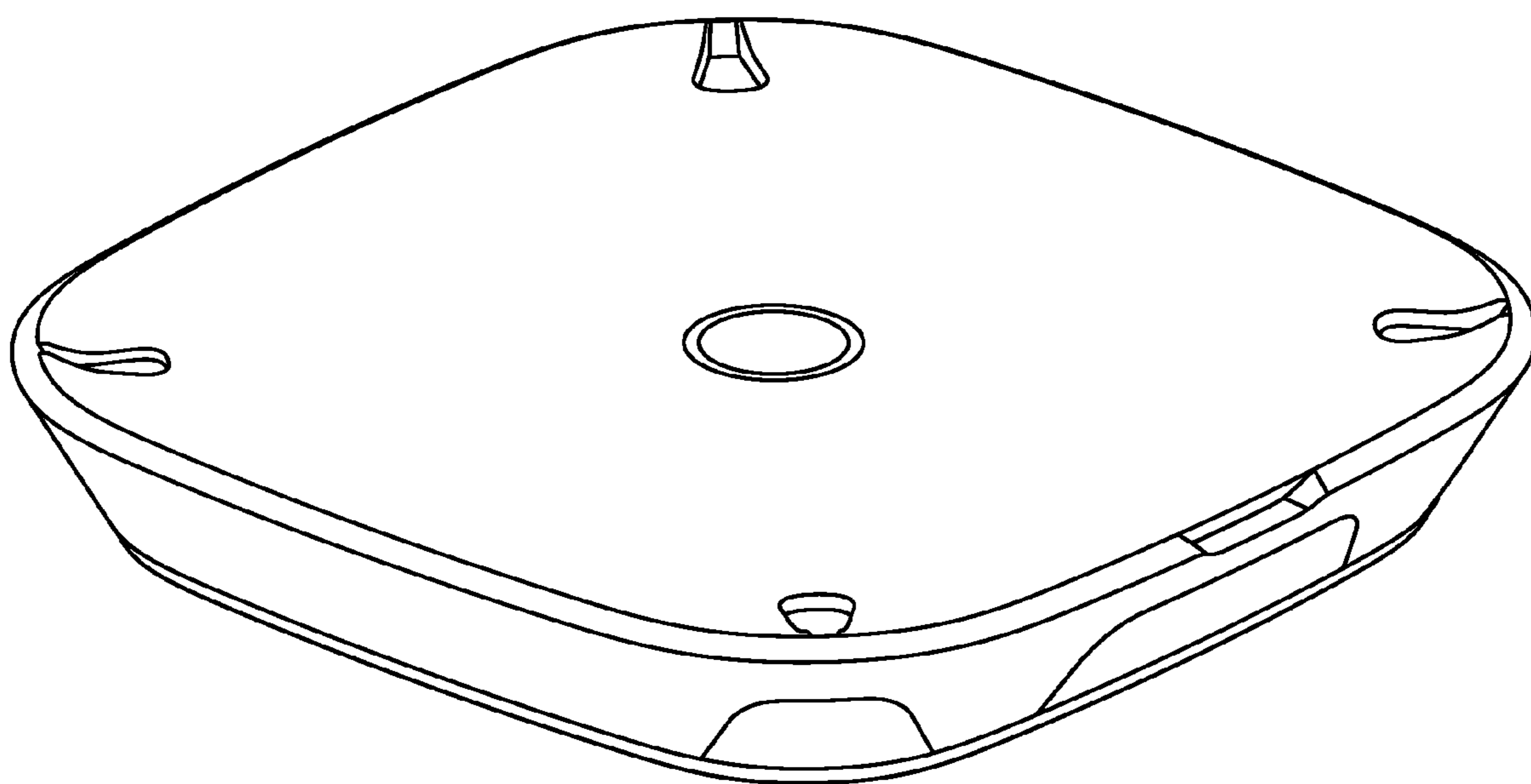


FIG. 8

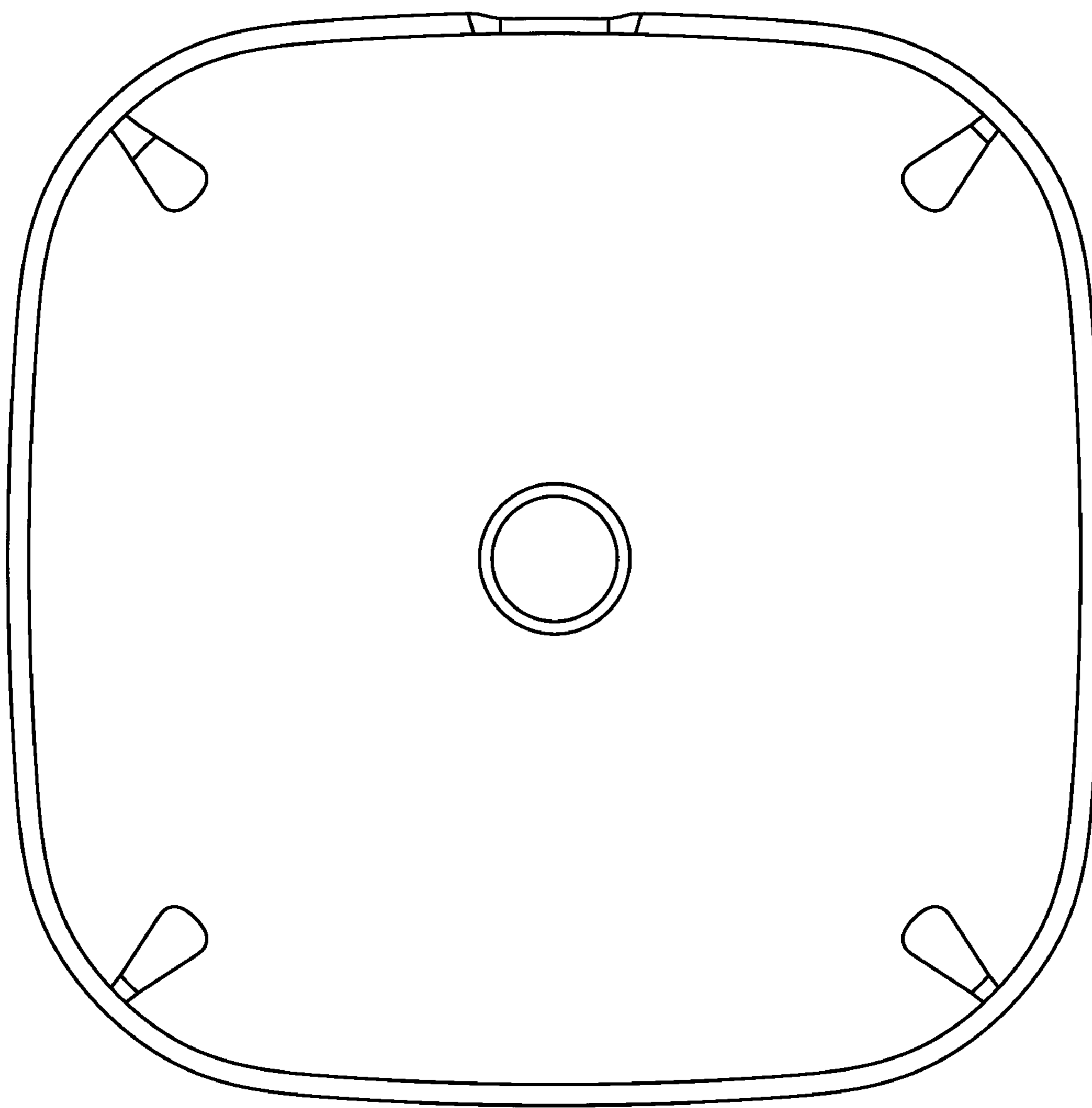


FIG. 9



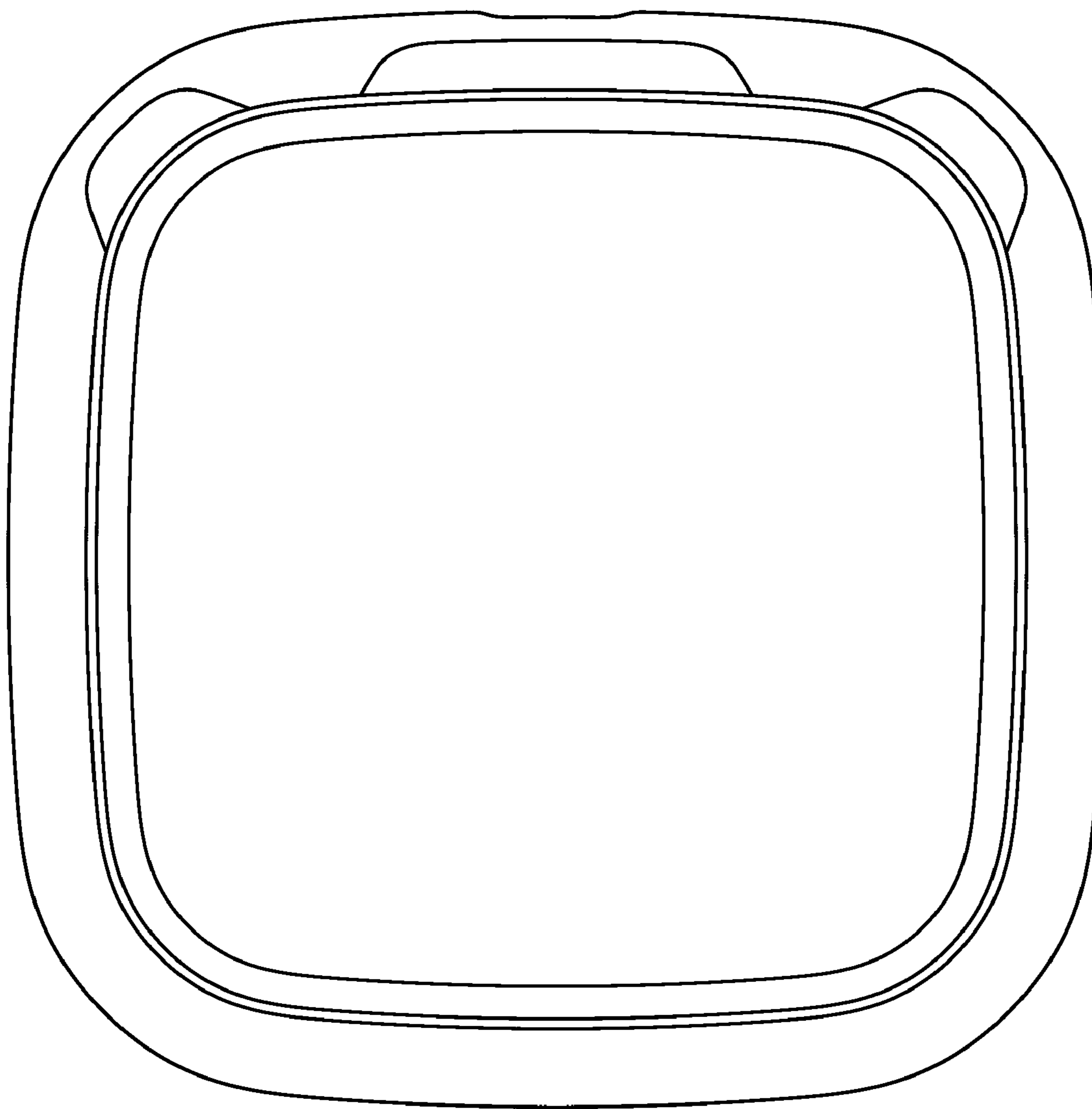


FIG. 10

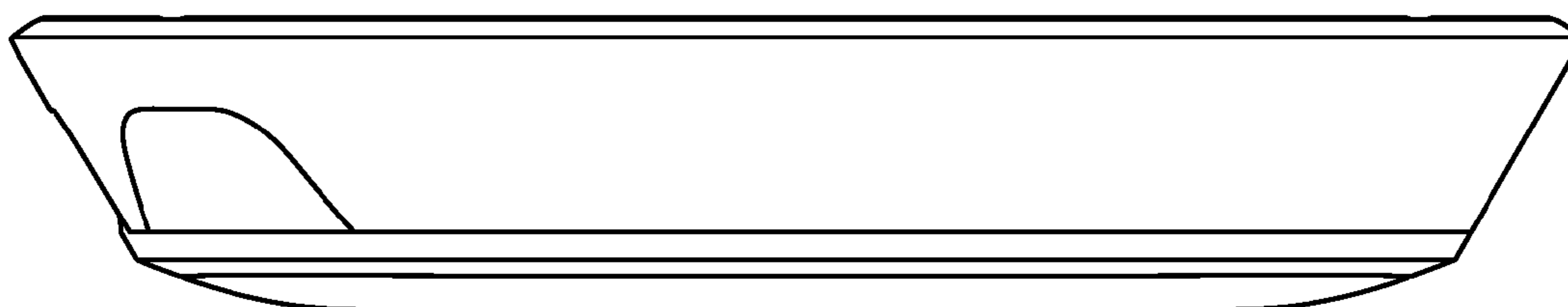


FIG. 11

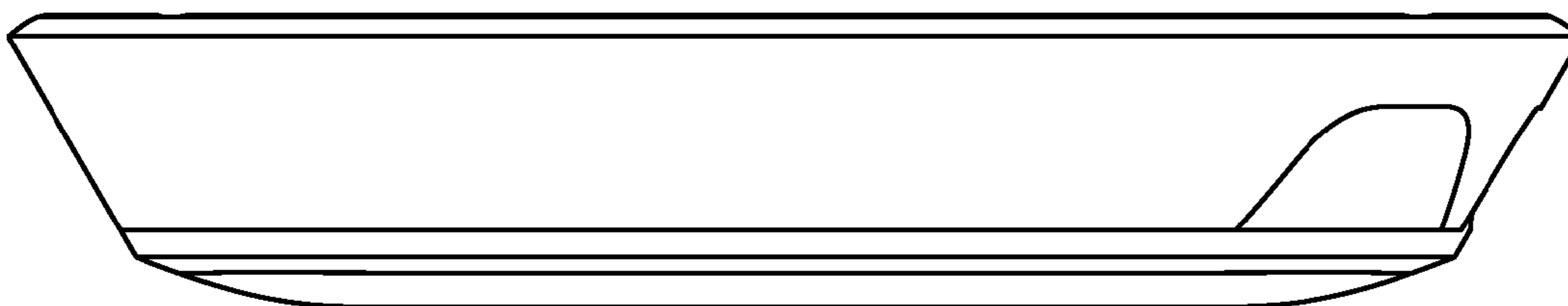


FIG. 12

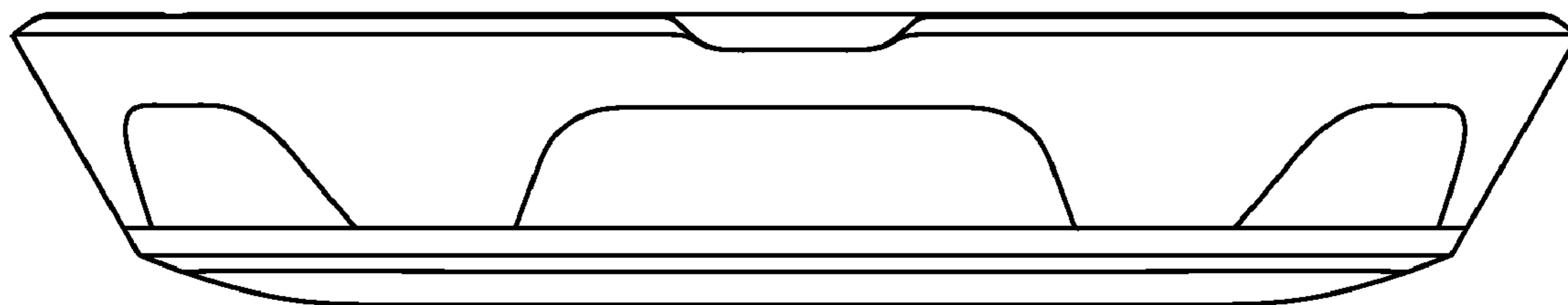


FIG. 13

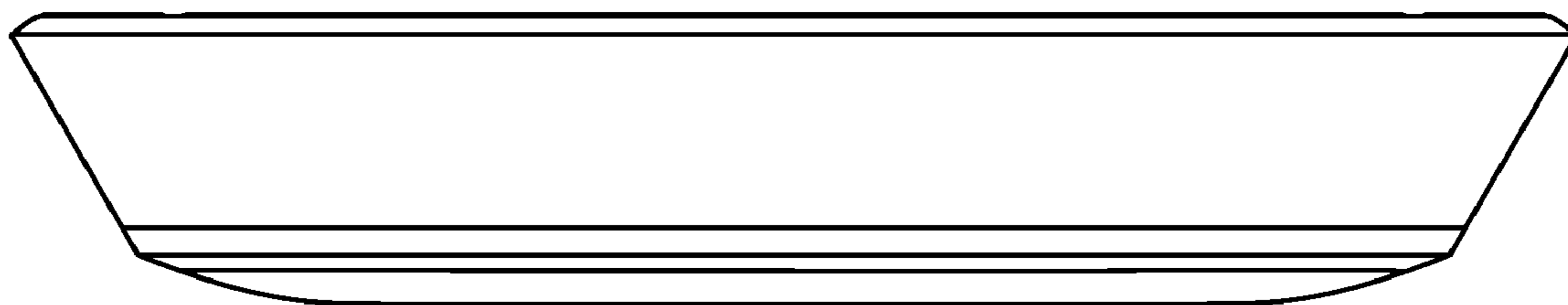


FIG. 14