

US00D637949S

(12) **United States Design Patent**
Farber

(10) **Patent No.:** **US D637,949 S**

(45) **Date of Patent:** **** May 17, 2011**

(54) **KAYAK CARRIER**

(75) Inventor: **Robert Farber**, Montreal (CA)

(73) Assignee: **Swiss Cargo Industries S.A. Inc.**, St. Jean, Quebec (CA)

(**) Term: **14 Years**

(21) Appl. No.: **29/369,830**

(22) Filed: **Sep. 14, 2010**

D357,813 S *	5/1995	Koresko	D6/317
D378,167 S *	2/1997	Jones, Jr.	D6/317
D428,711 S *	8/2000	Rowley	D6/317
D438,022 S *	2/2001	Bunn	D6/317
D468,623 S *	1/2003	Ohm et al.	D8/367
D497,873 S	11/2004	Grabner		
D499,372 S	12/2004	Andersson		
D506,076 S *	6/2005	Weisgerber	D6/317
D526,131 S *	8/2006	McGowan	D6/317
D571,279 S	6/2008	Trusty et al.		
D598,689 S	8/2009	McDonald		
D605,577 S	12/2009	Maguire		
D605,578 S	12/2009	Retief		
D623,120 S	9/2010	Farber		
2010/0051505 A1 *	3/2010	Thomas et al.	206/745

* cited by examiner

Related U.S. Application Data

(63) Continuation-in-part of application No. 29/353,239, filed on Jan. 5, 2010, now Pat. No. Des. 623,584.

(51) **LOC (9) Cl.** **12-16**

(52) **U.S. Cl.** **D12/412**

(58) **Field of Classification Search** D12/414, D12/406, 412, 414.1; 293/37.1, 3, 100; 224/309-310, 315-316, 323-329, 400; D6/552, D6/317-319, 513-514; D3/304-306; 280/760-762, 280/848, 727, 769; 296/99.1, 37.1, 100.01, 296/100.02, 157; 206/213, 8, 9, 279, 290, 206/713, 335, 315.1-315.4; D32/35, 58
See application file for complete search history.

Primary Examiner — Caron Veynar

Assistant Examiner — Katrina A Kile

(74) *Attorney, Agent, or Firm* — Husch Blackwell LLP

(56) **References Cited**

U.S. PATENT DOCUMENTS

2,777,582 A *	1/1957	Van Dusen	211/119
3,370,715 A *	2/1968	Kolozsvari	211/116
D354,412 S *	1/1995	Emery	D6/548

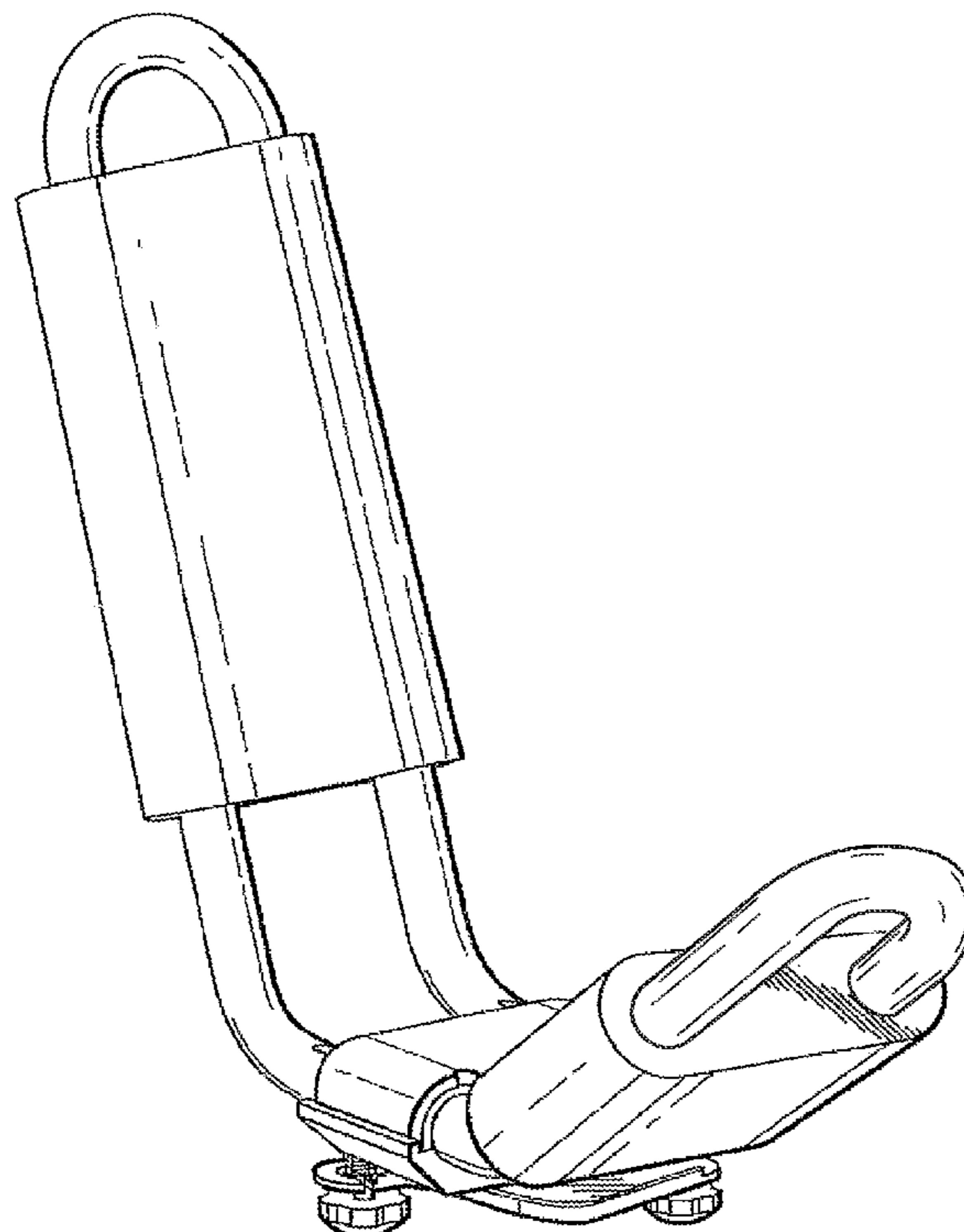
(57) **CLAIM**

The ornamental design for a kayak carrier, as shown and described.

DESCRIPTION

FIG. 1 is a perspective view of the kayak carrier; FIG. 2 is a front elevational view thereof; FIG. 3 is a rear elevational view thereof; FIG. 4 is a first side elevational view thereof; FIG. 5 is a second side elevational view thereof; FIG. 6 is a top plan view thereof; and, FIG. 7 is a bottom plan view thereof.

1 Claim, 4 Drawing Sheets



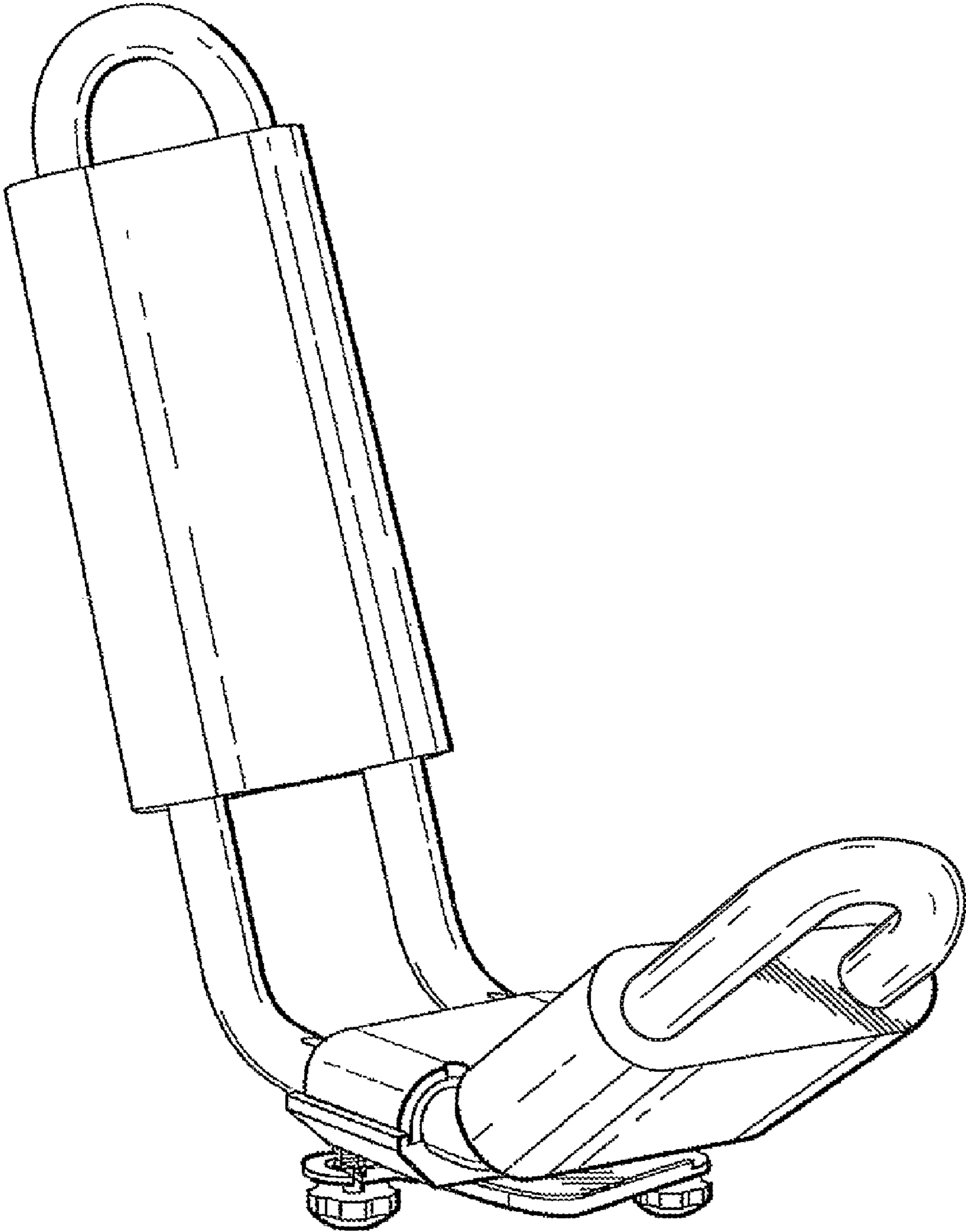


FIG. 1

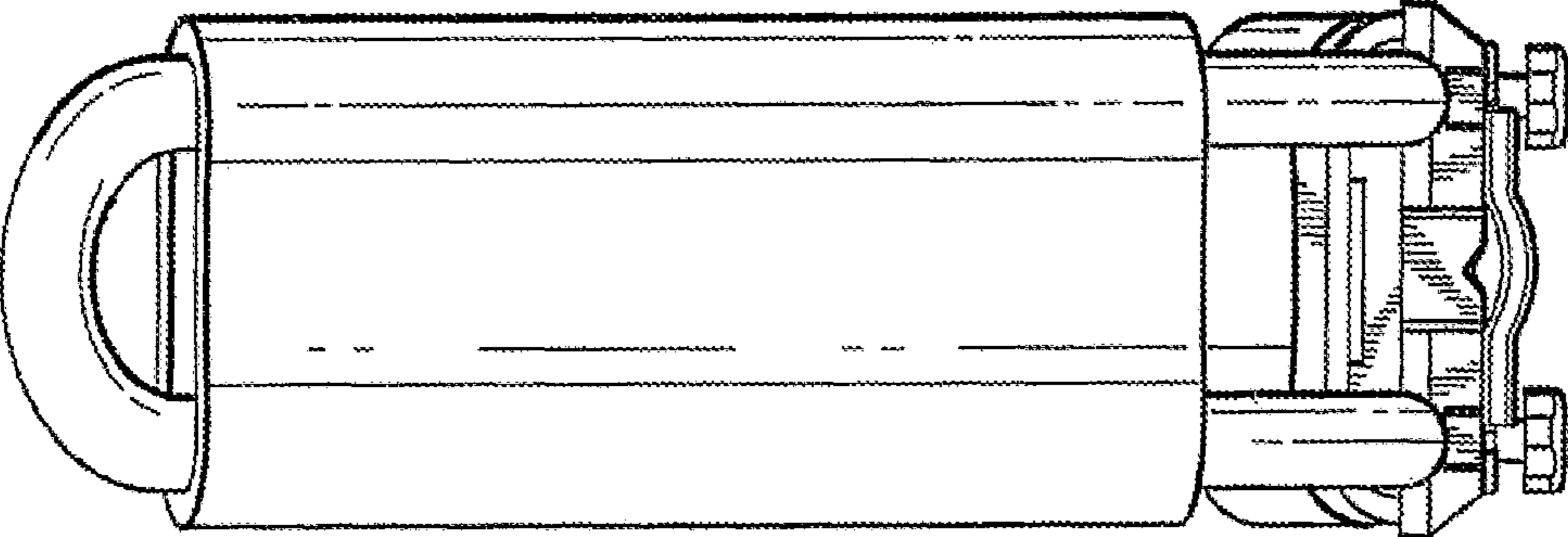


FIG. 3

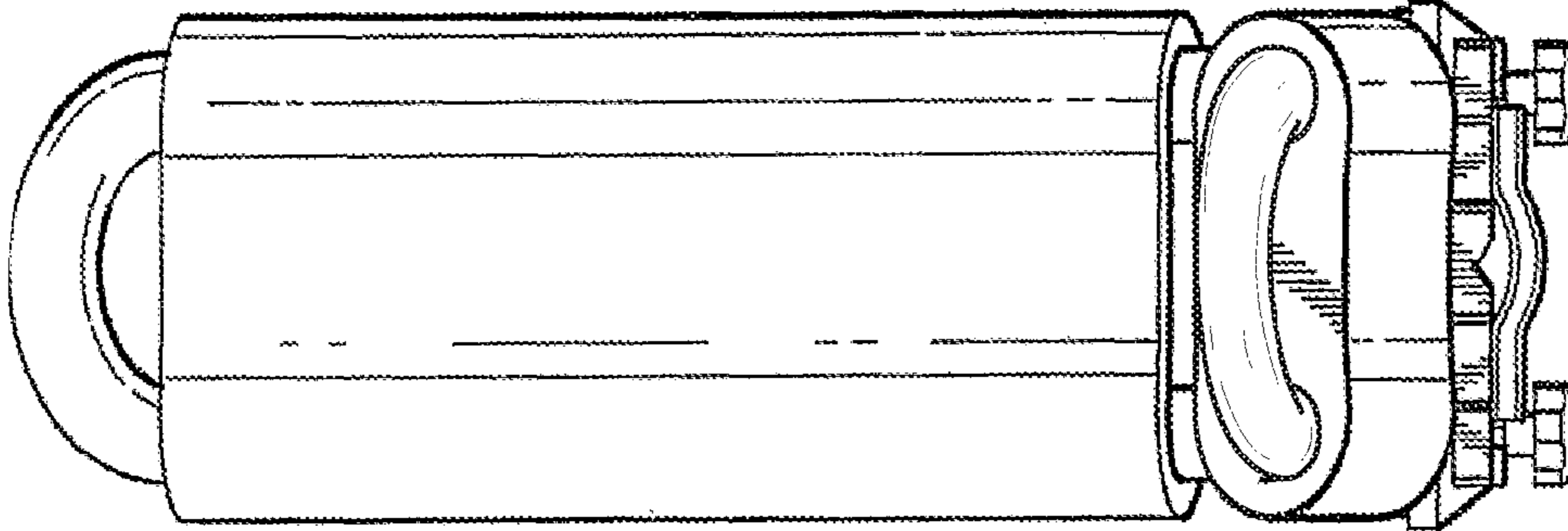


FIG. 2

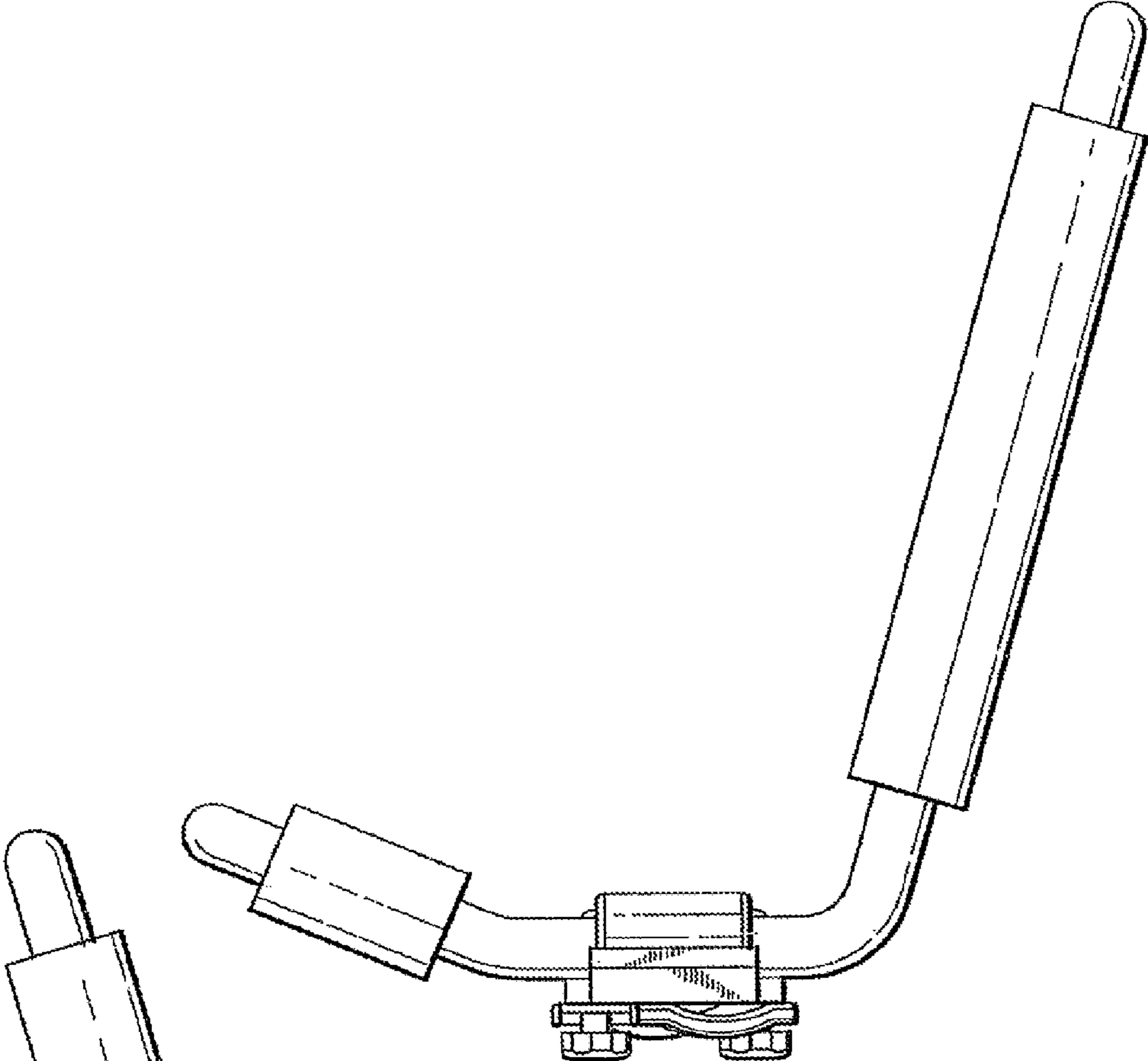


FIG. 4

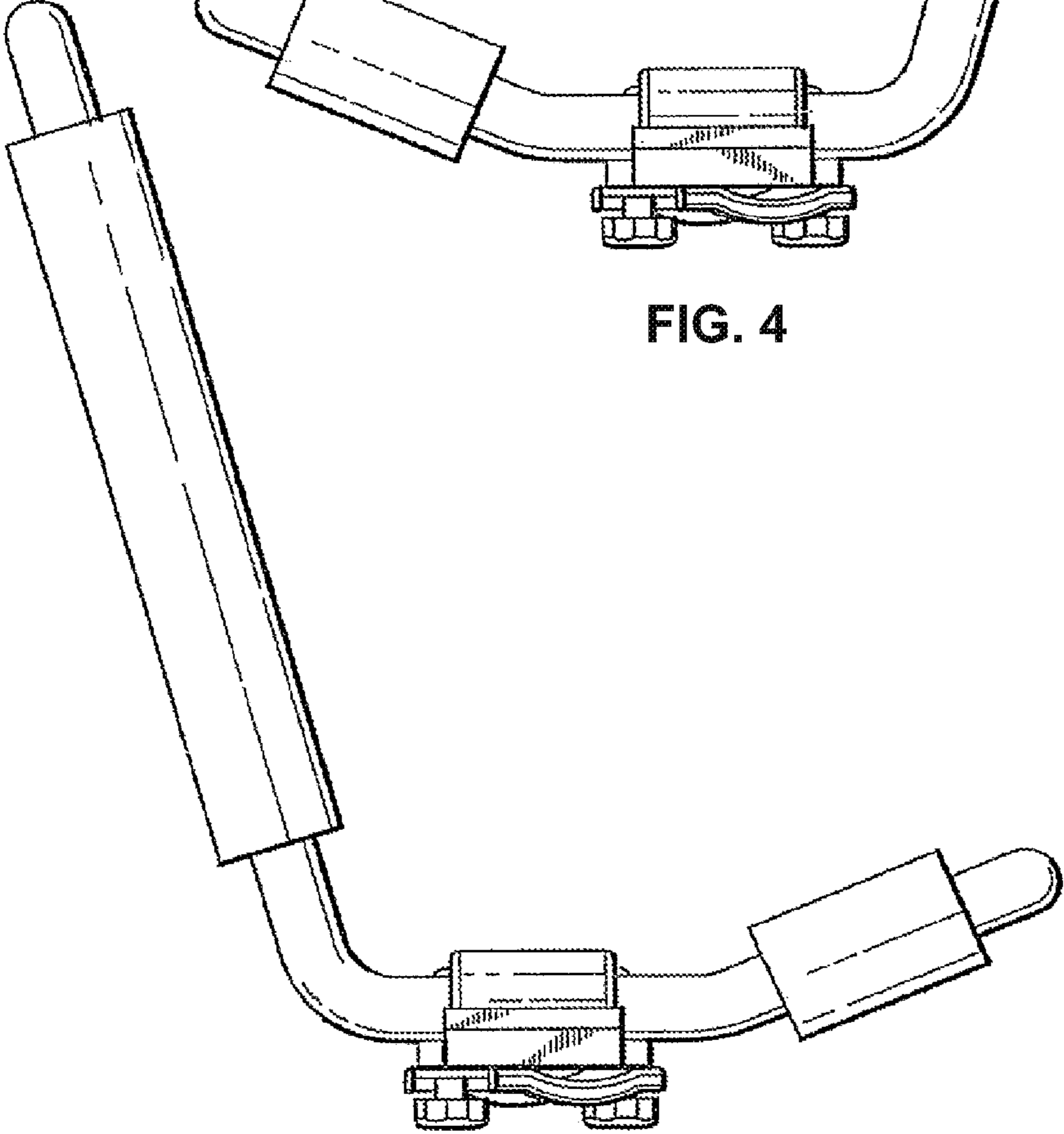


FIG. 5

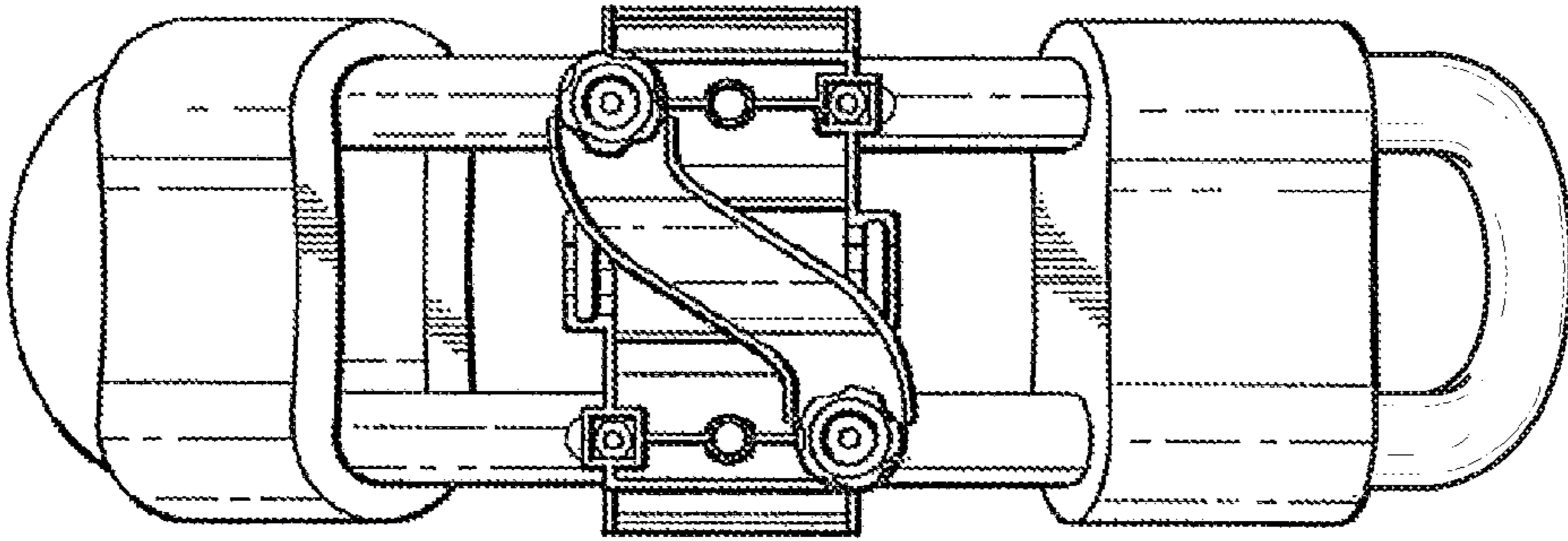


FIG. 6

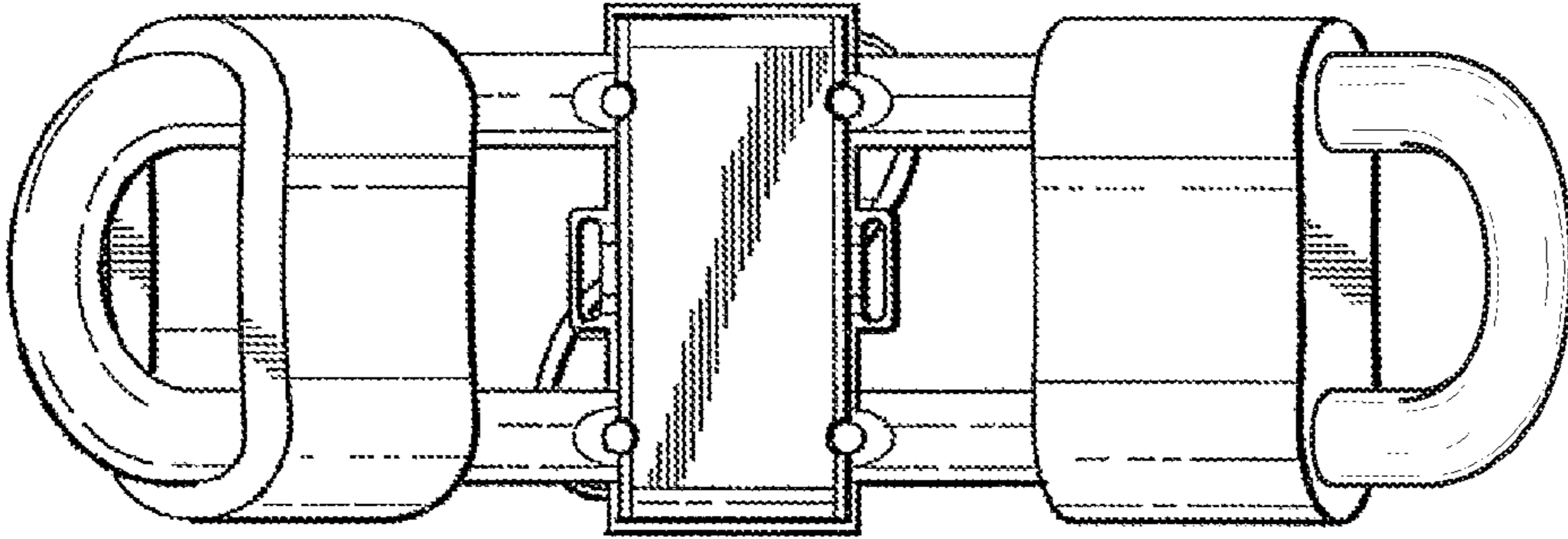


FIG. 7