

US00D637944S

(12) **United States Design Patent**  
**Lee**

(10) **Patent No.:** **US D637,944 S**  
(45) **Date of Patent:** **\*\* May 17, 2011**

(54) **PASSENGER CAR**

(75) Inventor: **Ji-Heon Lee**, Gyeonggi-Do (KR)

(73) Assignee: **Hyundai Motor Company**, Seoul (KR)

(\*\*) Term: **14 Years**

(21) Appl. No.: **29/375,605**

(22) Filed: **Sep. 24, 2010**

(30) **Foreign Application Priority Data**

Aug. 17, 2010 (KR) ..... 30-2010-0035791

(51) **LOC (9) Cl.** ..... **12-08**

(52) **U.S. Cl.** ..... **D12/92**

(58) **Field of Classification Search** ..... D12/86,  
D12/90-92, 88; D21/424, 433, 434; 296/181.1,  
296/181.5

See application file for complete search history.

(56) **References Cited**

**U.S. PATENT DOCUMENTS**

D599,708 S \* 9/2009 Li et al. .... D12/92  
D617,684 S \* 6/2010 Nagura et al. .... D12/92

D619,502 S \* 7/2010 Cha ..... D12/91  
D619,932 S \* 7/2010 Yi ..... D12/92  
D620,396 S \* 7/2010 Reichman et al. .... D12/92  
D620,844 S \* 8/2010 Yi ..... D12/92  
D628,942 S \* 12/2010 Kim ..... D12/92

\* cited by examiner

*Primary Examiner* — Melody N Brown

(74) *Attorney, Agent, or Firm* — Edwards Angell Palmer & Dodge LLP; Peter F. Corless

(57) **CLAIM**

The ornamental design for a passenger car, as shown and described.

**DESCRIPTION**

FIG. 1 is a perspective view of a passenger car according to the present invention.

FIG. 2 is a front view of the passenger car of FIG. 1.

FIG. 3 is a rear view of the passenger car of FIG. 1.

FIG. 4 is a left side view of the passenger car of FIG. 1.

FIG. 5 is a right side view of the passenger car of FIG. 1; and,

FIG. 6 is a top view of the passenger car of FIG. 1.

A bottom view of the passenger car of FIG. 1 is omitted since it lacks ornamental feature.

**1 Claim, 6 Drawing Sheets**





FIG. 1

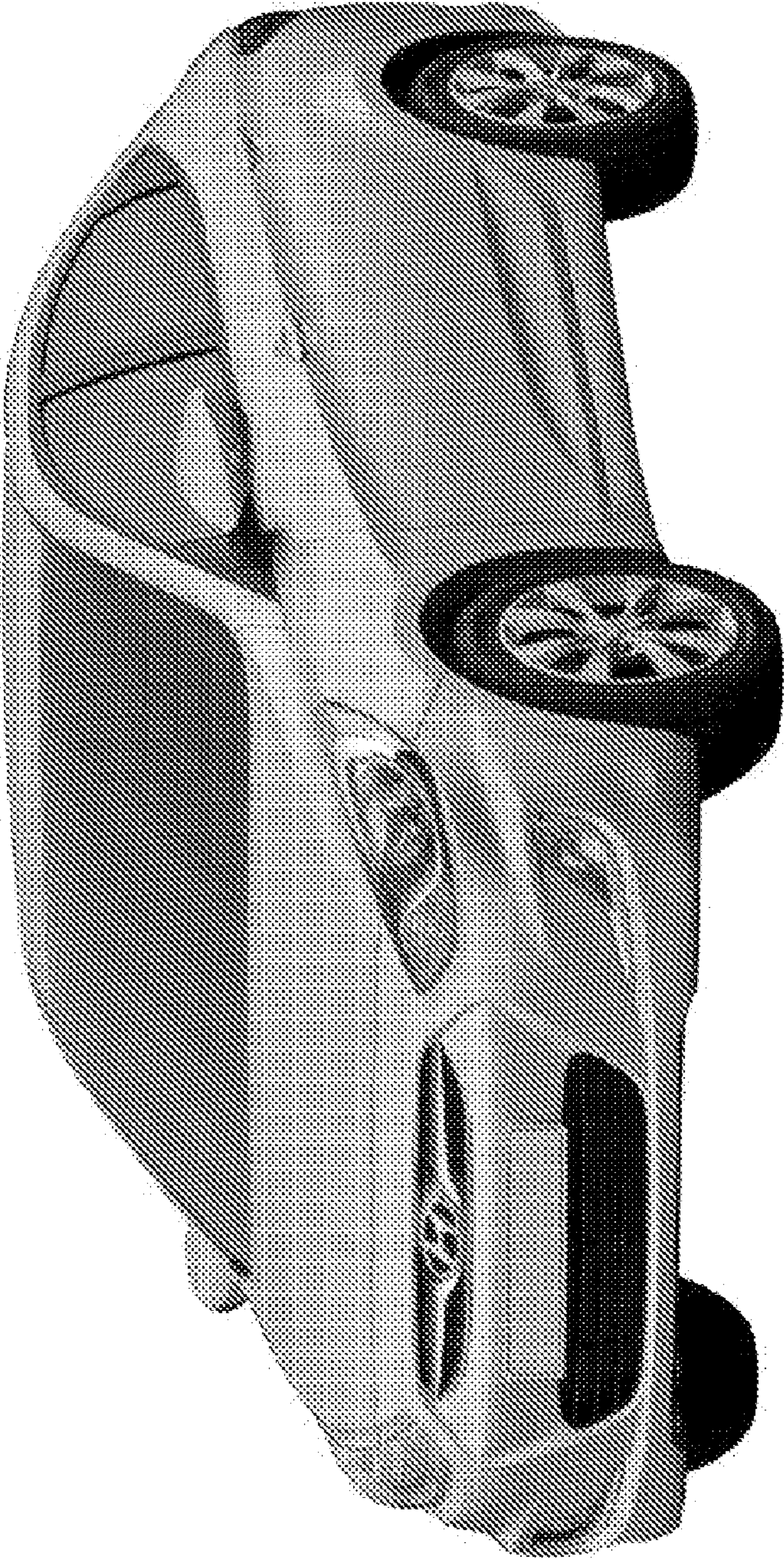




FIG. 2

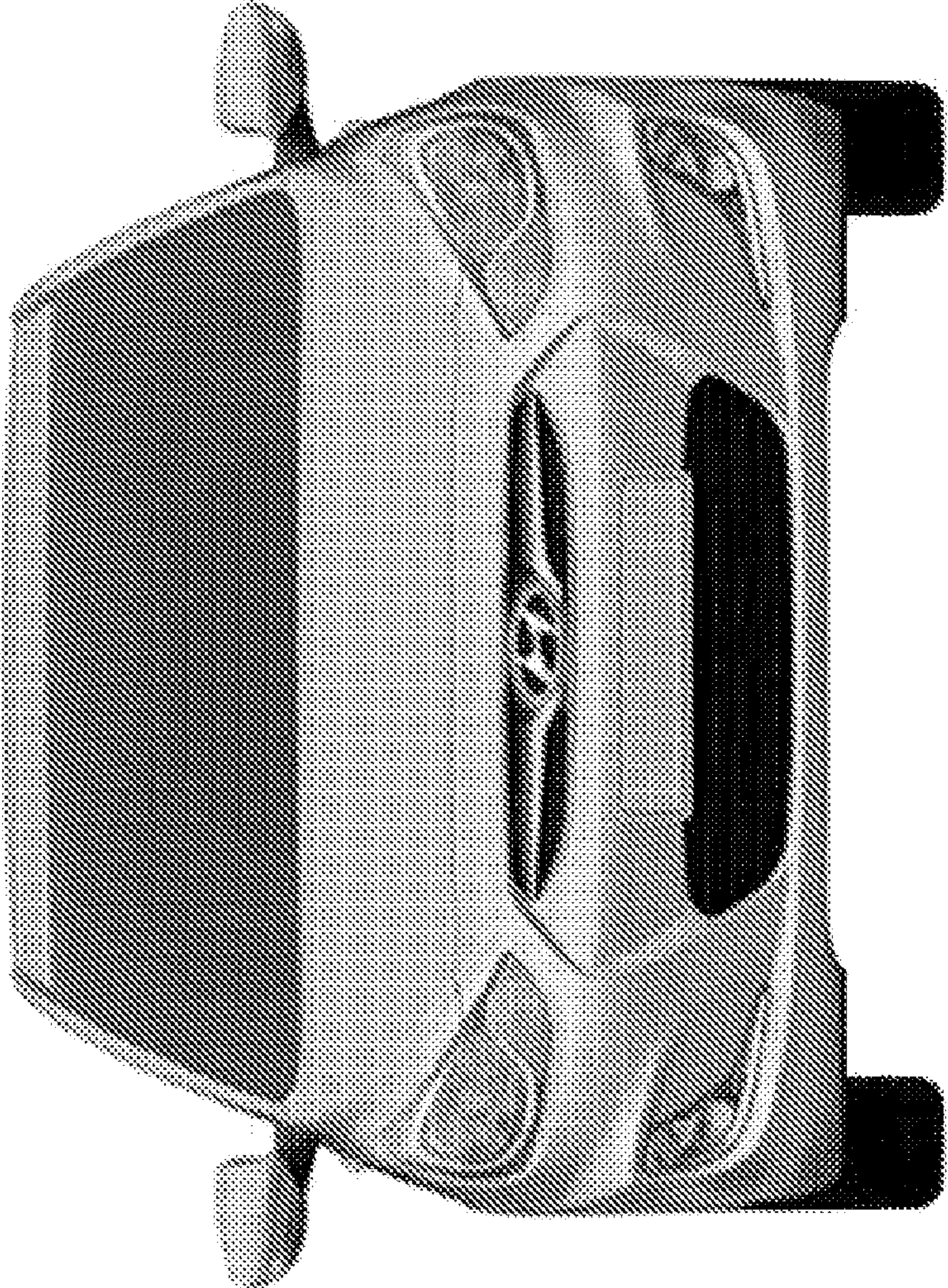


FIG. 3

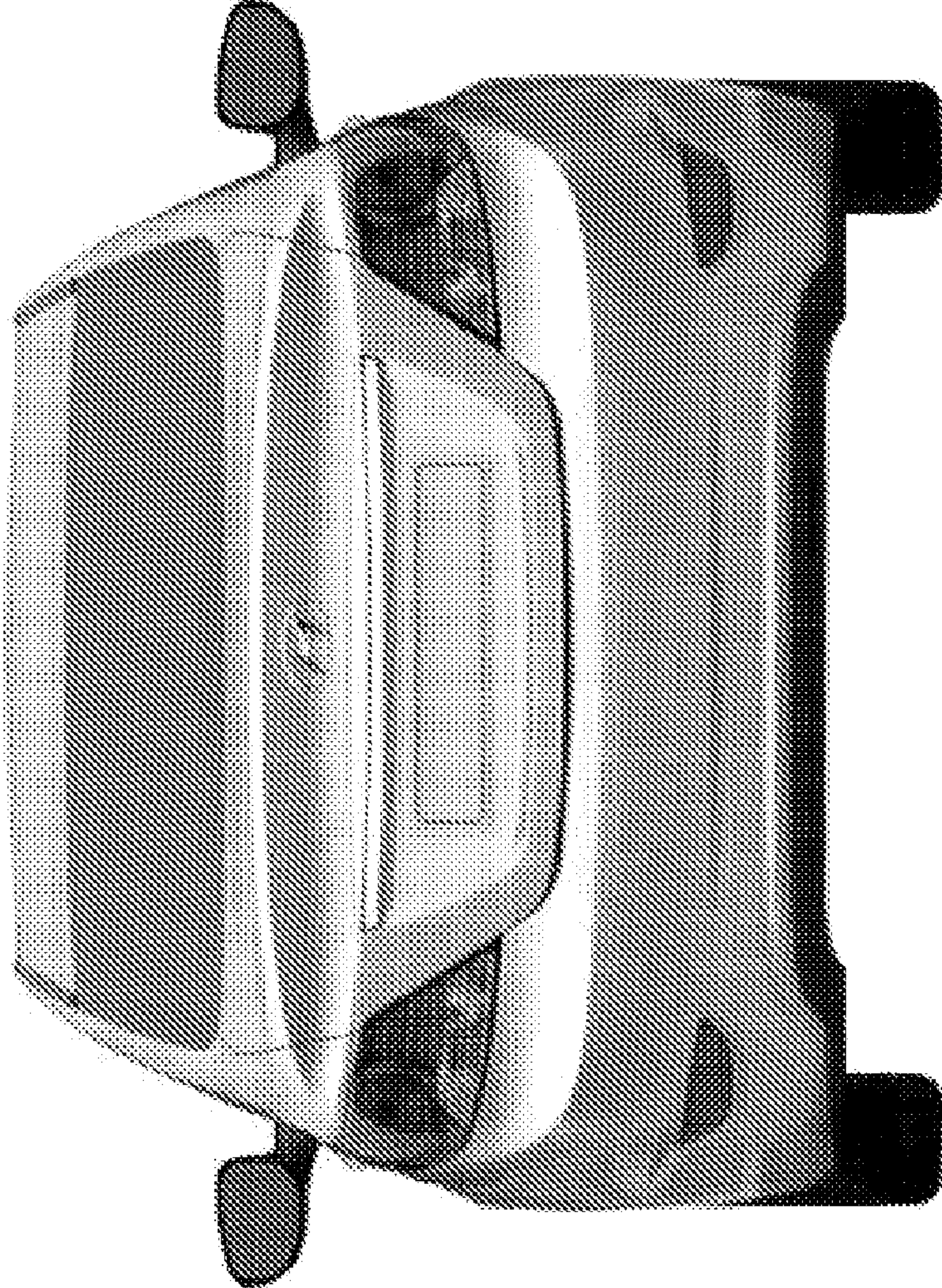




FIG. 4

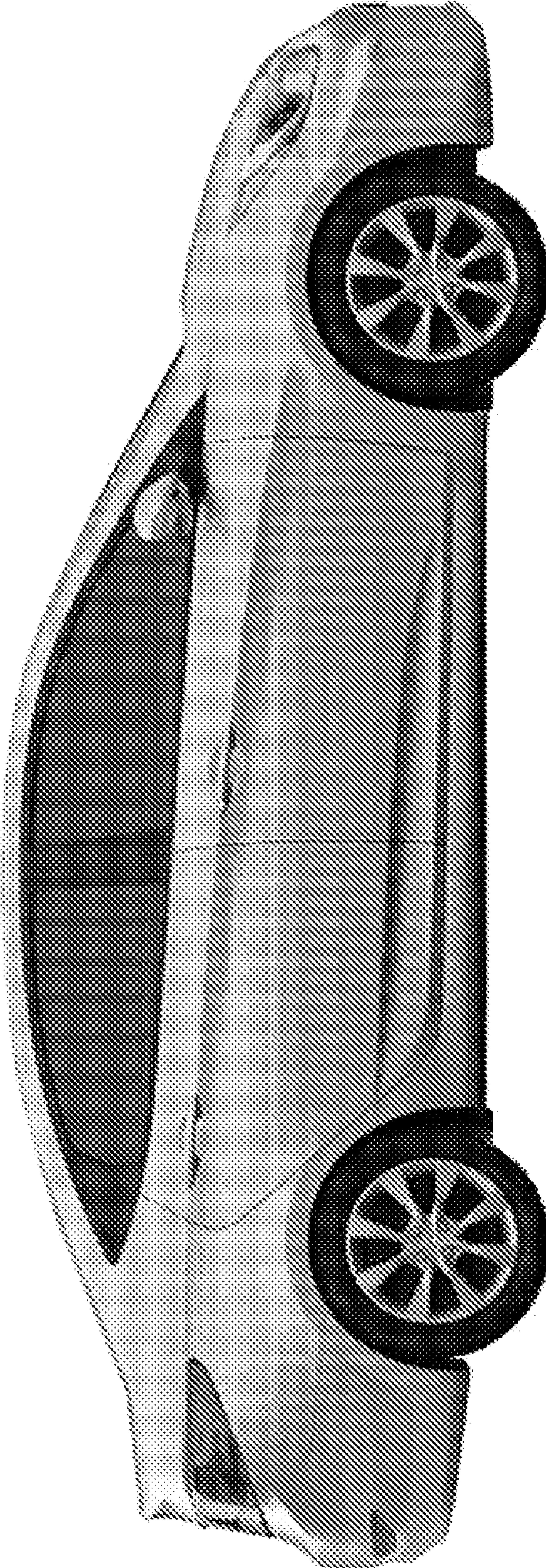
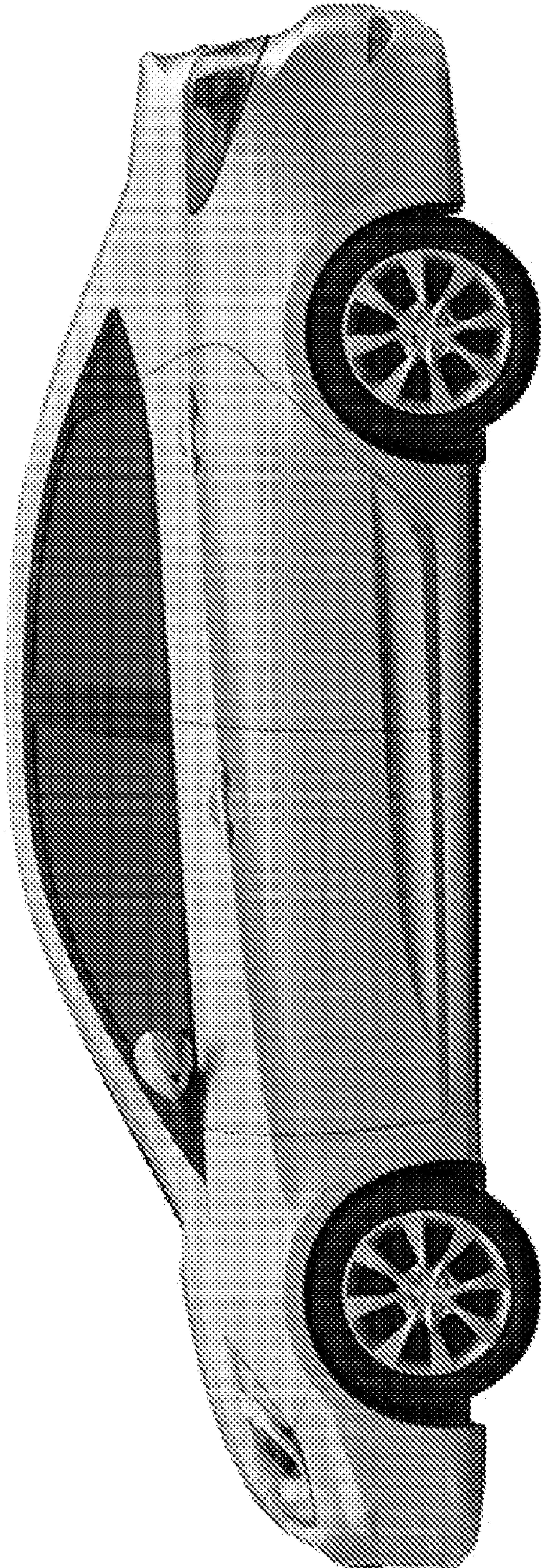




FIG. 5





**FIG. 6**

