



US00D637940S

(12) **United States Design Patent**
Hermann

(10) **Patent No.:** **US D637,940 S**

(45) **Date of Patent:** **** May 17, 2011**

(54) **BUCKLE**

(75) Inventor: **Valérie Hermann**, Neuilly (FR)

(73) Assignee: **Yves Saint Laurent**, Paris (FR)

(**) Term: **14 Years**

(21) Appl. No.: **29/379,341**

(22) Filed: **Nov. 18, 2010**

Related U.S. Application Data

(62) Division of application No. 29/352,260, filed on Dec. 18, 2009, now Pat. No. Des. 629,715.

(51) **LOC (9) Cl.** **02-07**

(52) **U.S. Cl.** **D11/210**

(58) **Field of Classification Search** D11/1-2,
D11/200-201, 203-206, 210, 212, 214-219,
D11/222, 224, 226; 24/163 R, 169-171,
24/173, 177-179, 191, 194-195, 197, 200

See application file for complete search history.

(56) **References Cited**

U.S. PATENT DOCUMENTS

D25,434 S *	4/1896	Rubin	D11/200
D35,234 S *	10/1901	Phillips	D11/200
1,243,565 A *	10/1917	Smith	294/26
D382,105 S *	8/1997	Bonaldi	D3/215
D507,996 S *	8/2005	Peralta	D12/133
D525,168 S *	7/2006	Pontaoe	D11/208
D603,751 S *	11/2009	Murray et al.	D11/200

* cited by examiner

Primary Examiner — Ralf Seifert

(74) *Attorney, Agent, or Firm* — Collen IP; Donald J. Ranft

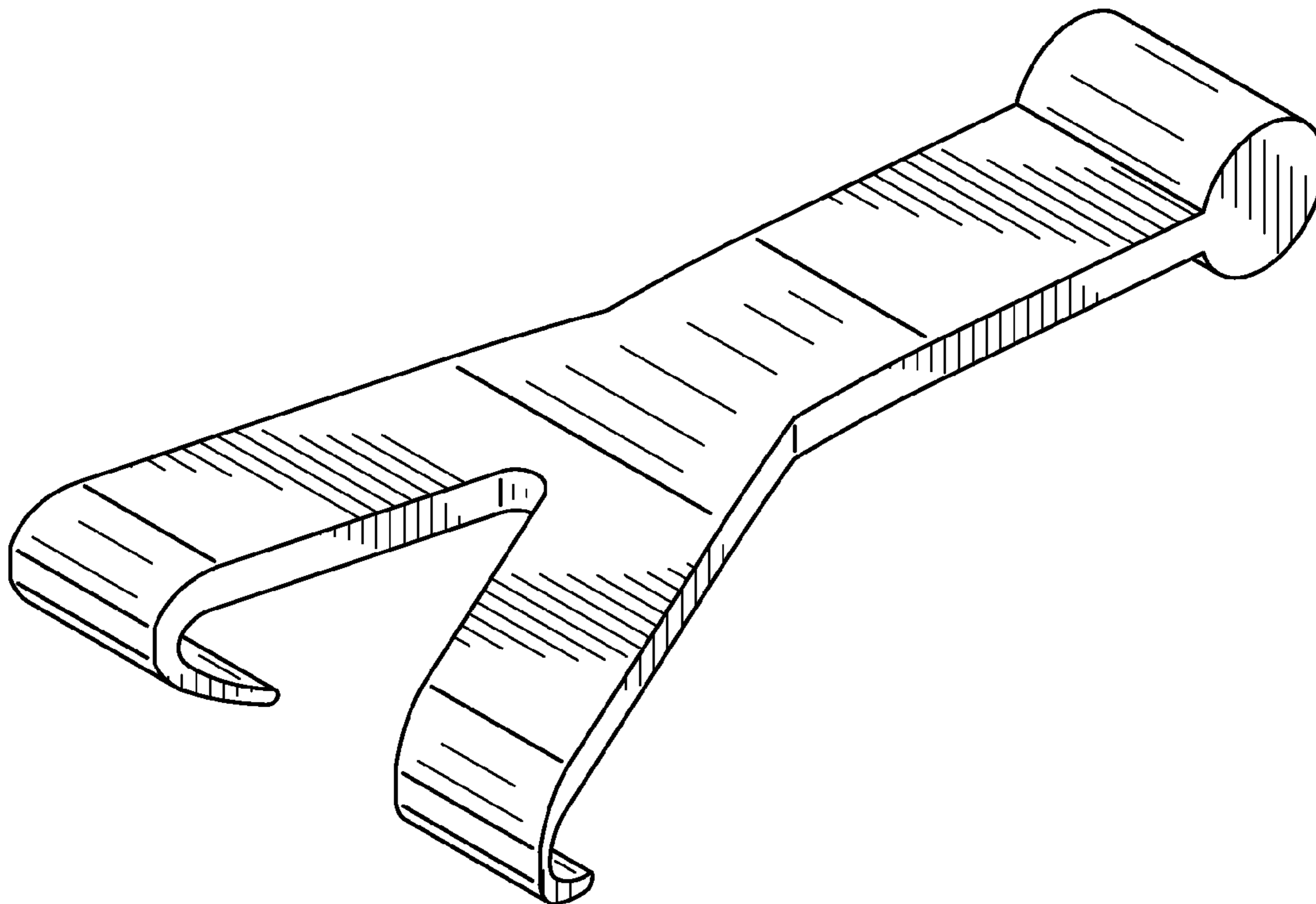
(57) **CLAIM**

The ornamental design for a buckle, as shown.

DESCRIPTION

FIG. 1 is a front perspective view of my new, original and ornamental design for a buckle;
FIG. 2 is a rear perspective view thereof;
FIG. 3 is a top view thereof;
FIG. 4 is a bottom view thereof;
FIG. 5 is a left side view thereof;
FIG. 6 is a front view thereof; and,
FIG. 7 is a rear view thereof.

1 Claim, 3 Drawing Sheets



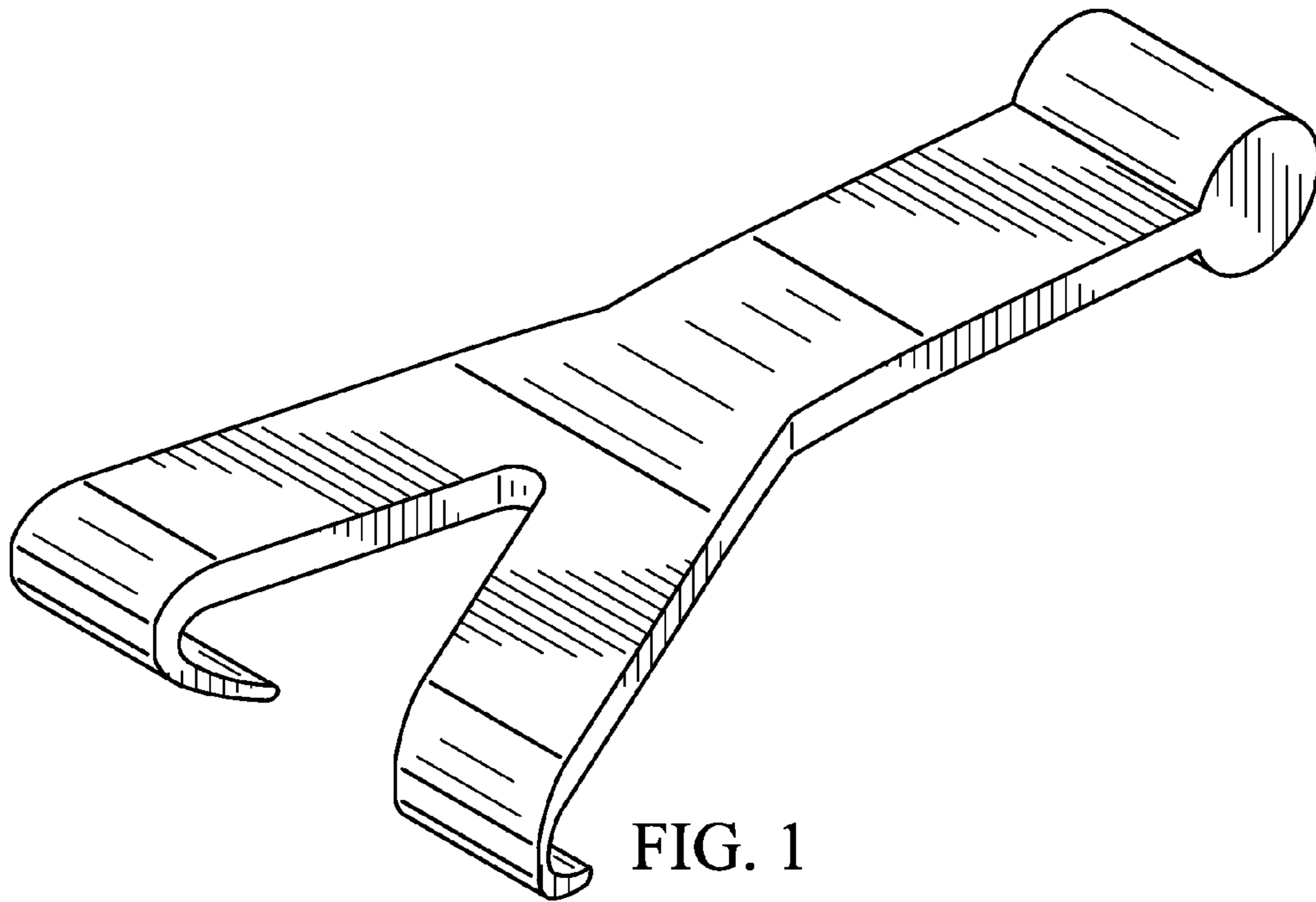


FIG. 1

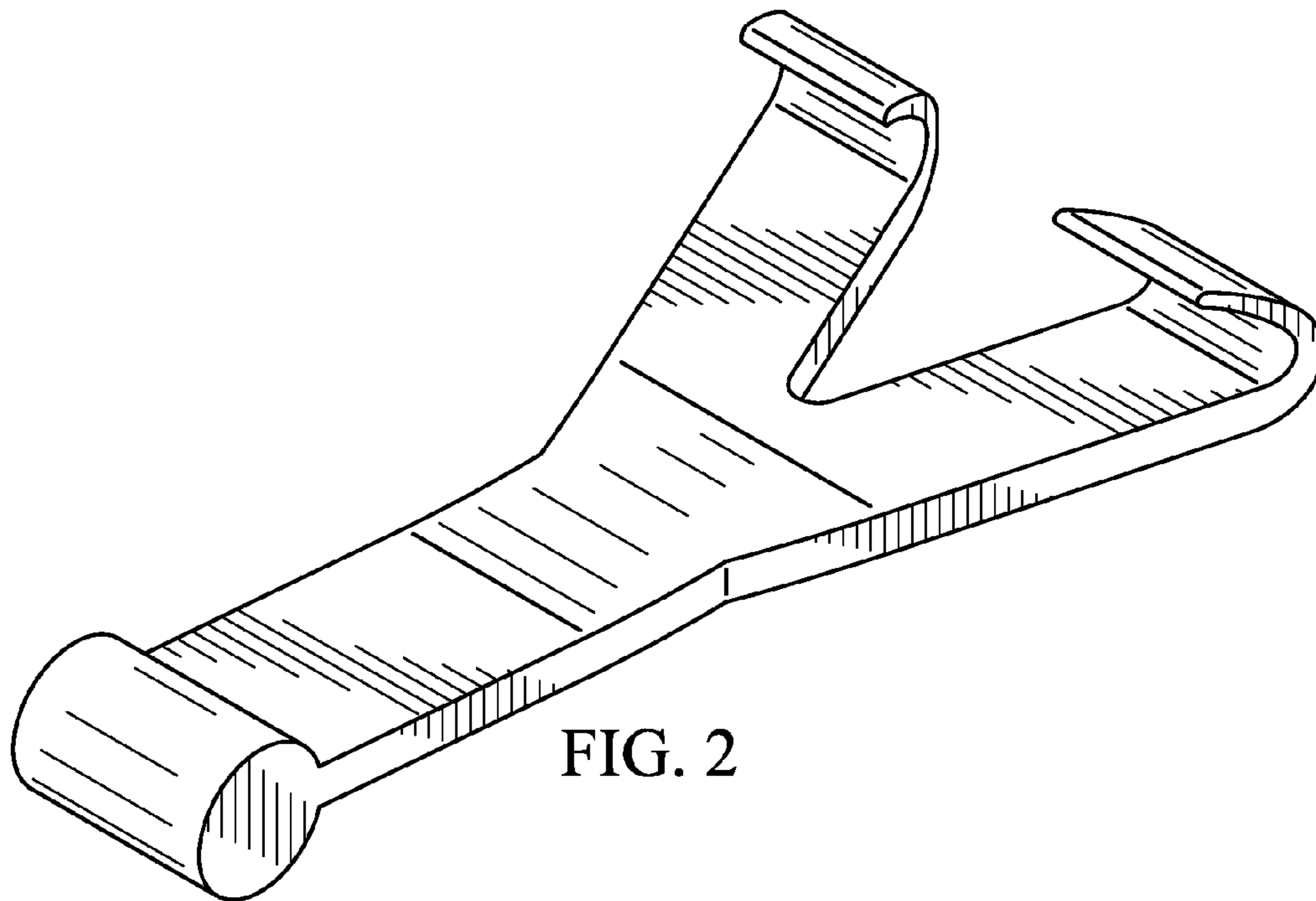


FIG. 2

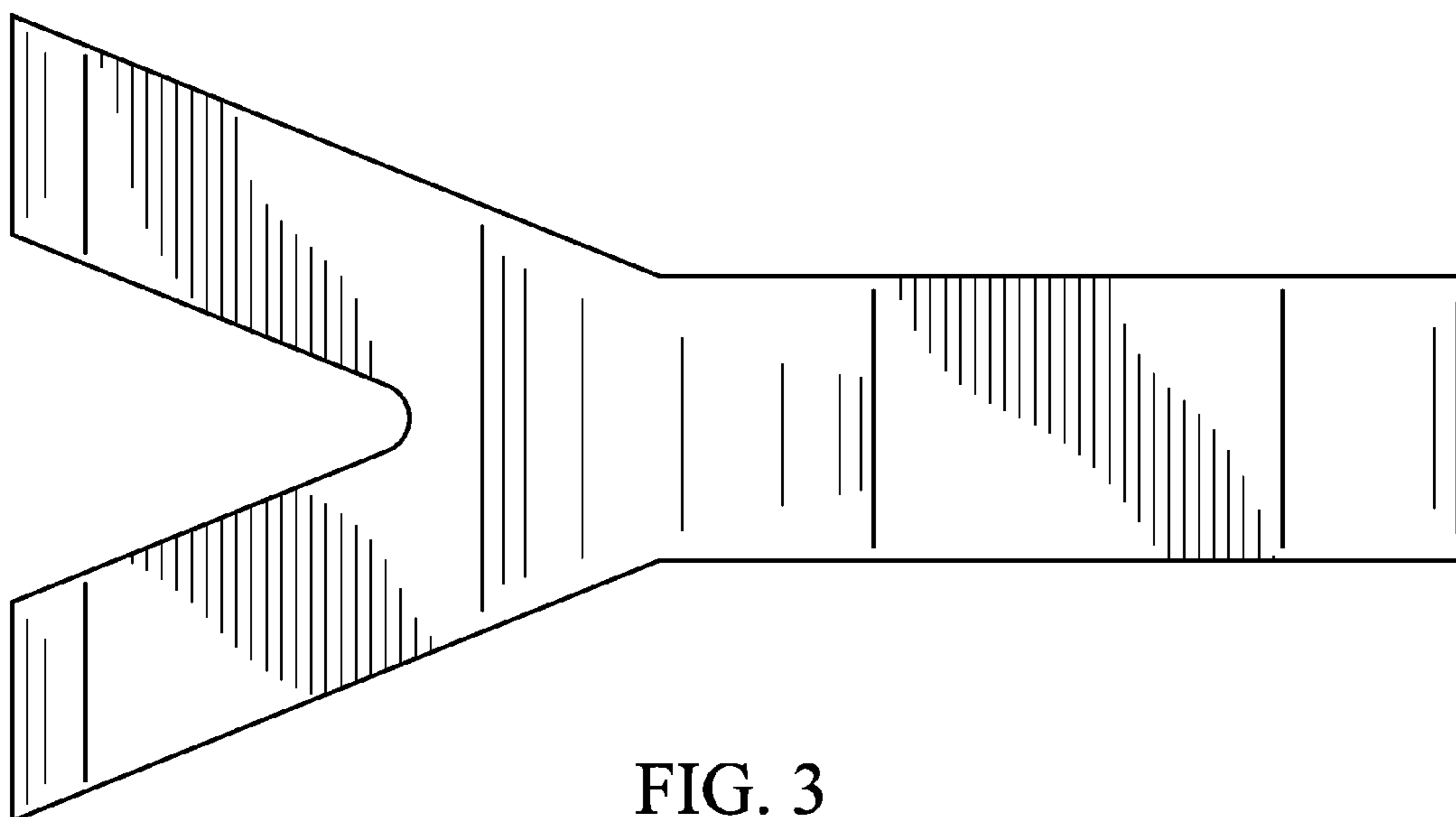


FIG. 3

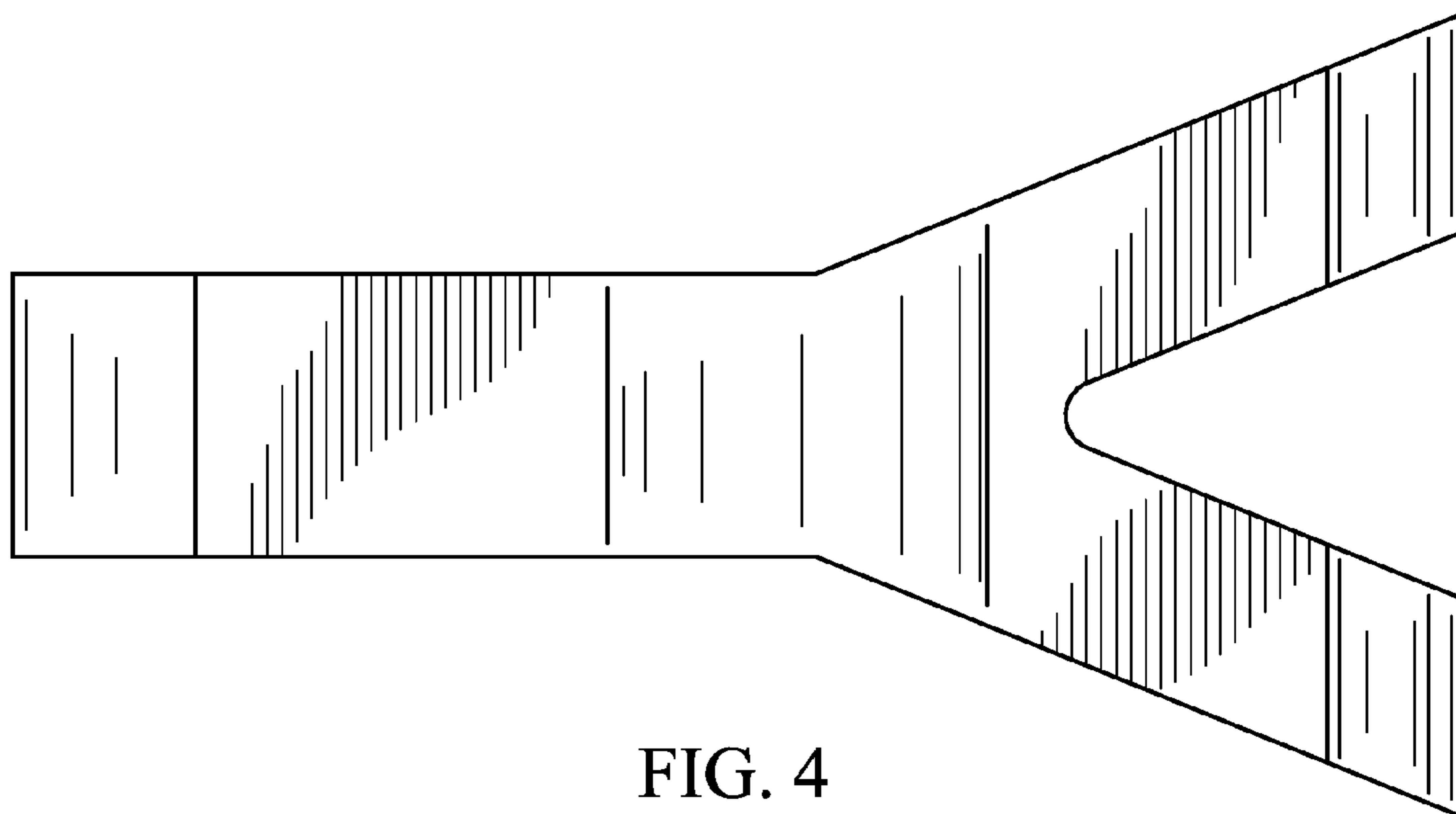


FIG. 4

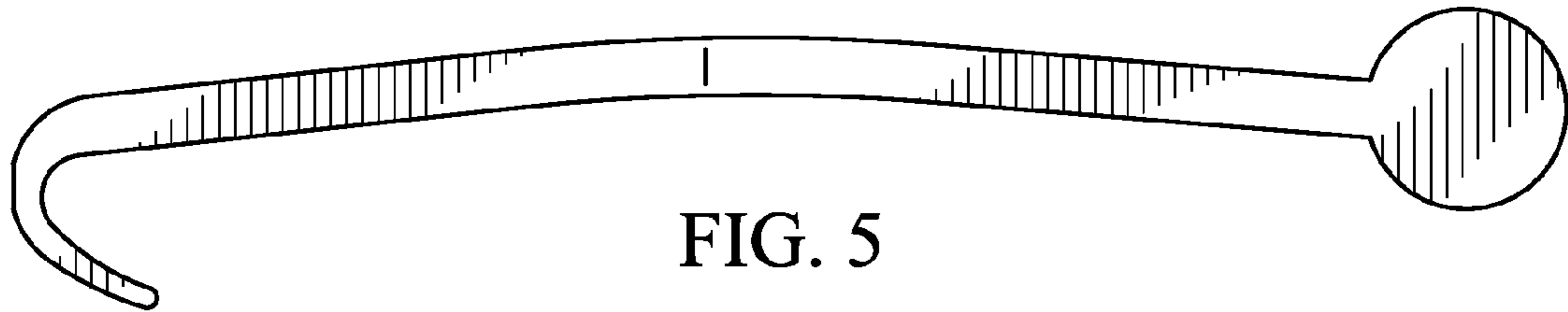


FIG. 5

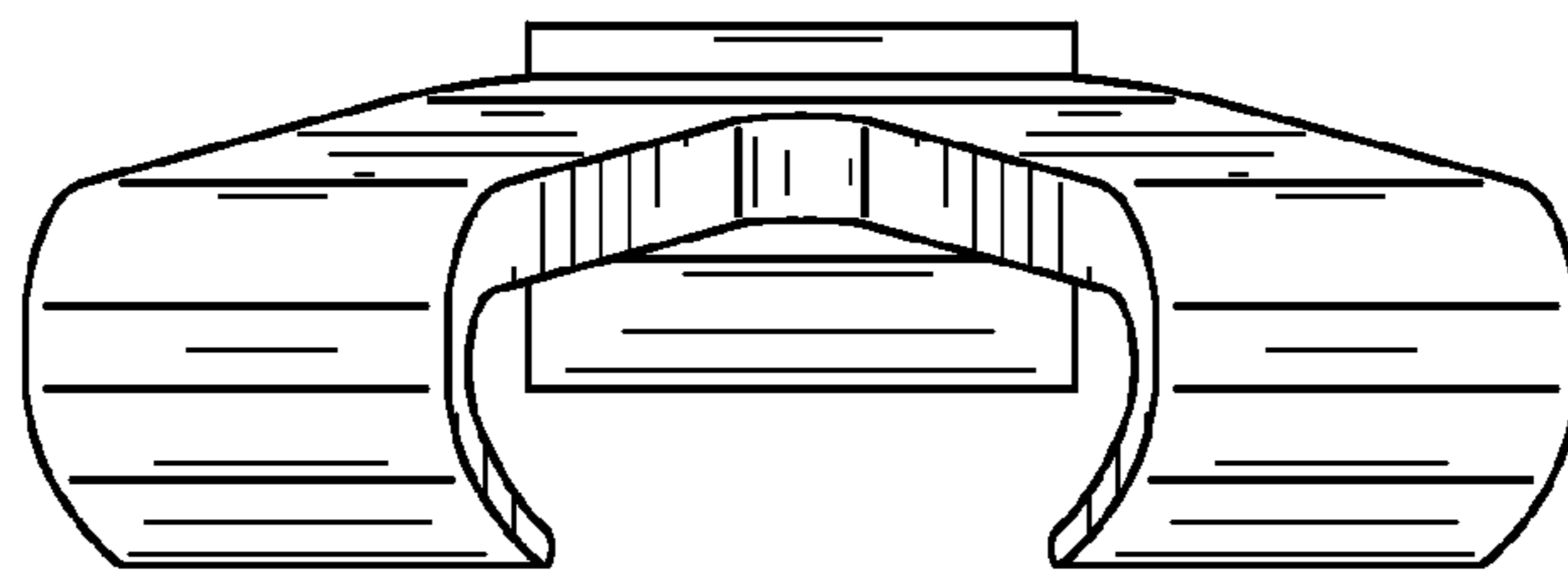


FIG. 6

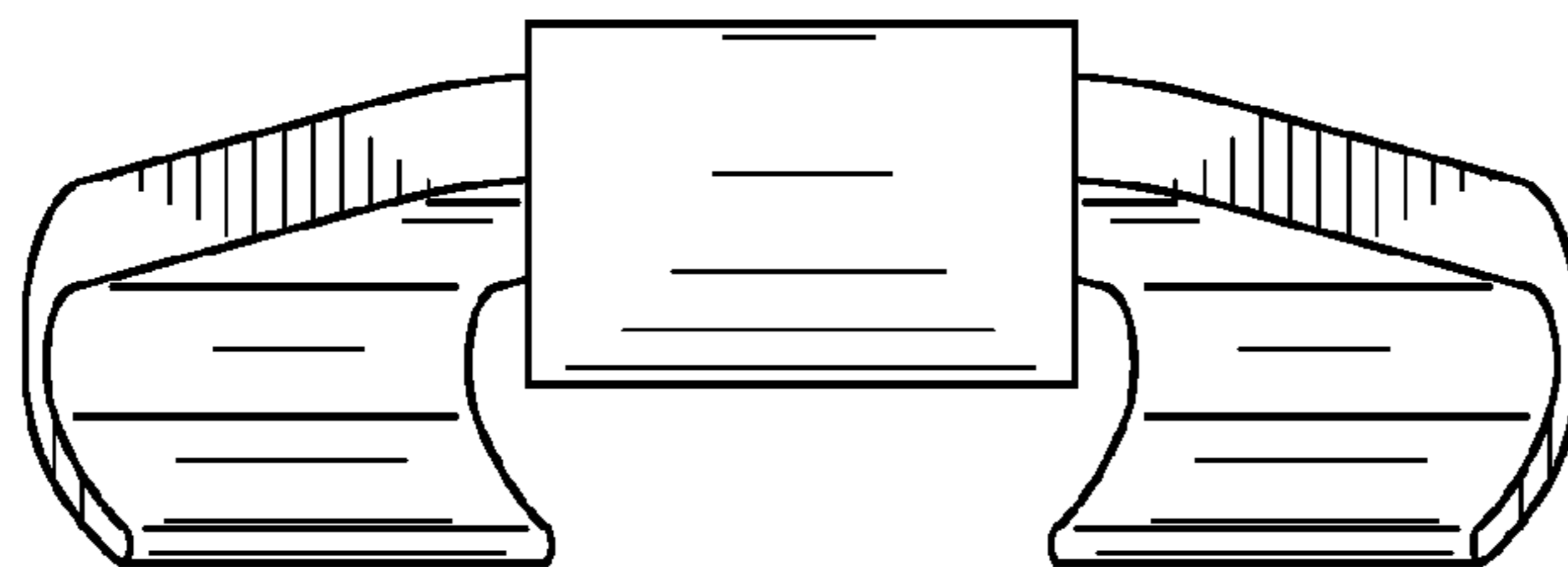


FIG. 7