

US00D637938S

(12) **United States Design Patent**
Gaspard

(10) **Patent No.:** **US D637,938 S**
(45) **Date of Patent:** **** May 17, 2011**

(54) **JEWEL**
(75) Inventor: **Caroline Gaspard**, Onnaing (FR)
(73) Assignee: **Akillis**, Onnaing (FR)
(**) Term: **14 Years**
(21) Appl. No.: **29/380,967**
(22) Filed: **Dec. 14, 2010**

D480,657 S * 10/2003 Waldman D11/1
D541,694 S * 5/2007 Ping D11/40
D630,122 S * 1/2011 Gaspard D11/73

OTHER PUBLICATIONS

<http://cn1.kaboodle.com/hi/img/2/0/0/7a/d/AAAAAqhfbpUAAAAAAHrVcg.jpg?v=1192580109000>.
http://www.pltnyc.com/cw3/assets/product_full/ear-silverbullet.jpg.
<http://www.ioffer.com/img/item/137/215/135/88sX.jpg>.

* cited by examiner

(30) **Foreign Application Priority Data**

Jun. 18, 2010 (WO) DM/073 783

(51) **LOC (9) Cl.** **11-02**
(52) **U.S. Cl.** **D11/81**
(58) **Field of Classification Search** D11/1,
D11/2, 7, 40-53, 56, 57, 58-61, 63, 65, 79-87,
D11/89-90, 99, 91, 92, 101, 106, 114-116,
D11/117, 200-201; 63/1.11, 18-20, 12,
63/13; D3/207-211; D21/481, 480, 469,
D21/484, 500

See application file for complete search history.

Primary Examiner — Cathron Brooks

Assistant Examiner — Melanie Levy

(74) *Attorney, Agent, or Firm* — Norris McLaughlin & Marcus P.A.

(56) **References Cited**

U.S. PATENT DOCUMENTS

D63,098 S * 10/1923 Danz D11/44
D163,424 S * 5/1951 Simpson D11/27
D373,742 S * 9/1996 Janice D11/40
D447,715 S * 9/2001 Wilkinson D11/1

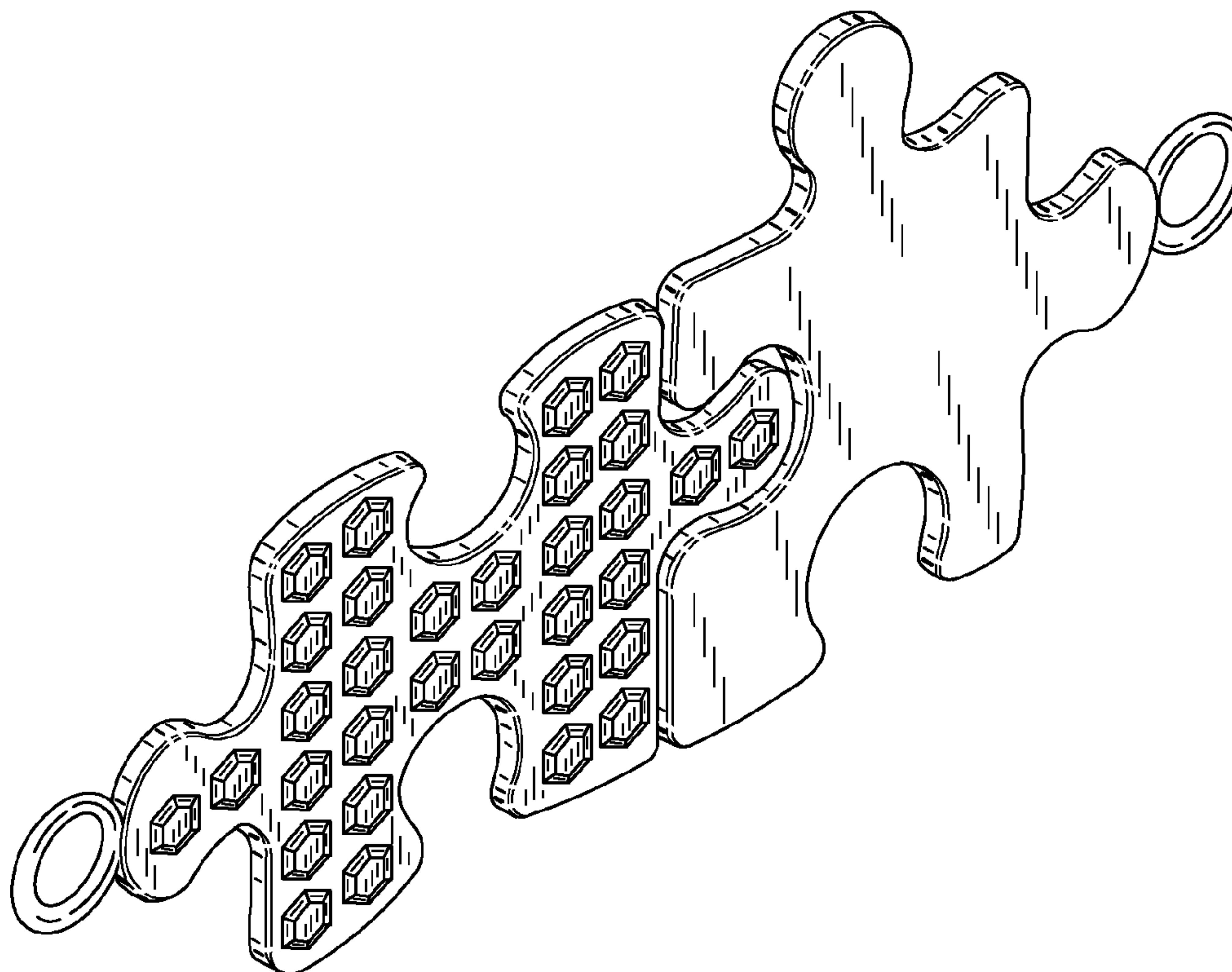
(57) **CLAIM**

The ornamental design for a jewel, as shown and described.

DESCRIPTION

FIG. 1 is a front view of the jewel;
FIG. 2 is a rear view thereof;
FIG. 3 is a top view thereof;
FIG. 4 is a bottom view thereof;
FIG. 5 is a right side view thereof;
FIG. 6 is a left side view thereof;
FIG. 7 is a front perspective view thereof; and,
FIG. 8 is a rear perspective view thereof.

1 Claim, 3 Drawing Sheets



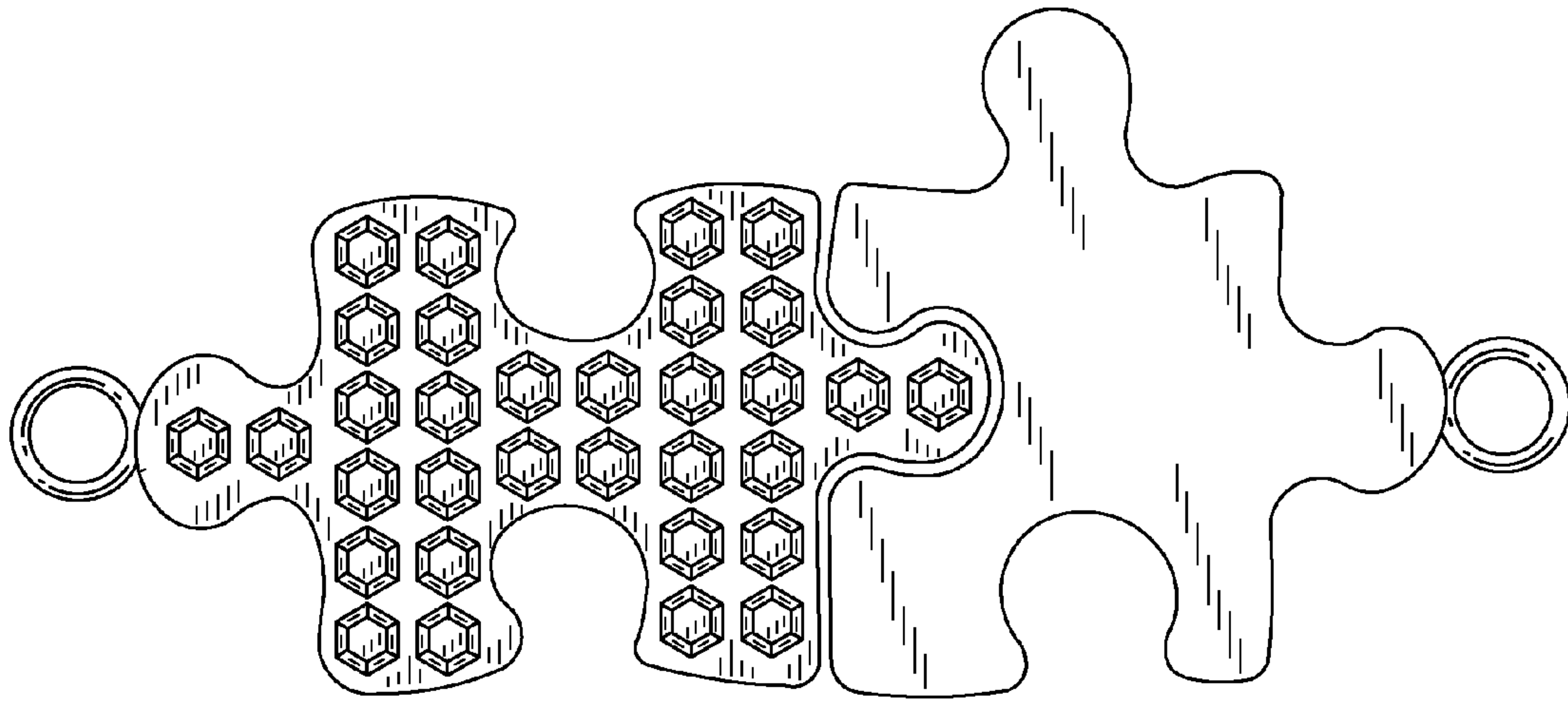


FIG. 1

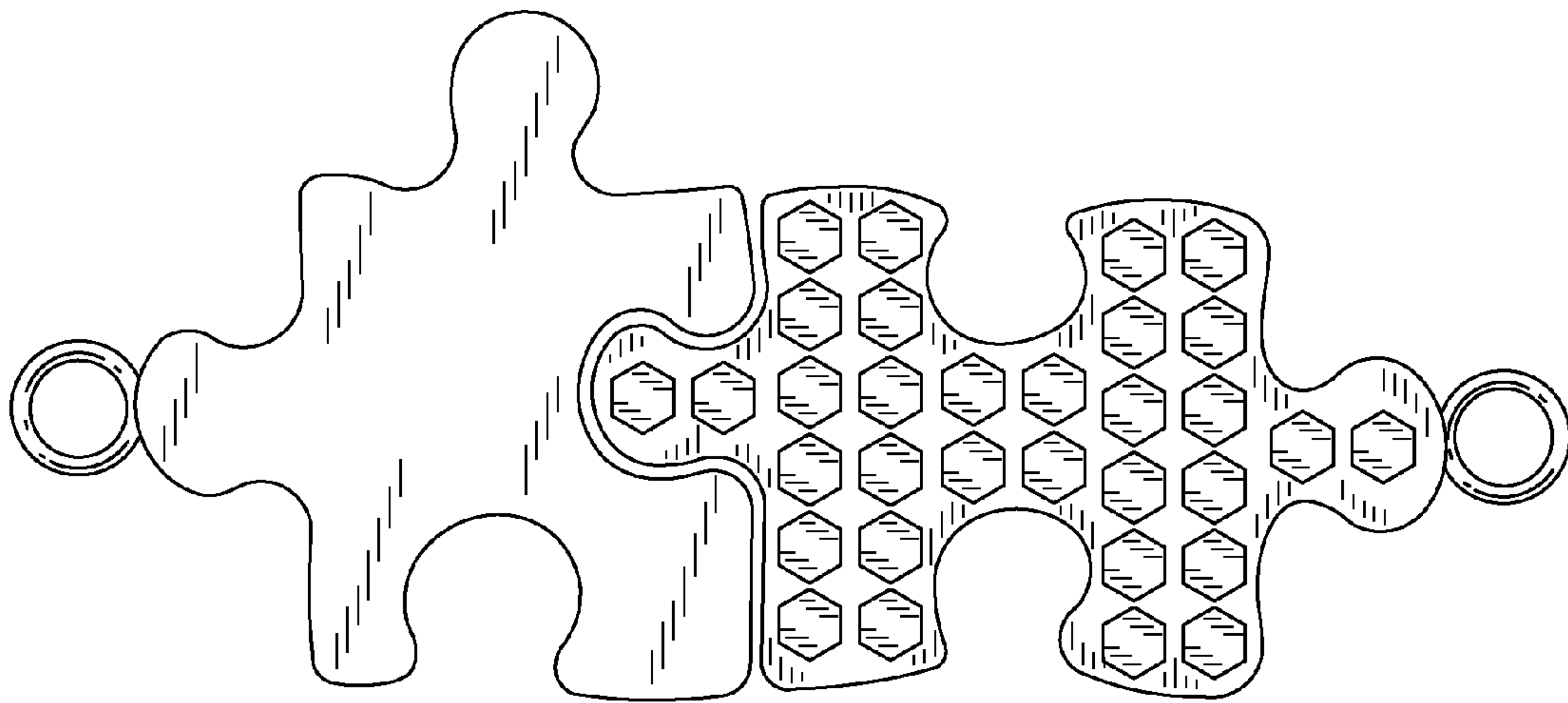


FIG. 2



FIG. 3



FIG. 4



FIG. 5



FIG. 6

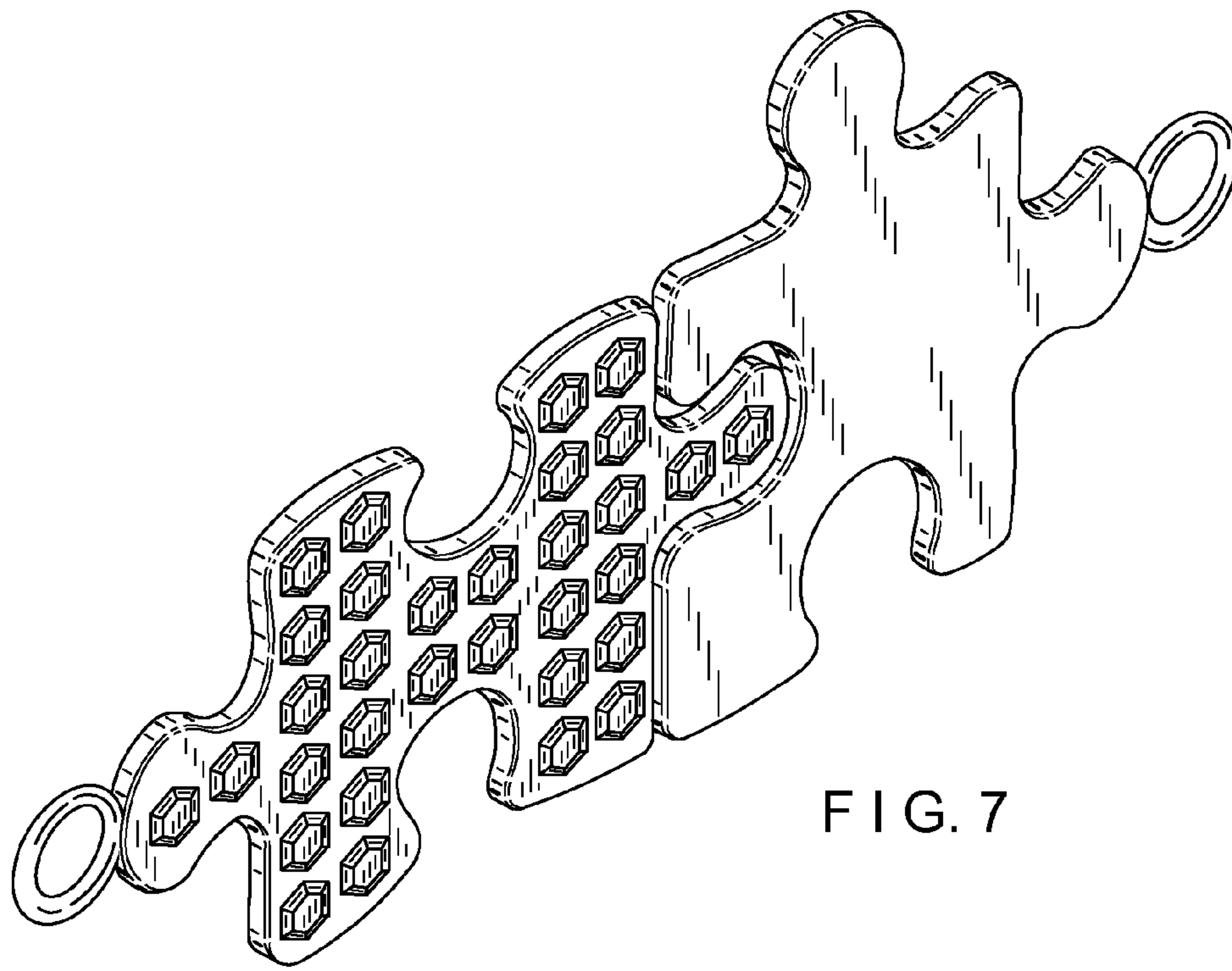


FIG. 7

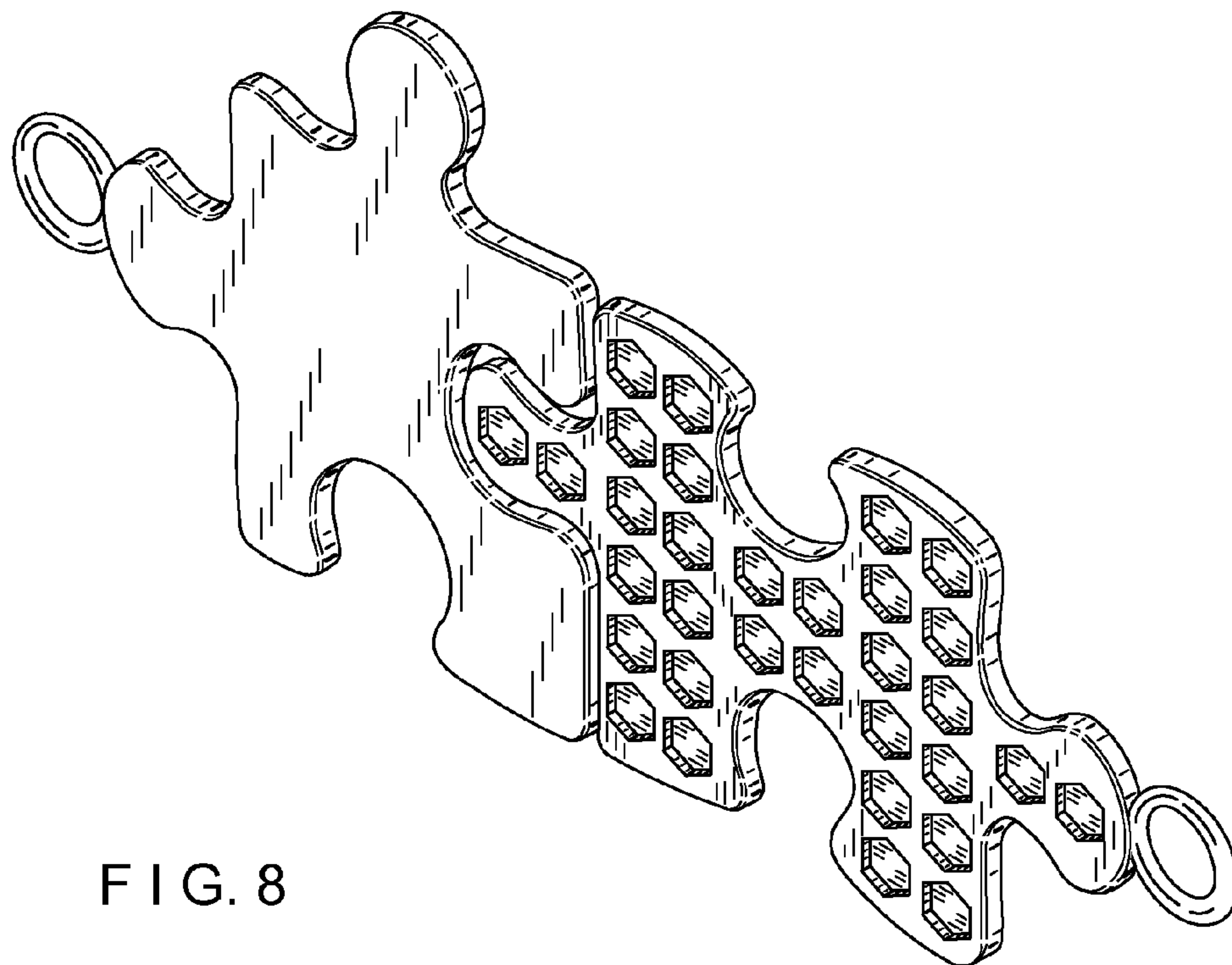


FIG. 8