



US00D637930S

(12) **United States Design Patent**
Kimura et al.

(10) **Patent No.:** **US D637,930 S**

(45) **Date of Patent:** **** May 17, 2011**

(54) **DETECTOR FOR LIQUID
CHROMATOGRAPHY APPARATUS**

(75) Inventors: **Jun Kimura**, Yawata (JP); **Masami Tomita**, Kyoto (JP)

(73) Assignee: **Shimadzu Corporation**, Kyoto (JP)

(**) Term: **14 Years**

(21) Appl. No.: **29/358,209**

(22) Filed: **Mar. 24, 2010**

(30) **Foreign Application Priority Data**

Nov. 18, 2009 (JP) 2009-026943

(51) **LOC (9) Cl.** **10-04**

(52) **U.S. Cl.** **D10/81**

(58) **Field of Classification Search** D10/81;
D24/232; 210/198.2, 635, 656, 659, 101,
210/103; 250/287, 281, 282, 299; 73/864.23,
73/61.55, 863.01, 864.21, 864.84, 23.35,
73/23.25; 95/87; 96/101, 106; 422/64, 67,
422/81

See application file for complete search history.

(56) **References Cited**

U.S. PATENT DOCUMENTS

6,847,035 B2 * 1/2005 Sharma 250/287
D515,220 S * 2/2006 Miller et al. D24/232

* cited by examiner

Primary Examiner — Antoine D Davis

(74) *Attorney, Agent, or Firm* — J.C. Patents

(57) **CLAIM**

The ornamental design for a detector for a liquid chromatography apparatus, as shown.

DESCRIPTION

FIG. 1 is a perspective view of a detector for a liquid chromatography apparatus showing our new design;

FIG. 2 is a front view thereof;

FIG. 3 is a rear view thereof;

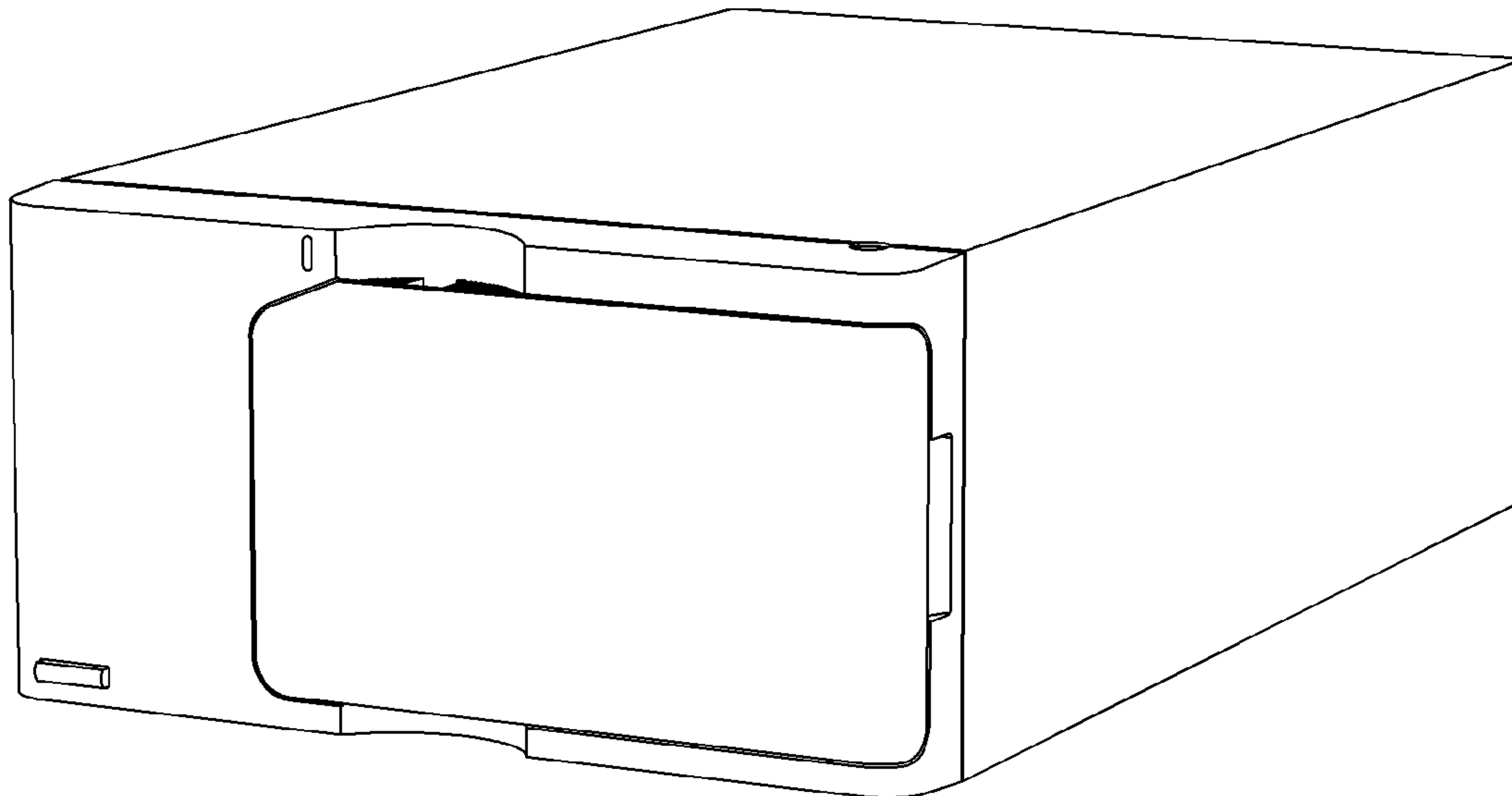
FIG. 4 is a left side view thereof;

FIG. 5 is a right side view thereof;

FIG. 6 is a top view thereof; and,

FIG. 7 is a bottom view thereof.

1 Claim, 5 Drawing Sheets



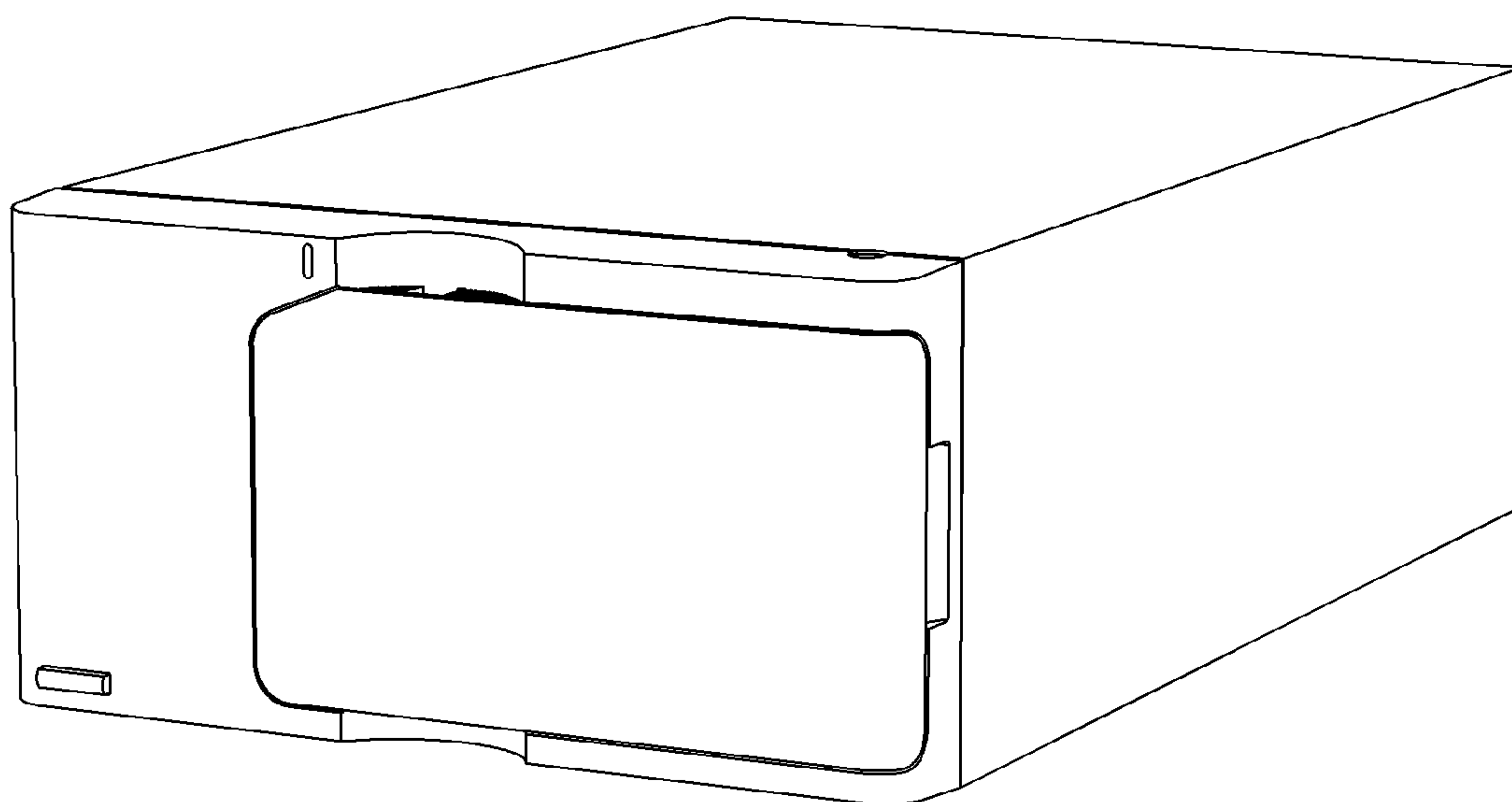


FIG. 1

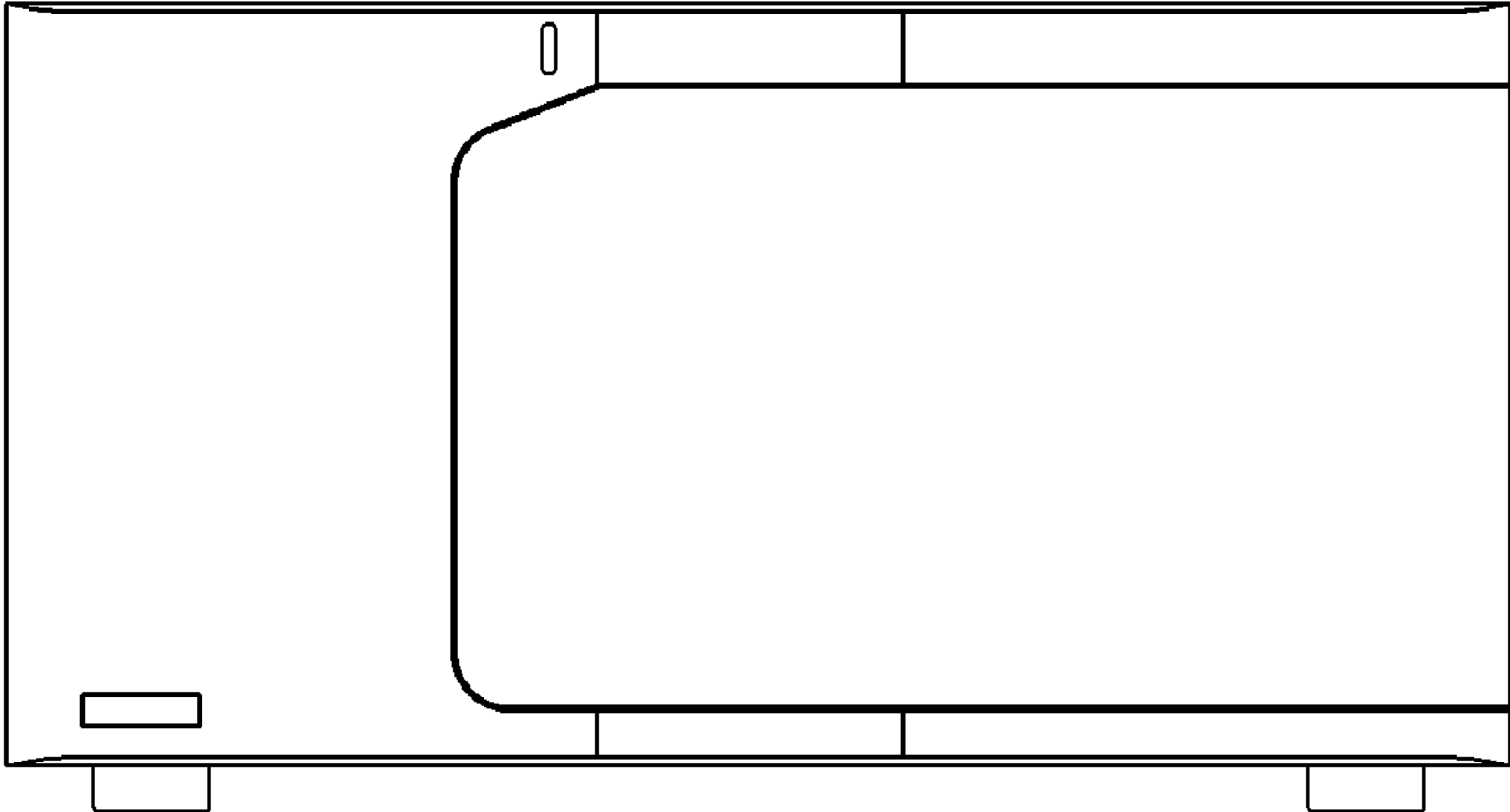


FIG. 2

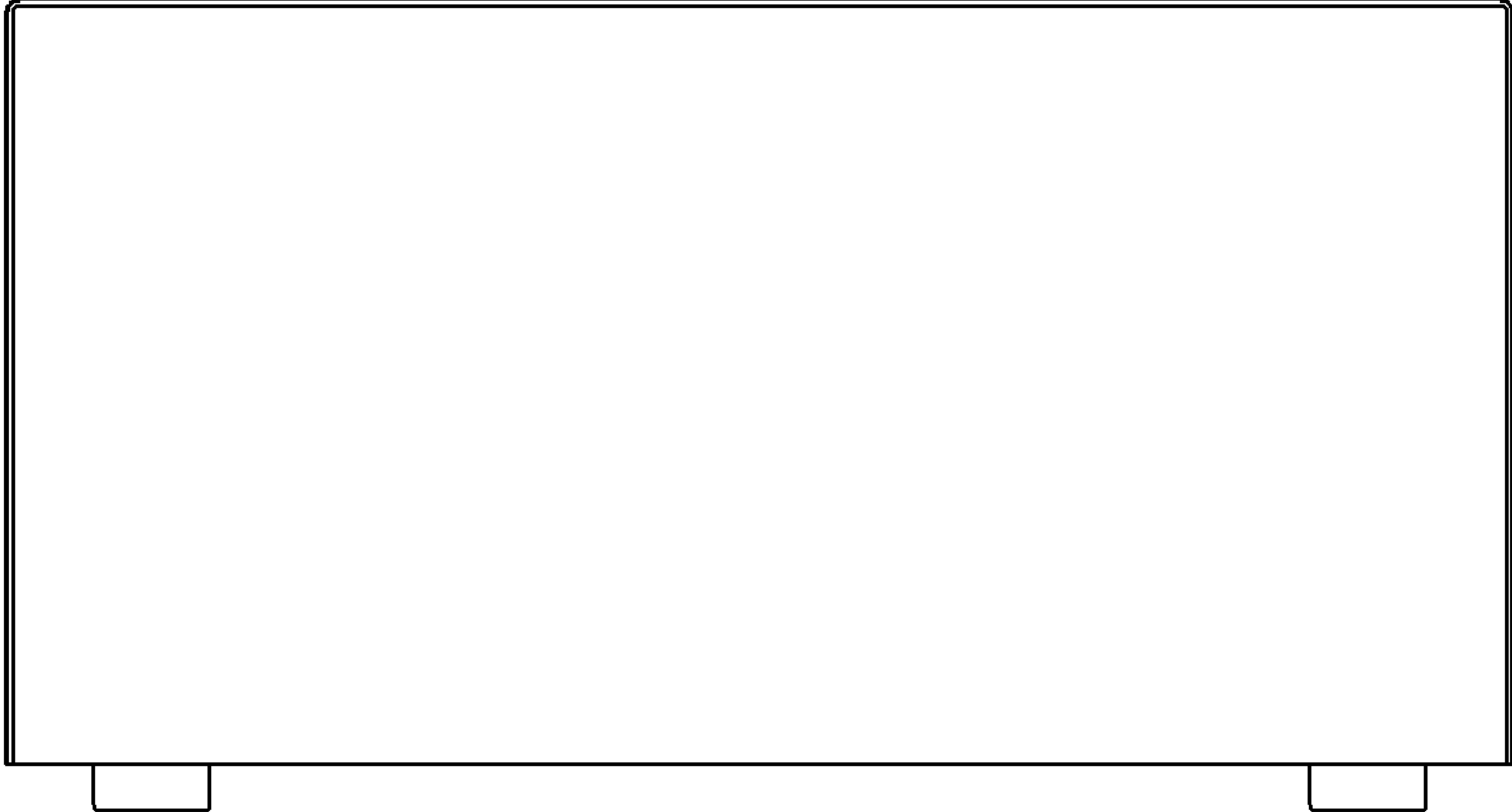


FIG. 3



FIG. 4

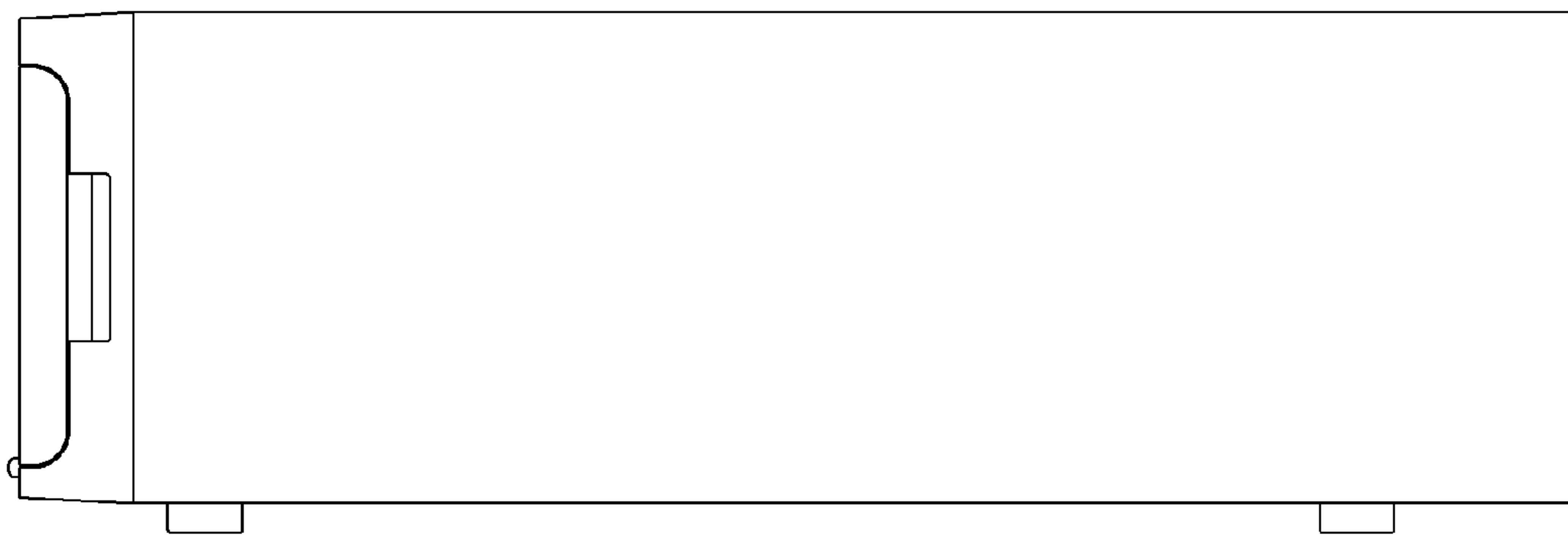


FIG. 5



FIG. 6



FIG. 7