



US00D637929S

(12) **United States Design Patent**
Kimura et al.

(10) **Patent No.:** **US D637,929 S**

(45) **Date of Patent:** **** May 17, 2011**

(54) **LIQUID CHROMATOGRAPHY APPARATUS**

(75) Inventors: **Jun Kimura**, Kyoto Pref. (JP); **Masami Tomita**, Kyoto Pref. (JP)

(73) Assignee: **Shimadzu Corporation**, Kyoto (JP)

(**) Term: **14 Years**

(21) Appl. No.: **29/358,121**

(22) Filed: **Mar. 23, 2010**

(30) **Foreign Application Priority Data**

Nov. 18, 2009 (JP) 2009-026945

(51) **LOC (9) Cl.** **10-04**

(52) **U.S. Cl.** **D10/81**

(58) **Field of Classification Search** D10/81;
D24/232; 210/198.2, 635, 656, 659, 101,
210/103; 250/287, 281, 282, 299; 73/864.23,
73/61.55, 863.01, 864.21, 864.84, 23.35,
73/23.25; 95/87; 96/101, 106; 422/64, 67,
422/81

See application file for complete search history.

(56) **References Cited**

U.S. PATENT DOCUMENTS

D340,198 S * 10/1993 Nakamoto et al. D10/81
D354,013 S * 1/1995 Ninomiya et al. D10/81

D422,925 S * 4/2000 Glaser et al. D10/81
6,103,112 A * 8/2000 Sutton et al. 210/198.2
D456,728 S * 5/2002 Oonuma et al. D10/81
D599,688 S * 9/2009 Ito D10/81

* cited by examiner

Primary Examiner — Antoine D Davis

(74) *Attorney, Agent, or Firm* — J.C. Patents

(57) **CLAIM**

The ornamental design for a liquid chromatography apparatus, as shown and described.

DESCRIPTION

FIG. 1 is a front view of a liquid chromatography apparatus showing a first embodiment of our new design;

FIG. 2 is a rear view of the first embodiment;

FIG. 3 is a left side view of the first embodiment;

FIG. 4 is a right side view of the first embodiment;

FIG. 5 is a top view of the first embodiment;

FIG. 6 is a bottom view of the first embodiment

FIG. 7 is a front view of a second embodiment;

FIG. 8 is a rear view of the second embodiment;

FIG. 9 is a left side view of the second embodiment;

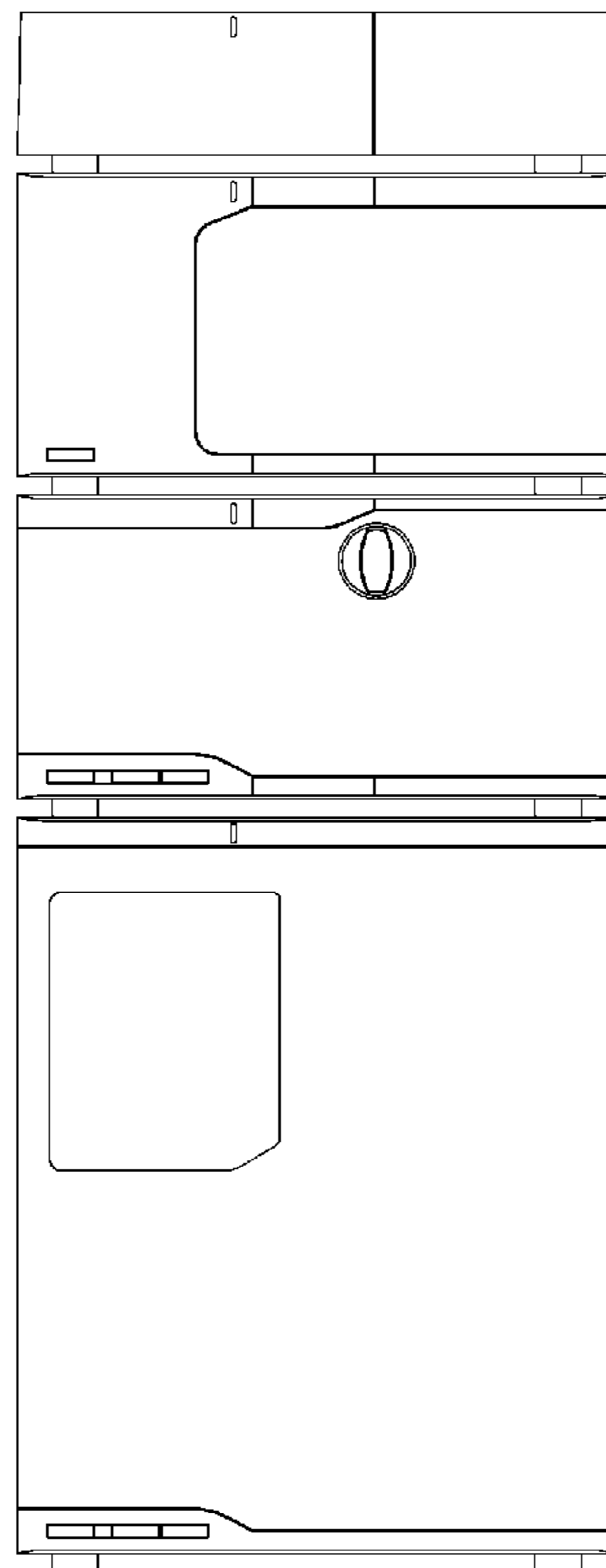
FIG. 10 is a right side view of the second embodiment;

FIG. 11 is a top view of the second embodiment; and,

FIG. 12 is a bottom view of the second embodiment.

The second embodiment is similar to the first embodiment, but has one more unit located between the units.

1 Claim, 12 Drawing Sheets



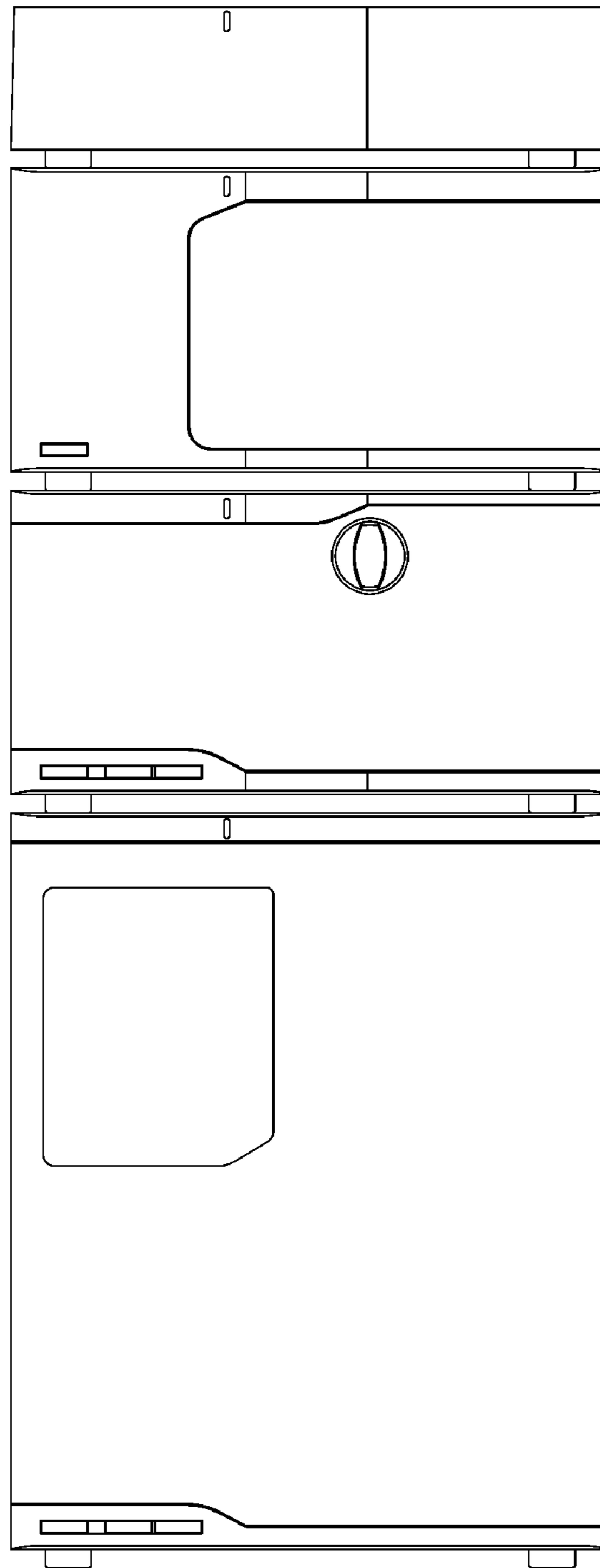


FIG. 1

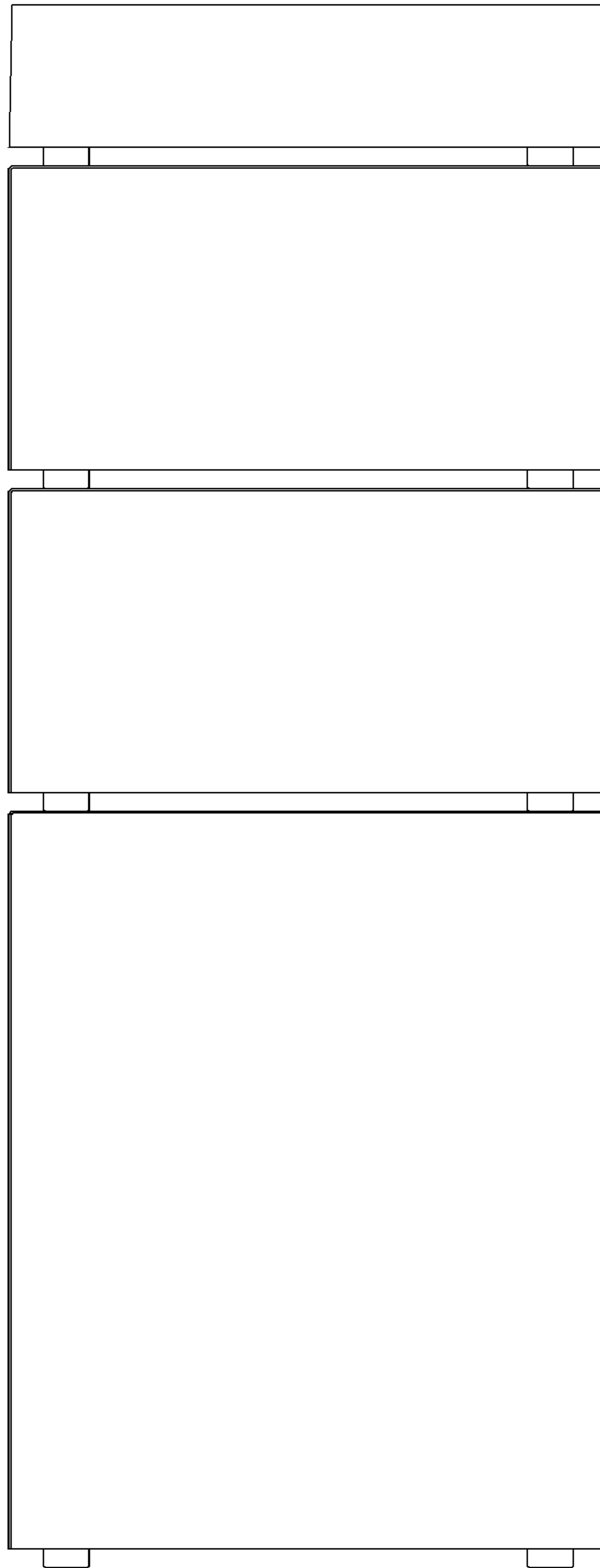


FIG. 2

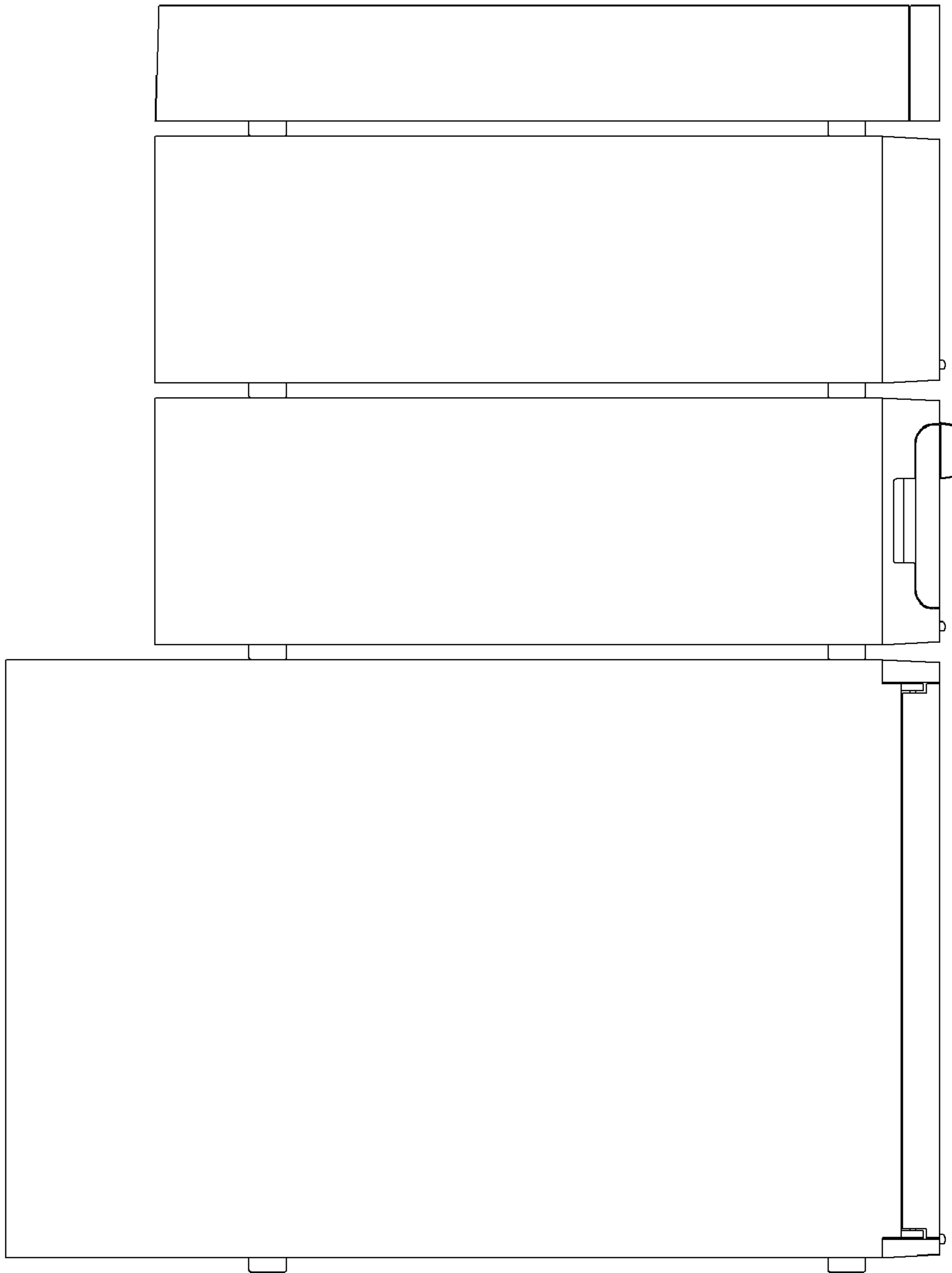


FIG. 3

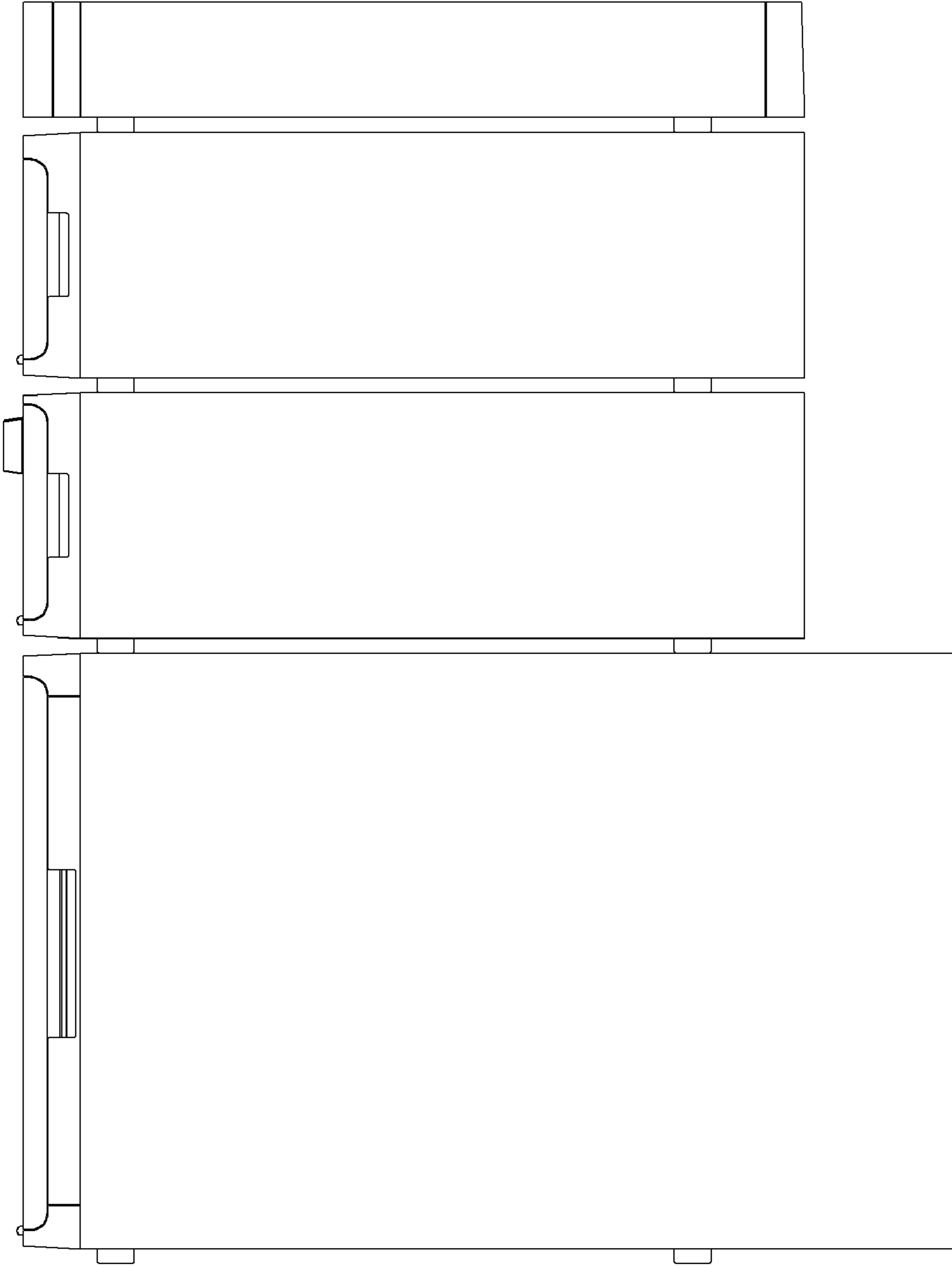


FIG. 4

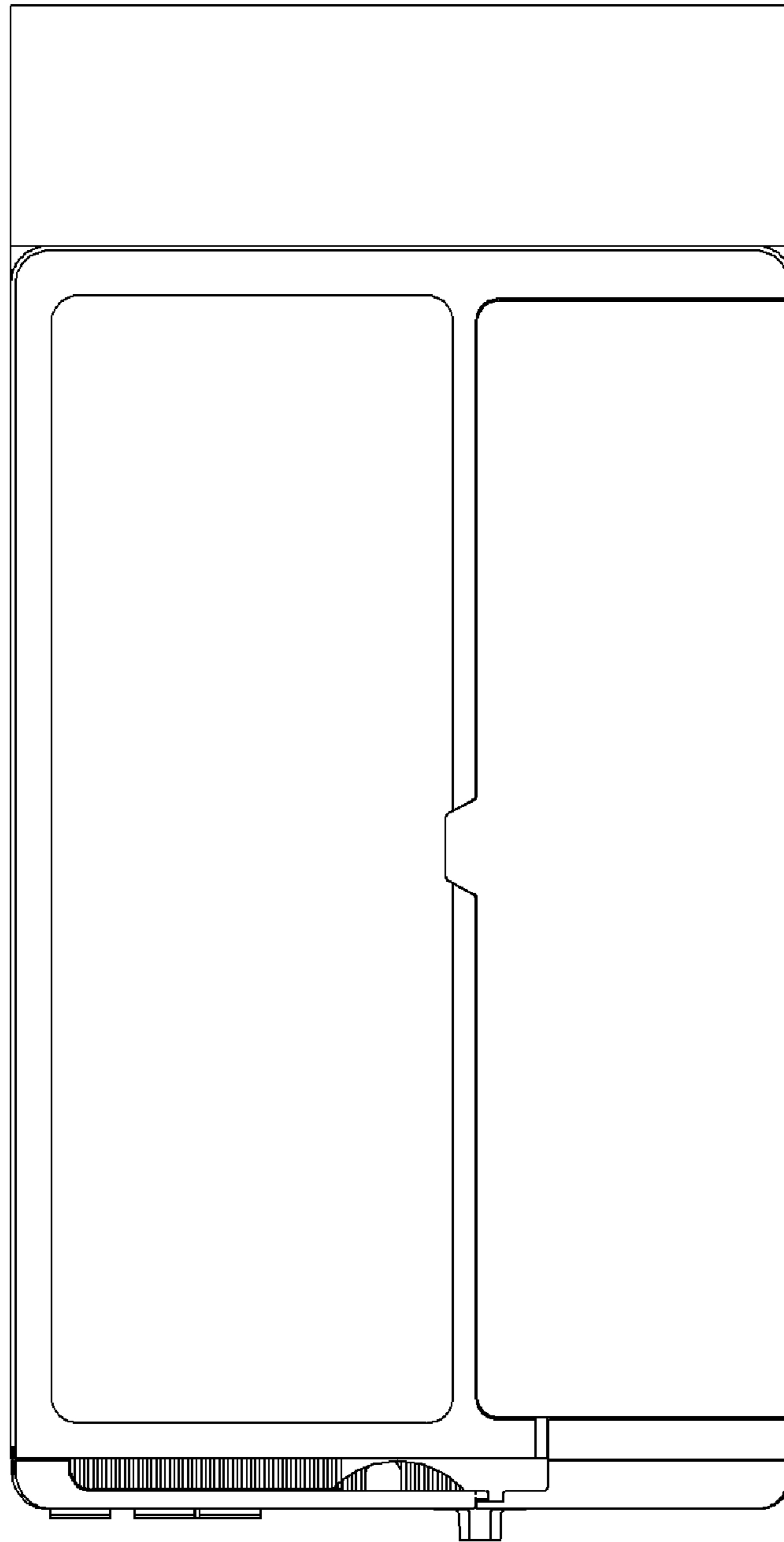


FIG. 5

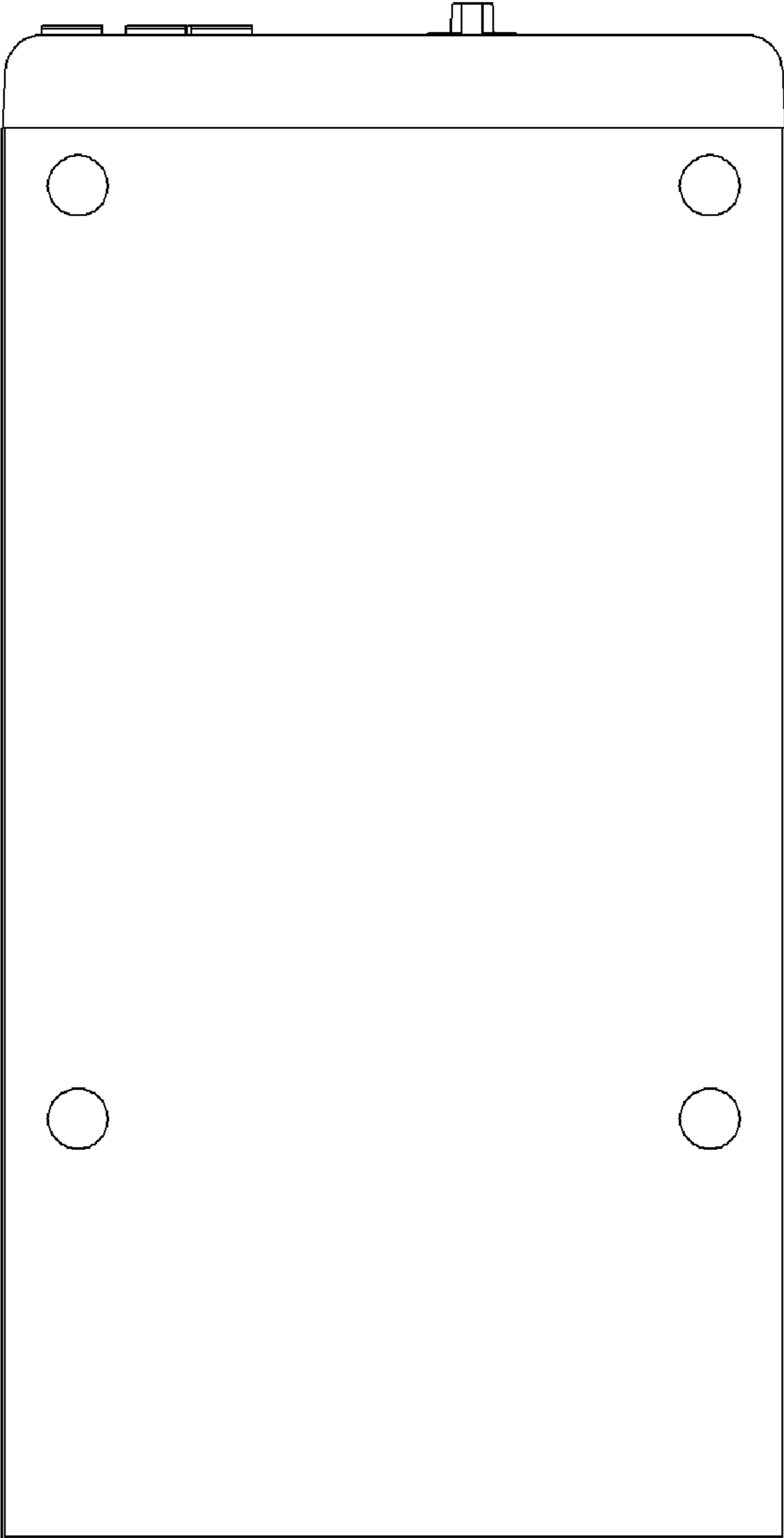


FIG. 6

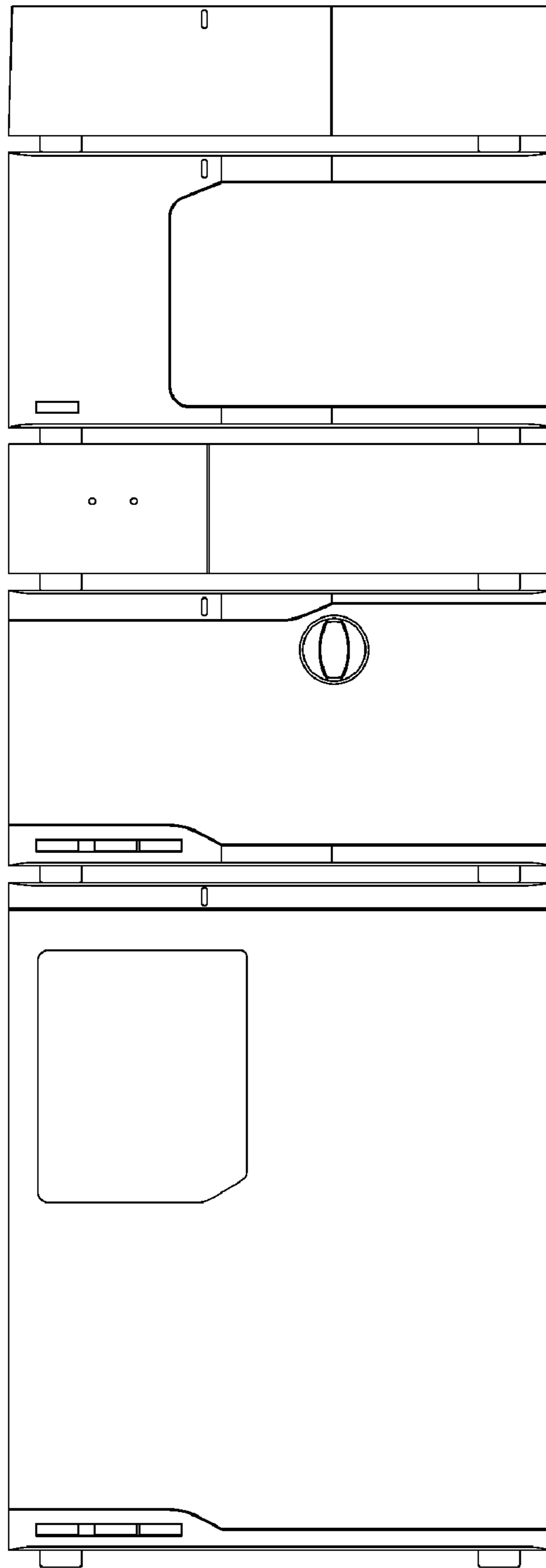


FIG. 7

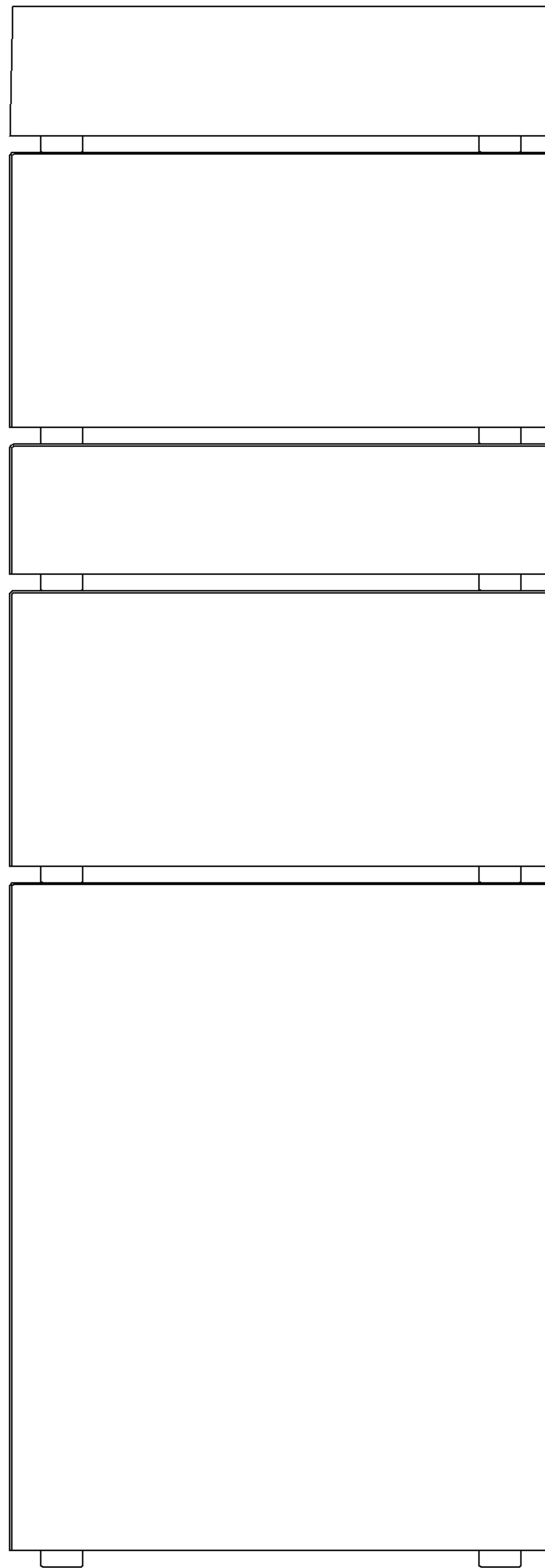


FIG. 8

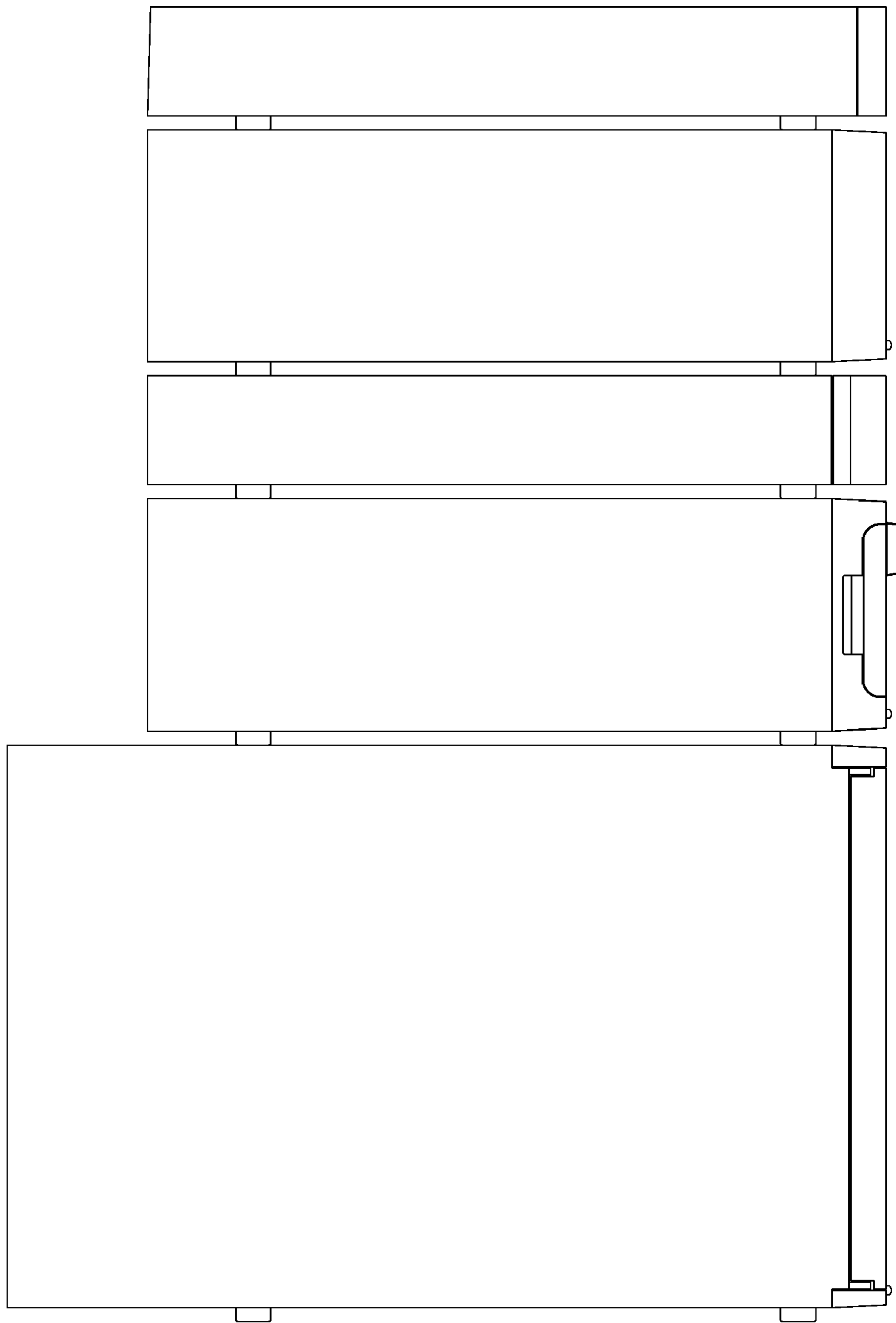


FIG. 9

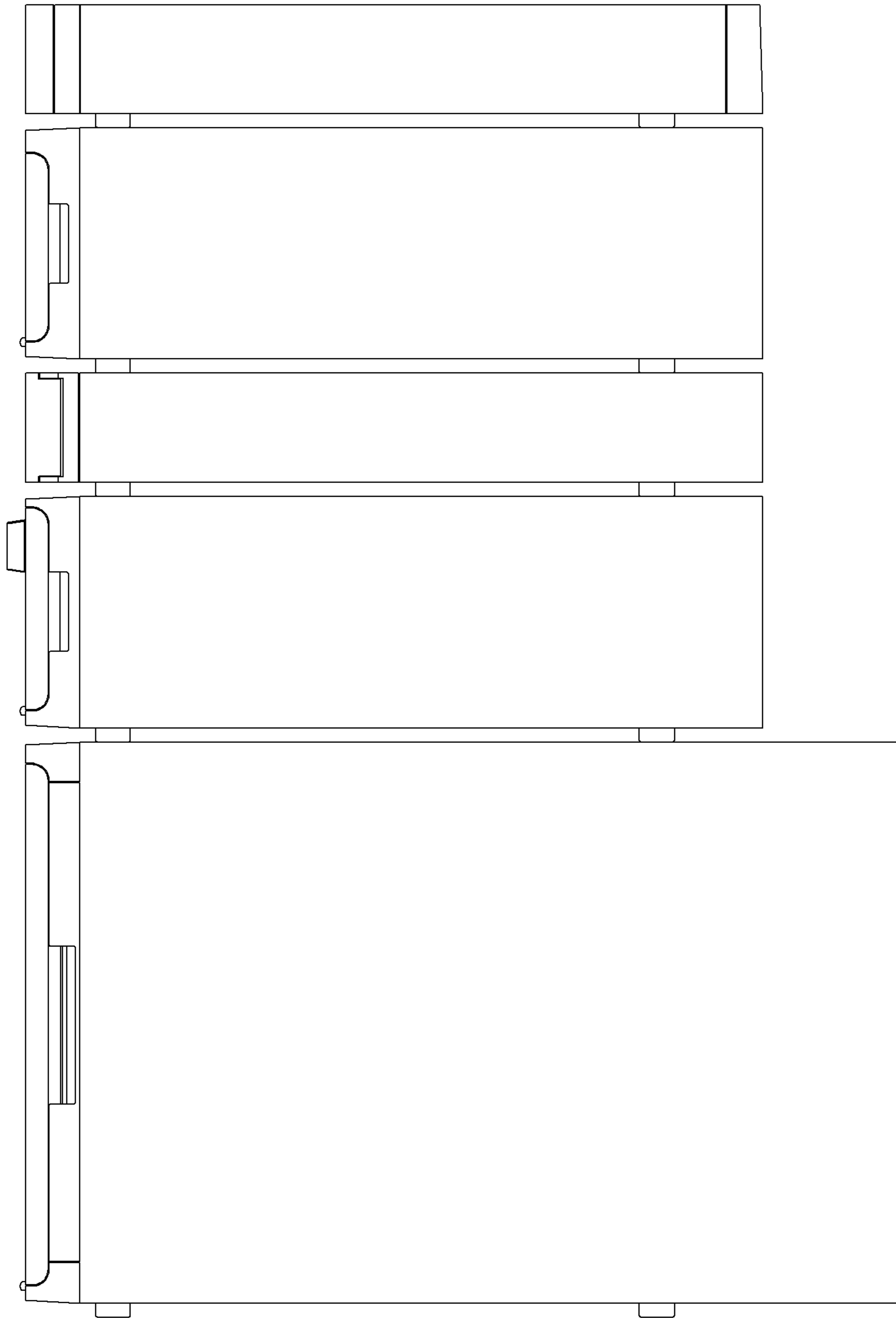


FIG. 10

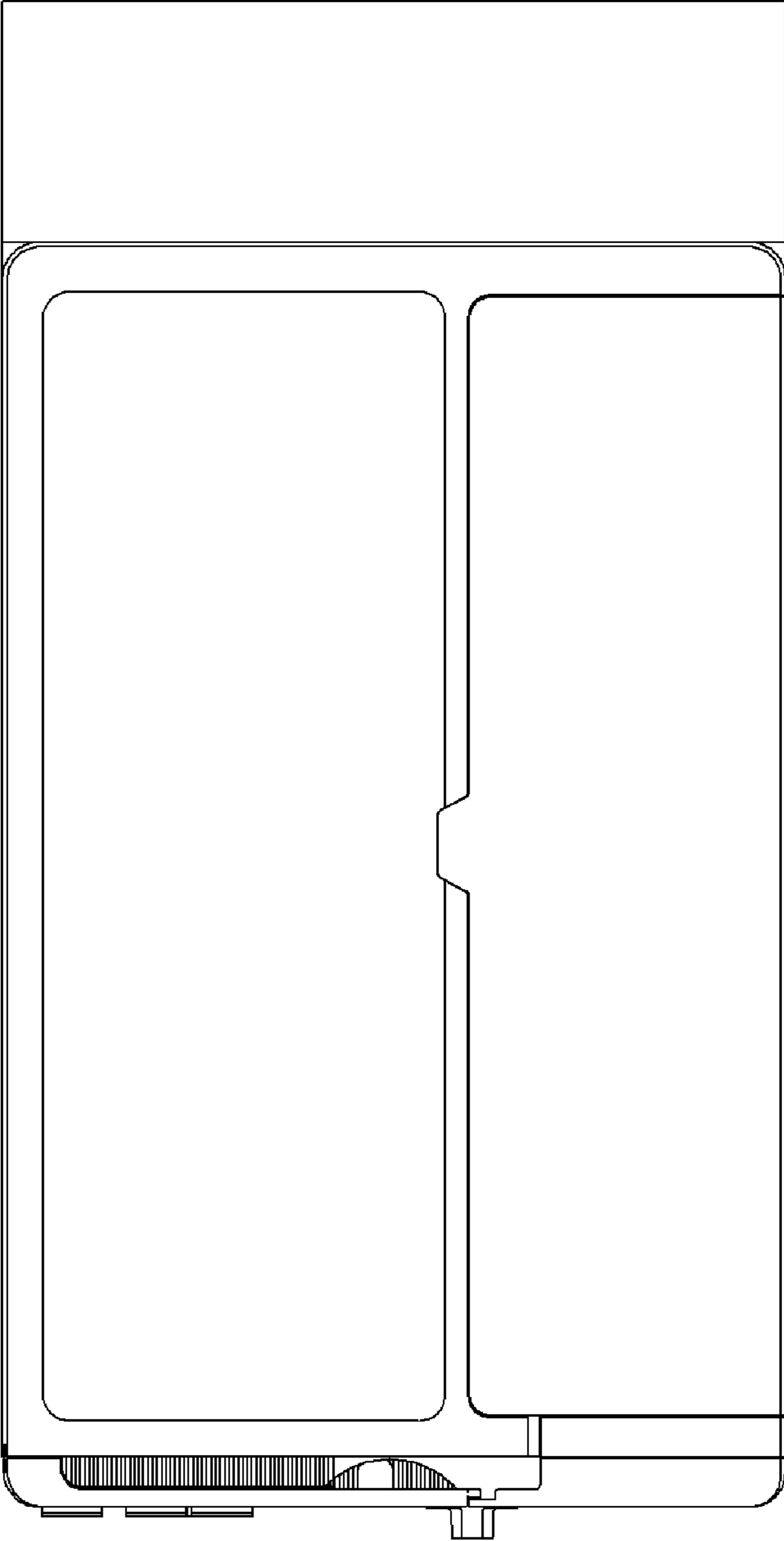


FIG. 11

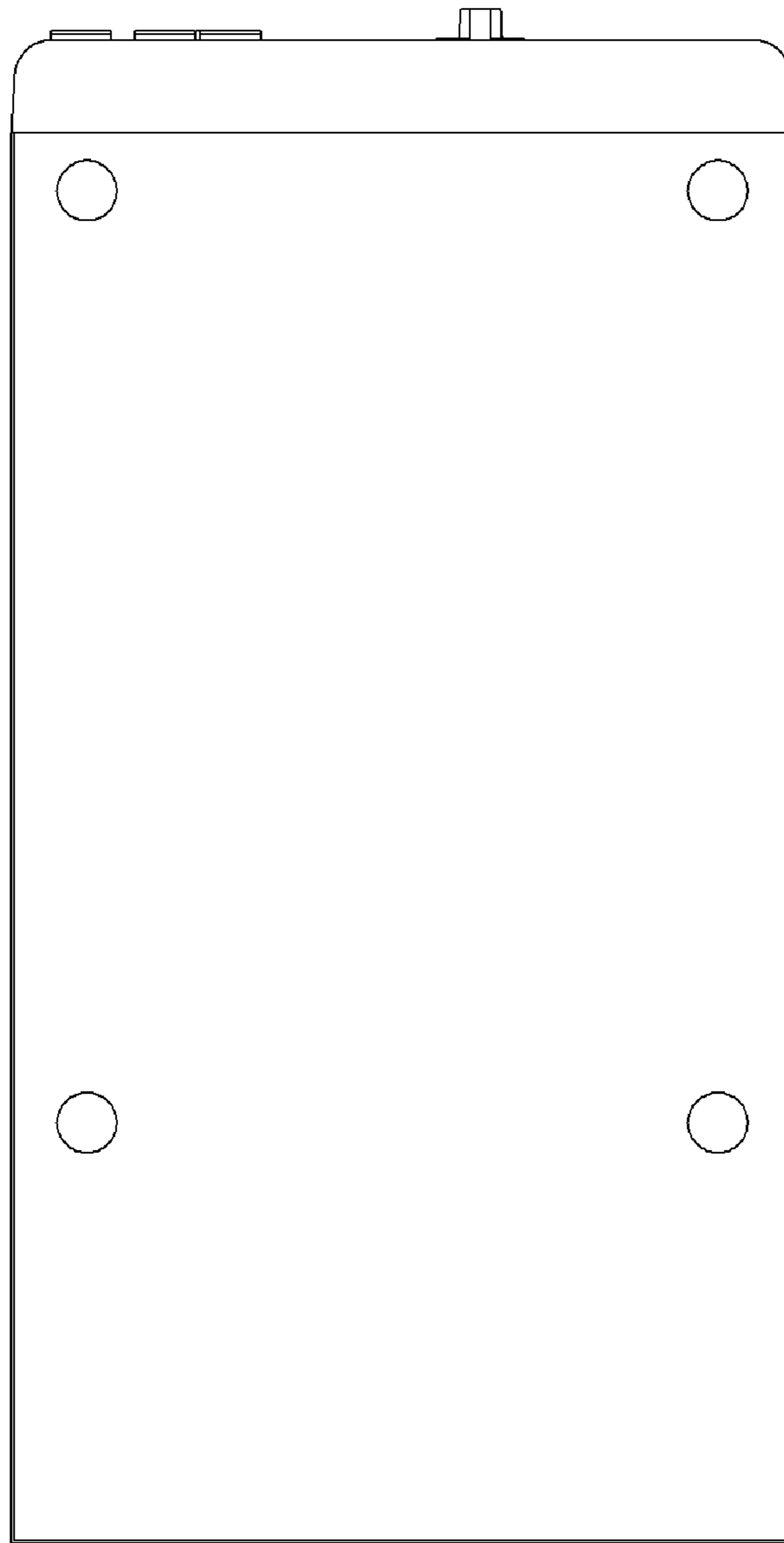


FIG. 12