



US00D637927S

(12) **United States Design Patent**
Gilham

(10) **Patent No.:** **US D637,927 S**

(45) **Date of Patent:** **** May 17, 2011**

(54) **ELECTRICAL TEST DEVICE**

(75) Inventor: **Andrew Michael Gilham**, Dover (GB)

(73) Assignee: **Megger Limited**, Dover, Kent (GB)

(**) Term: **14 Years**

(21) Appl. No.: **29/369,220**

(22) Filed: **Sep. 3, 2010**

(30) **Foreign Application Priority Data**

Mar. 8, 2010 (EP) 001201149

(51) **LOC (9) Cl.** **10-04**

(52) **U.S. Cl.** **D10/79**

(58) **Field of Classification Search** D10/79;

324/72.5, 556, 133, 149, 503, 543, 555, 66,

324/72, 754, 115, 141, 116; 340/635, 687

See application file for complete search history.

(56) **References Cited**

U.S. PATENT DOCUMENTS

D184,402 S * 2/1959 Koch D10/79

D419,467 S * 1/2000 Kaise et al. D10/79

* cited by examiner

Primary Examiner — Antoine D Davis

(74) *Attorney, Agent, or Firm* — Sunstein Kann Murphy & Timbers LLP

(57) **CLAIM**

The ornamental design for an electrical test device, as shown and described.

DESCRIPTION

FIG. 1 is a perspective view of an electrical test device according to my design;

FIG. 2 is front view thereof;

FIG. 3 is back view thereof;

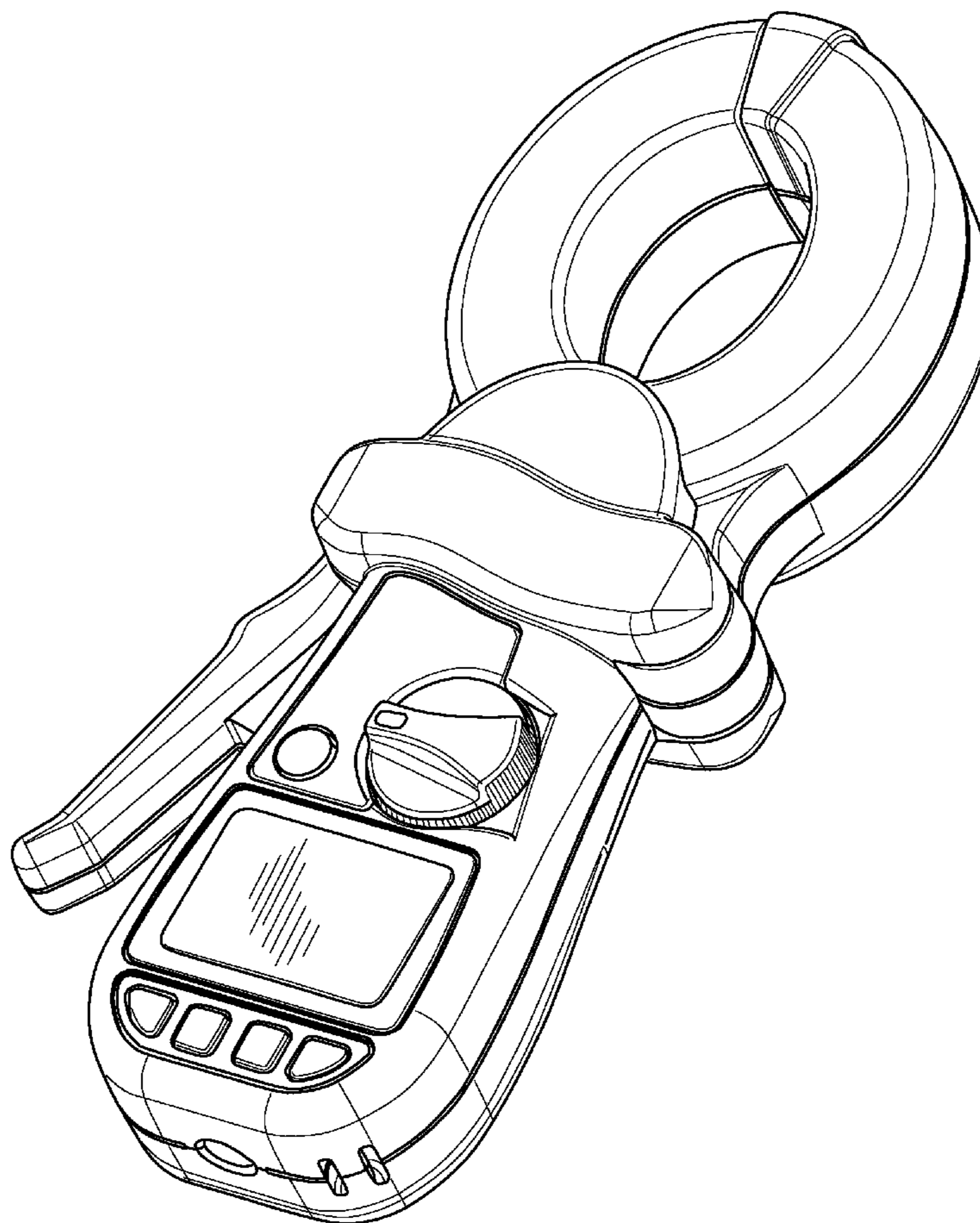
FIG. 4 is a first side view thereof;

FIG. 5 is a second side view thereof;

FIG. 6 is a top view thereof; and,

FIG. 7 is a bottom view thereof.

1 Claim, 5 Drawing Sheets



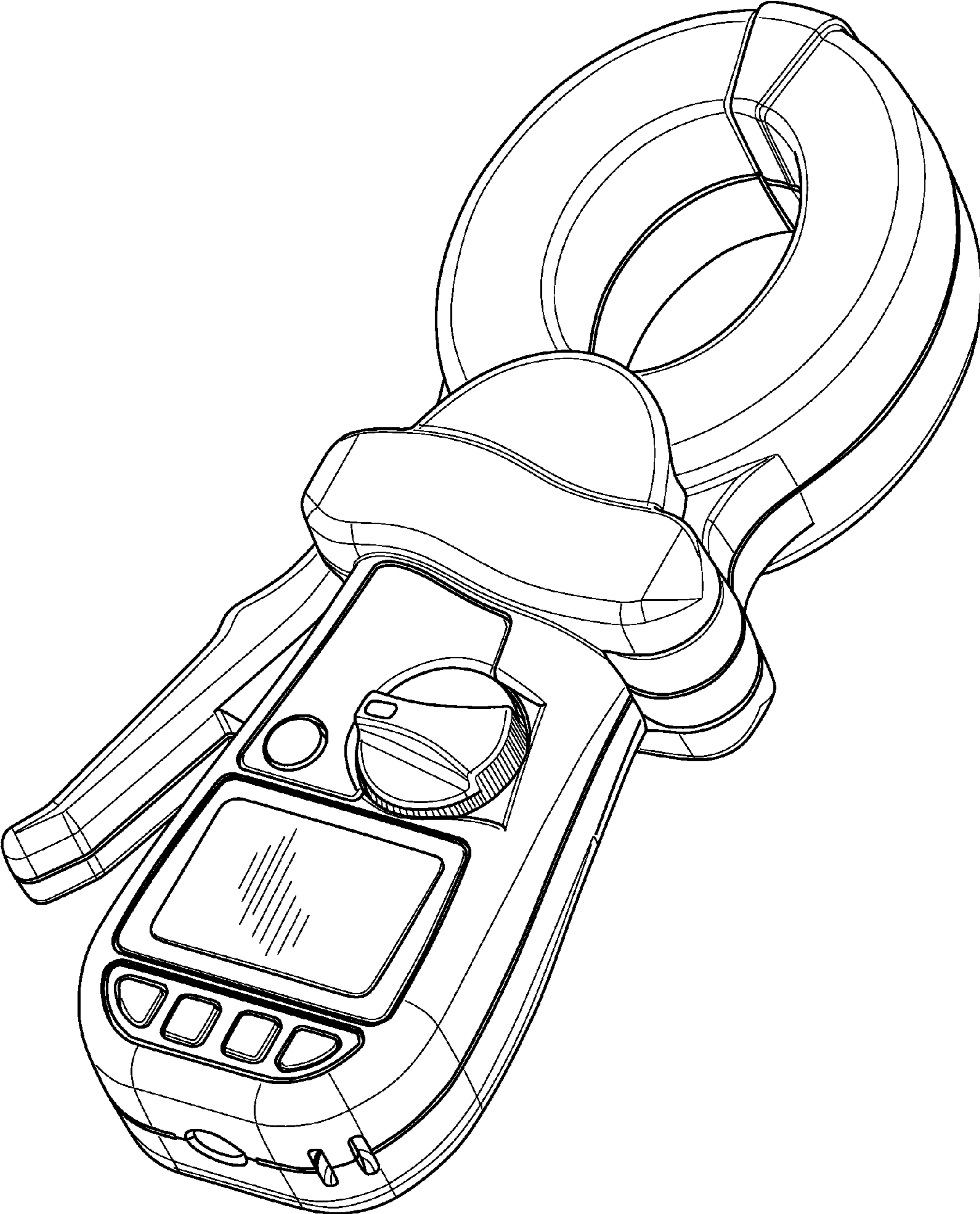


FIG. 1

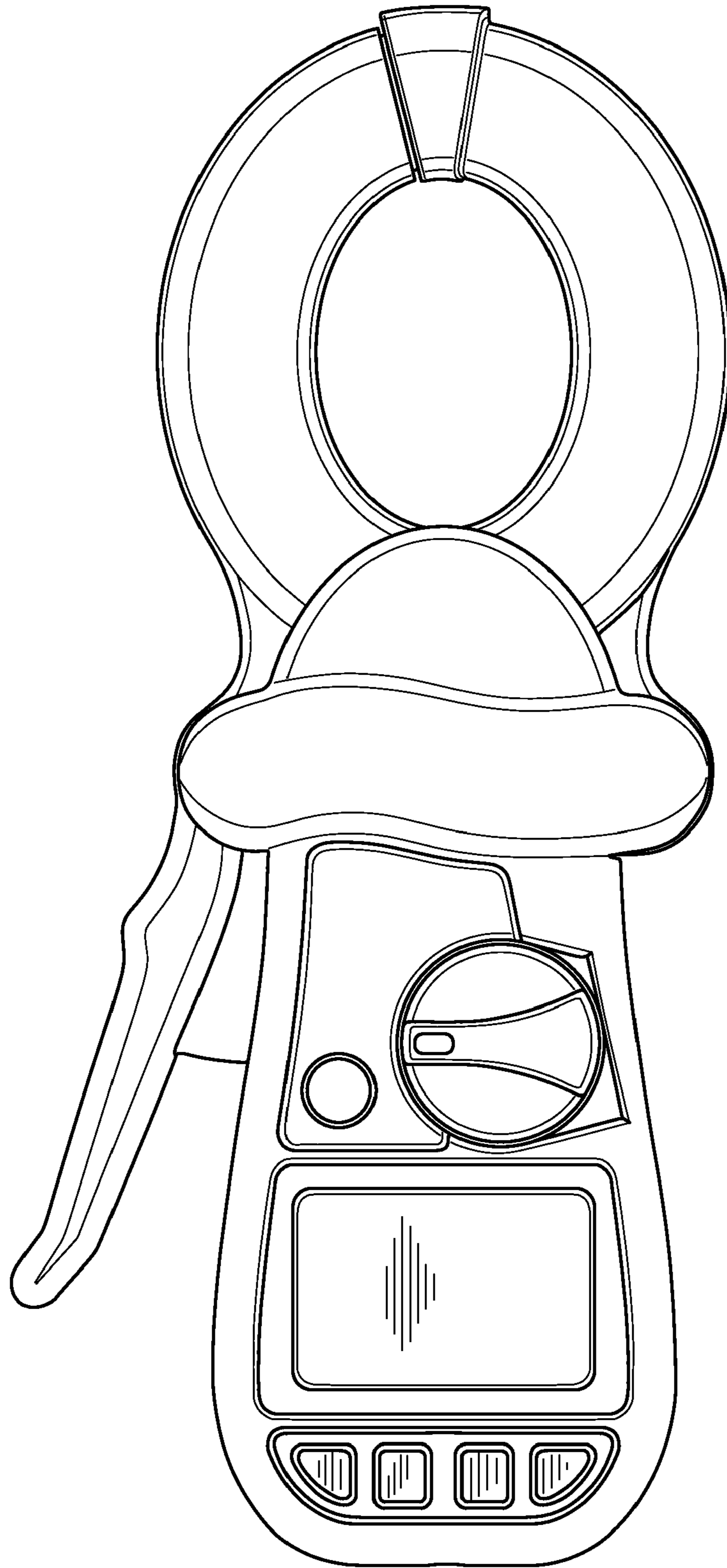


FIG. 2

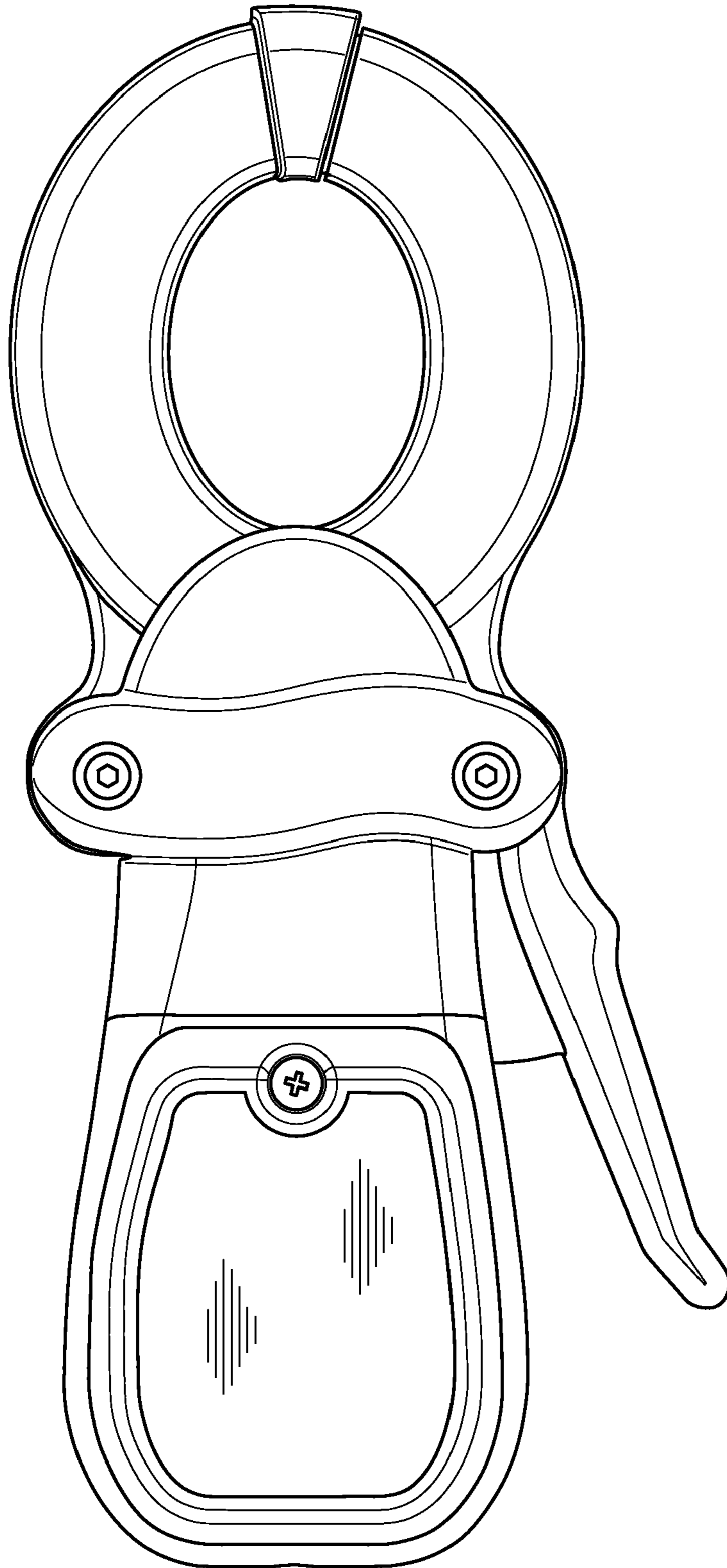


FIG. 3

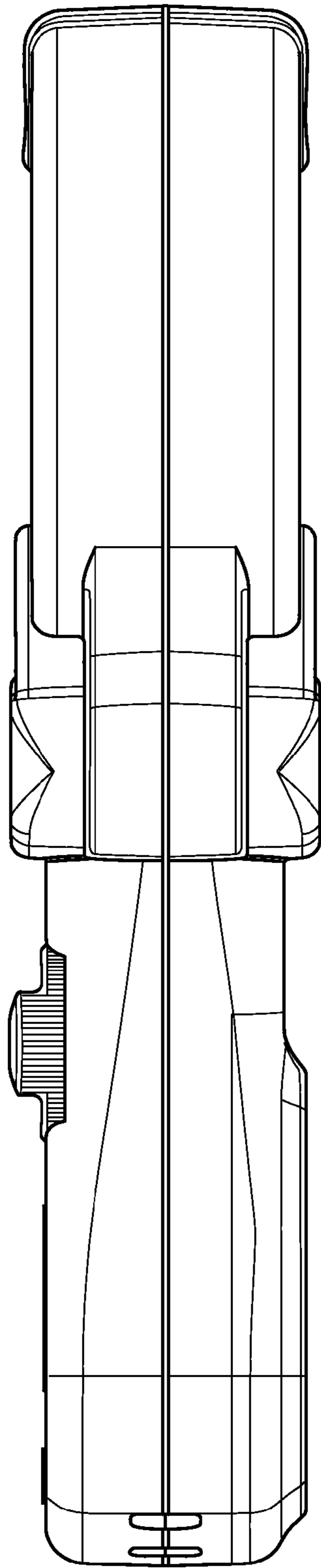


FIG. 4

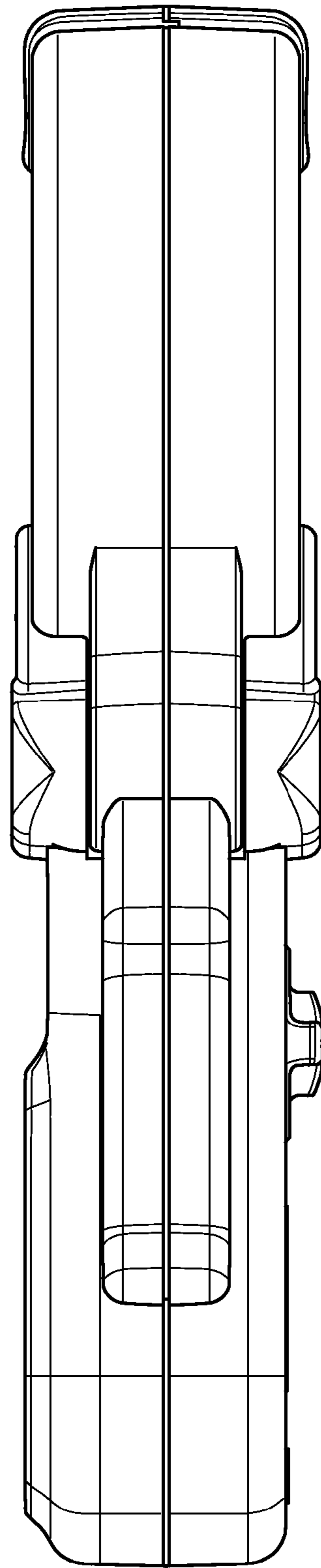


FIG. 5

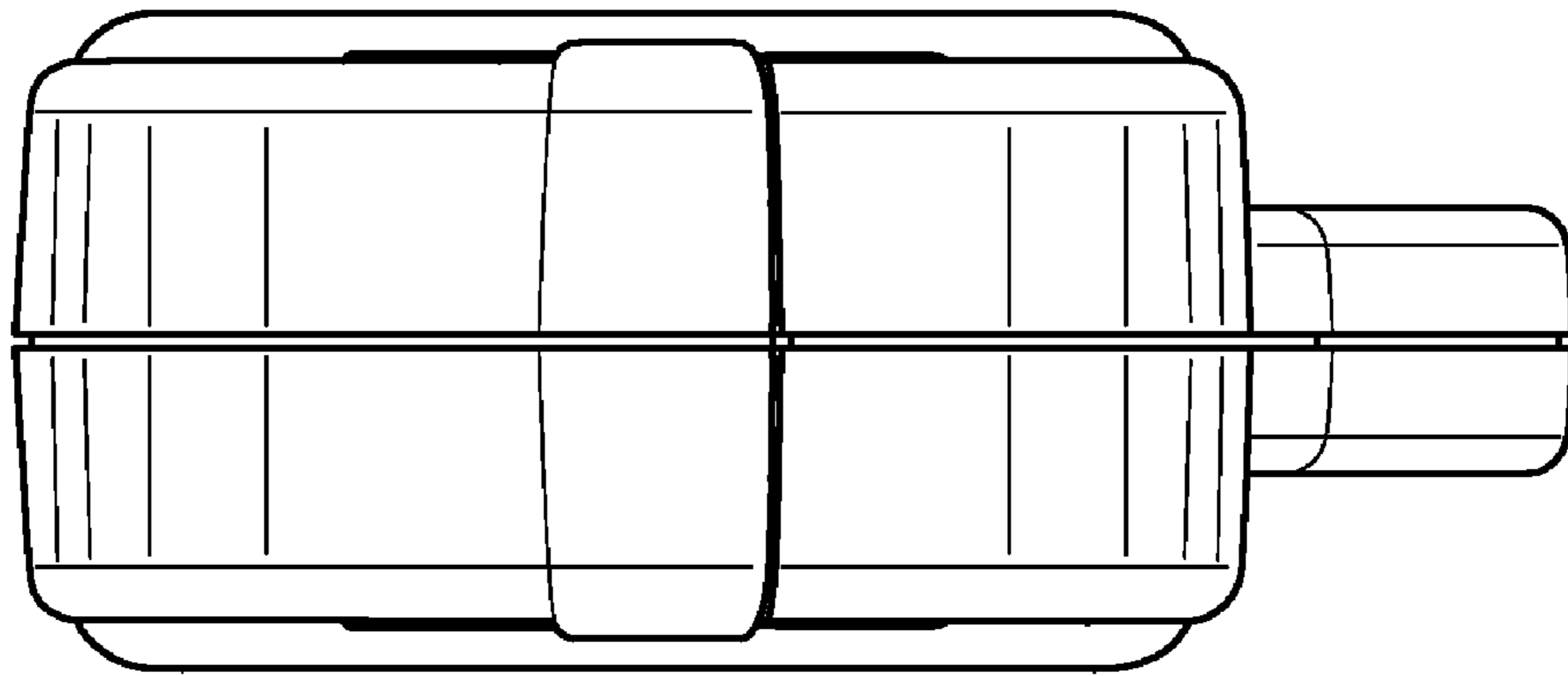


FIG. 6

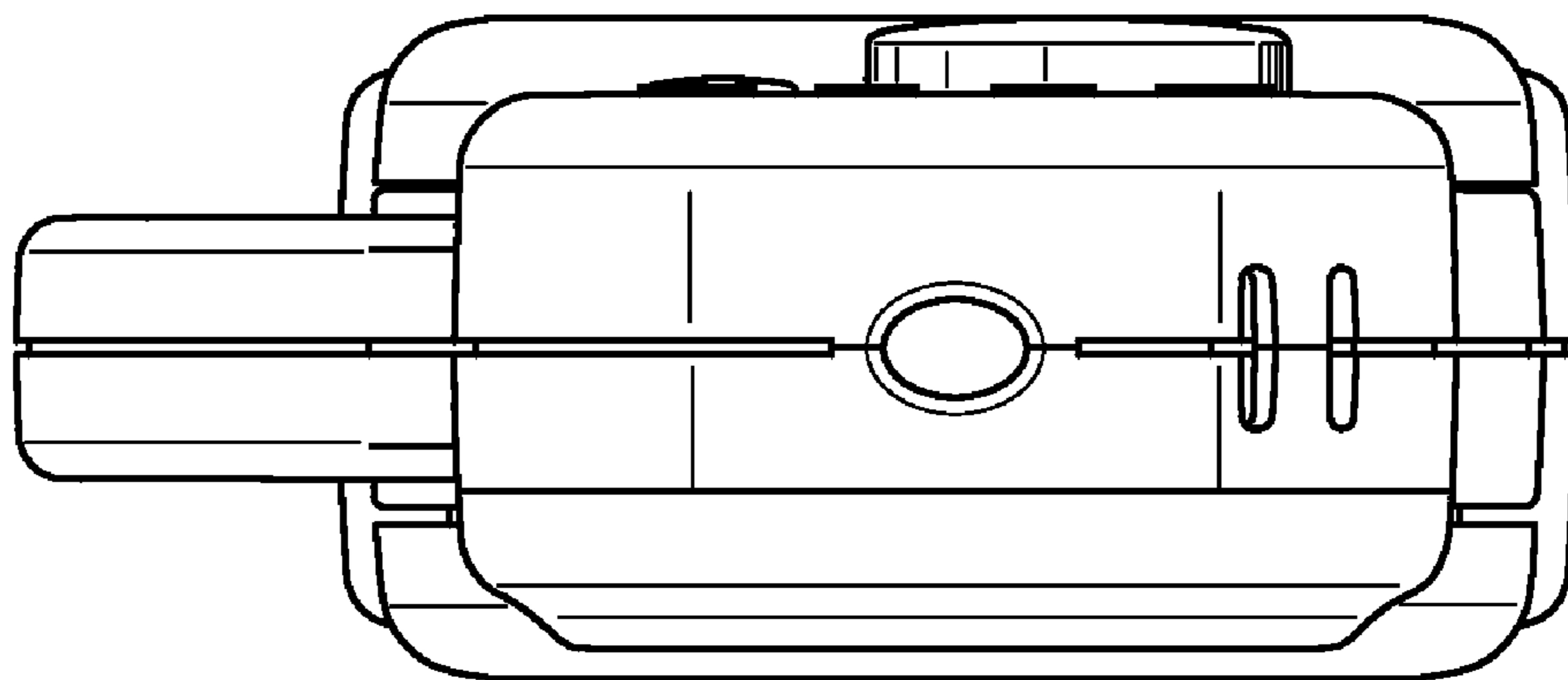


FIG. 7