



US00D637924S

(12) **United States Design Patent**
Boutwell et al.

(10) **Patent No.:** **US D637,924 S**

(45) **Date of Patent:** **** May 17, 2011**

(54) **ICE FISHING DEPTH FINDER**

6,791,902 B1 9/2004 Steiner et al.
D570,444 S 6/2008 Scott et al.

(75) Inventors: **Scot Boutwell**, Trego, WI (US); **Mitch Arnold**, Spicer, MN (US)

* cited by examiner

(73) Assignee: **A & B Outdoors, LLC**, Spicer, MN (US)

Primary Examiner — Antoine D Davis

(74) *Attorney, Agent, or Firm* — Dicke, Billig & Czaja, PLLC

(**) Term: **14 Years**

(57) **CLAIM**

The ornamental design for an ice fishing depth finder, as shown and described.

(21) Appl. No.: **29/377,832**

(22) Filed: **Oct. 26, 2010**

DESCRIPTION

(51) **LOC (9) Cl.** **10-04**

(52) **U.S. Cl.** **D10/65; D22/131**

(58) **Field of Classification Search** D10/65;
D22/131, 133; 43/2.22, 17.6, 42.23; 367/99,
367/107

FIG. 1 is a perspective view of the ice fishing depth finder according to an embodiment of the invention.

FIG. 2 is a first side view of the ice fishing depth finder.

FIG. 3 is a second side view of the ice fishing depth finder.

FIG. 4 is a top view of the ice fishing depth finder.

FIG. 5 is a bottom view of the ice fishing depth finder.

FIG. 6 is a front view of the ice fishing depth finder; and,

FIG. 7 is a back view of the ice fishing depth finder.

The broken line showing of the clip is included for the purpose of illustrating non-claimed subject matter and forms no part of the claimed design.

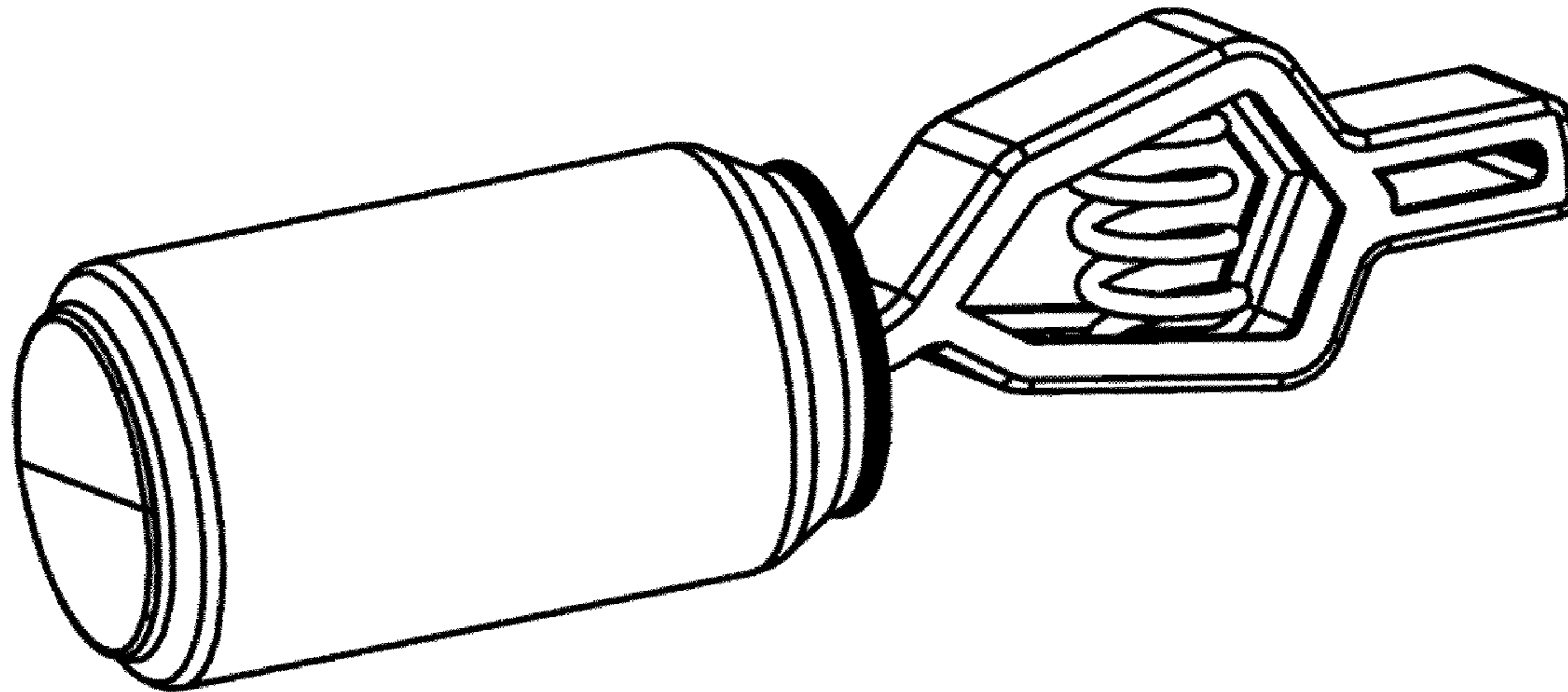
See application file for complete search history.

(56) **References Cited**

U.S. PATENT DOCUMENTS

5,299,107 A * 3/1994 Ratcliffe et al. 362/158
5,329,721 A 7/1994 Smith

1 Claim, 2 Drawing Sheets



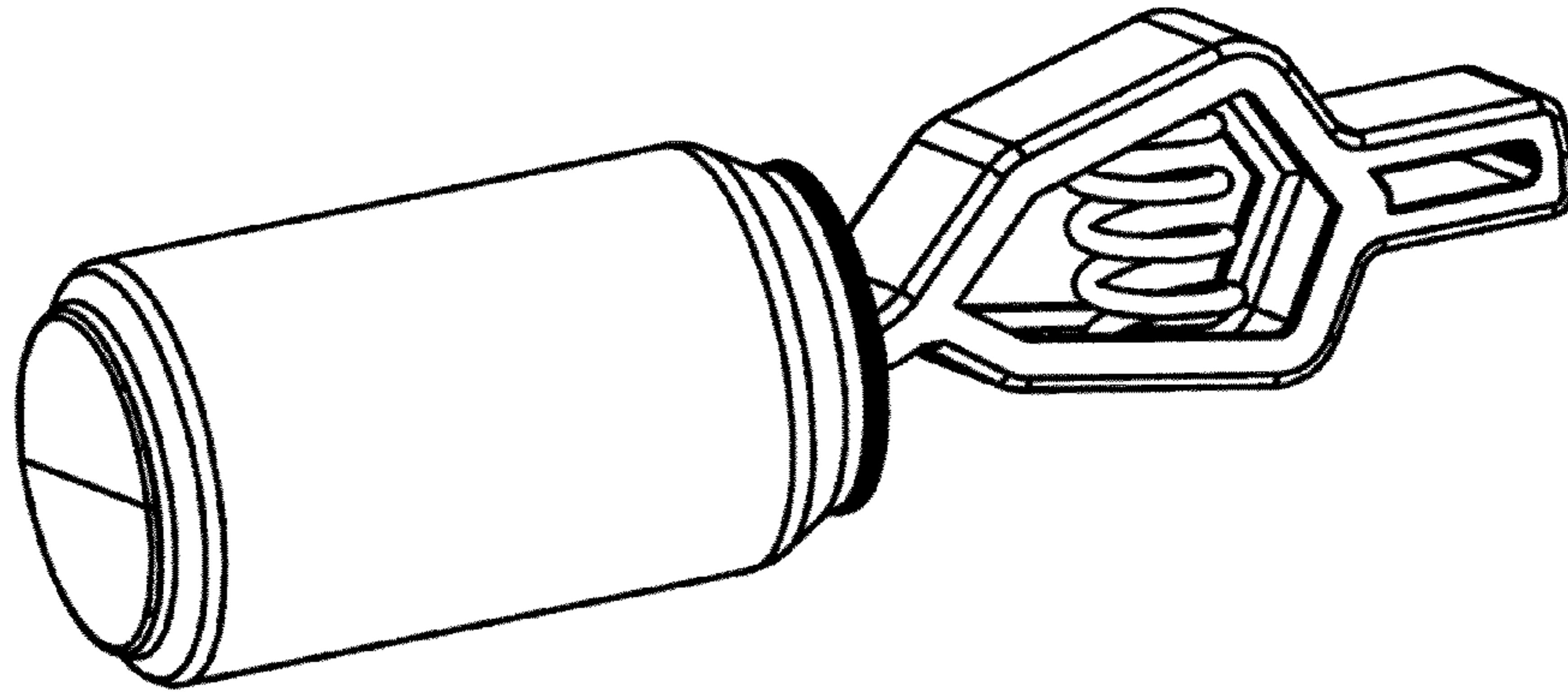


Fig. 1

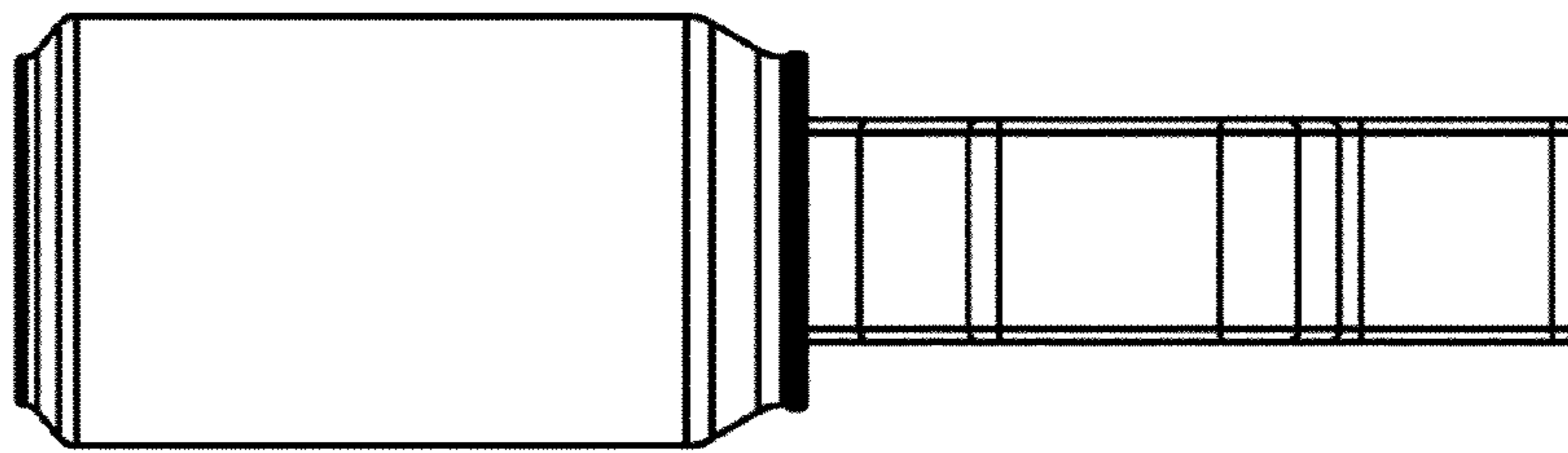


Fig. 2

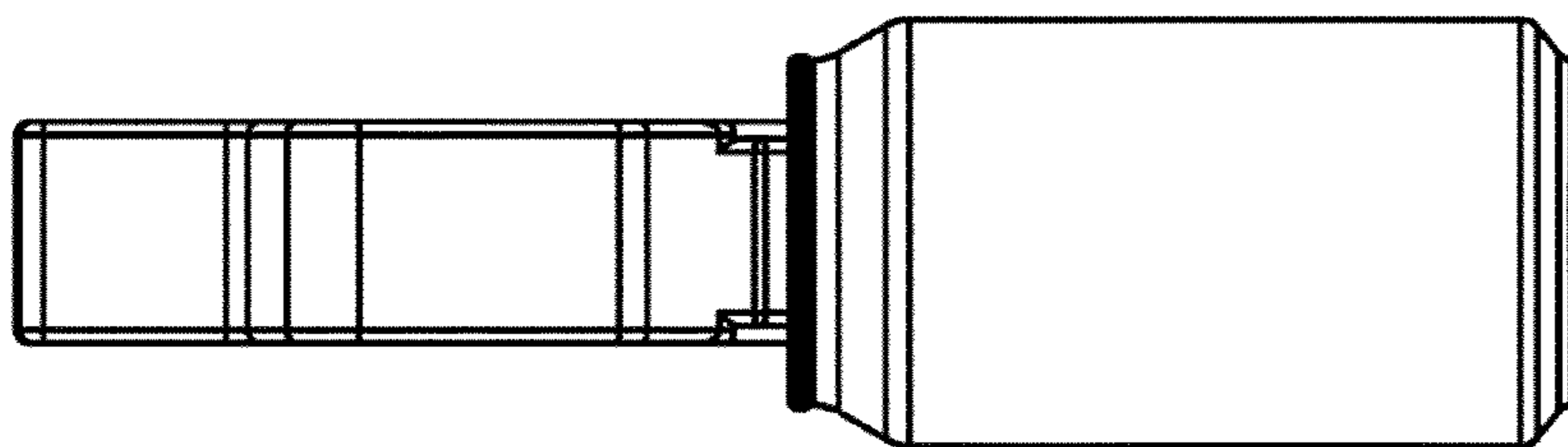


Fig. 3

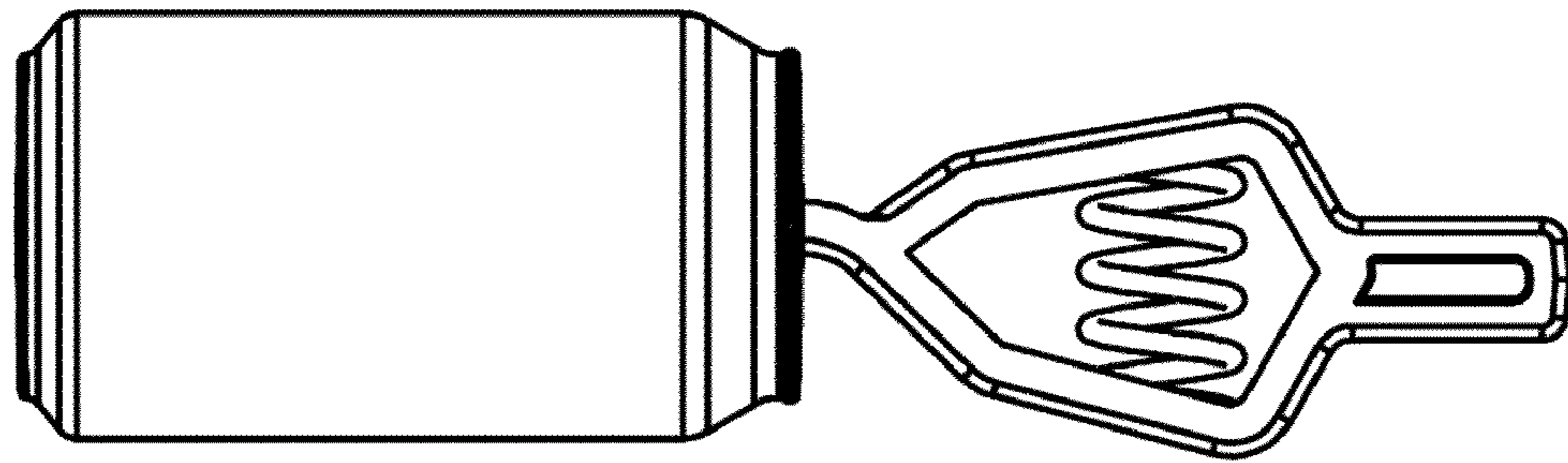


Fig. 4

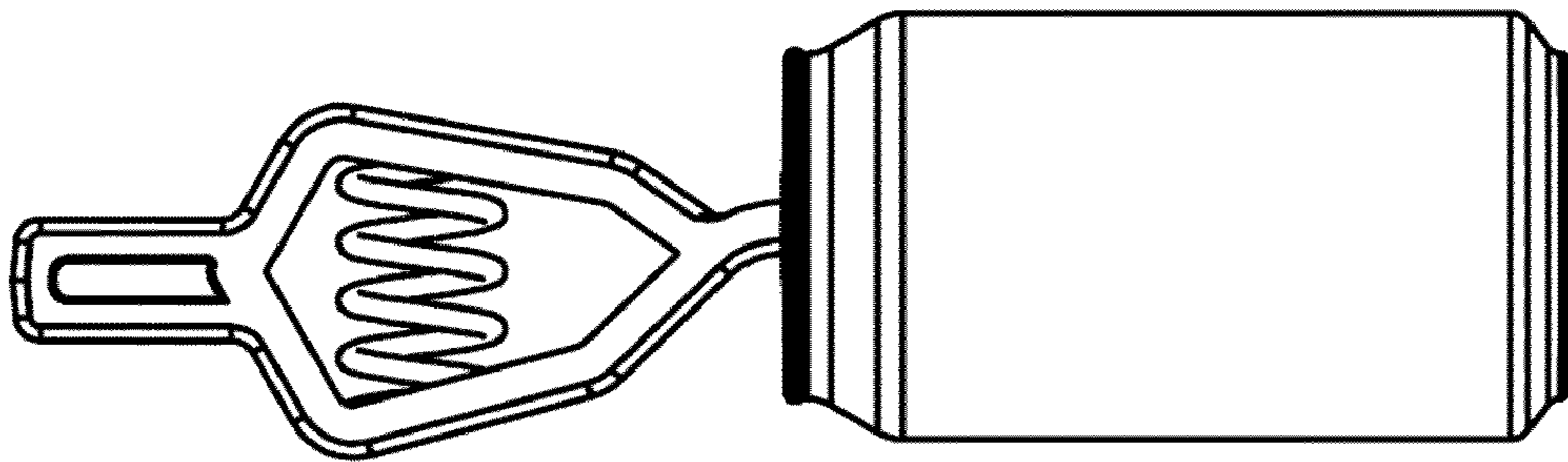


Fig. 5

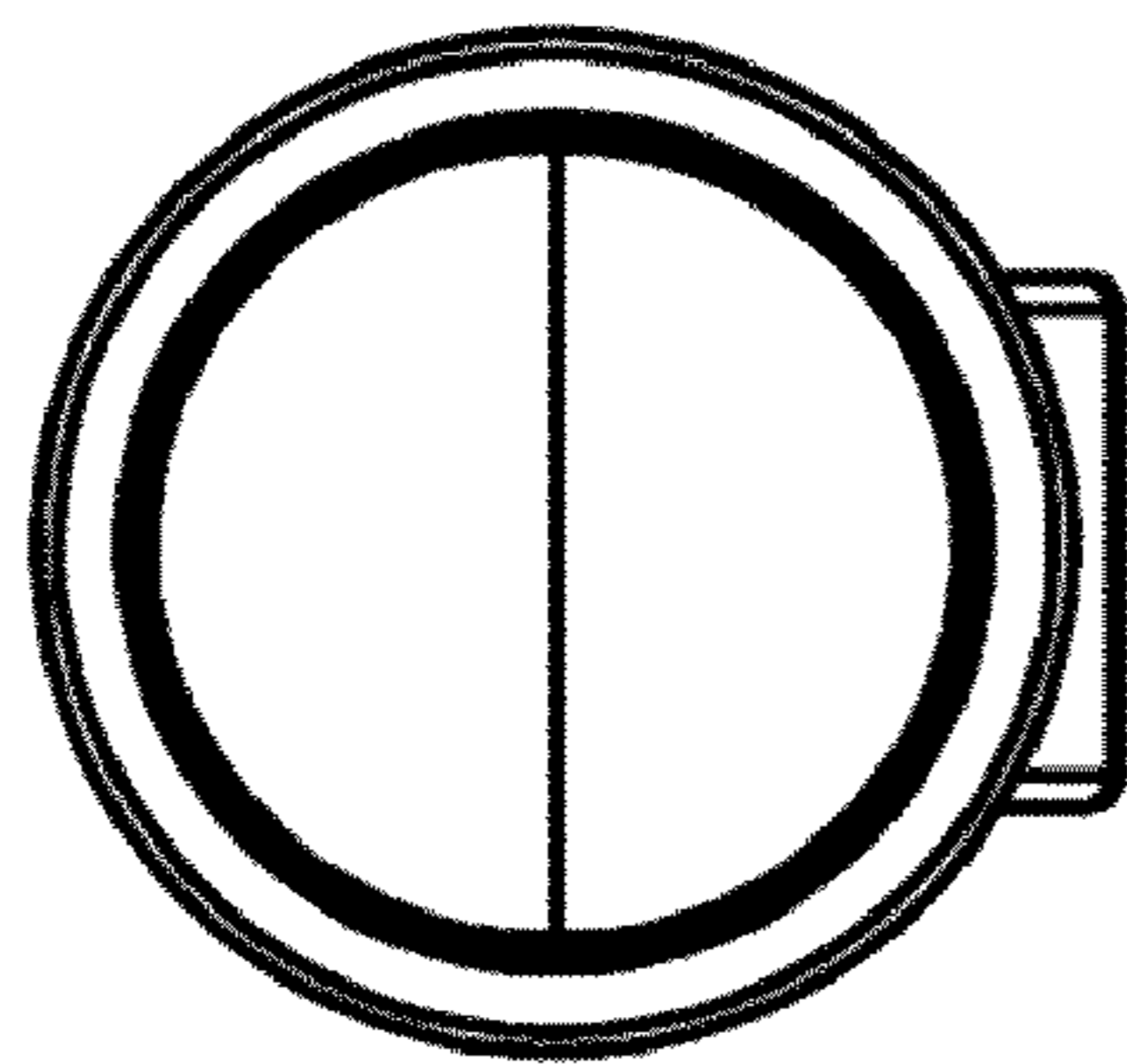


Fig. 6

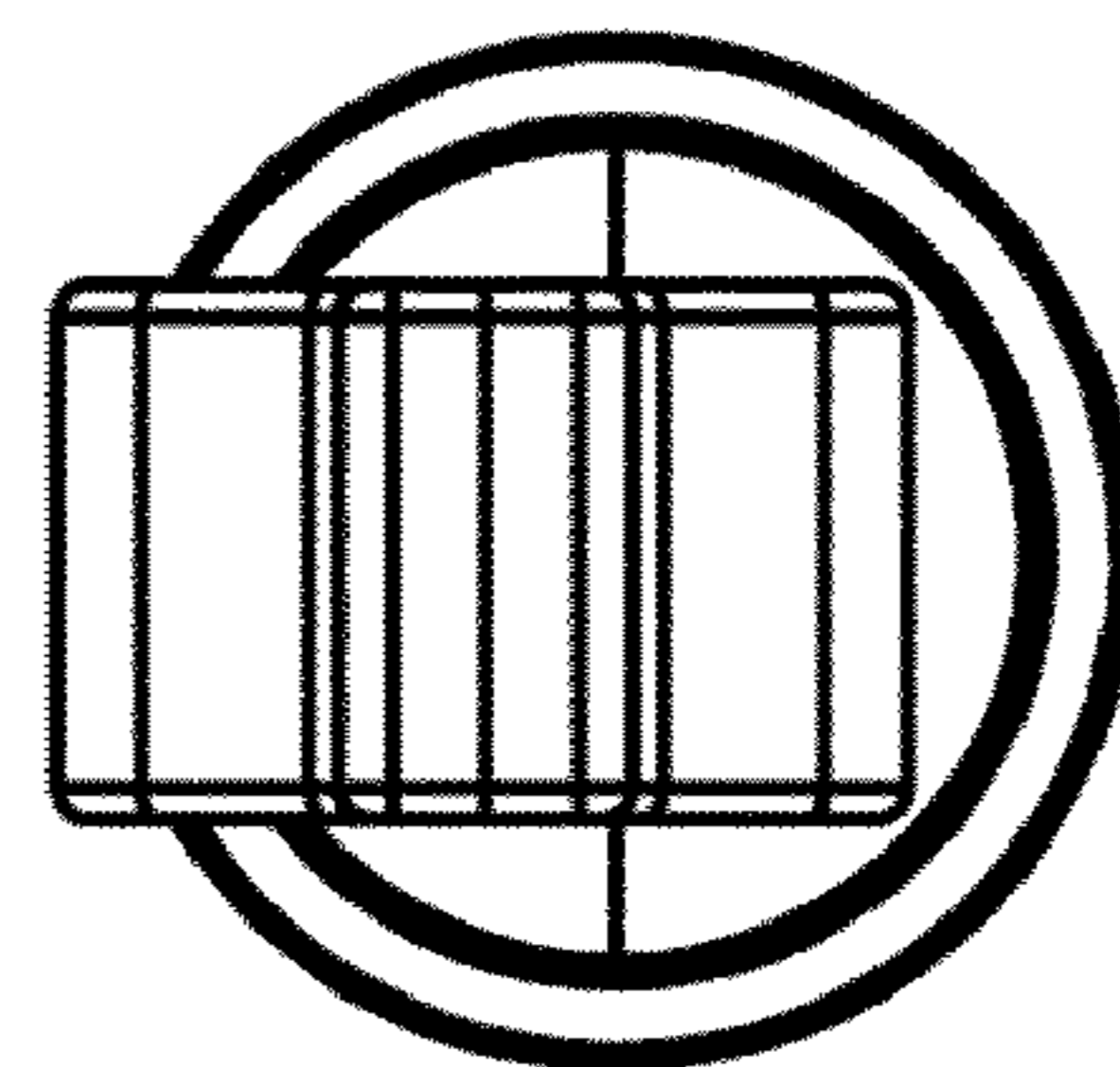


Fig. 7