



US00D637920S

(12) **United States Design Patent**  
**Parmigiani**

(10) **Patent No.:** **US D637,920 S**

(45) **Date of Patent:** **\*\* May 17, 2011**

(54) **WATCH CASE**

(75) Inventor: **Michel Parmigiani**, Fleurier (CH)

(73) Assignee: **Parmigiani Fleurier SA**, Fleurier (CH)

(\*\*) Term: **14 Years**

(21) Appl. No.: **29/372,807**

(22) Filed: **Jan. 14, 2011**

(30) **Foreign Application Priority Data**

Jul. 16, 2010 (WO) ..... DM/074 211

(51) **LOC (9) Cl.** ..... **10-02**

(52) **U.S. Cl.** ..... **D10/38**

(58) **Field of Classification Search** ..... D10/30-39;  
368/276, 281, 282, 285

See application file for complete search history.

(56) **References Cited**

**U.S. PATENT DOCUMENTS**

D108,734 S *	3/1938	Merz	.....	D10/28
D108,735 S *	3/1938	Merz	.....	D10/28
D108,736 S *	3/1938	Merz	.....	D10/38
D108,737 S *	3/1938	Merz	.....	D10/38
D112,797 S *	1/1939	Stegeman, Jr.	.....	D10/38
D390,127 S *	2/1998	Kennedy	.....	D10/32
D403,248 S *	12/1998	Magninat	.....	D10/30
D413,818 S *	9/1999	Baumann	.....	D10/32

D426,470 S *	6/2000	Chodat	.....	D10/30
D445,697 S *	7/2001	Hysek	.....	D10/30
D454,075 S *	3/2002	Tschumy	.....	D10/30
D475,935 S *	6/2003	Modolo	.....	D10/39
D493,728 S *	8/2004	Modolo	.....	D10/32
D544,377 S *	6/2007	Chodat	.....	D10/38
D563,799 S *	3/2008	Holtzman	.....	D10/39
D564,908 S *	3/2008	Chodat	.....	D10/38
D588,023 S *	3/2009	Lassigne	.....	D10/38
D590,278 S *	4/2009	Holtzman	.....	D10/39

\* cited by examiner

*Primary Examiner* — Lucy Lieberman

(74) *Attorney, Agent, or Firm* — Clifford W. Browning;  
Krieg DeVault LLP

(57) **CLAIM**

The ornamental design for a watch case, as shown and described.

**DESCRIPTION**

FIG. 1 is a right hand perspective view of the watch case of the present invention.

FIG. 2 is a left hand perspective view of the watch case of FIG. 1.

FIG. 3 is a bottom view of the watch case of FIG. 1.

FIG. 4 is a top view of the watch case of FIG. 1.

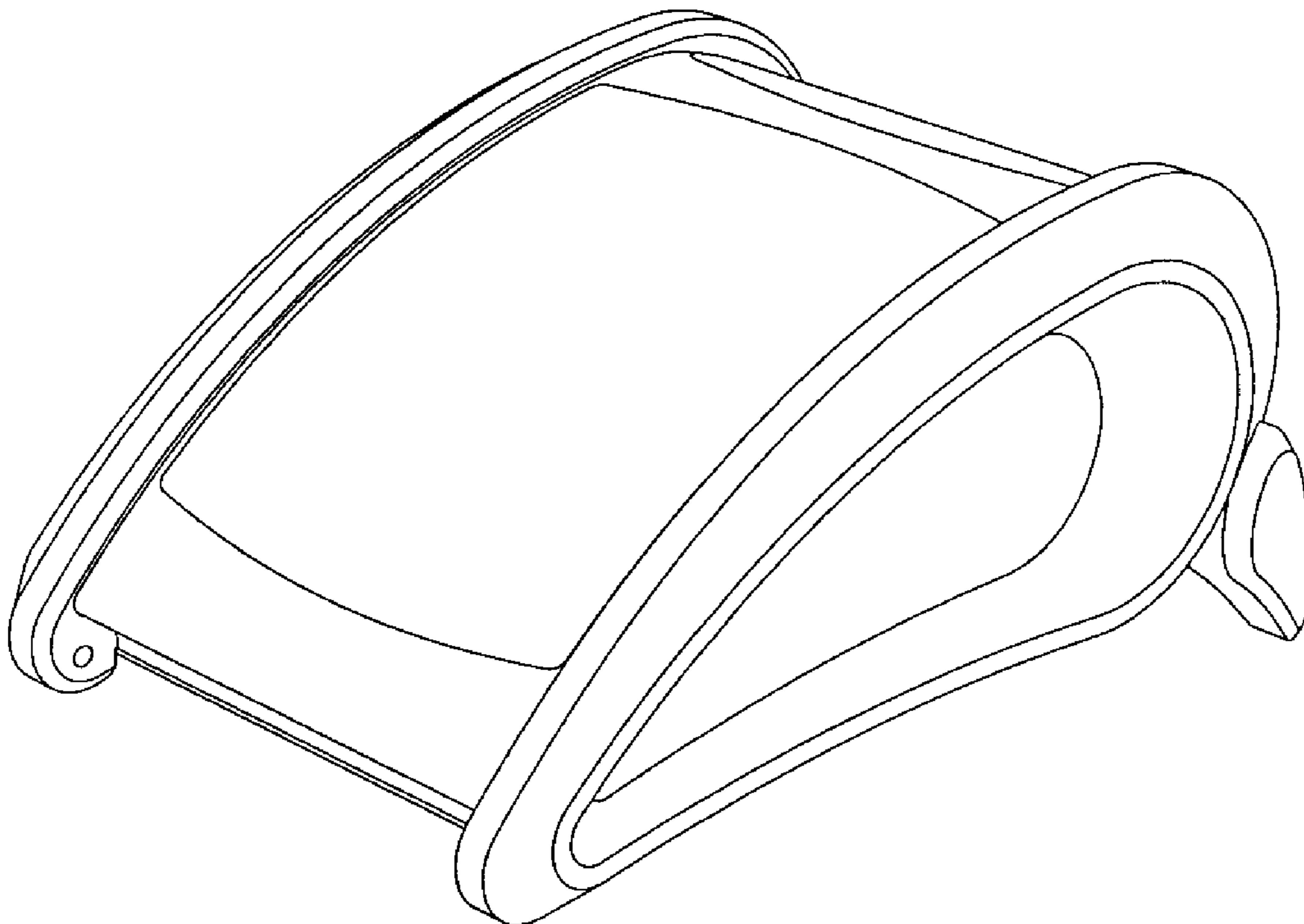
FIG. 5 is a right hand view of the watch case of FIG. 1.

FIG. 6 is a rear view of the watch case of FIG. 1.

FIG. 7 is a left hand view of the watch case of FIG. 1; and,

FIG. 8 is a front view of the watch case of FIG. 1.

**1 Claim, 2 Drawing Sheets**



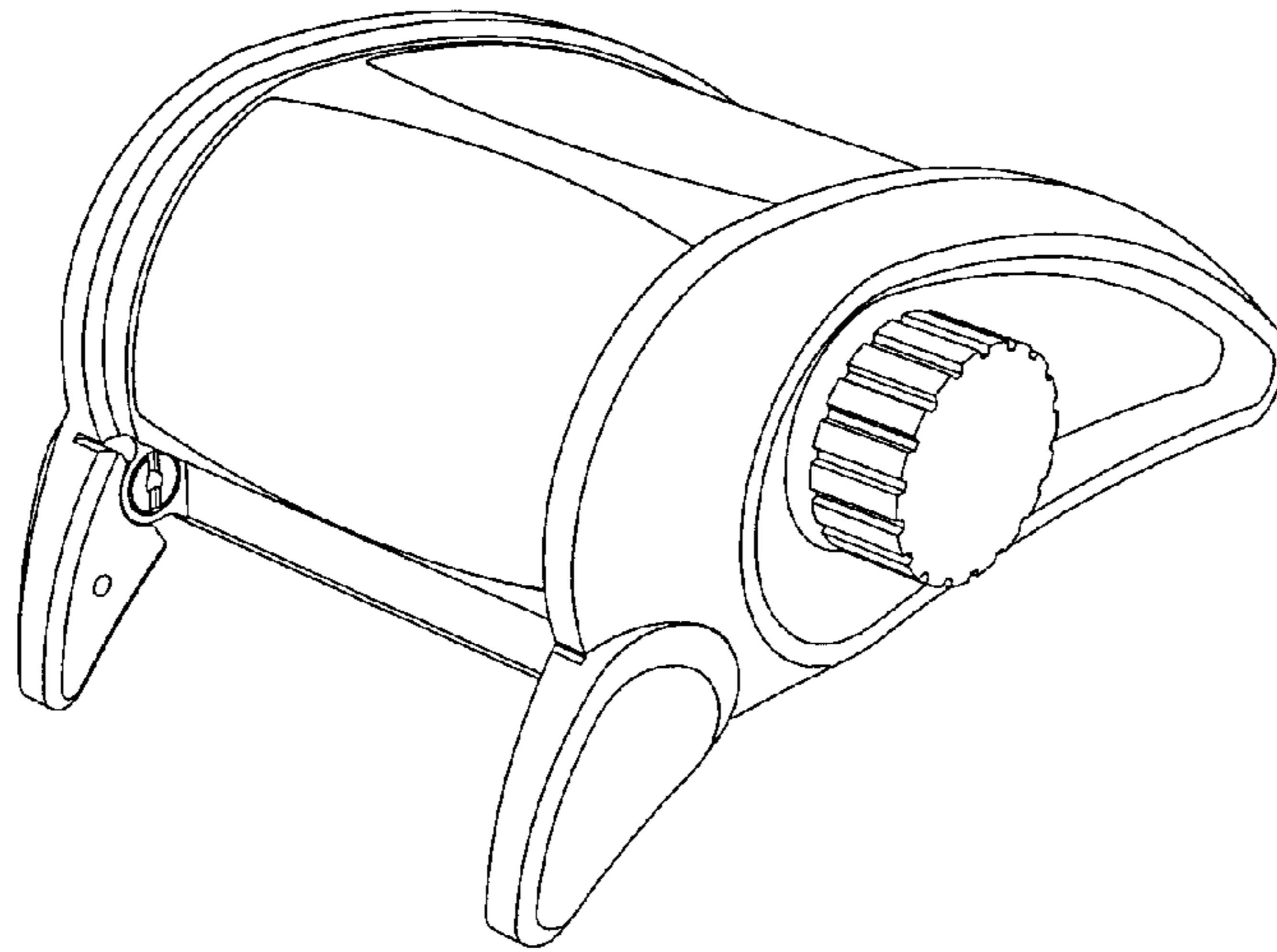


FIG. 1

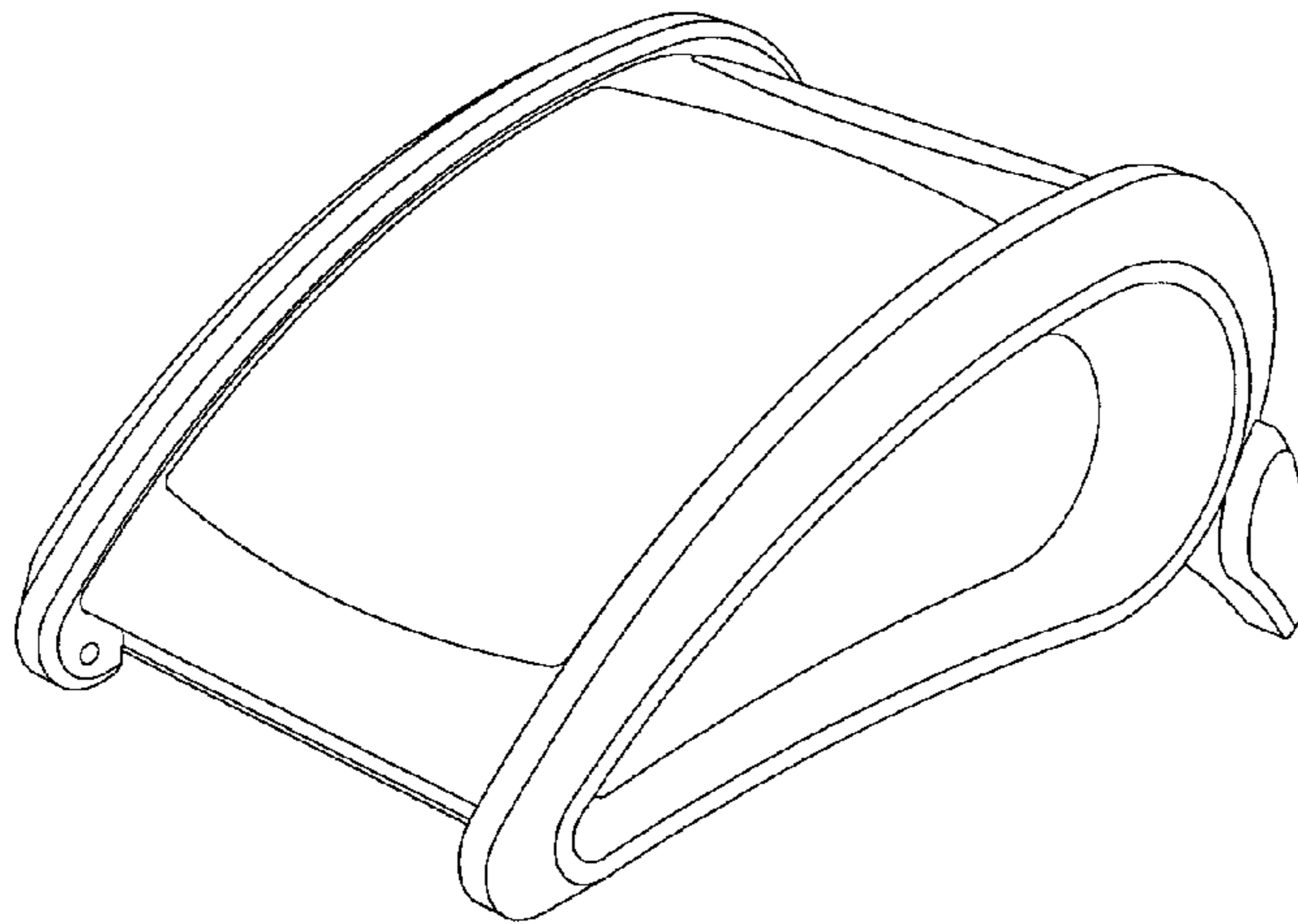


FIG. 2

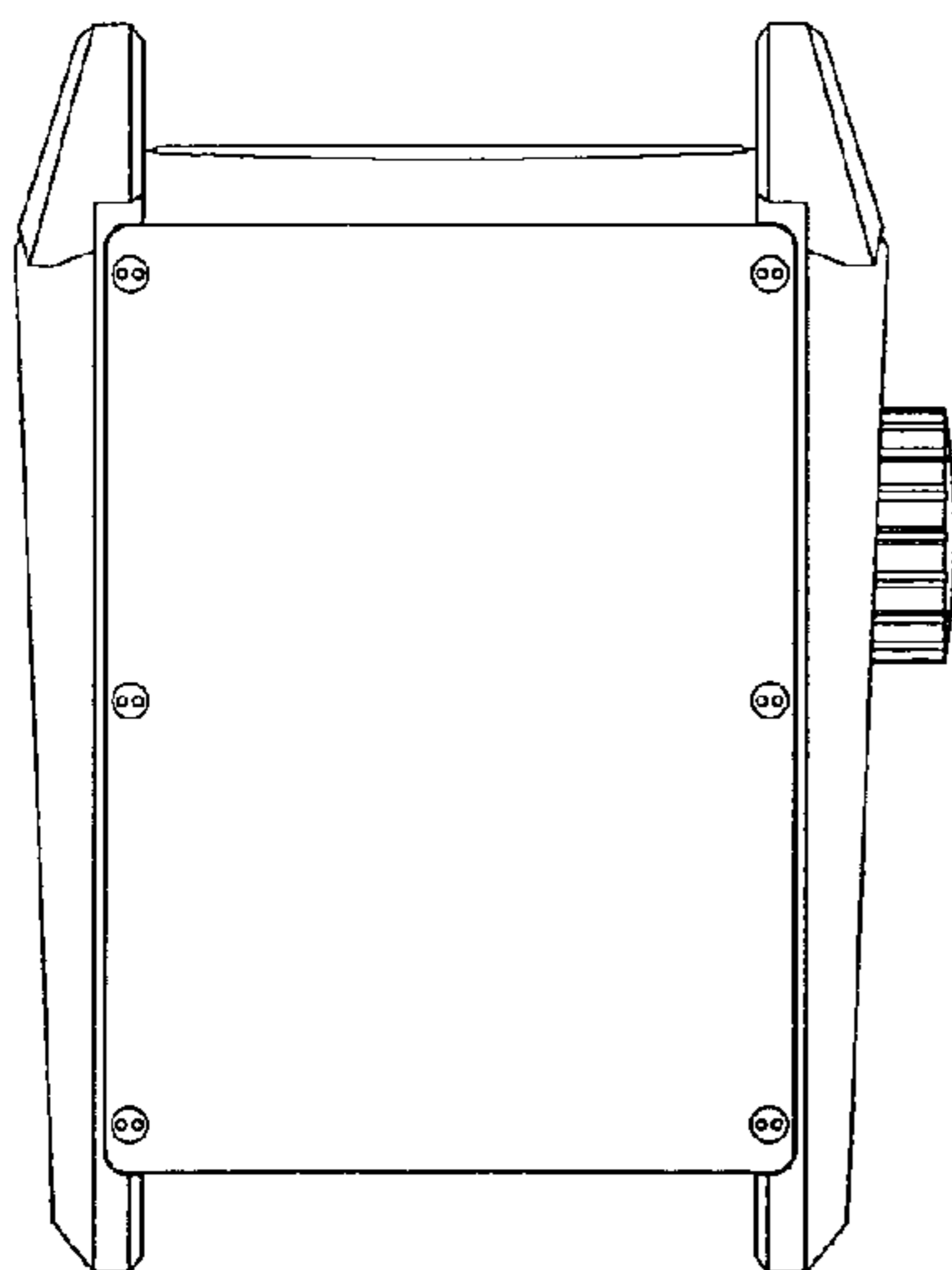


FIG. 3

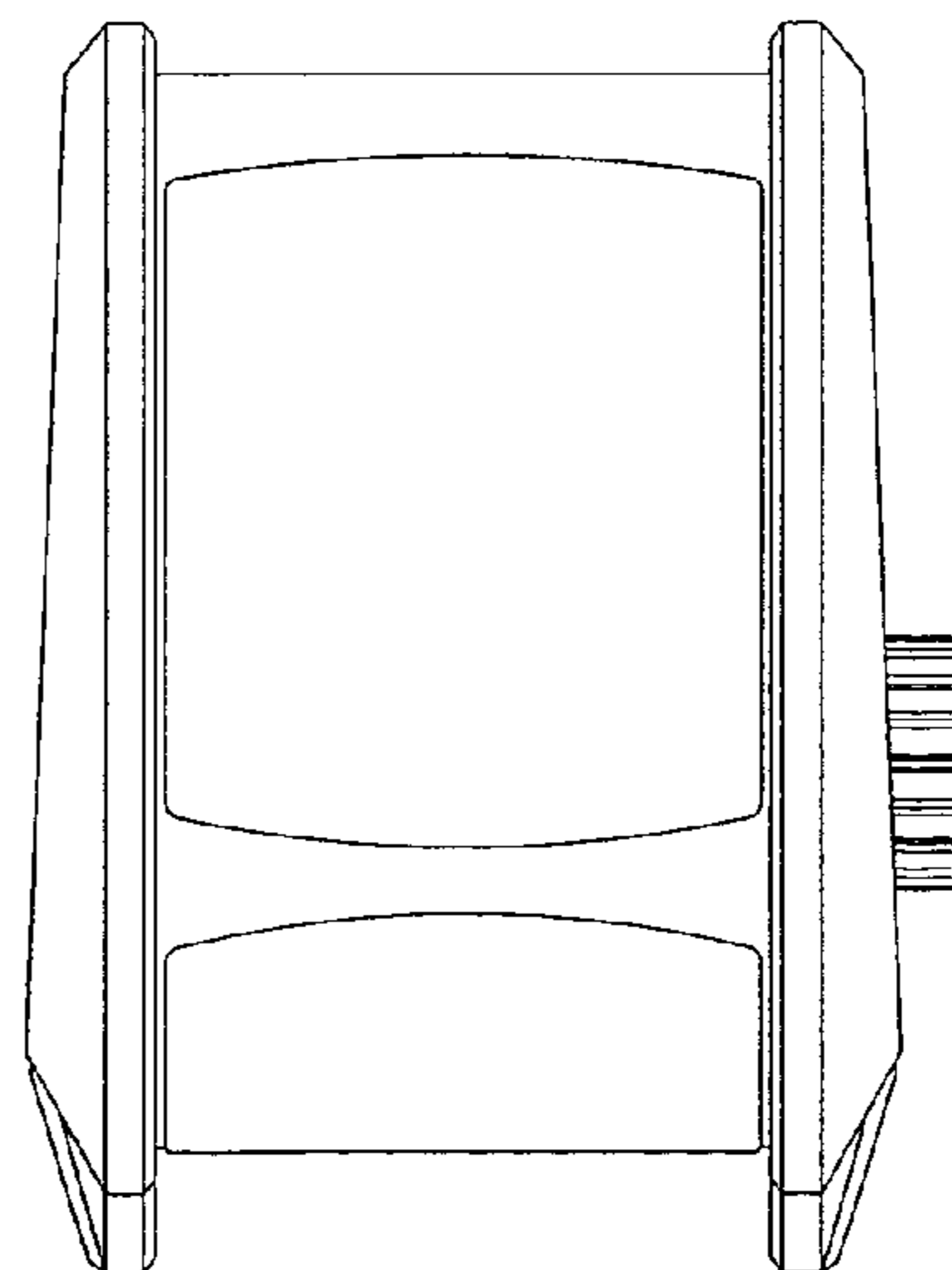


FIG. 4

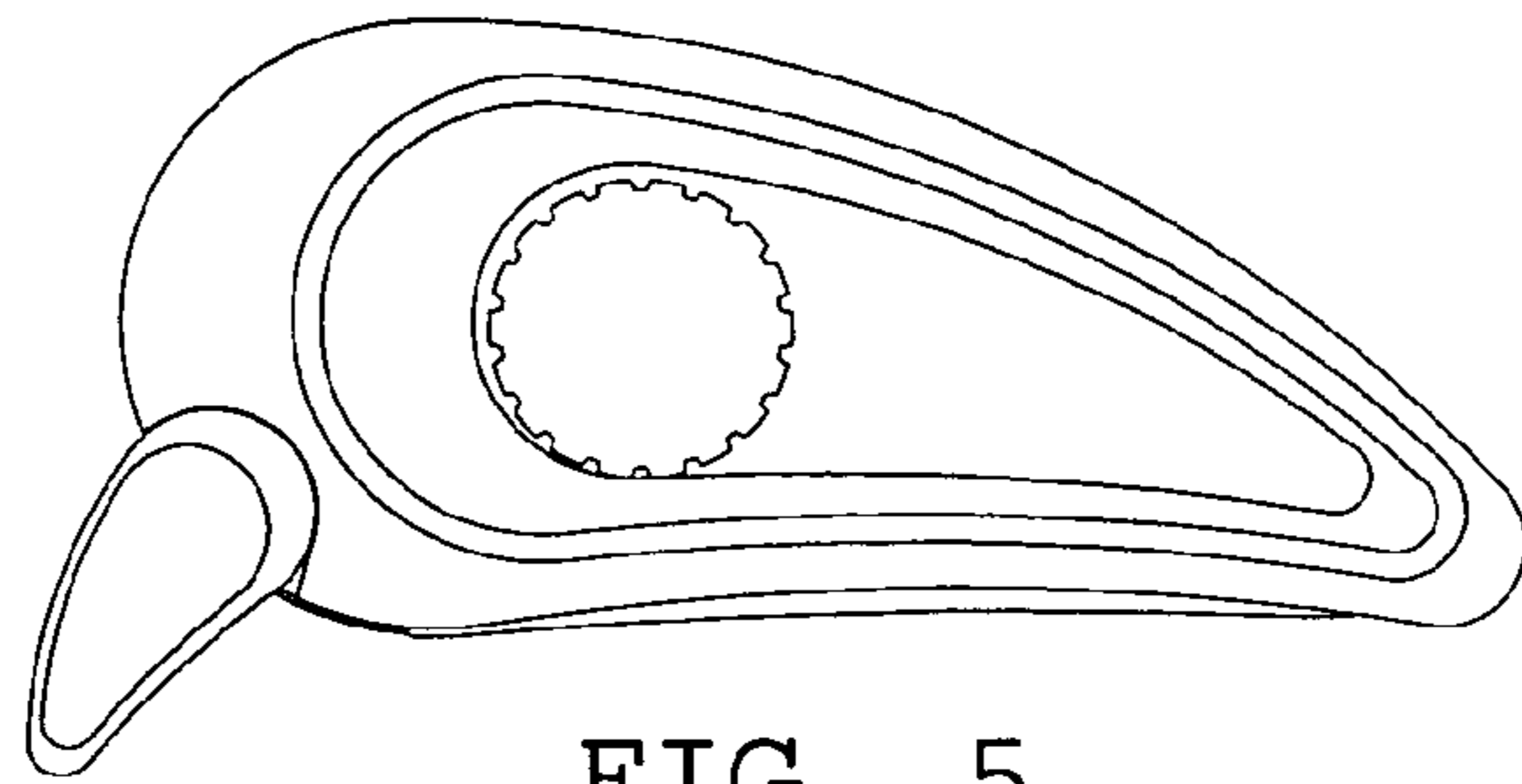


FIG. 5

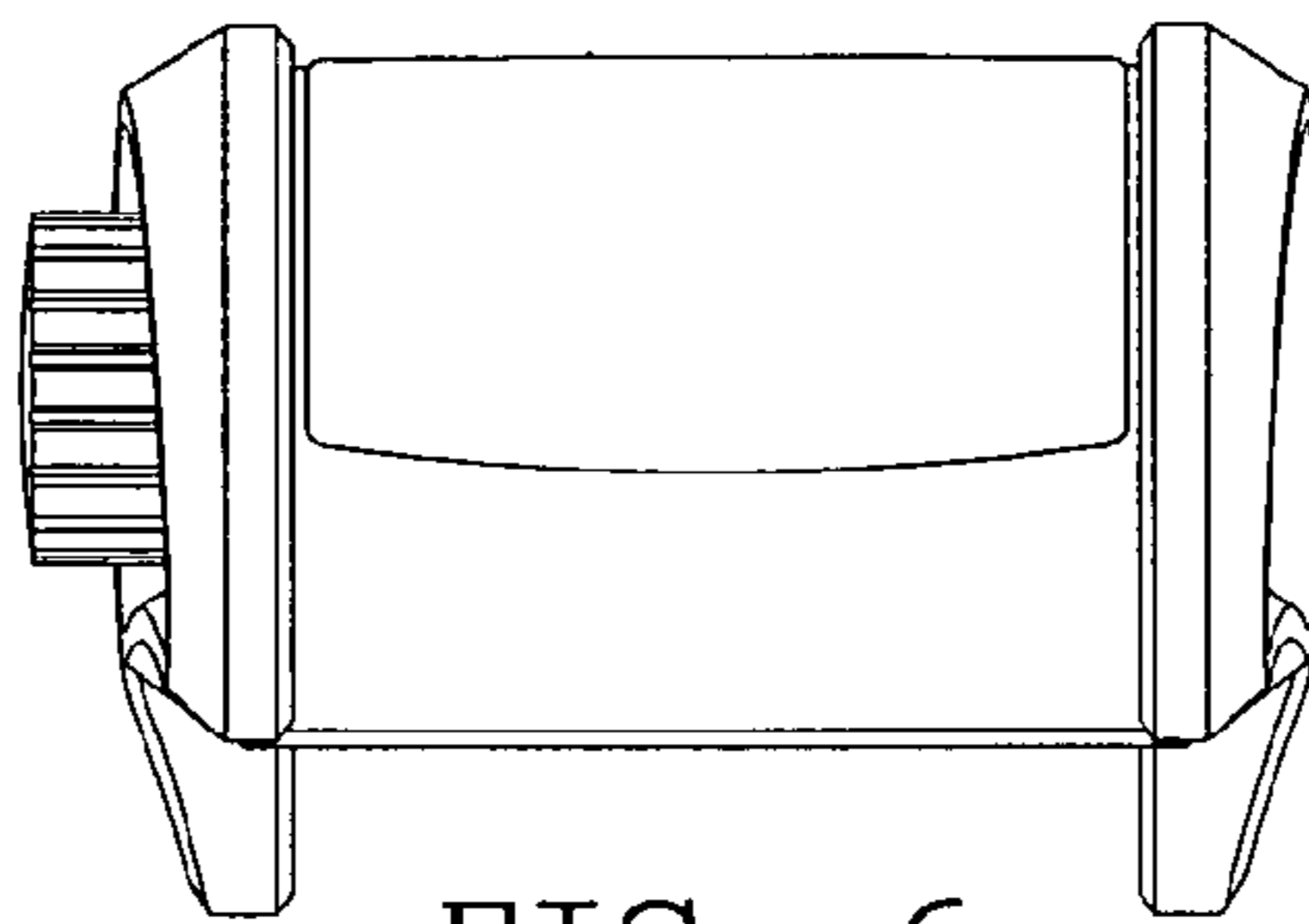


FIG. 6

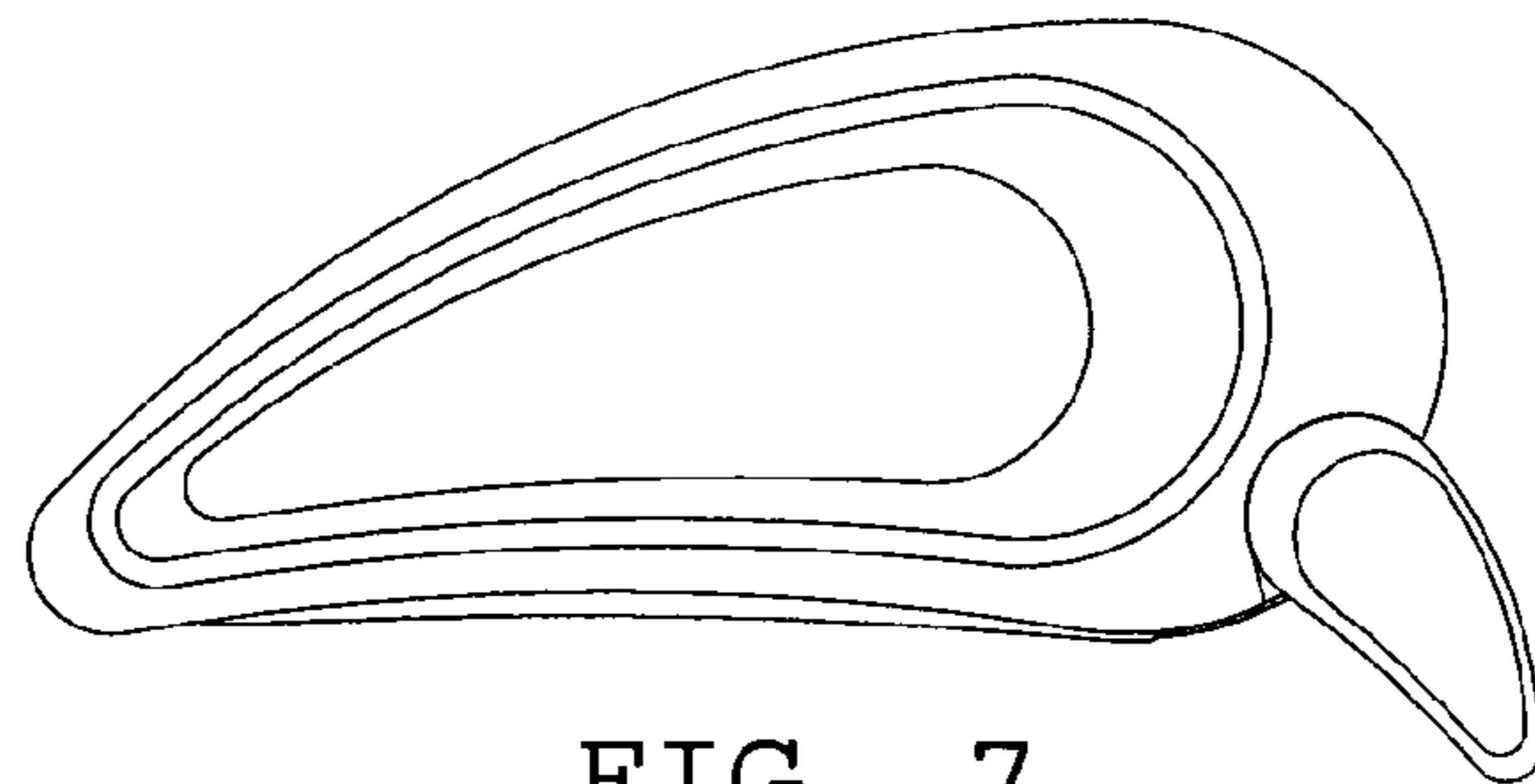


FIG. 7

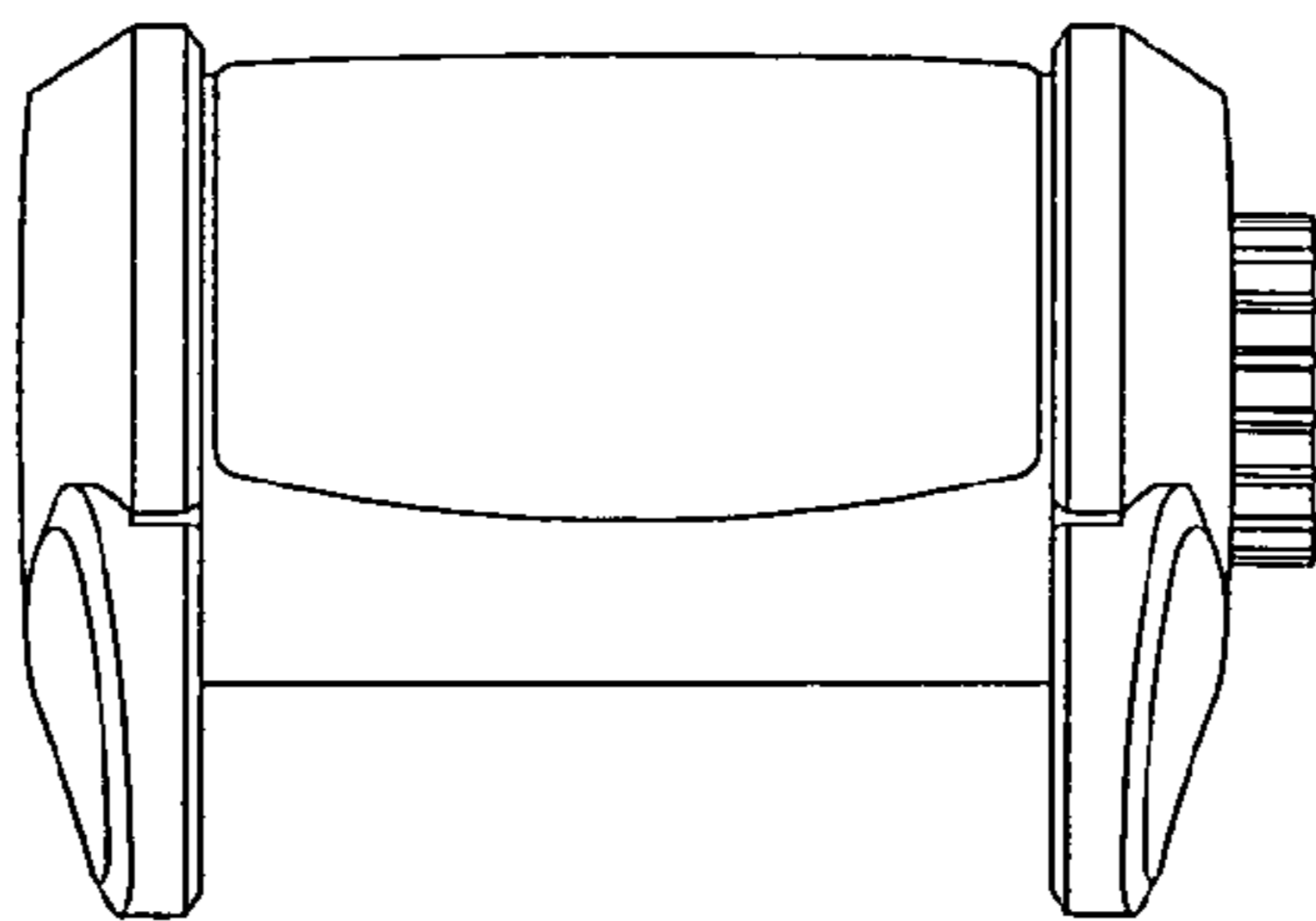


FIG. 8