



US00D637918S

(12) **United States Design Patent**
Cobbett et al.

(10) **Patent No.:** **US D637,918 S**
(45) **Date of Patent:** **** May 17, 2011**

- (54) **WATCH**
- (75) Inventors: **Jamian R. Cobbett**, Portland, OR (US);
Philip A. Frank, Portland, OR (US)
- (73) Assignee: **NIKE, Inc.**, Beaverton, OR (US)
- (**) Term: **14 Years**
- (21) Appl. No.: **29/382,487**
- (22) Filed: **Jan. 4, 2011**
- (51) **LOC (9) Cl.** **10-02**
- (52) **U.S. Cl.** **D10/31; D10/32**
- (58) **Field of Classification Search** D10/30-39;
368/10, 276, 278, 281, 282, 285; D11/2,
D11/3

See application file for complete search history.

(56) **References Cited**

U.S. PATENT DOCUMENTS

2,191,314 A	2/1940	Davis	
D217,015 S	3/1970	Cowan	
3,521,798 A	7/1970	Hill	
D220,523 S	4/1971	Cowan	
D220,524 S	4/1971	Cowan	
D220,529 S	4/1971	Cowan	
D239,512 S *	4/1976	Tsukui	D10/38
D248,631 S	7/1978	Lossini	
D254,964 S	5/1980	Hofman	
D255,017 S	5/1980	Hofman	
D279,671 S	7/1985	Stanton	
D284,642 S *	7/1986	Kabaya	D10/38
D285,422 S	9/1986	Grimes	
D286,511 S	11/1986	Wada	
D291,973 S	9/1987	Doi	
D304,305 S *	10/1989	Morishima	D10/38
D313,941 S *	1/1991	Wakamatsu	D10/38
D317,872 S	7/1991	Dobashi	
D327,440 S	6/1992	Galli	
D339,748 S	9/1993	Choi	
D346,762 S	5/1994	Hysek	
D349,257 S	8/1994	Polenberg	

D355,611 S	2/1995	Hanagata	
D366,036 S	1/1996	Houlihan	
D391,860 S	3/1998	Kubo	
D391,862 S *	3/1998	Sugisawa et al.	D10/30
D395,403 S	6/1998	Hysek	
D401,159 S	11/1998	Sugita	
D410,406 S *	6/1999	Iwamoto et al.	D11/3
D410,854 S	6/1999	Cheung et al.	
D413,818 S *	9/1999	Baumann	D10/32
D432,437 S *	10/2000	Lassigne	D10/32
D445,697 S *	7/2001	Hysek	D10/30
D446,130 S *	8/2001	Nakanishi	D10/38
D448,680 S *	10/2001	Kubo	D10/30
D451,420 S *	12/2001	Komulainen	D11/3
D452,006 S	12/2001	Komulainen	
D455,084 S	4/2002	Mauboussin	
D460,430 S	7/2002	Wada et al.	

(Continued)

OTHER PUBLICATIONS

Nike+ SportBand, Nike, Inc., one full-color sheet of photographs, disclosed on or about Apr. 2008.

(Continued)

Primary Examiner — Lucy Lieberman

(74) *Attorney, Agent, or Firm* — Banner & Witcoff, Ltd.

(57) **CLAIM**

The ornamental design for a watch, as shown and described.

DESCRIPTION

FIG. 1 is a perspective view of a watch showing our new design;

FIG. 2 is a bottom view thereof;

FIG. 3 is a top view thereof;

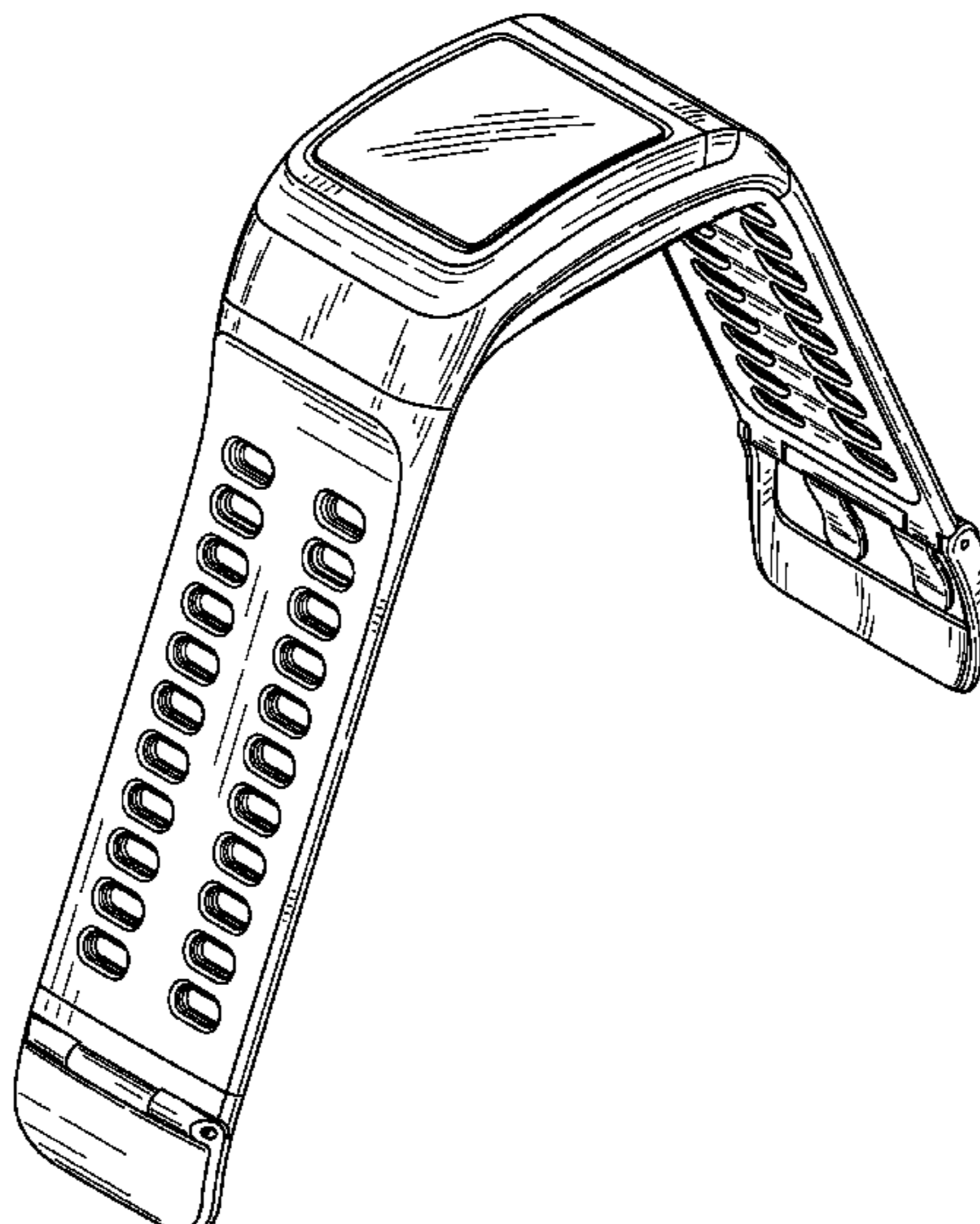
FIG. 4 is a right side view thereof;

FIG. 5 is a left side view thereof;

FIG. 6 is a front view thereof; and,

FIG. 7 is a rear view thereof.

1 Claim, 5 Drawing Sheets



U.S. PATENT DOCUMENTS

D464,273	S	10/2002	Nussbaum	
D475,306	S	6/2003	Modolo	
D475,935	S *	6/2003	Modolo	D10/39
D497,827	S *	11/2004	Yamamoto	D11/3
D508,210	S	8/2005	Lalo	
D513,195	S	12/2005	Gruosi	
7,006,408	B2 *	2/2006	Chen	368/10
D526,215	S	8/2006	Calvani	
D526,912	S	8/2006	Calvani	
D534,438	S *	1/2007	Bedat	D10/32
D535,205	S	1/2007	Frederick et al.	
D538,687	S	3/2007	Komulainen	
D544,377	S *	6/2007	Chodat	D10/38
D545,220	S *	6/2007	Leung	D10/31
D563,799	S *	3/2008	Holtzman	D10/39
D564,367	S	3/2008	Molyneux	
D564,904	S *	3/2008	Leung	D10/31
7,345,954	B2 *	3/2008	Ehrsam et al.	368/10
D566,583	S *	4/2008	Holtzman	D10/39
D571,249	S *	6/2008	Frederick et al.	D11/4
D580,277	S	11/2008	Brady et al.	
D581,826	S	12/2008	Molyneux	
D589,375	S	3/2009	Tang	
D590,278	S	4/2009	Holtzman	
D598,301	S *	8/2009	Moritz	D10/32
D606,423	S	12/2009	Mille	
D619,928	S	7/2010	Bodino et al.	
7,778,118	B2	8/2010	Lyons et al.	
D623,965	S	9/2010	Sullivan et al.	
D628,498	S *	12/2010	Arellano	D10/38
2006/0140055	A1 *	6/2006	Ehrsam et al.	368/10
2007/0064542	A1 *	3/2007	Fukushima	368/282
2010/0311544	A1	12/2010	Robinette et al.	
2011/0003665	A1 *	1/2011	Burton et al.	482/9
2011/0007468	A1 *	1/2011	Burton et al.	361/679.03
2011/0032105	A1 *	2/2011	Hoffman et al.	340/573.1

OTHER PUBLICATIONS

Garmin Forerunner 310XT, disclosed on or about Apr. 2009, [online], [site visited Jan. 26, 2011]. Available from Internet, <URL: http://dvice.com/archives/2009/04/garmin_forerunn.php>.

E-Ink Digital Display Watch, disclosed on or about Feb. 2010, [online], [site visited Jan. 26, 2011]. Available from Internet, <URL: <http://www.thinkgeek.com>>.

Tokyoflash USB Memory Watch, disclosed on or about Mar. 2010, [online], [site visited Jan. 26, 2011]. Available from Internet, <URL: <http://www.tokyoflash.com/blog/2010/03/usb-memory-watch>>.

Gadget4All USB Wristwatch, disclosed on or about May 2009, [online], [site visited Jan. 26, 2011]. Available from Internet, <URL: <http://www.technology-guide.co.uk/post/2009/05/26/Watches-with-built-in-flash-drive.aspx>>.

Design-Brothers Timeless Watch, disclosed on or about Aug. 2008, [online], [site visited Jan. 26, 2011]. Available from Internet, <URL: <http://gadgets.boingboing.net/2008/08/08/usb-watch-strap-weds.html>>.

USB Bracelet, disclosed on or about Mar. 2006, [online], [site visited Jan. 26, 2011]. Available from Internet, <URL: <http://techtickerblog.com/2006/03/20/weird-usb-devices>>.

USB Memory Watch, disclosed on or about Nov. 2007, [online], [site visited Jan. 26, 2011]. Available from Internet, <URL: <http://www.citywatchinternational.com>>.

Edge Tech DiskGO USB Watch Flash Drive (Sport Style), disclosed on or about Jan. 2010, [online], [site visited Jan. 26, 2011]. Available from Internet, <URL: <http://www.edgetechcorp.com>>.

Migo Smart USB Watch, disclosed on or about Jun. 2005, [online], [site visited Jan. 26, 2011]. Available from Internet, <URL: <http://www.smh.com.au/newx/hardware/data-watch/2005/06/15/1118645849587.html>>.

Laks USB Drive Sports Watch, disclosed on or about Jul. 2003, [online], [site visited Jan. 26, 2011]. Available from Internet, <URL: <http://www.ateam.com.tw/usb%20watch.htm>>.

USB Hidden Flash Drive Watch, disclosed on or about Dec. 2008, [online], [site visited Jan. 26, 2011]. Available from Internet, <URL: <http://www.thinkgeek.com>>.

USB Flash Drive Watch, disclosed on or about Nov. 2010, [online], [site visited Jan. 26, 2011]. Available from Internet, <URL: <http://www.geekalerts.com/usb-flash-drive-watch>>.

Edge Tech DiskGO USB Watch Flash Drive (Dress Style), disclosed on or about Jan. 2010, [online], [site visited Jan. 26, 2011]. Available from Internet, <URL: <http://www.edgetechcorp.com>>.

USB Jewel Watch Necklace, disclosed on or about Jun. 2009, [online], [site visited Jan. 26, 2011]. Available from Internet, <URL: <http://gadgets.boingboing.net/2009/06/16/diamond-usb-watch-ne.html>>.

SpyNet Mission Video Watch, disclosed on or about Feb. 2010, [online], [site visited Jan. 26, 2011]. Available from Internet, <URL: <http://www.thinkgeek.com>>.

* cited by examiner

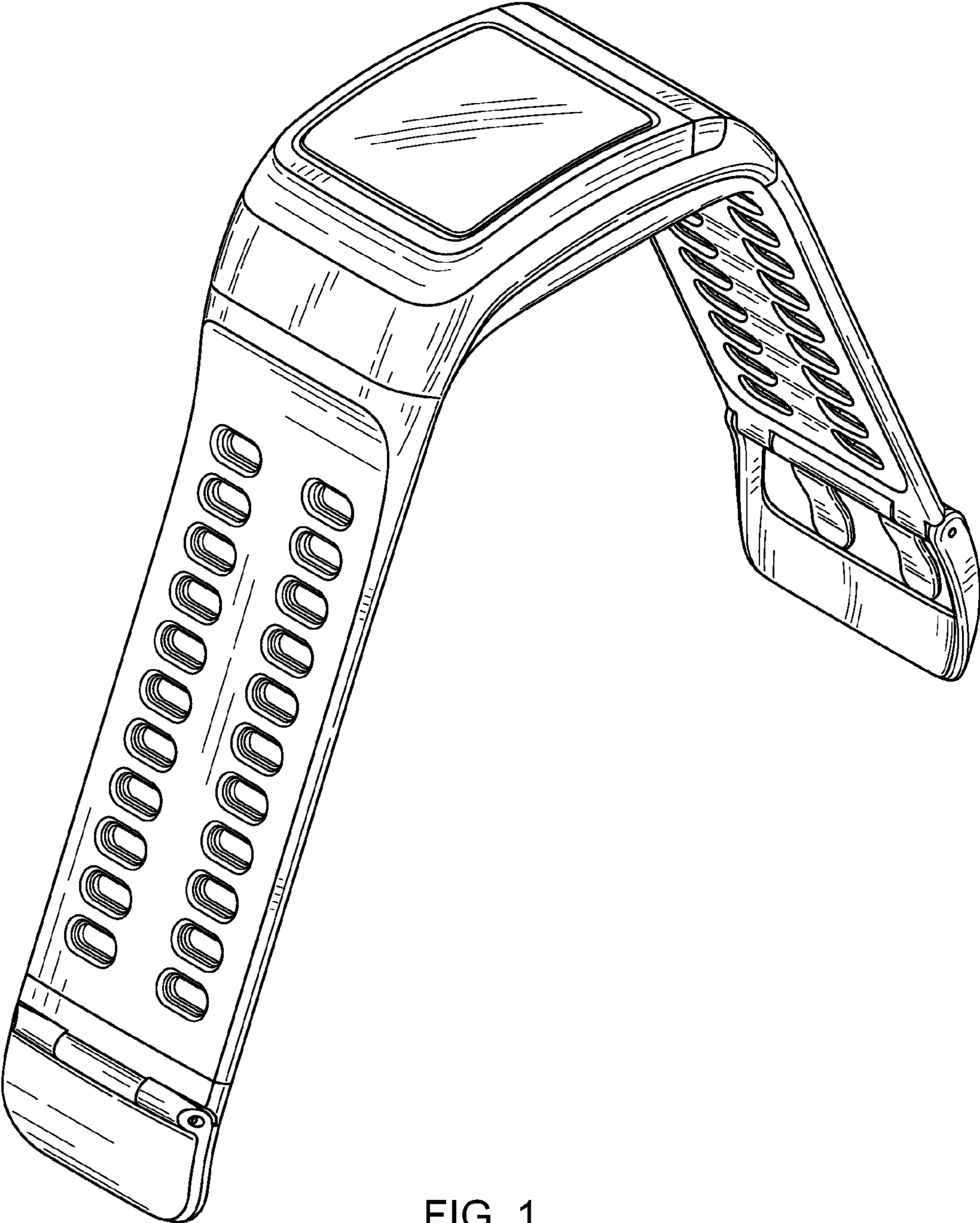


FIG. 1

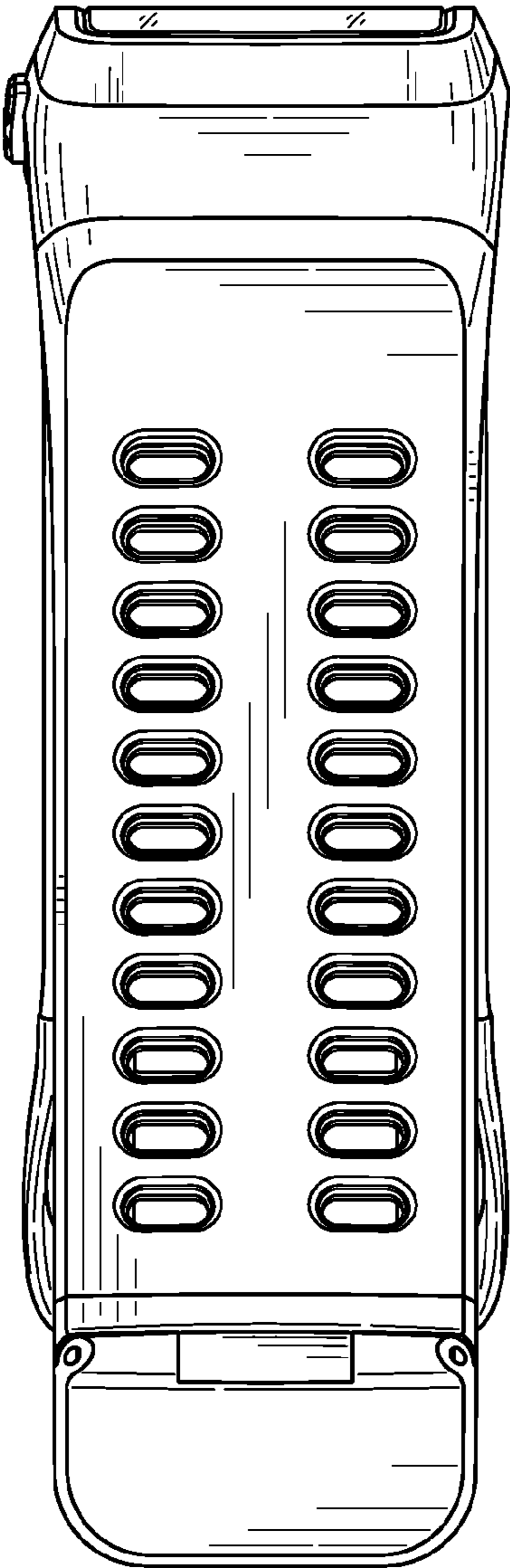


FIG. 2

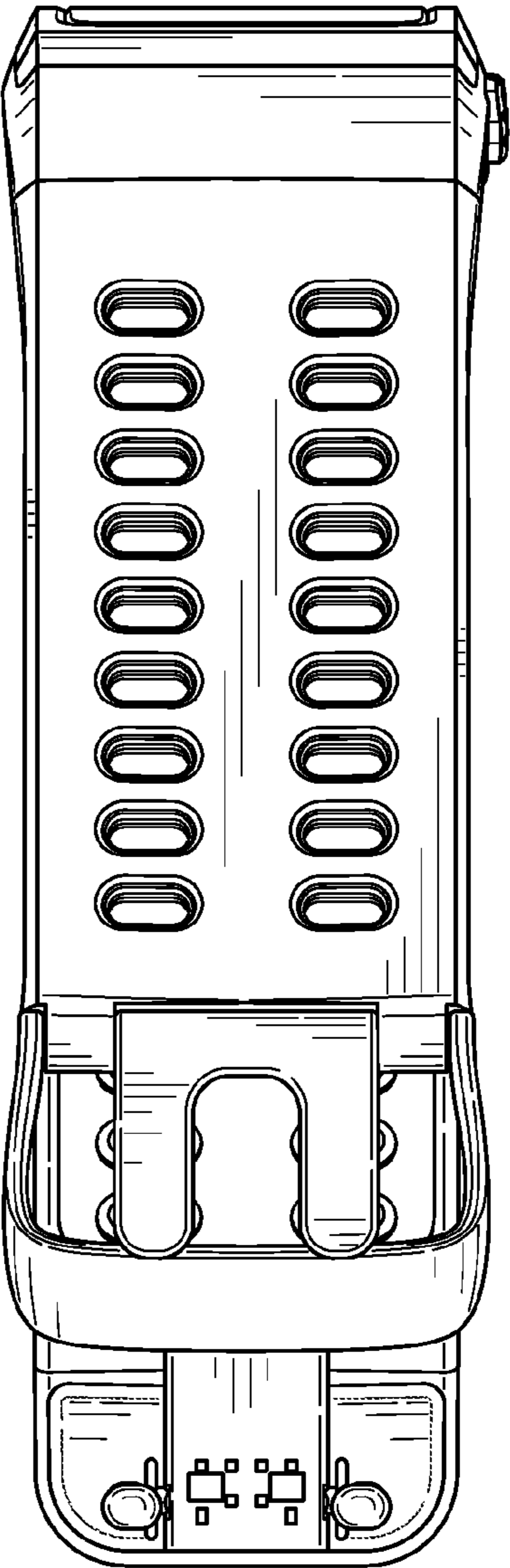


FIG. 3

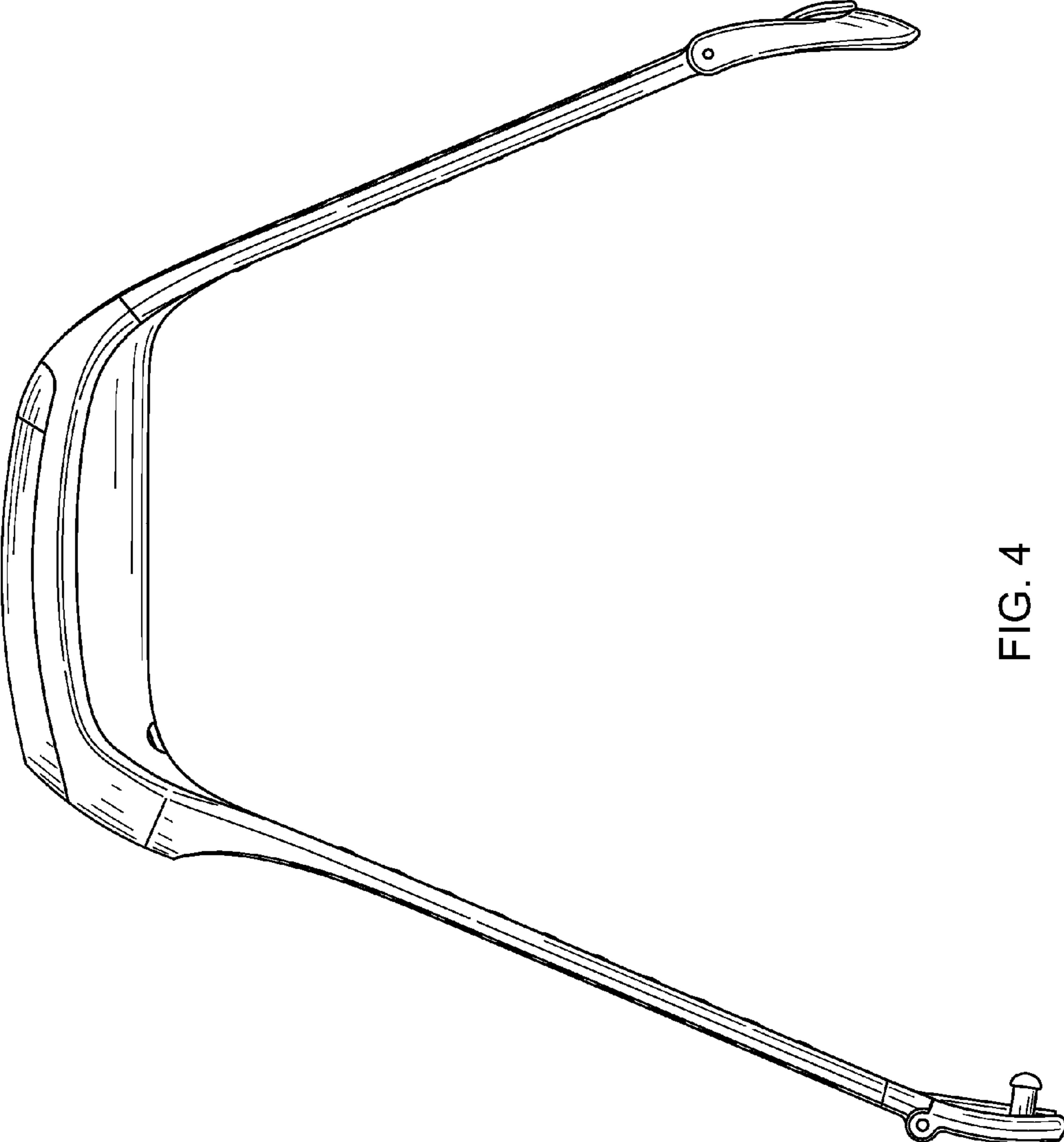


FIG. 4

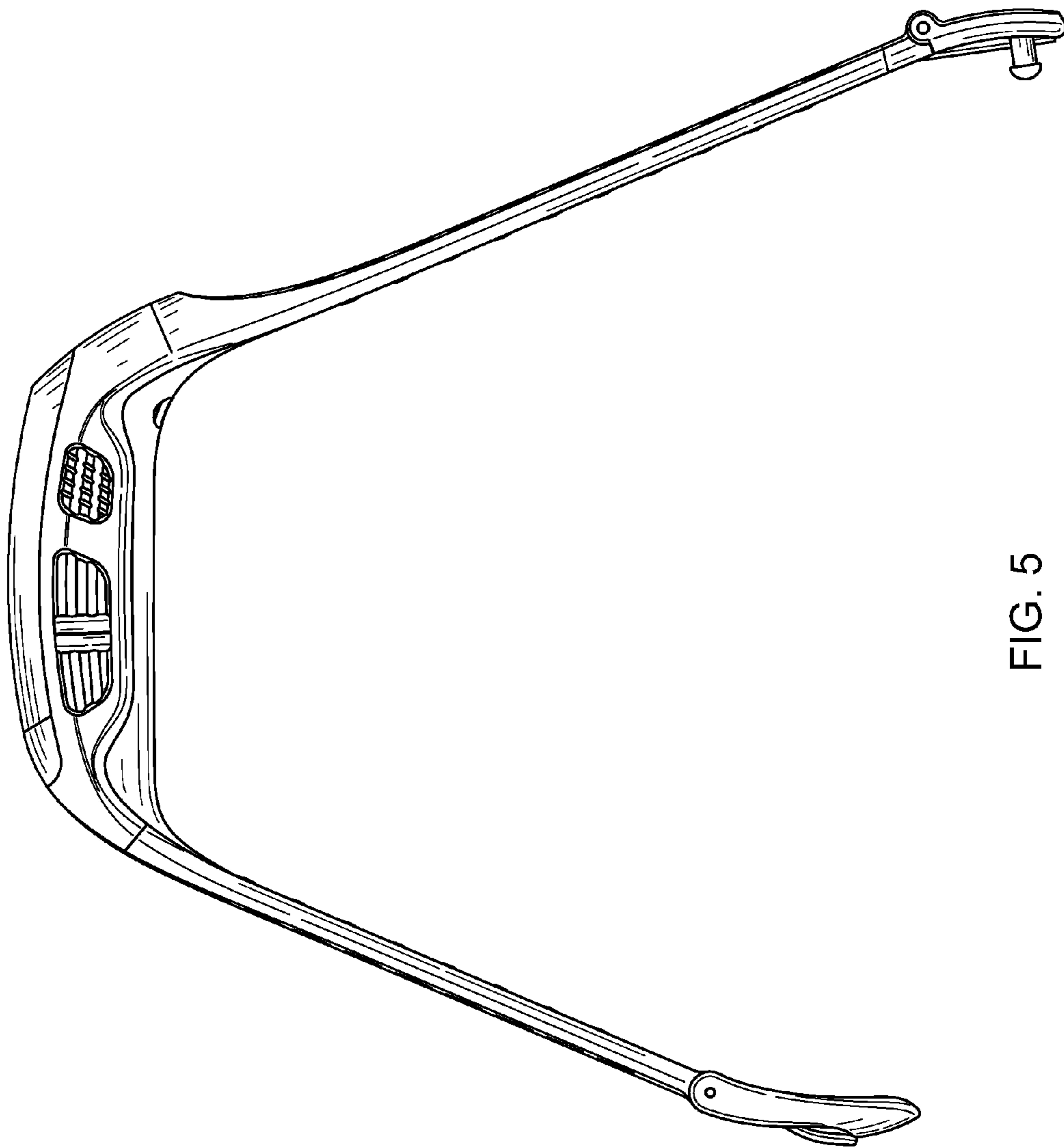


FIG. 5

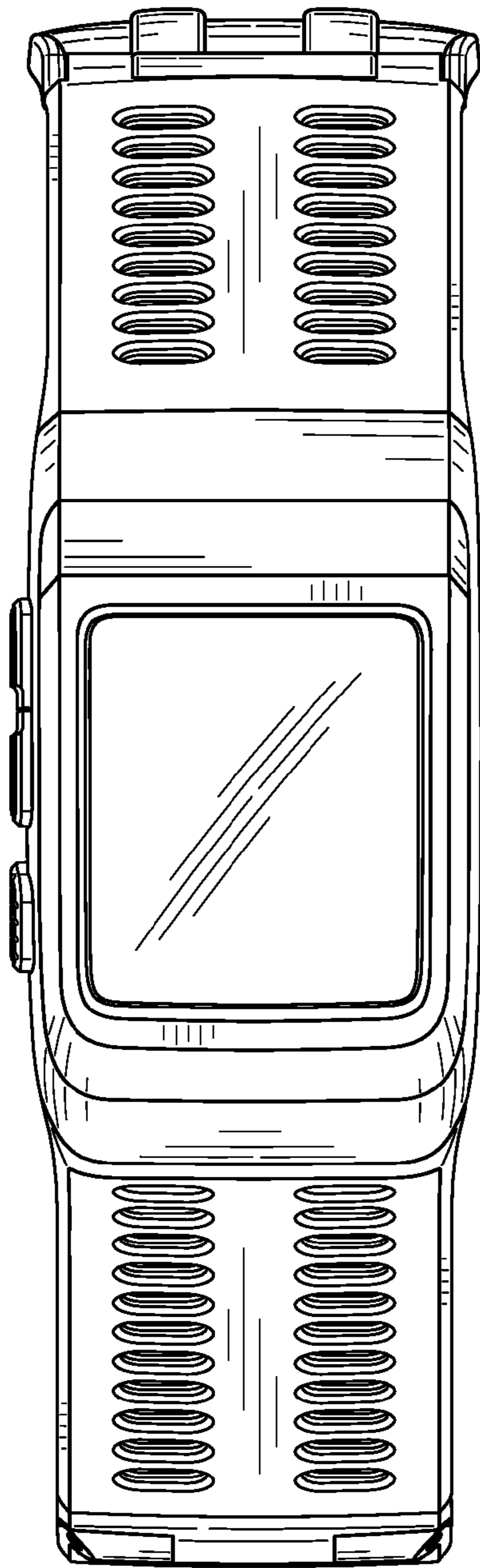


FIG. 6

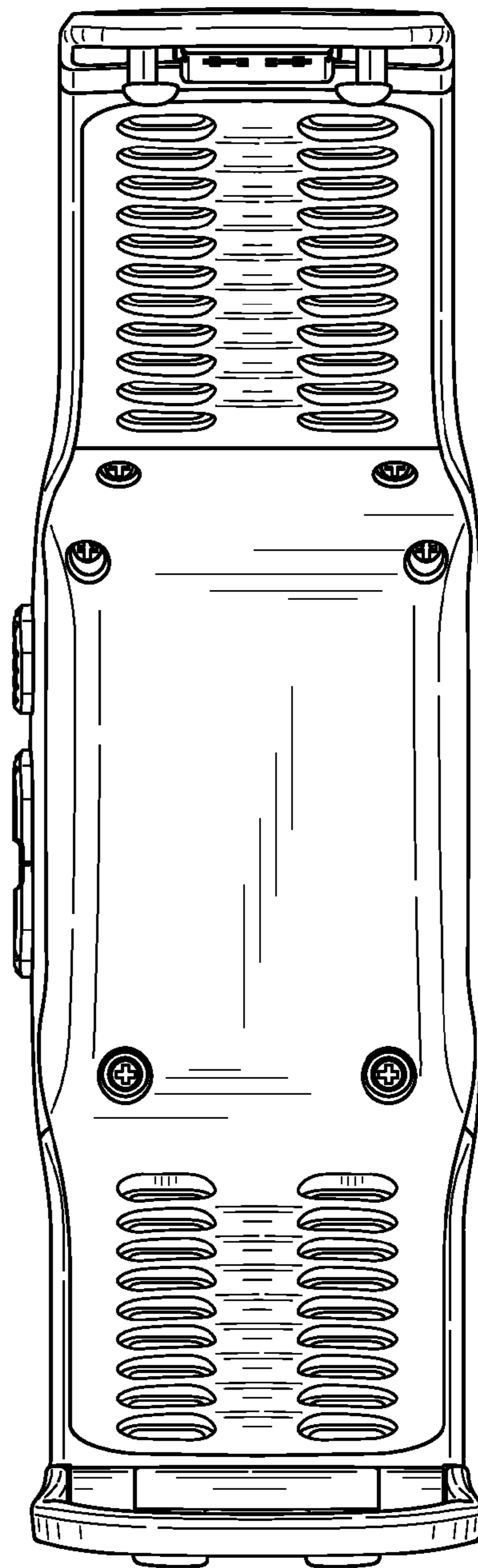


FIG. 7