



US00D637908S

(12) **United States Design Patent**
Fleischhacker et al.

(10) **Patent No.:** **US D637,908 S**
(45) **Date of Patent:** **** May 17, 2011**

(54) **CONTAINER**

(75) Inventors: **Kyle Fleischhacker**, Brownstown, MI (US); **James J. Miller**, Barberton, OH (US); **Karen Wood**, Royal Oak, MI (US)

(73) Assignee: **Plastipak Packaging, Inc.**, Plymouth, MI (US)

(**) Term: **14 Years**

(21) Appl. No.: **29/377,334**

(22) Filed: **Oct. 20, 2010**

(51) **LOC (9) Cl.** **09-01**

(52) **U.S. Cl.** **D9/502; D9/538; D9/539; D9/550; D9/557**

(58) **Field of Classification Search** D9/500, D9/502-503, 516, 520, 530, 537-540, 549-550, D9/557-558, 563, 574-575; 215/379, 381-384; 220/660, 662, 669-673, 675, 677
See application file for complete search history.

(56) **References Cited**

U.S. PATENT DOCUMENTS

4,978,015	A	12/1990	Walker	
5,160,059	A	11/1992	Collette et al.	
5,427,258	A	6/1995	Krishnakumar et al.	
5,529,196	A	6/1996	Lane	
D383,677	S	9/1997	Darr	
5,756,018	A	5/1998	Valyi	
D399,424	S	10/1998	Young	
D409,919	S	5/1999	Young	
6,085,924	A	7/2000	Henderson	
6,149,024	A	11/2000	Deemer et al.	
D501,140	S	1/2005	Fung et al.	
D510,031	S	9/2005	Slat et al.	
D519,384	S	4/2006	Voss et al.	
D534,078	S *	12/2006	Brauner et al. D9/502
D538,658	S	3/2007	Horne et al.	
D543,462	S	5/2007	Pedmo et al.	

D556,593	S	12/2007	de Cleir et al.	
D560,500	S *	1/2008	Venkataraman et al. D9/538
D561,595	S *	2/2008	Le Bras-Brown et al. D9/537
D569,729	S	5/2008	Pedmo et al.	
D573,029	S *	7/2008	Venkataraman et al. D9/538
D582,775	S	12/2008	Pedmo et al.	
7,568,588	B2	8/2009	Yourist	
D601,901	S *	10/2009	Lepoitevin D9/538
D603,713	S *	11/2009	James et al. D9/553
D604,169	S *	11/2009	Melossi D9/538
D604,171	S *	11/2009	Burke et al. D9/540
D608,203	S	1/2010	Yourist	
D613,166	S	4/2010	Bentley	
2003/0006208	A1	1/2003	Cheng et al.	
2006/0283832	A1 *	12/2006	De Cleir et al. 215/383
2008/0245761	A1	10/2008	Piccioli et al.	
2008/0257855	A1	10/2008	Patel	

* cited by examiner

Primary Examiner — Ian Simmons

Assistant Examiner — Dana L Sipos

(74) *Attorney, Agent, or Firm* — Mario A. Tabone

(57) **CLAIM**

The ornamental design for a container, as shown and described.

DESCRIPTION

FIG. 1 is a top, front, left perspective view of a container showing our new design;

FIG. 2 is a front elevational view thereof;

FIG. 3 is a rear elevational view thereof;

FIG. 4 is a left side elevational view thereof;

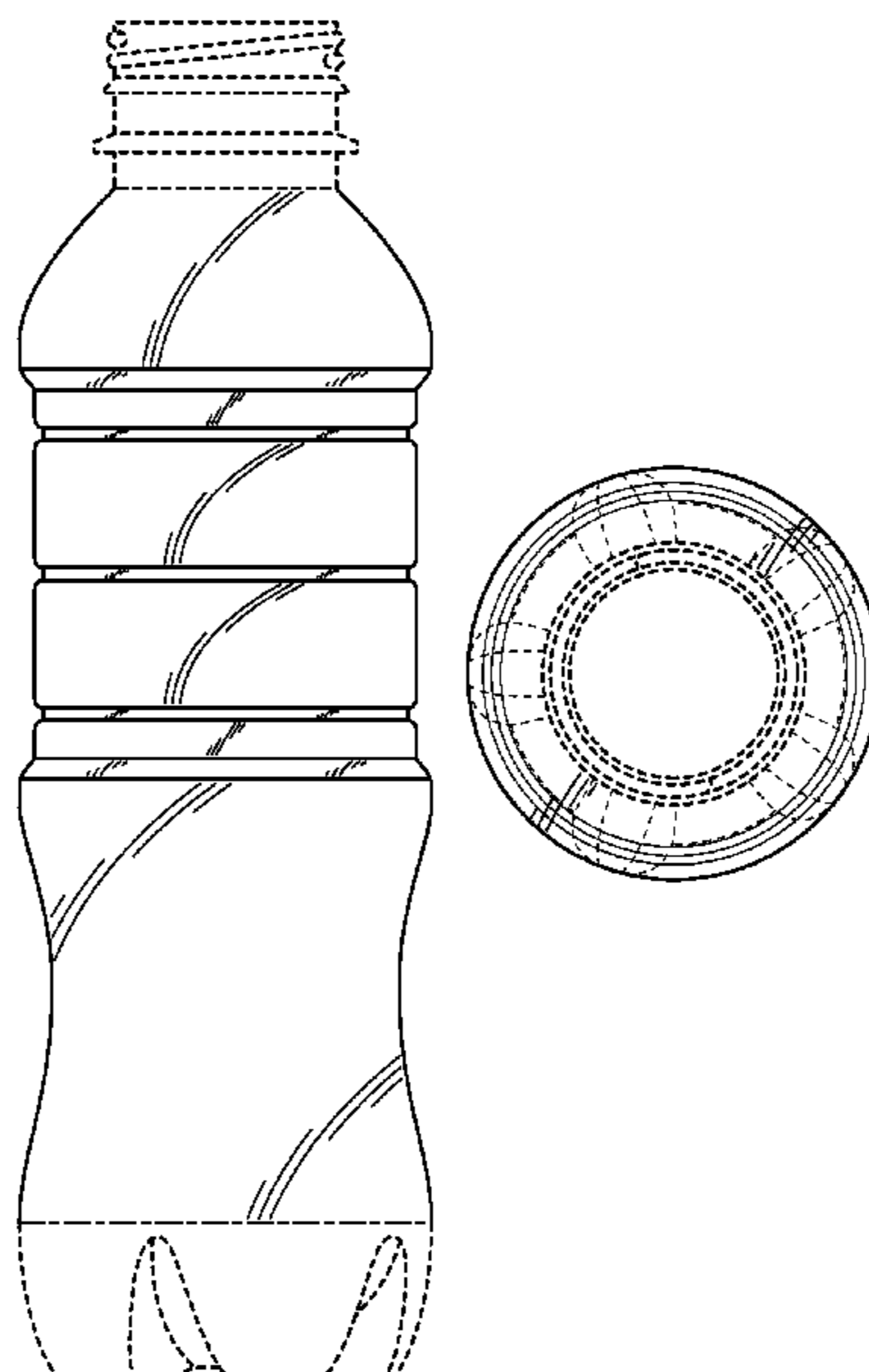
FIG. 5 is a right side elevational view thereof;

FIG. 6 is a top plan view thereof; and,

FIG. 7 is a bottom plan view thereof.

The evenly dashed broken lines in the drawings illustrate the portions of the design that form no part of the claim. The dot-dash broken lines in the drawings define the bounds of the claim and form no part thereof.

1 Claim, 6 Drawing Sheets



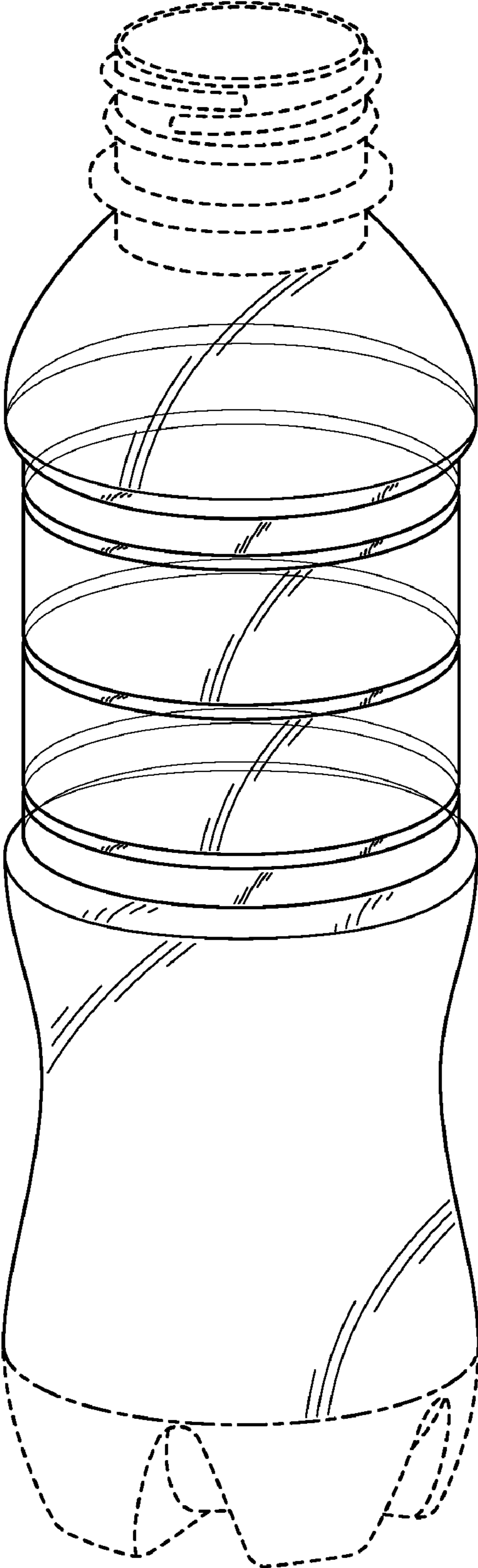


FIG. 1

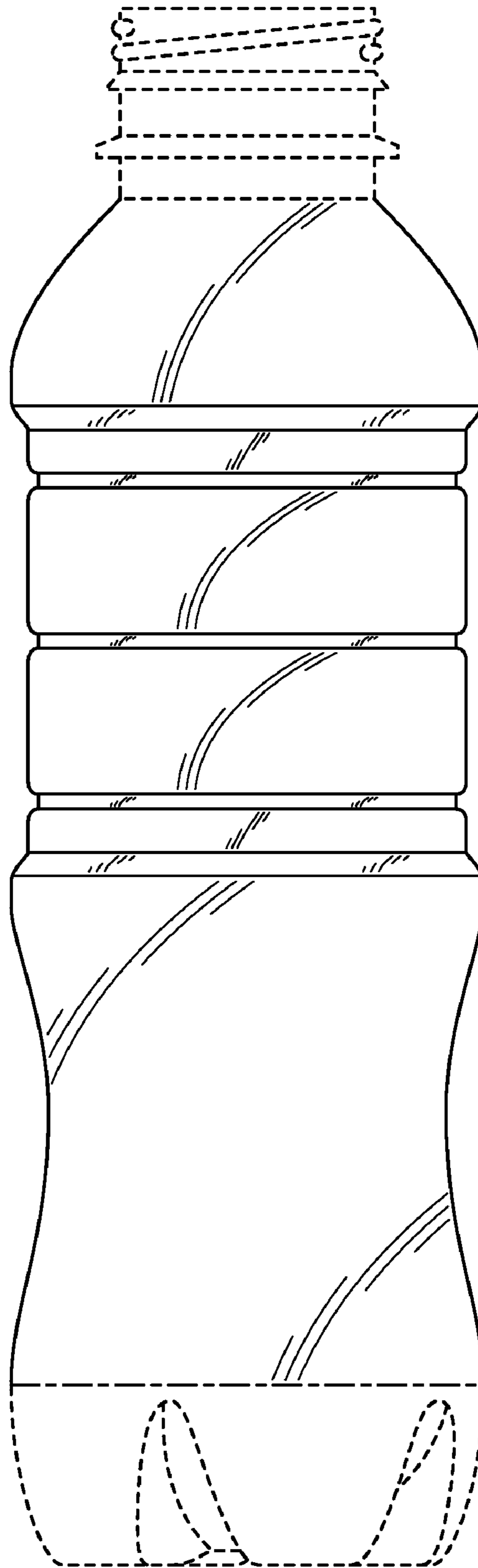


FIG. 2

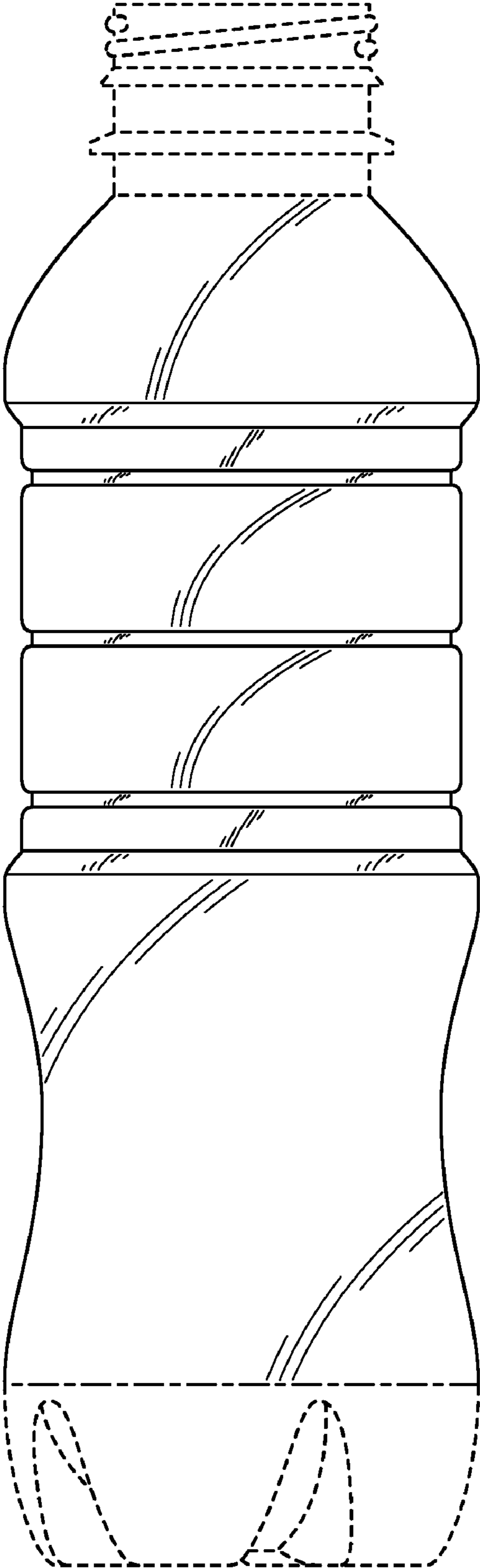


FIG. 3

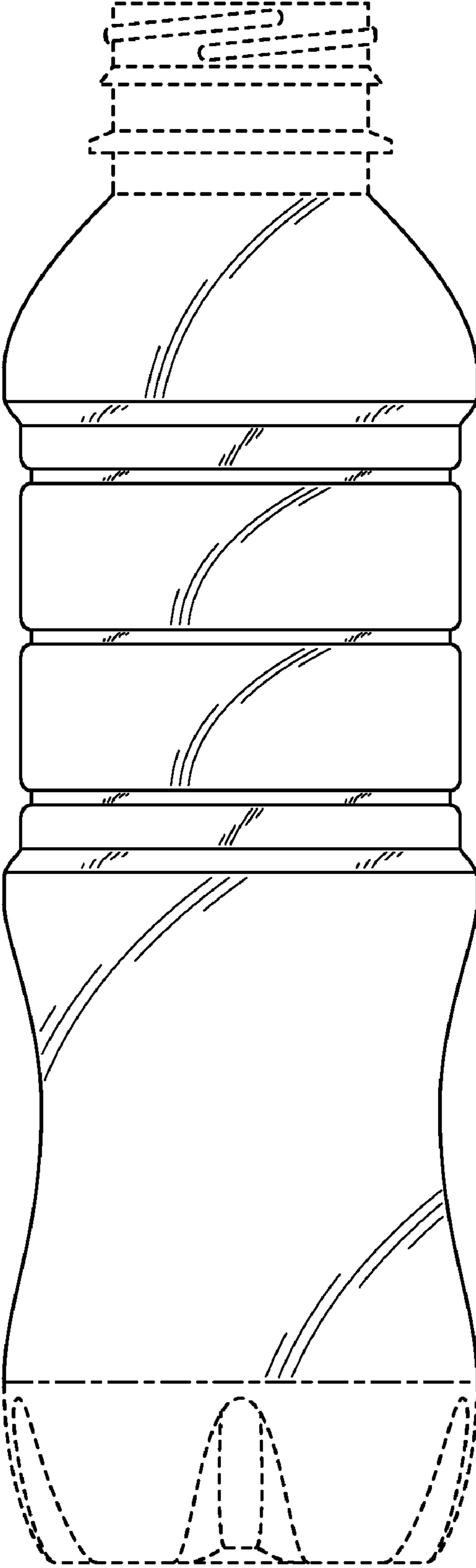


FIG. 4

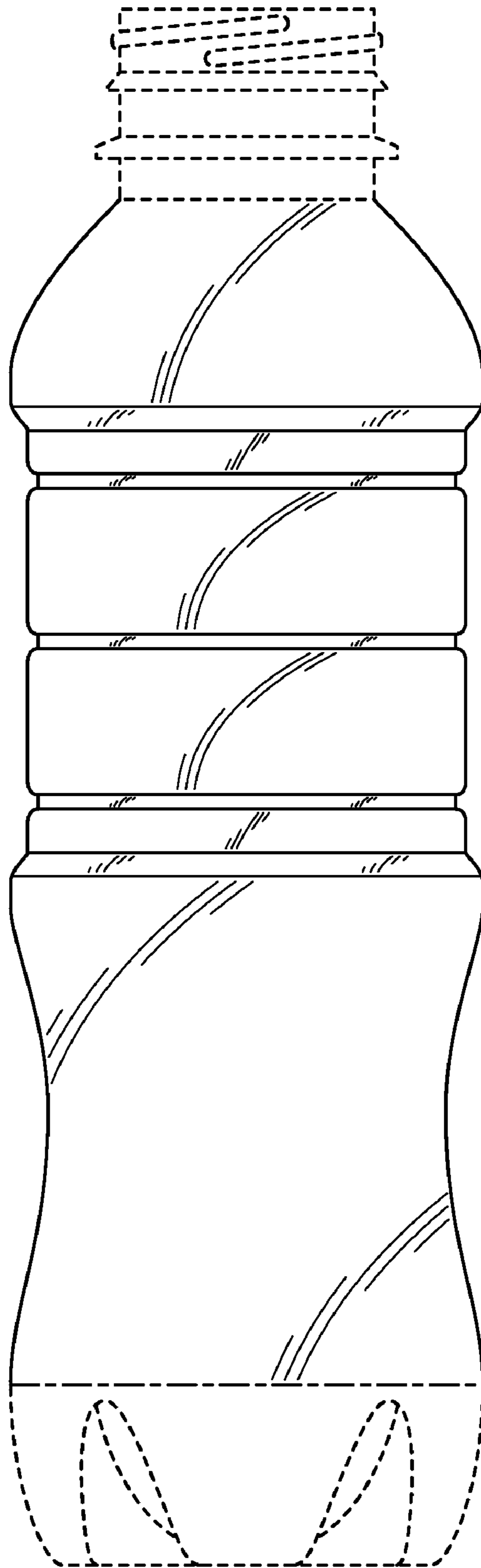


FIG. 5

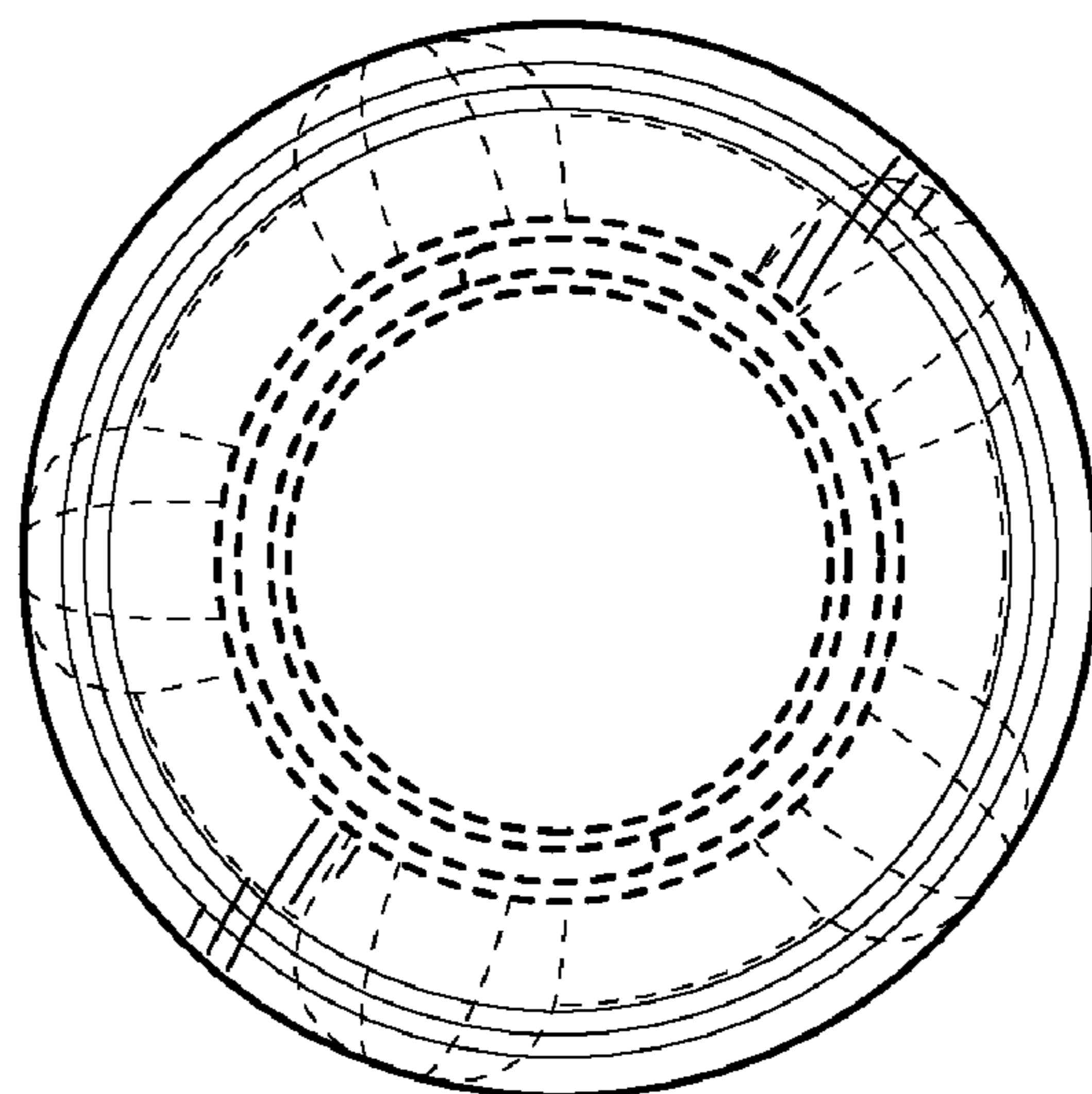


FIG. 6

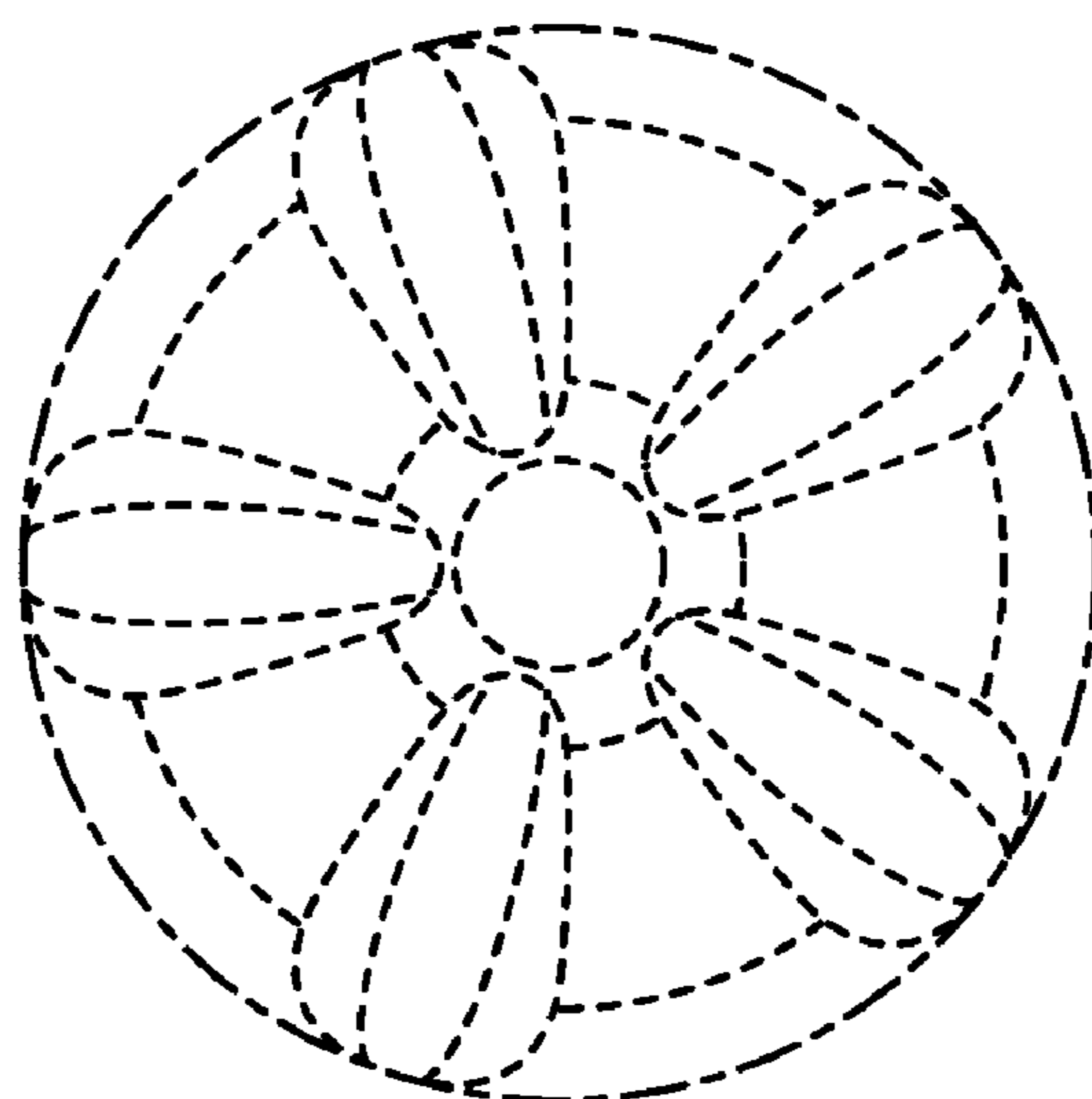


FIG. 7