



US00D637906S

(12) **United States Design Patent**
Rigling et al.

(10) **Patent No.:** **US D637,906 S**

(45) **Date of Patent:** **** May 17, 2011**

(54) **POURING SPOUT**

(75) Inventors: **Felix Rigling**, Frauenfeld (CH); **Jörg Helas**, Feuerthalen (CH)

(73) Assignee: **SIG Technology AG**, Neuhausen am Rheinfall (CH)

(**) Term: **14 Years**

(21) Appl. No.: **29/350,754**

(22) Filed: **Nov. 23, 2009**

(30) **Foreign Application Priority Data**

May 28, 2009 (DE) 40 2009 002 605
Jun. 15, 2009 (DE) 40 2009 005 605

(51) **LOC (9) Cl.** **09-06**

(52) **U.S. Cl.** **D9/446; D9/453; D9/454; D9/451**

(58) **Field of Classification Search** D9/651,
D9/453, 452, 450, 449, 446, 443, 435; 222/83;
220/277; 215/252, 216, 206, 222, 219
See application file for complete search history.

(56) **References Cited**

U.S. PATENT DOCUMENTS

D174,205 S * 3/1955 Ward D9/446
D266,906 S * 11/1982 Guerette D9/453

4,573,601 A * 3/1986 Berglund 215/252
D291,868 S * 9/1987 Hindle D9/453
D364,810 S * 12/1995 Meisner D9/446
D542,655 S * 5/2007 Szczesniak D9/453
D574,240 S * 8/2008 Szczesniak D9/453
D615,864 S * 5/2010 Fuchs D9/453
2008/0217286 A1 * 9/2008 Roberts et al. 215/252

* cited by examiner

Primary Examiner — Susan Bennett Hattan

(74) *Attorney, Agent, or Firm* — The Webb Law Firm

(57) **CLAIM**

The ornamental design for a pouring spout, as shown and described.

DESCRIPTION

FIG. 1 is left side view of a pouring spout, in accordance with the present design;

FIG. 2 is a front view of the pouring spout shown in FIG. 1;

FIG. 3 is a perspective view of the pouring spout shown in FIG. 1;

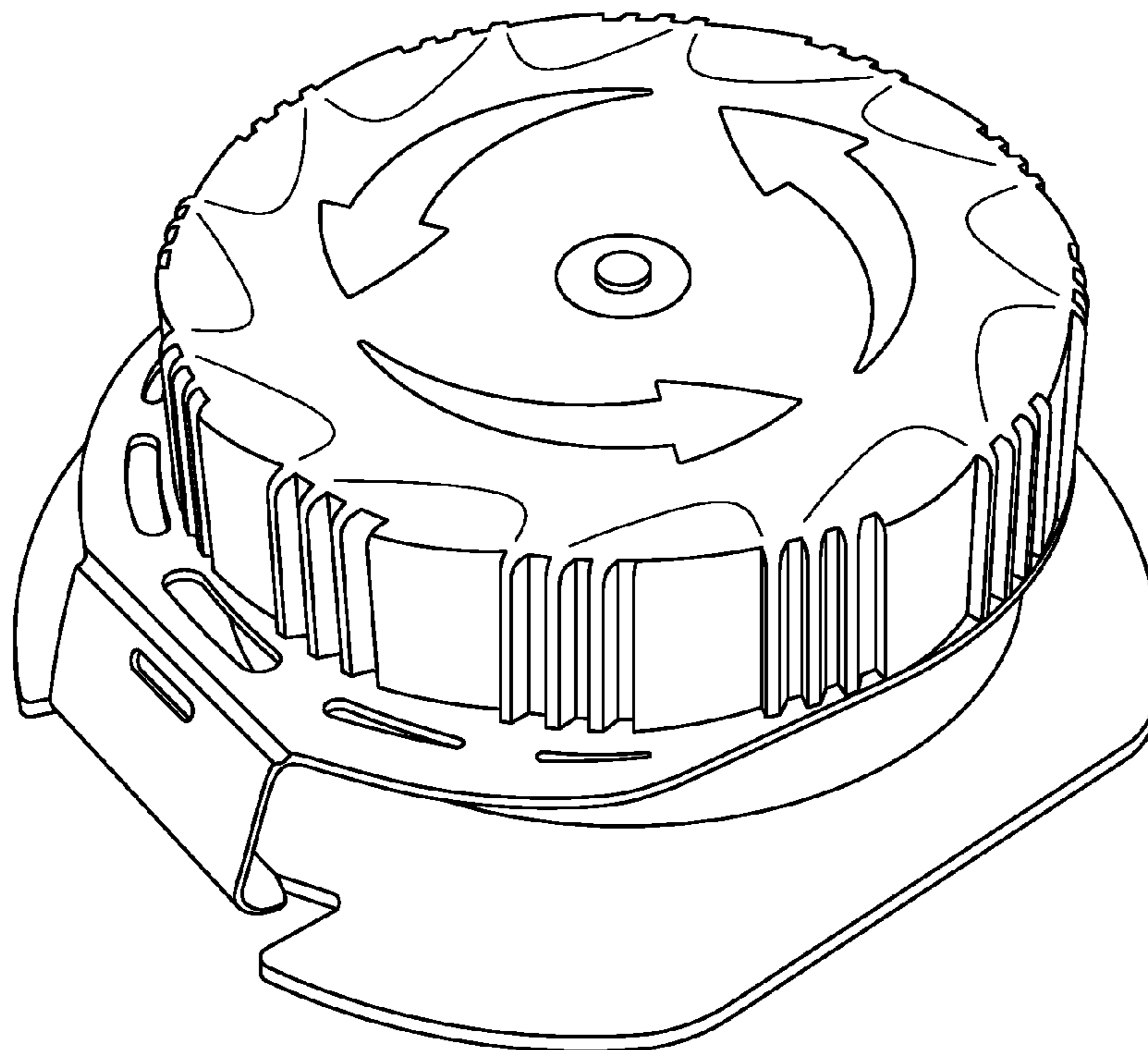
FIG. 4 is a rear view of the pouring spout shown in FIG. 1;

FIG. 5 is a right side view of the pouring spout shown in FIG. 1; and,

FIG. 6 is a top view of the pouring spout shown in FIG. 1.

The bottom or underside of the pouring spout, which is not depicted in the figures, forms no part of the claimed design.

1 Claim, 6 Drawing Sheets



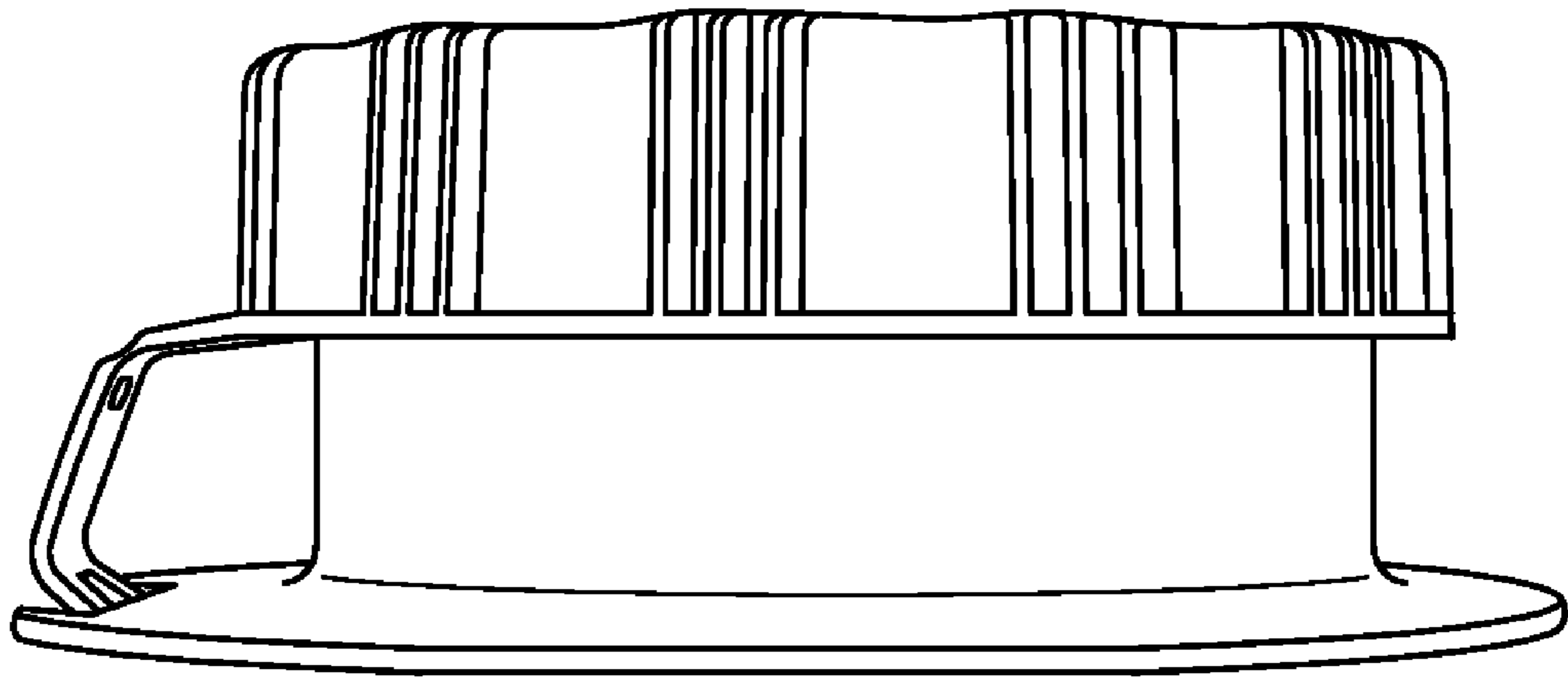


Fig. 1

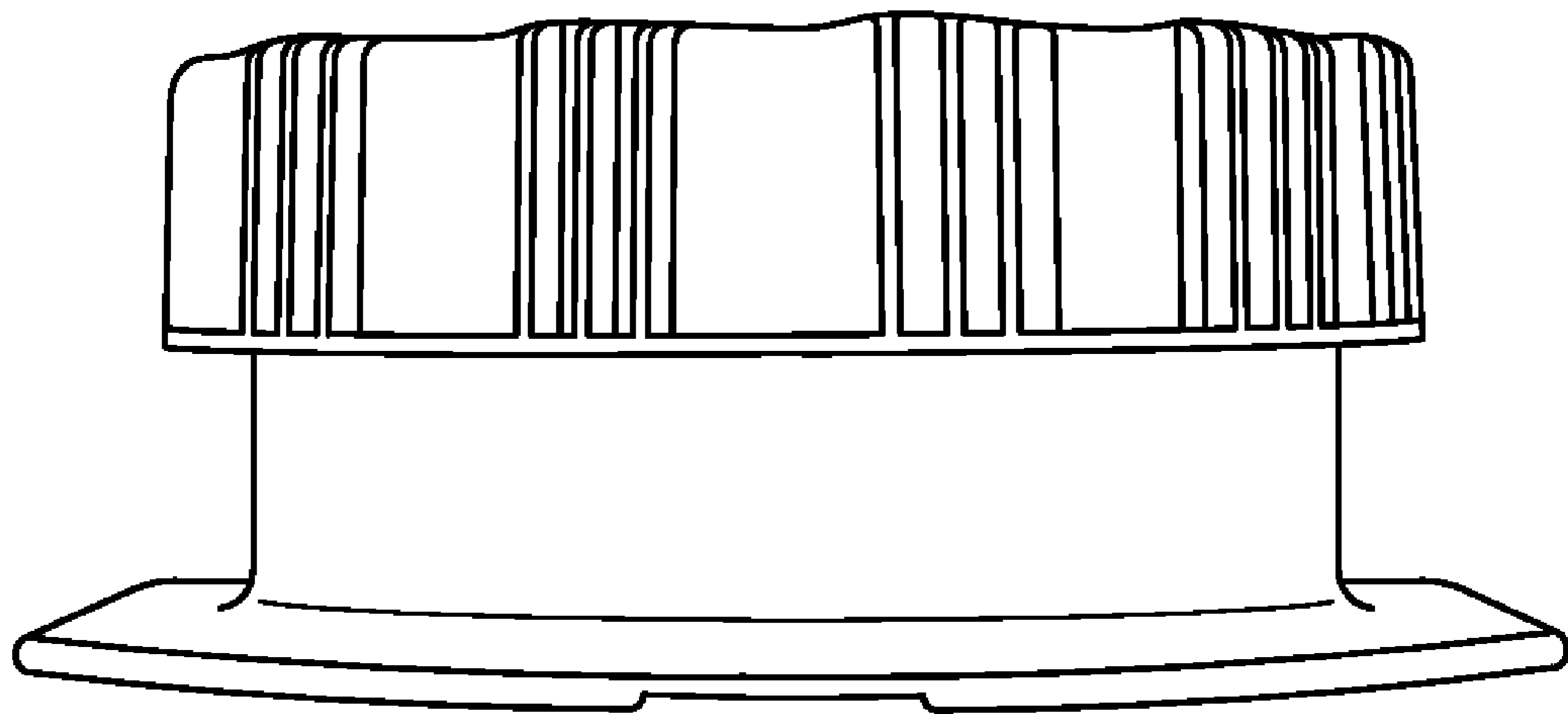


Fig. 2

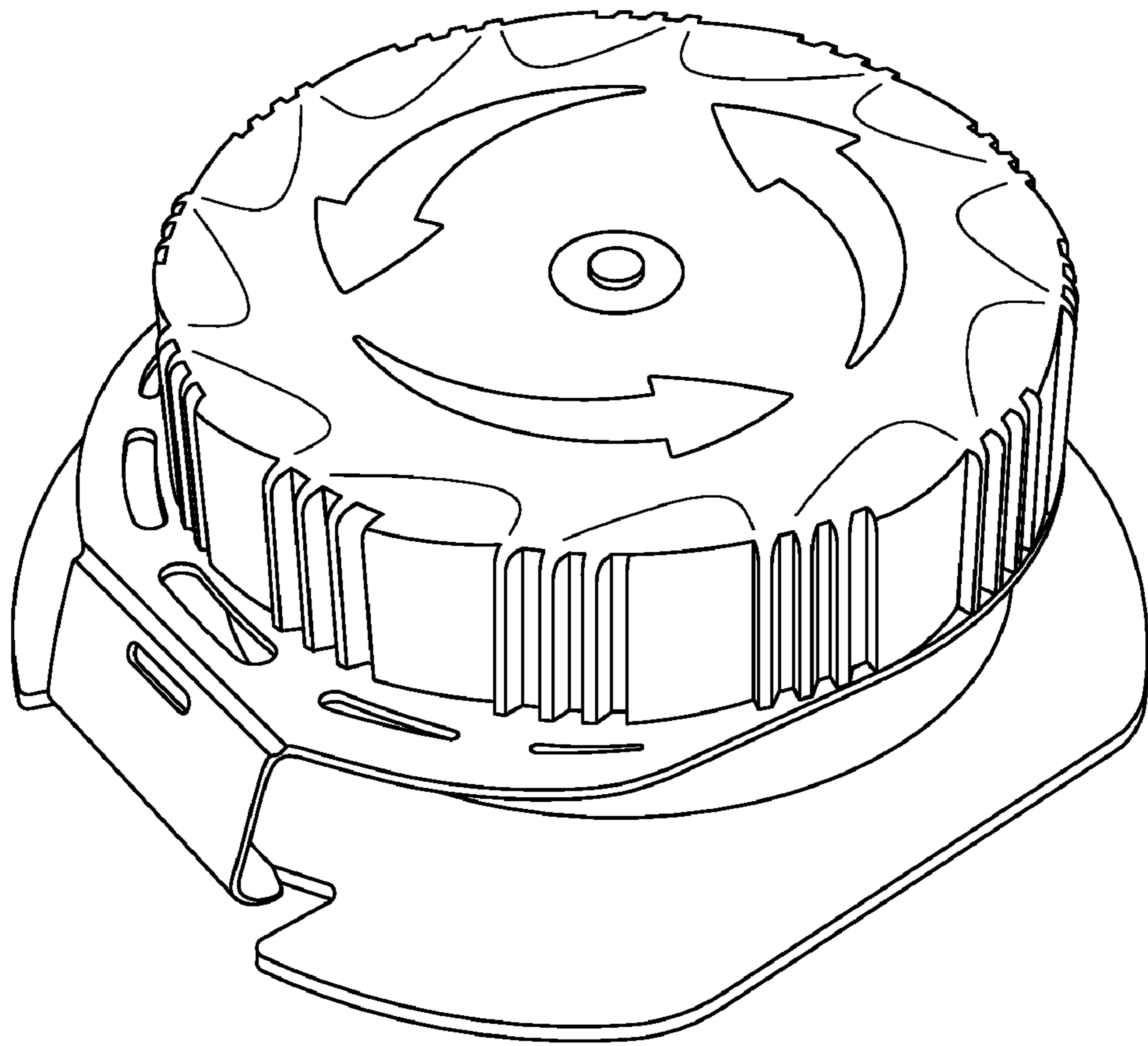


Fig. 3

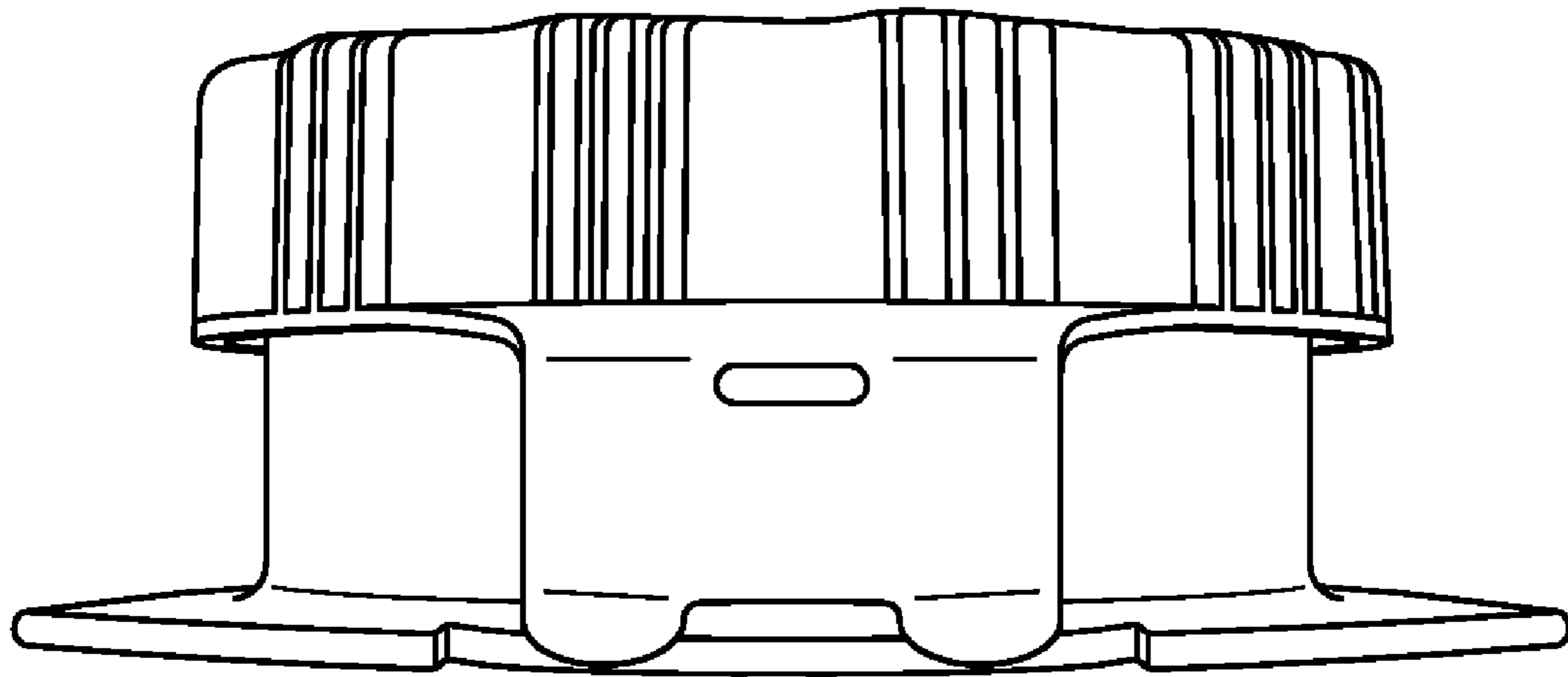


Fig. 4

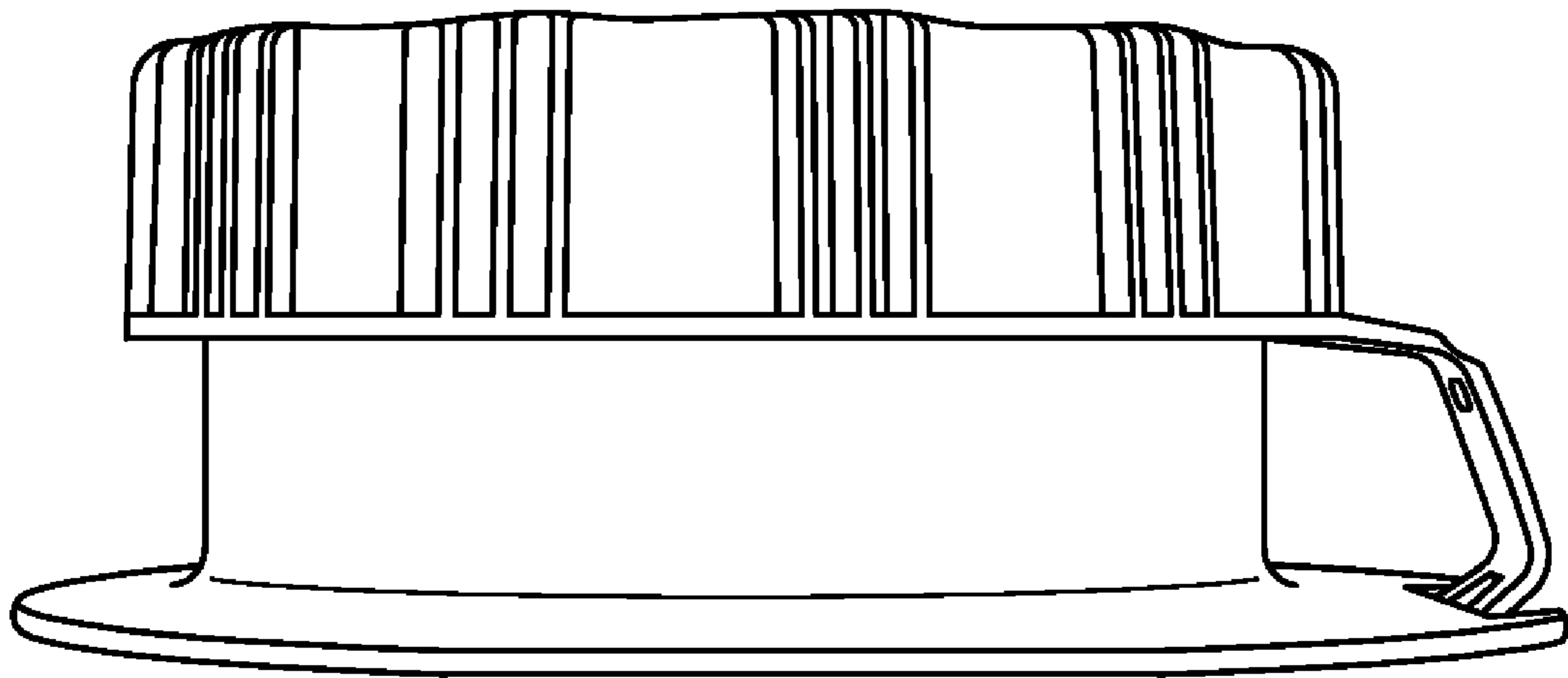


Fig. 5

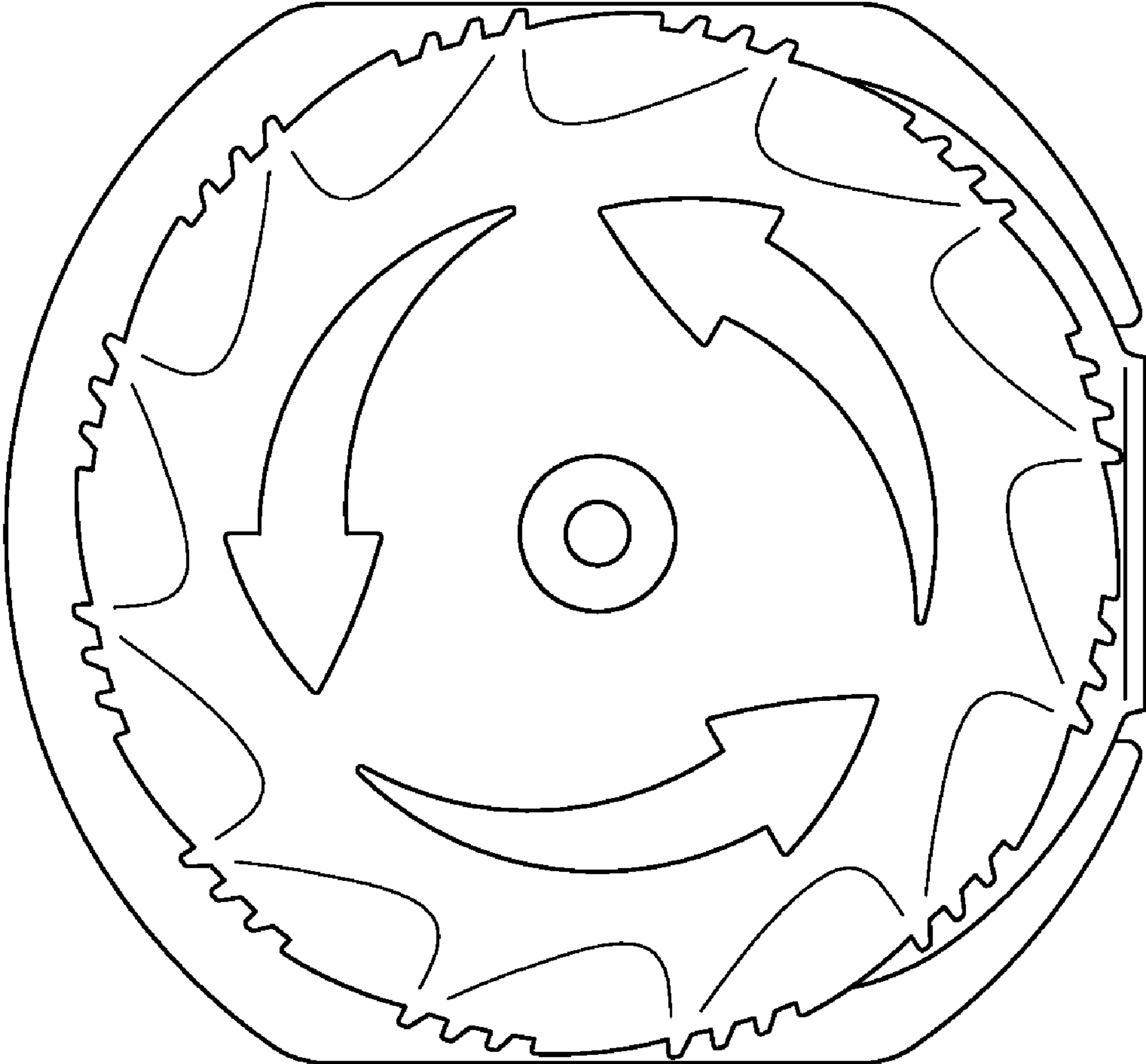


Fig. 6