

US00D637902S

(12) **United States Design Patent**  
**Evon**

(10) **Patent No.:** **US D637,902 S**

(45) **Date of Patent:** **\*\* \*May 17, 2011**

(54) **CASE FOR ADHESIVE TAPE**

(75) Inventor: **Marc Evon**, Windsor (CA)

(73) Assignee: **Marc Evon Enterprises Inc.**, Ontario (CA)

(\*\*) Term: **14 Years**

(21) Appl. No.: **29/359,203**

(22) Filed: **Apr. 7, 2010**

(30) **Foreign Application Priority Data**

Oct. 8, 2009 (CA) ..... 132496

(51) **LOC (9) Cl.** ..... **09-03**

(52) **U.S. Cl.** ..... **D9/419**

(58) **Field of Classification Search** ..... D9/414,  
D9/415, 418, 419, 420, 422, 425, 426, 730,  
D9/735, 756, 757; 220/337; 206/389, 394,  
206/396, 406, 409, 391, 422; 242/594.2,  
242/588.3, 55.53; D6/520; D19/67-68;  
229/2.5

See application file for complete search history.

(56) **References Cited**

**U.S. PATENT DOCUMENTS**

2,889,975 A \* 6/1959 Hanlon ..... 225/19  
D204,323 S \* 4/1966 Bostrom ..... D9/757  
3,948,455 A \* 4/1976 Schwartz ..... 242/594.2  
D244,121 S \* 4/1977 Schwartz ..... D9/730  
D251,125 S \* 2/1979 DuFresne et al. .... D19/67  
D276,590 S \* 12/1984 Lobel ..... D9/730

D283,789 S \* 5/1986 Kodousek et al. .... D9/419  
D303,354 S \* 9/1989 Catacchio ..... D9/419  
D329,978 S \* 10/1992 Ryan ..... D9/415  
D588,934 S \* 3/2009 Bailey et al. .... D9/756  
D620,350 S \* 7/2010 Hernandez ..... D9/425

**OTHER PUBLICATIONS**

Order form for Plano 1085 XL Line Spool Storage Box.

\* cited by examiner

*Primary Examiner* — Thomas J Johannes

(74) *Attorney, Agent, or Firm* — Bracewell & Giuliani LLP

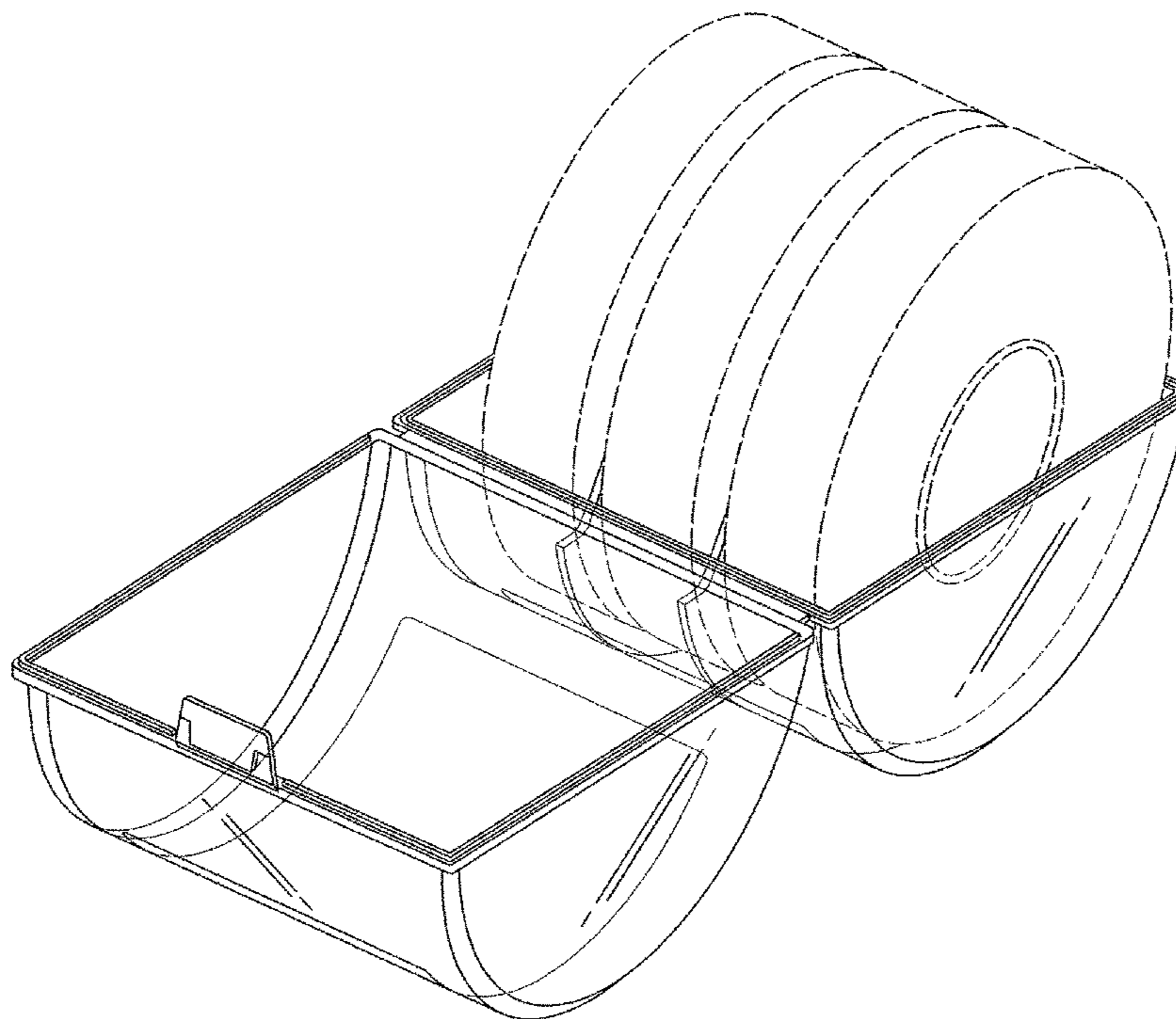
(57) **CLAIM**

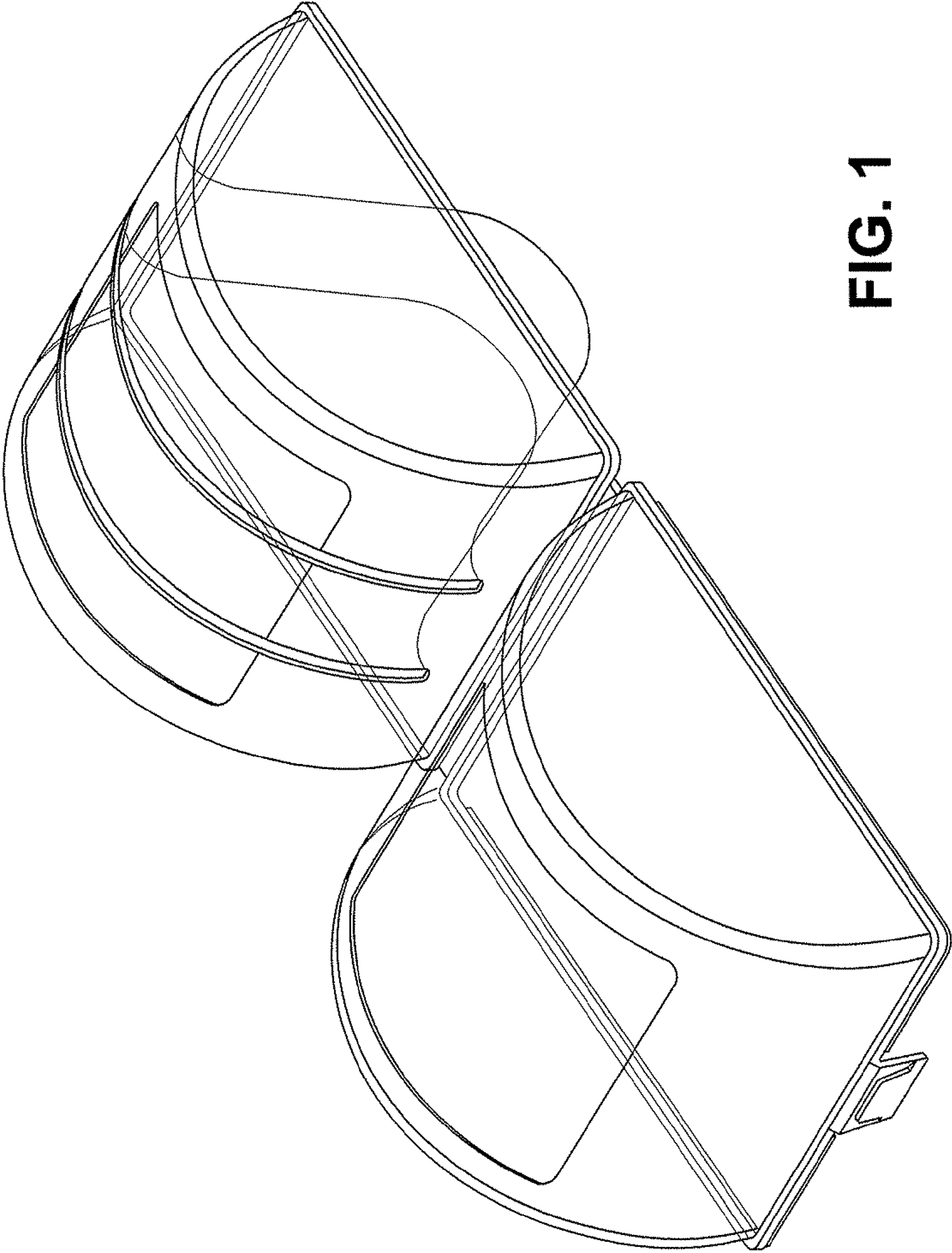
The ornamental design for a case for adhesive tape, as shown and described.

**DESCRIPTION**

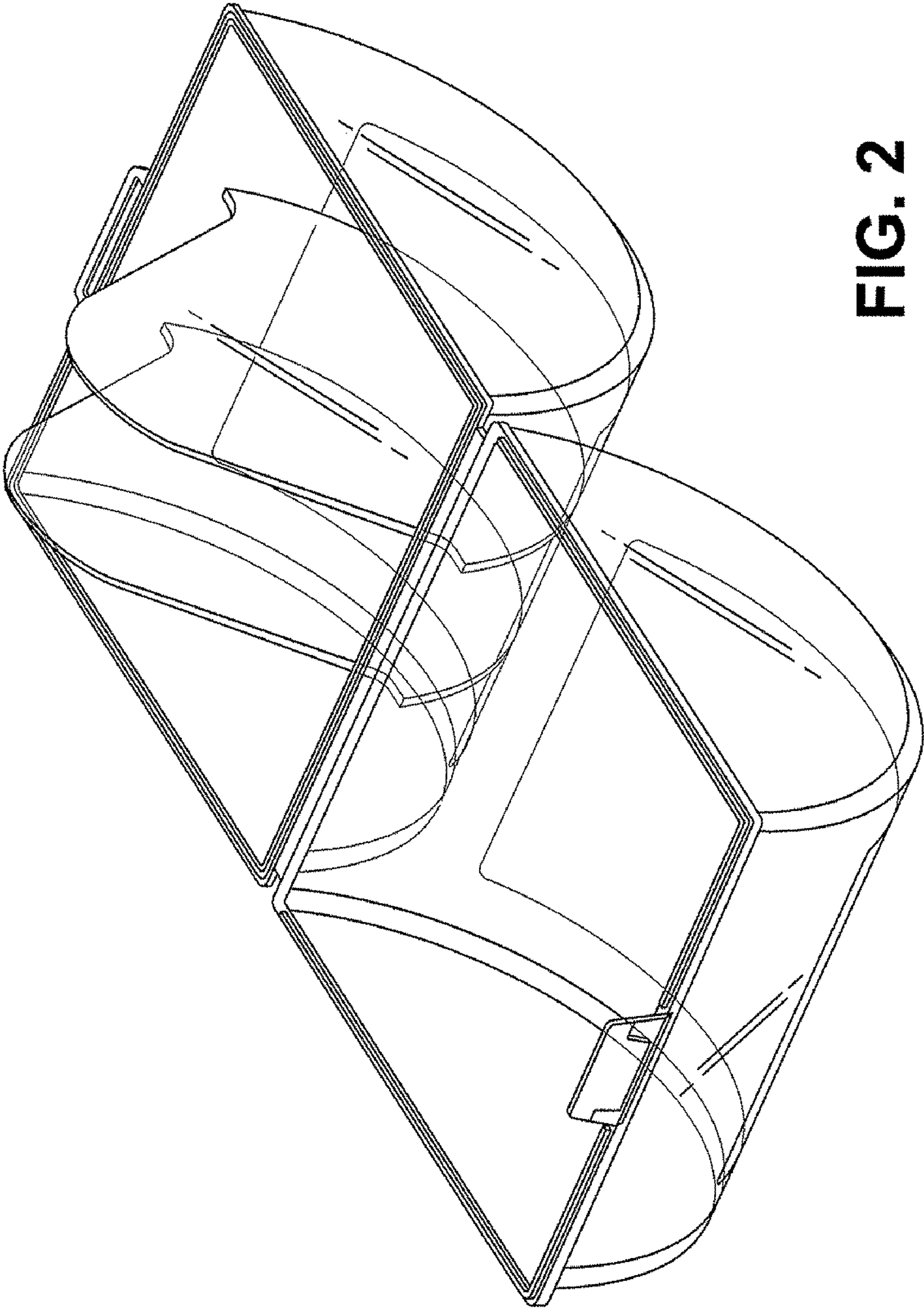
FIG. 1 is a perspective view of a case for adhesive tape in an open position showing my new design;  
FIG. 2 is an additional perspective view thereof;  
FIG. 3 is a top plan view thereof, shown in a slightly enlarged scale;  
FIG. 4 bottom plan view thereof;  
FIG. 5 a left side elevational view thereof; the right side elevational view being a mirror image thereto;  
FIG. 6 is a rear elevational view thereof;  
FIG. 7 is a front elevational view thereof;  
FIG. 8 is a perspective view thereof in a closed position; and,  
FIG. 9 is yet another perspective view thereof in an open position with unclaimed adhesive tape rolls placed therein.  
The broken lines depict unclaimed environmental subject matter only and form no part of the claimed design.

**1 Claim, 9 Drawing Sheets**





**FIG. 1**



**FIG. 2**

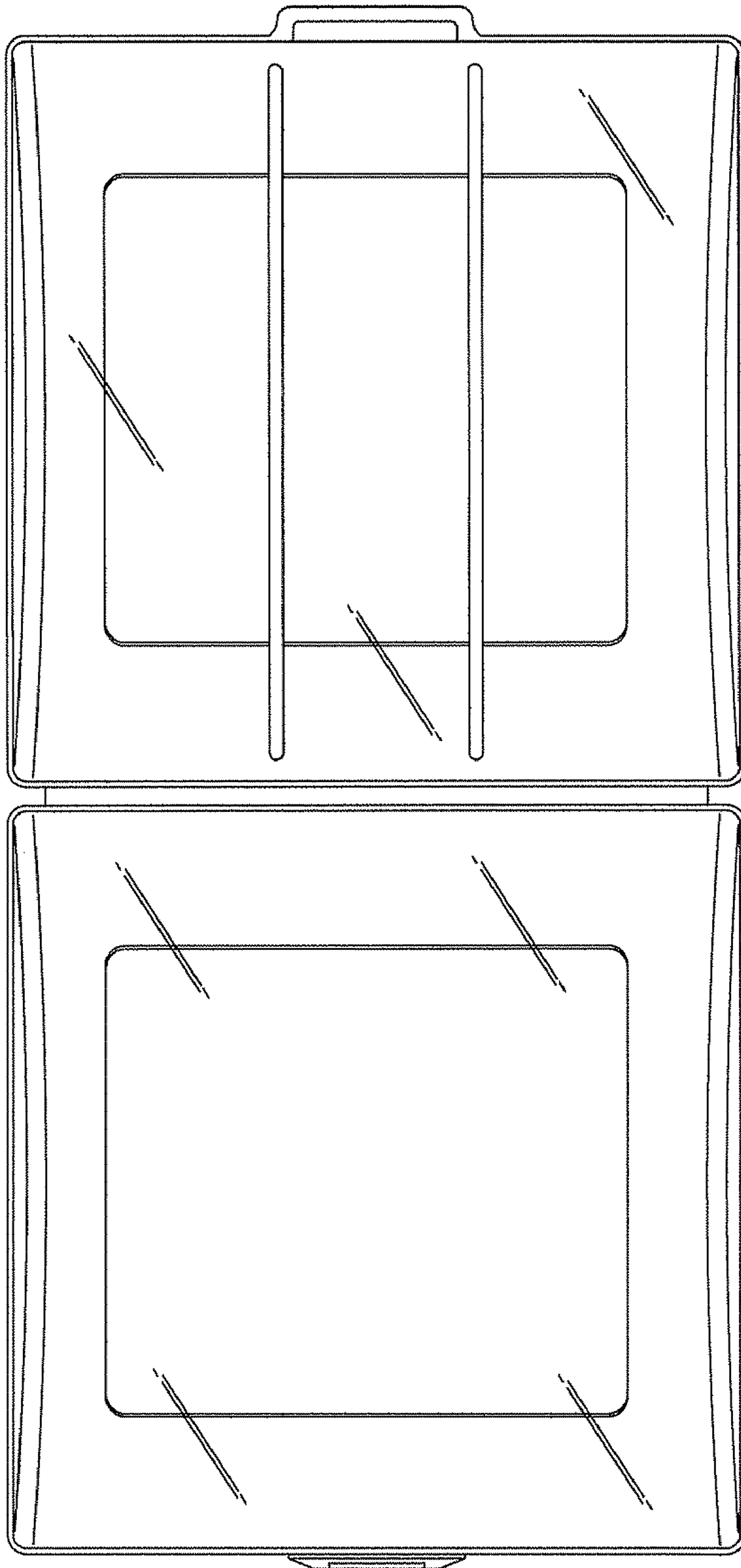
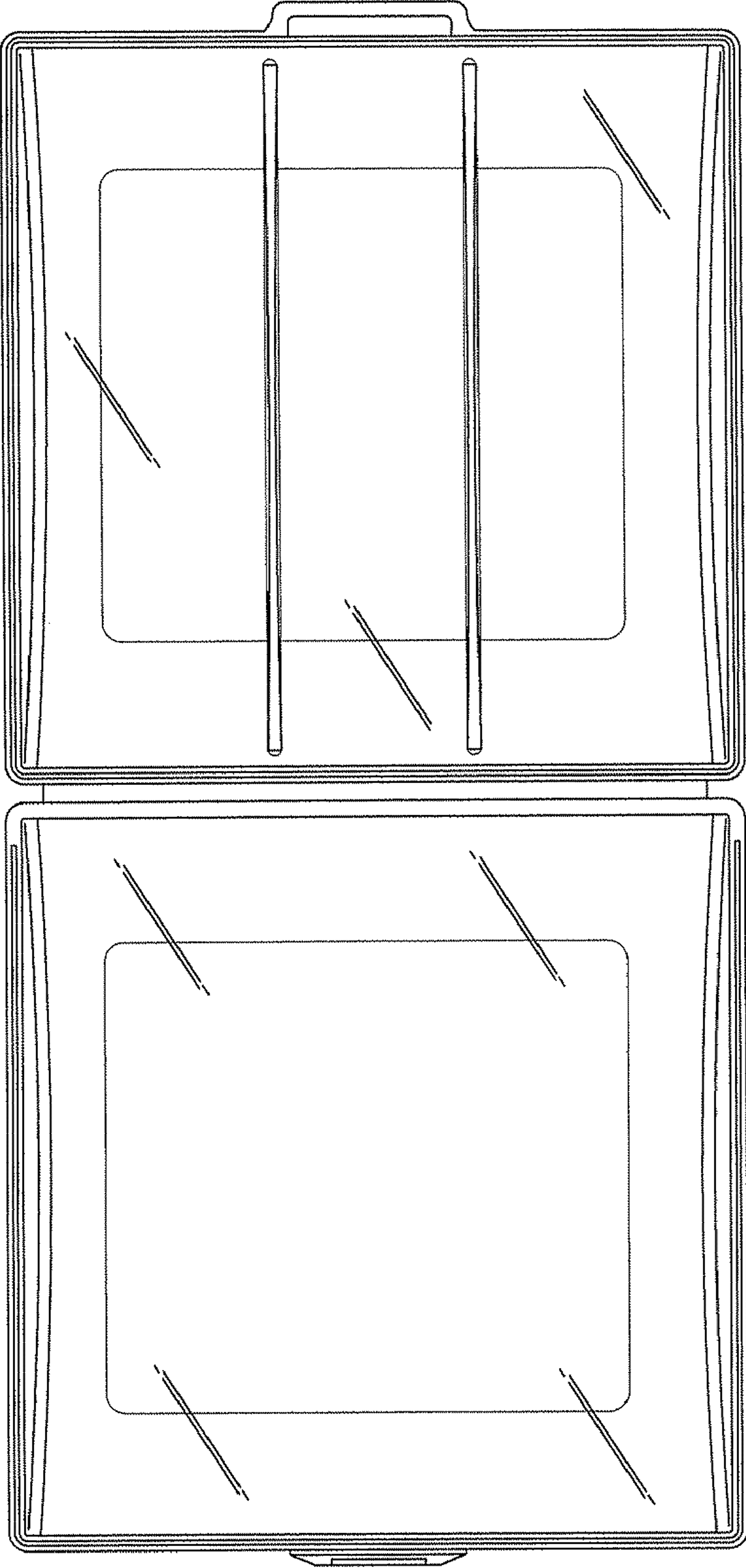


FIG. 3



**FIG. 4**

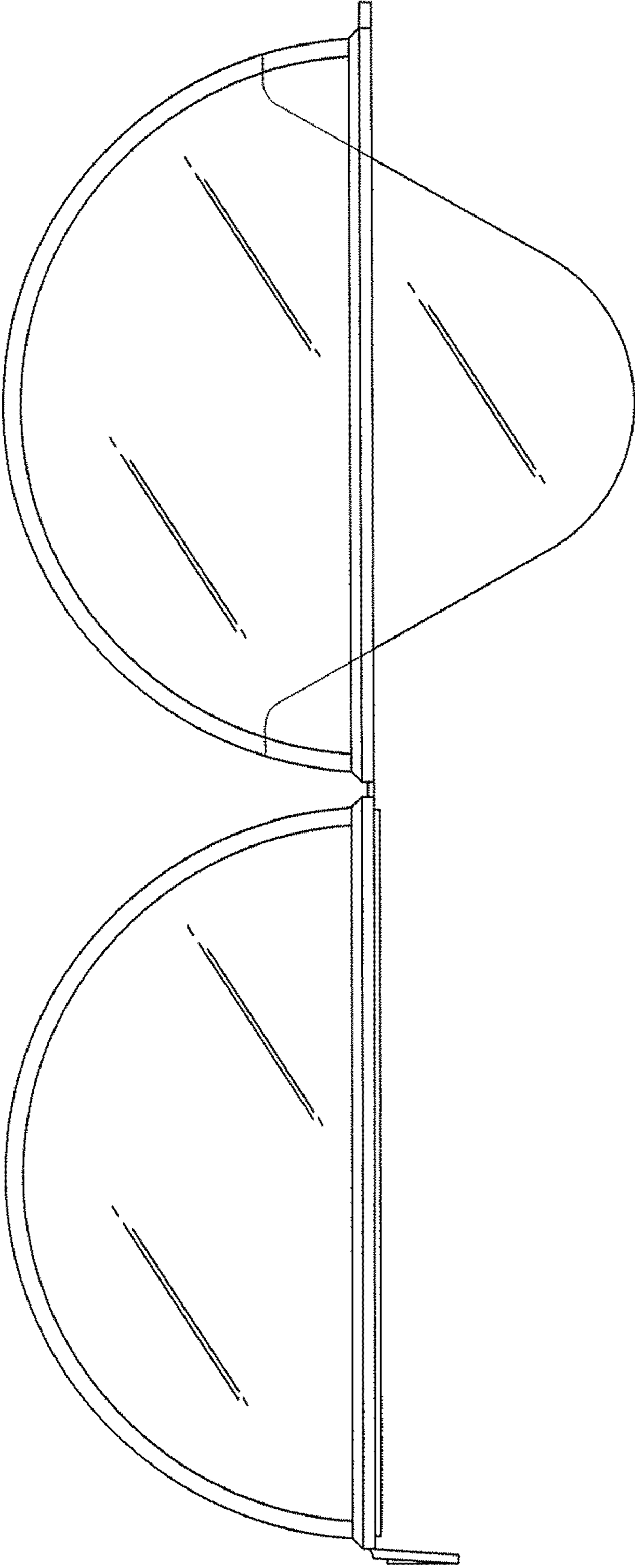
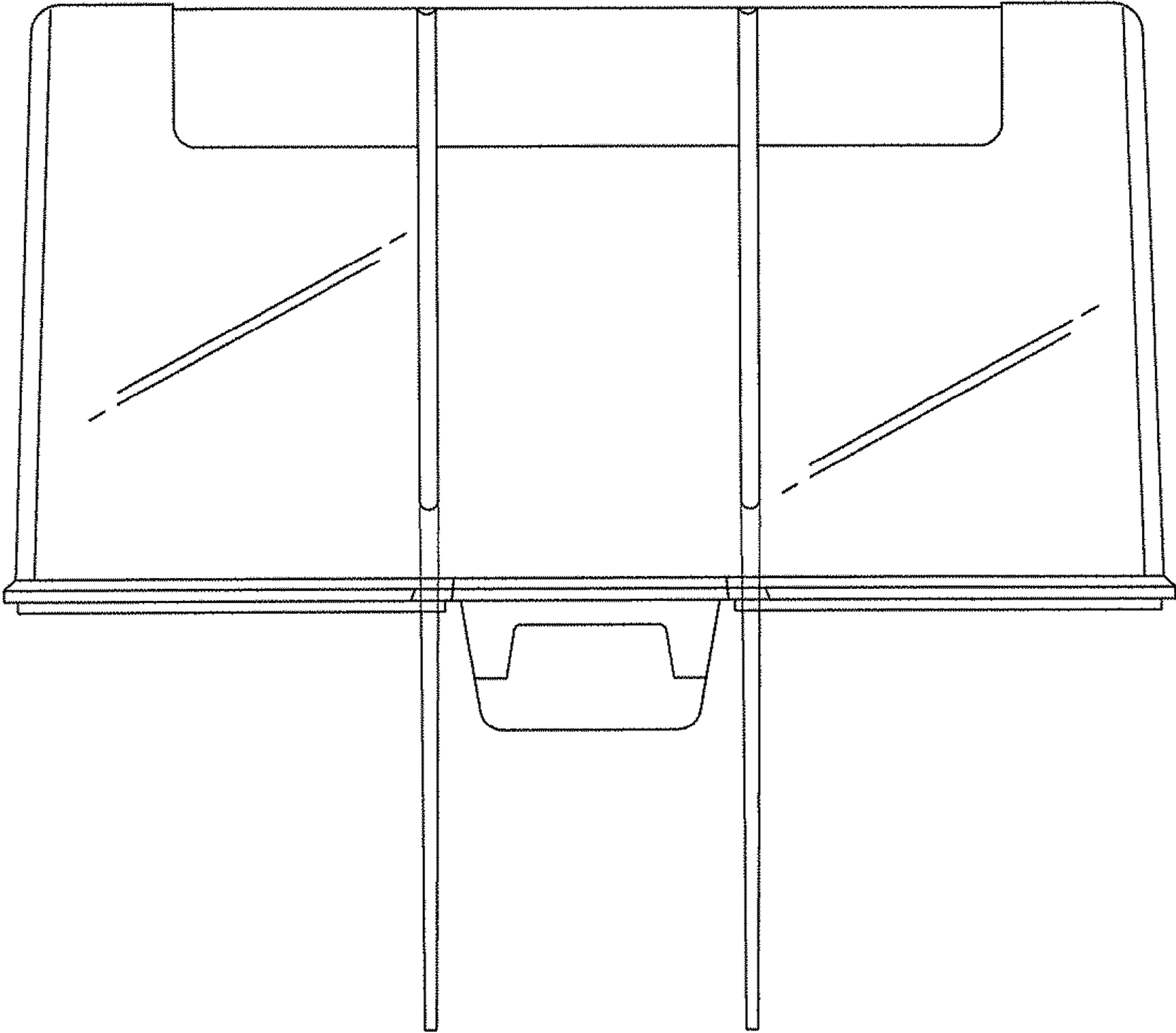
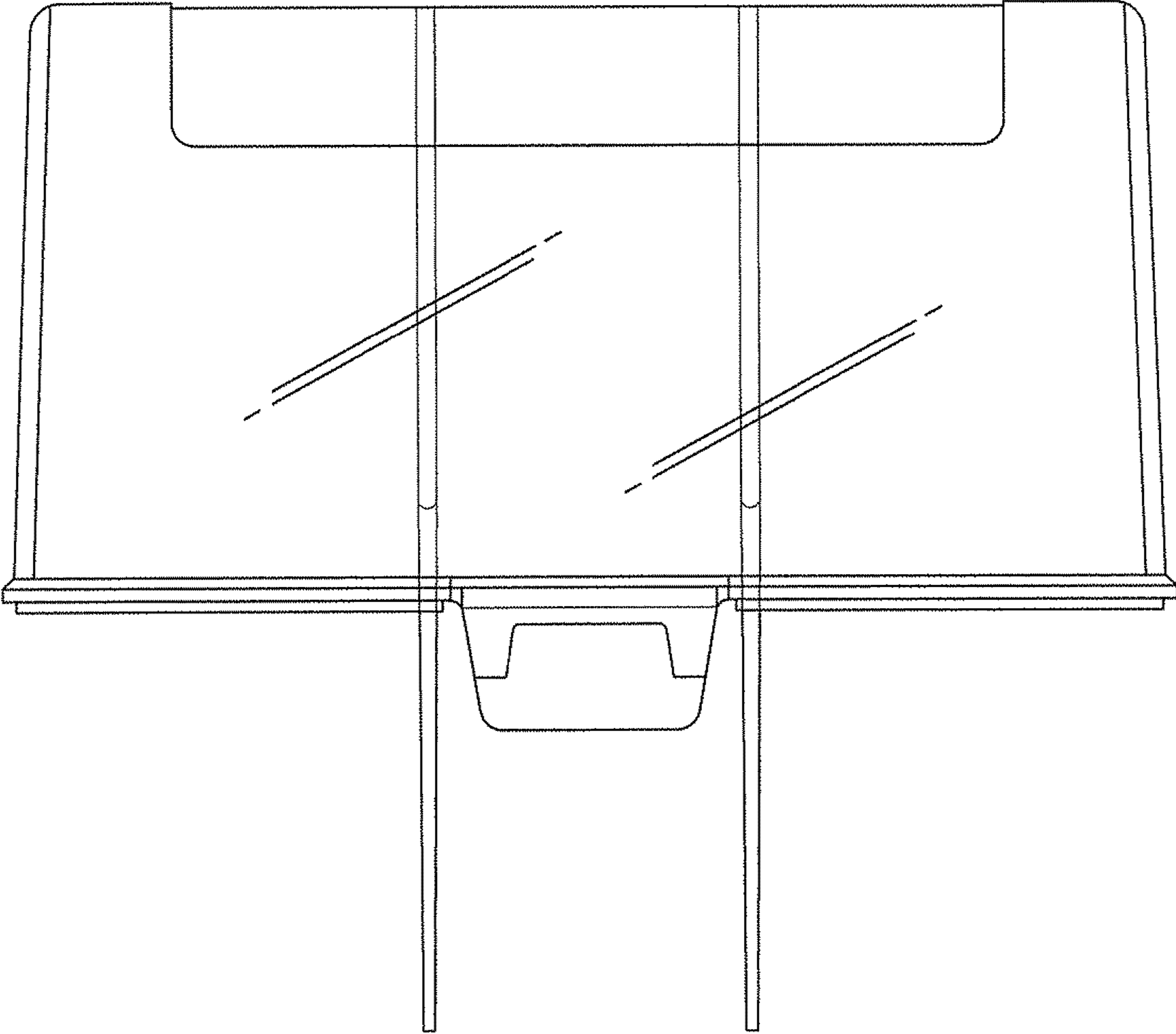


FIG. 5

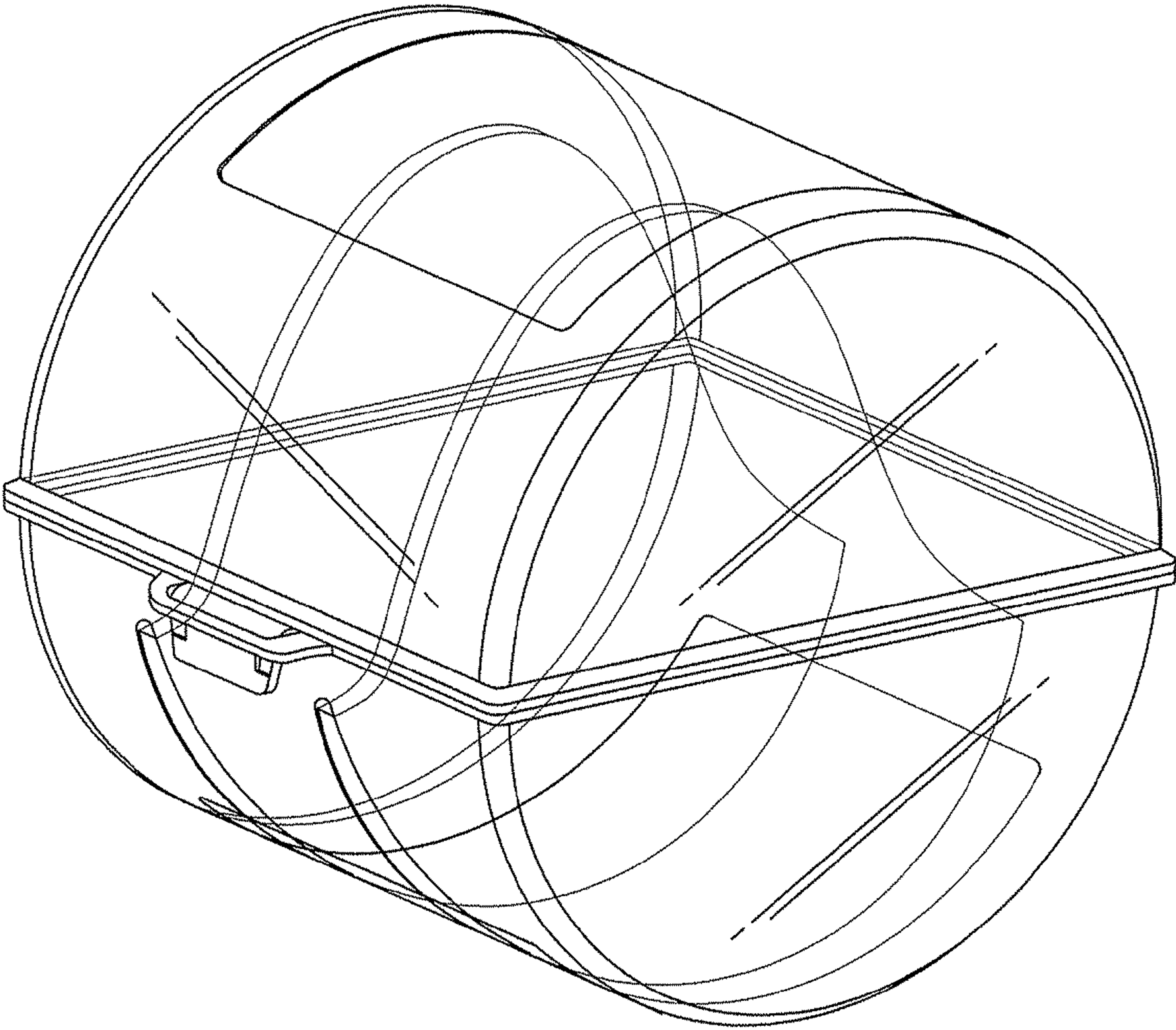


**FIG. 6**



**FIG. 7**





**FIG. 8**

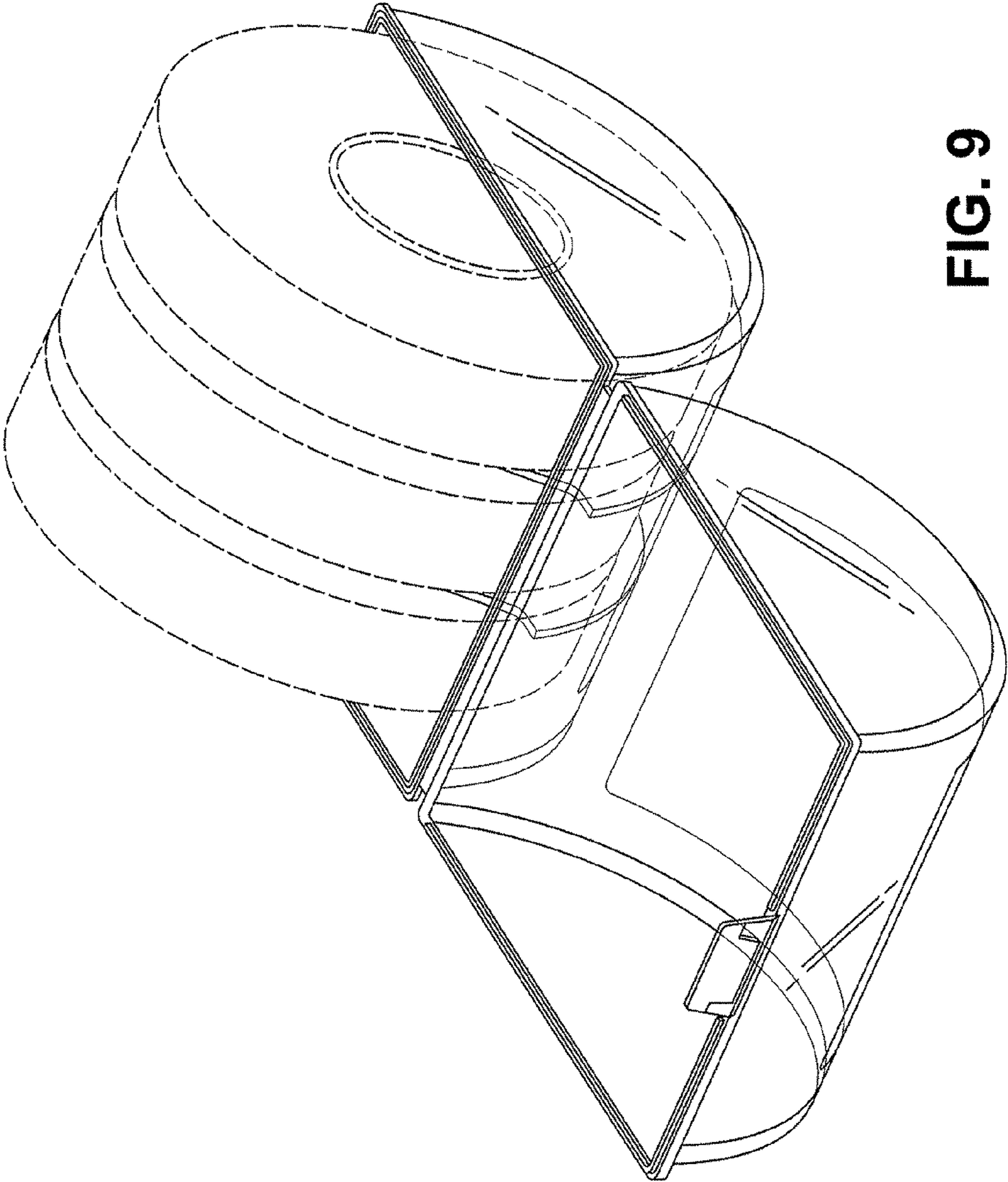


FIG. 9