



US00D637900S

(12) **United States Design Patent**
Paik

(10) **Patent No.:** **US D637,900 S**

(45) **Date of Patent:** **** May 17, 2011**

(54) **TRACK CLIP**

(76) Inventor: **Jisook Paik**, Seoul (KR)

(**) Term: **14 Years**

(21) Appl. No.: **29/366,039**

(22) Filed: **Jul. 19, 2010**

(51) **LOC (9) Cl.** **08-08**

(52) **U.S. Cl.** **D8/395**

(58) **Field of Classification Search** D8/356,
D8/371, 394-396; D19/65, 34; D24/128;
24/570, 128, 67.9, 66.13; 248/74.2, 215,
248/227.1, 49, 300, 301, 316.7, 51, 489;
D11/214, 215, 78.1; 116/237

See application file for complete search history.

6,497,396 B1 *	12/2002	Adams	248/304
D530,192 S *	10/2006	Becerra	D8/395
D530,598 S *	10/2006	Jackson et al.	D8/395
D547,170 S *	7/2007	Cox et al.	D8/395
D578,383 S *	10/2008	Adams	D8/395
D604,591 S *	11/2009	Snell	D8/367
D608,189 S *	1/2010	Jackson et al.	D8/395
D610,901 S *	3/2010	Jones	D8/394
D628,615 S *	12/2010	Siegel et al.	D16/242

* cited by examiner

Primary Examiner — Celia A Murphy

Assistant Examiner — John Windmuller

(74) *Attorney, Agent, or Firm* — Kile Park Goekjian Reed & McManus PLLC

(57) **CLAIM**

I claim, the ornamental design for a track clip, as shown and described.

(56) **References Cited**

U.S. PATENT DOCUMENTS

881,757 A *	3/1908	Windsor	24/10 A
1,376,753 A *	5/1921	Febrey	24/67.11
3,090,347 A *	5/1963	Harnett, Jr	116/237
3,108,385 A *	10/1963	Teufel	36/50.1
3,748,815 A *	7/1973	Parker	52/714
D251,124 S *	2/1979	Takeuchi	D19/65
D368,219 S *	3/1996	Protz, Jr.	D8/371
D376,973 S *	12/1996	Brown	D8/395
D378,439 S *	3/1997	Gary et al.	D26/138
D405,681 S *	2/1999	McDowell et al.	D8/367
D421,565 S *	3/2000	Jones et al.	D8/395
D453,294 S *	2/2002	Bitzer	D8/395
6,352,229 B1 *	3/2002	Adams	248/316.7
D455,337 S *	4/2002	Maruoka	D8/383
6,453,518 B1 *	9/2002	Adams et al.	24/67.9

DESCRIPTION

FIG. 1 is a perspective view of a track clip, showing my new design;

FIG. 2 is a front elevational view thereof;

FIG. 3 is a rear elevational view thereof;

FIG. 4 is a left side elevational view thereof;

FIG. 5 is a right side elevational view thereof;

FIG. 6 is a top plan view thereof;

FIG. 7 is a bottom plan view thereof; and,

FIG. 8 is a cross-sectional view taken along the line '8—8' in FIG. 2.

The broken crosshatch lines in FIG. 8 form no part of the claimed design.

1 Claim, 8 Drawing Sheets

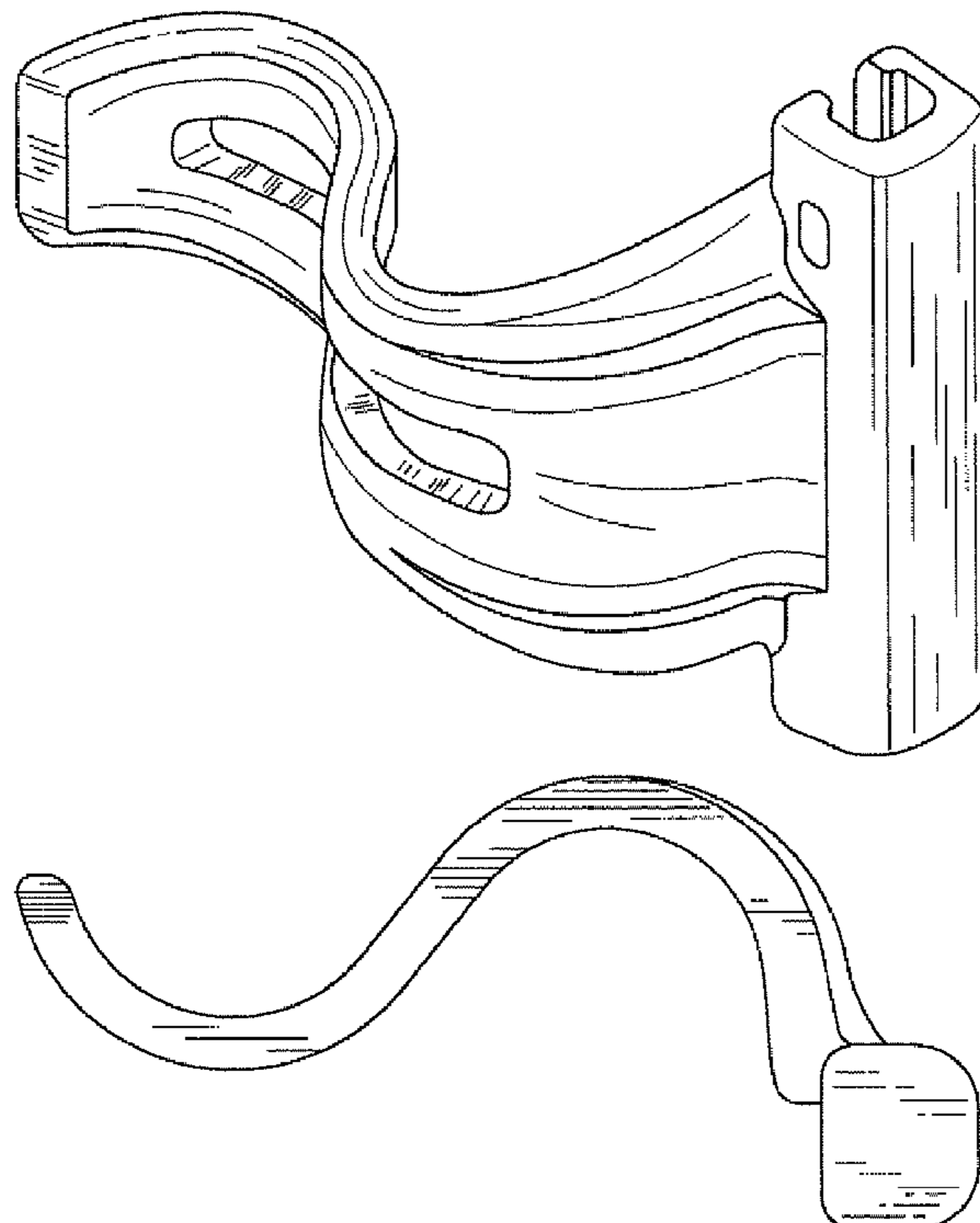


FIG.1

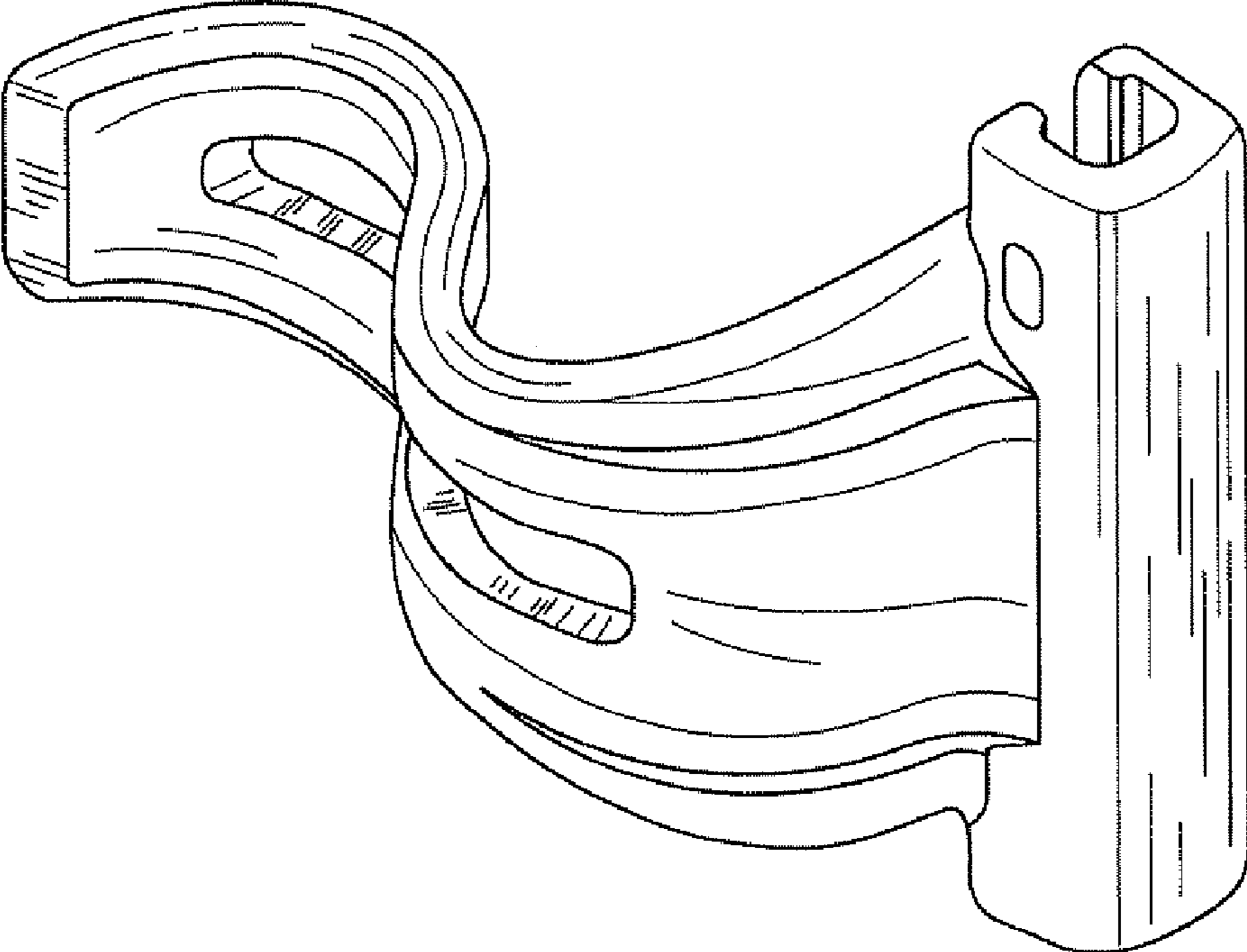


FIG.2

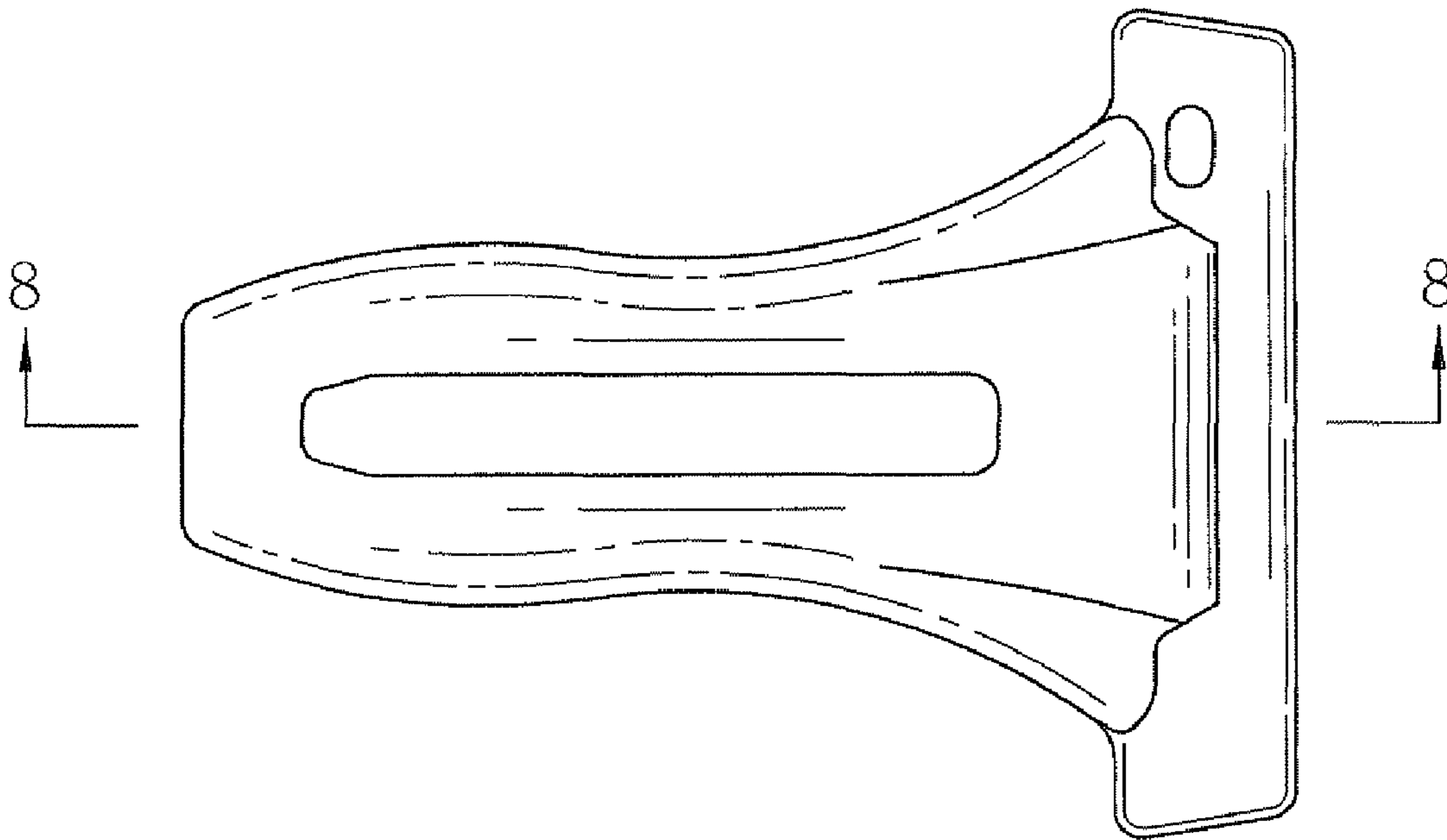


FIG.3

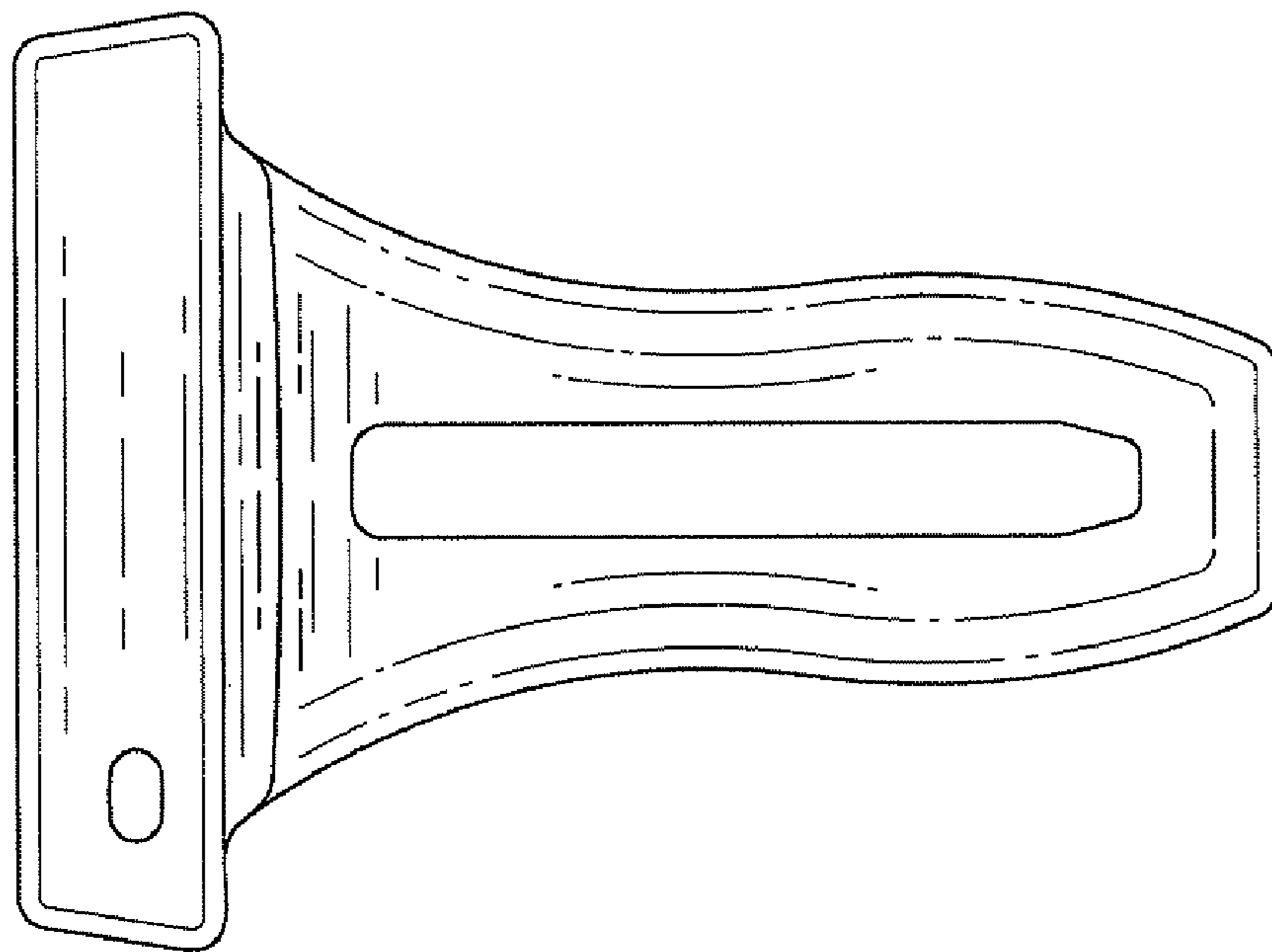


FIG.4

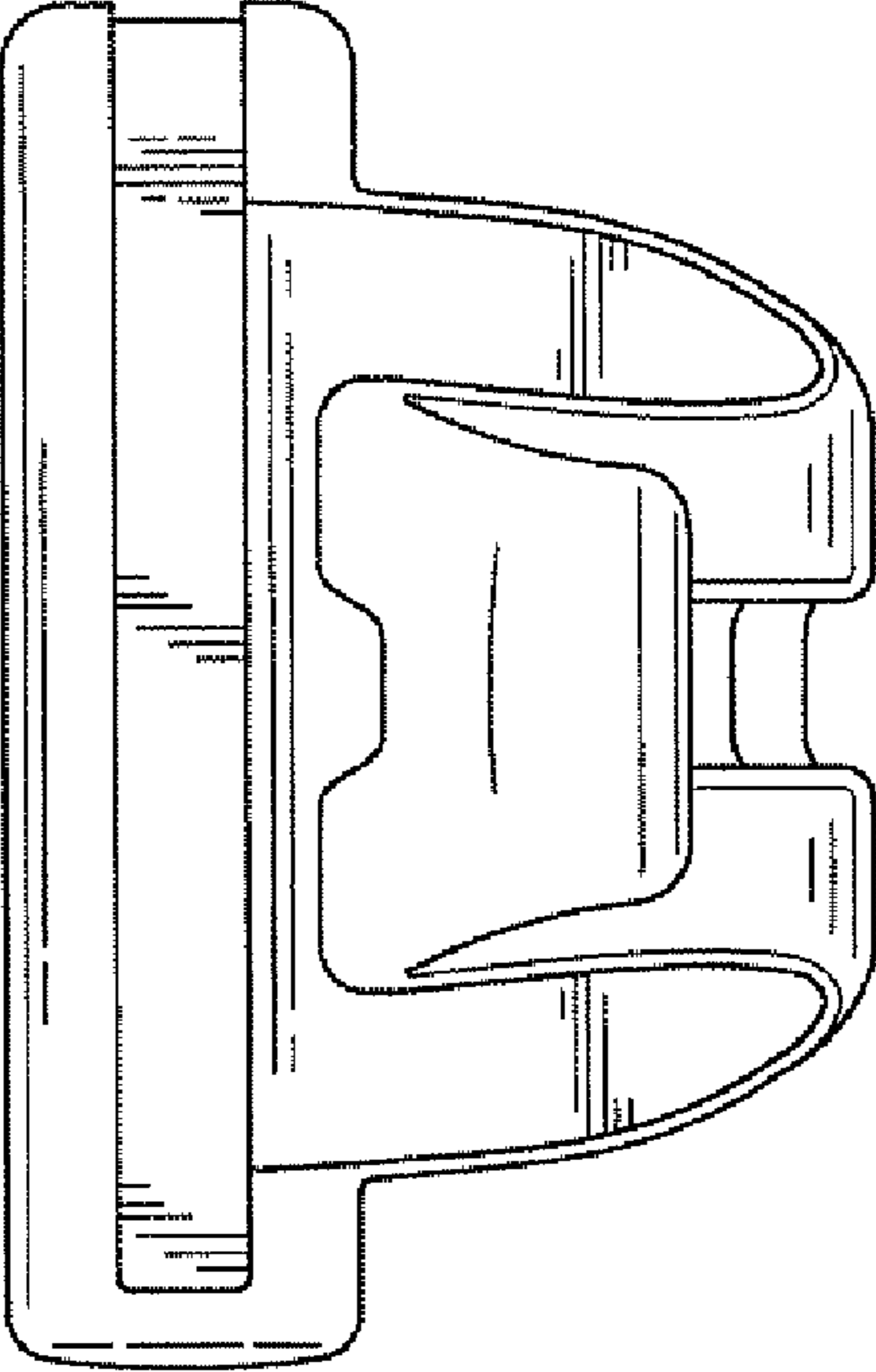


FIG.5

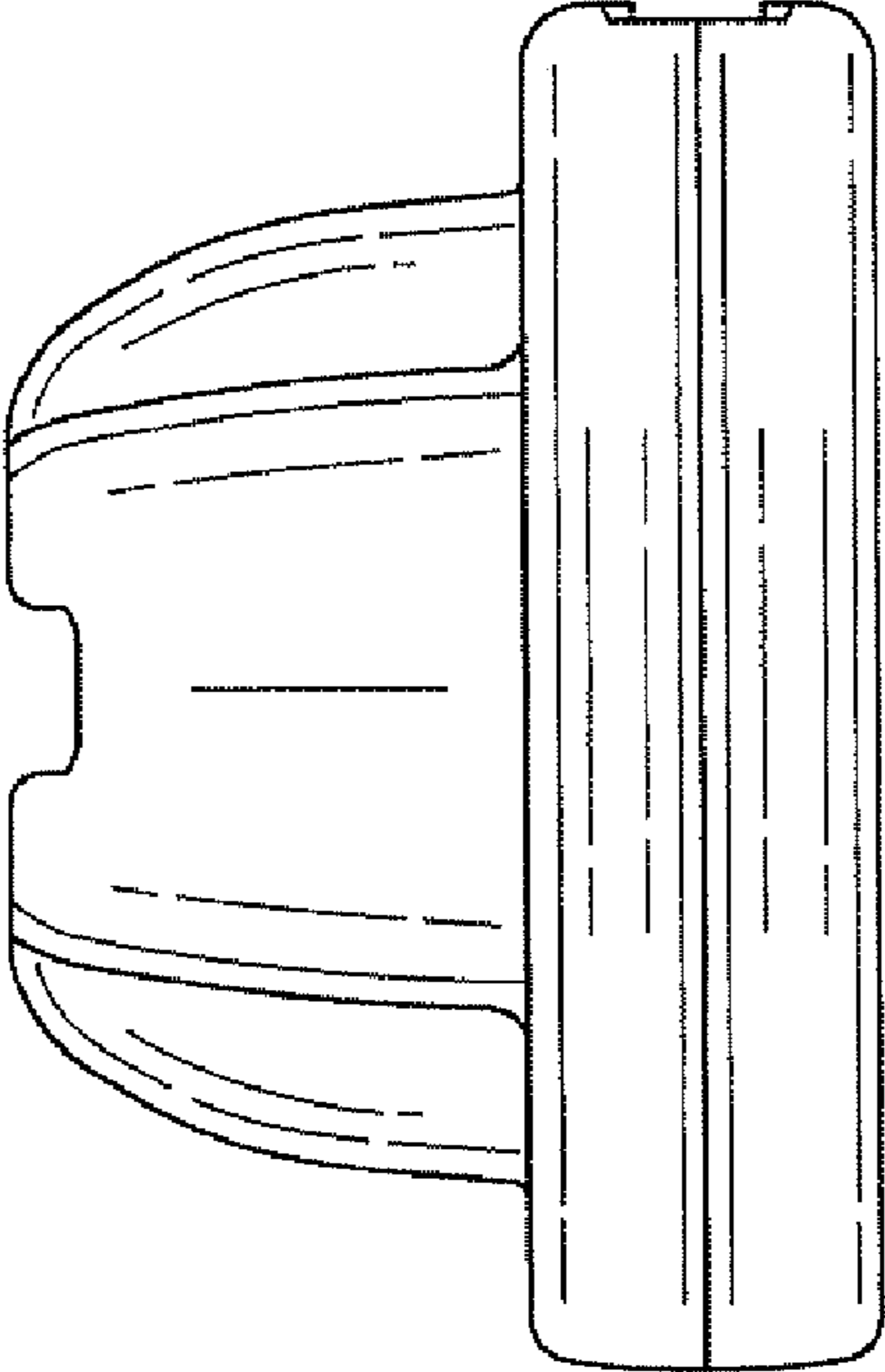


FIG.6

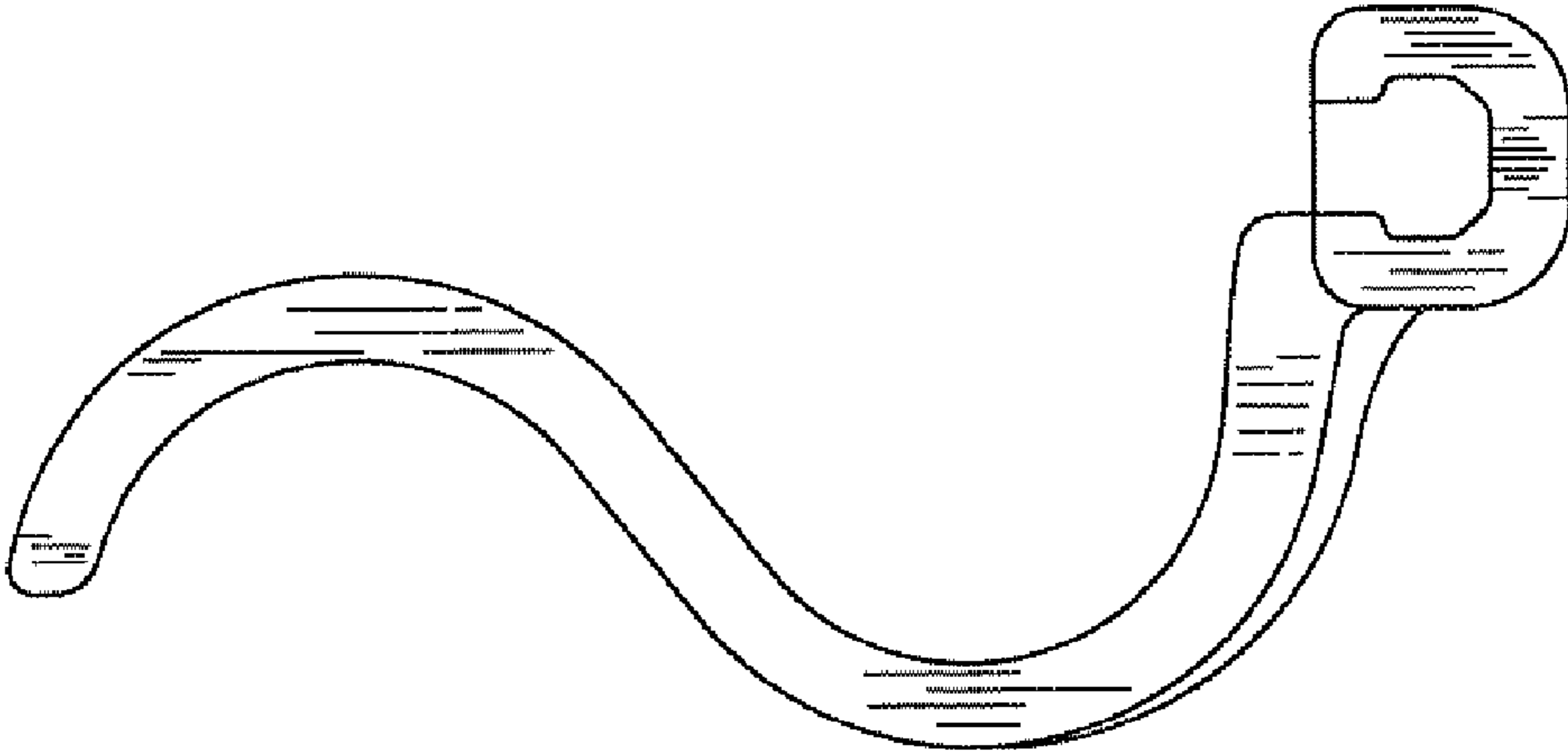


FIG. 7

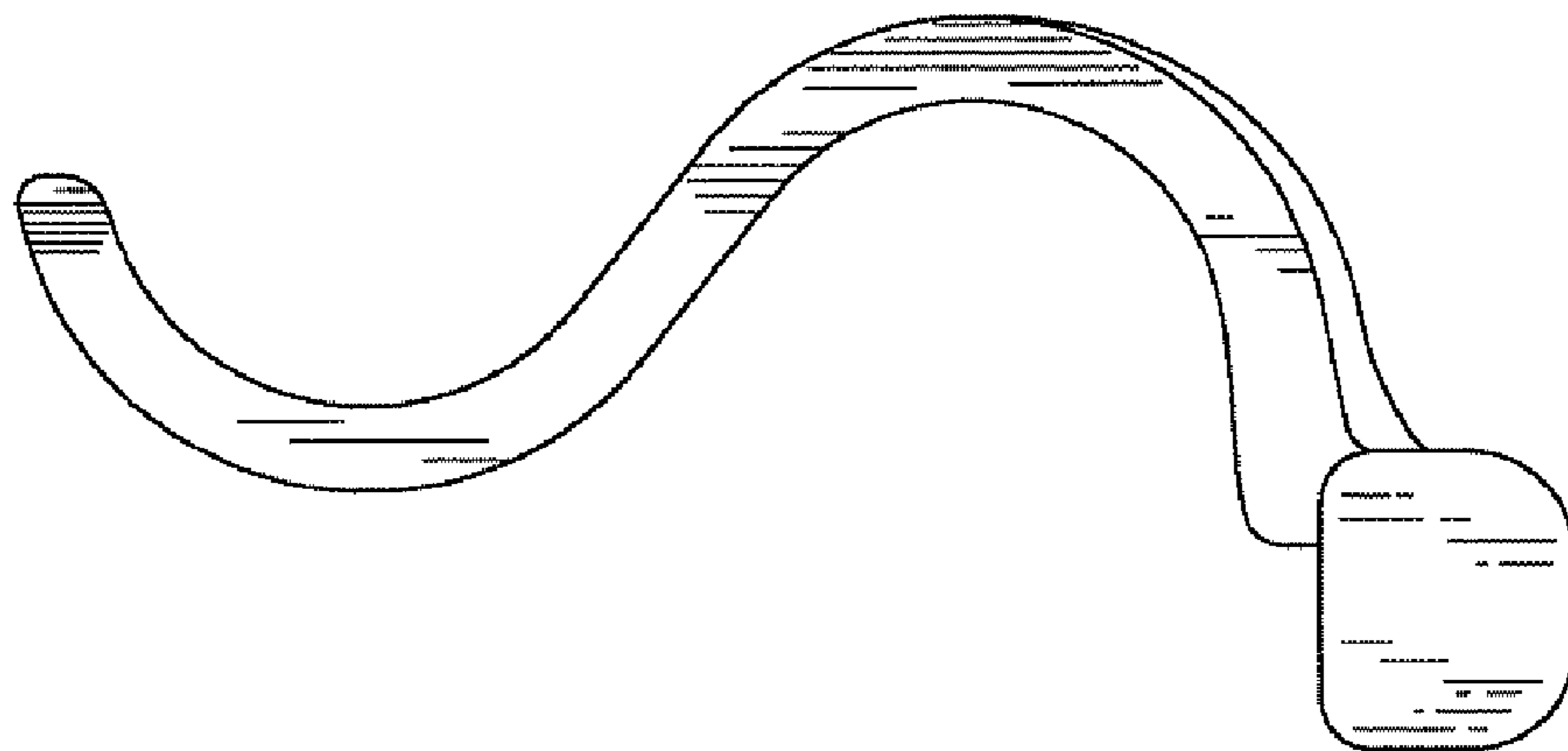


FIG.8

