



US00D637899S

(12) **United States Design Patent**
Tedesco et al.

(10) **Patent No.:** **US D637,899 S**

(45) **Date of Patent:** **** May 17, 2011**

(54) **SEISMIC EXPANSION JOINT CLIP FOR
SUSPENDED CEILINGS**

(75) Inventors: **Lee Matthew Tedesco**, Shorewood, IL
(US); **James Joseph Lehane**, McHenry,
IL (US); **Abraham Monroe**
Underkofler, Waukegan, IL (US); **Peder**
John Gulbrandsen, Aurora, IL (US);
Mark Robert Paulsen, Waukegan, IL
(US)

(73) Assignee: **USG Interiors, Inc.**, Chicago, IL (US)

(**) Term: **14 Years**

(21) Appl. No.: **29/380,152**

(22) Filed: **Dec. 1, 2010**

(51) **LOC (9) Cl.** **08-08**

(52) **U.S. Cl.** **D8/394; D8/380**

(58) **Field of Classification Search** D8/356,
D8/371, 394-396, 380, 354; 24/570; 248/74.2,
248/215, 227.1, 49, 300, 301, 316.7, 51,
248/489; D19/65, 56; 52/484, 489, 506.06,
52/506.07, 733.1

See application file for complete search history.

(56) **References Cited**

U.S. PATENT DOCUMENTS

3,590,544	A *	7/1971	Shepherd	52/506.06
4,570,391	A *	2/1986	Quante et al.	52/39
5,349,800	A *	9/1994	Peng	52/506.06
5,499,883	A *	3/1996	Heinzel	403/219
D371,506	S *	7/1996	Nofziger	D8/354
5,810,303	A *	9/1998	Bourassa et al.	248/205.1
7,614,195	B2 *	11/2009	Platt et al.	52/506.06
D611,332	S *	3/2010	Tedesco et al.	D8/380
7,770,349	B2 *	8/2010	Tedesco et al.	52/506.08
2007/0180787	A1 *	8/2007	Fecska	52/506.06
2008/0060306	A1 *	3/2008	Platt et al.	52/506.06
2010/0005747	A1 *	1/2010	Tedesco et al.	52/506.08

* cited by examiner

Primary Examiner — T. Chase Nelson

Assistant Examiner — John Windmuller

(74) *Attorney, Agent, or Firm* — Pradip K. Sahu; David F. Janci; Philip T. Petti

(57) **CLAIM**

The ornamental design for a seismic expansion joint clip for suspended ceilings, as shown and described.

DESCRIPTION

FIG. 1 is a top perspective view of the present seismic expansion joint clip for suspended ceilings;
FIG. 2 is a top view of same;
FIG. 3 is a side view of same; and,
FIG. 4 is a bottom view of same.

1 Claim, 2 Drawing Sheets

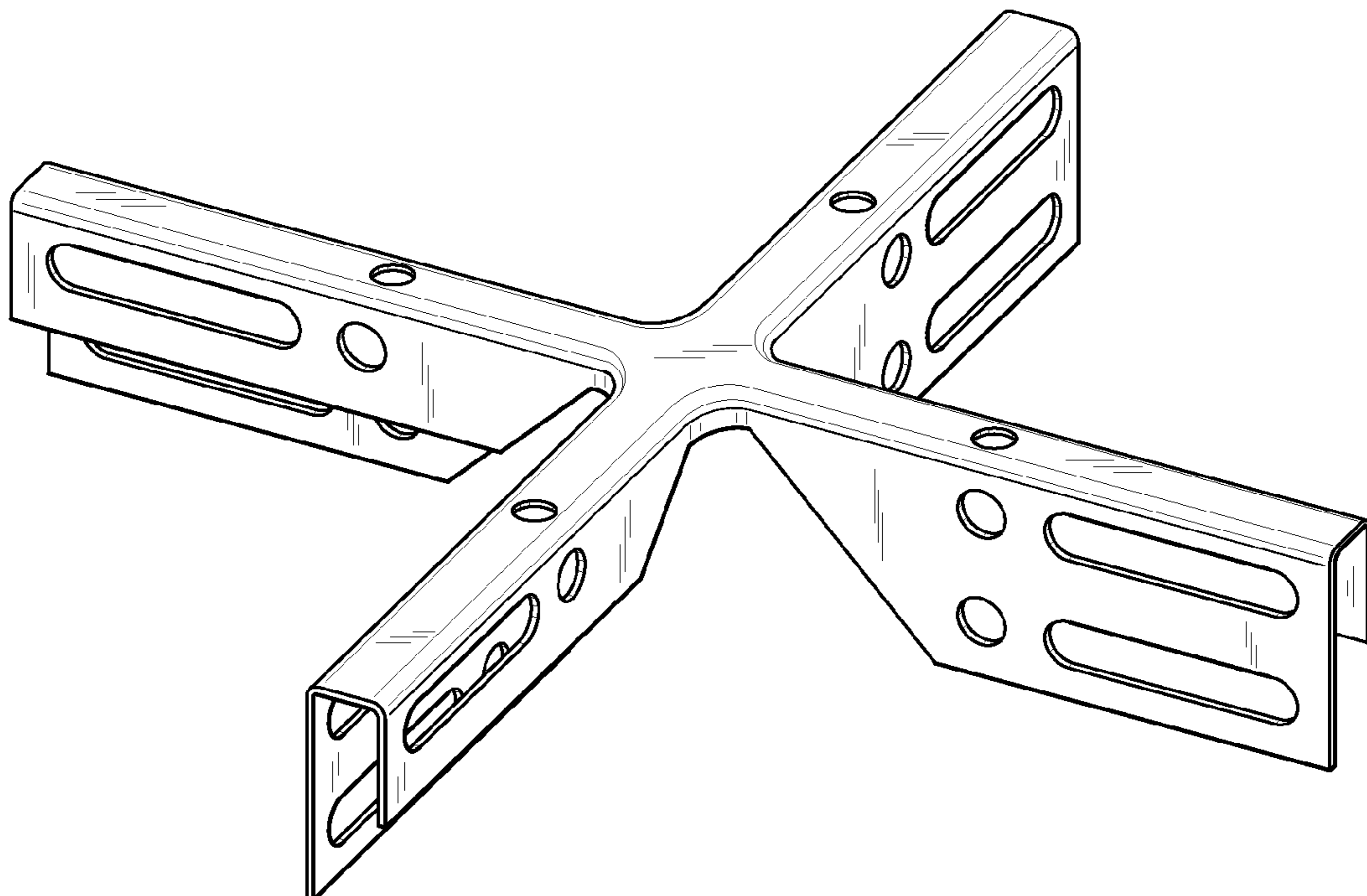


FIG. 1

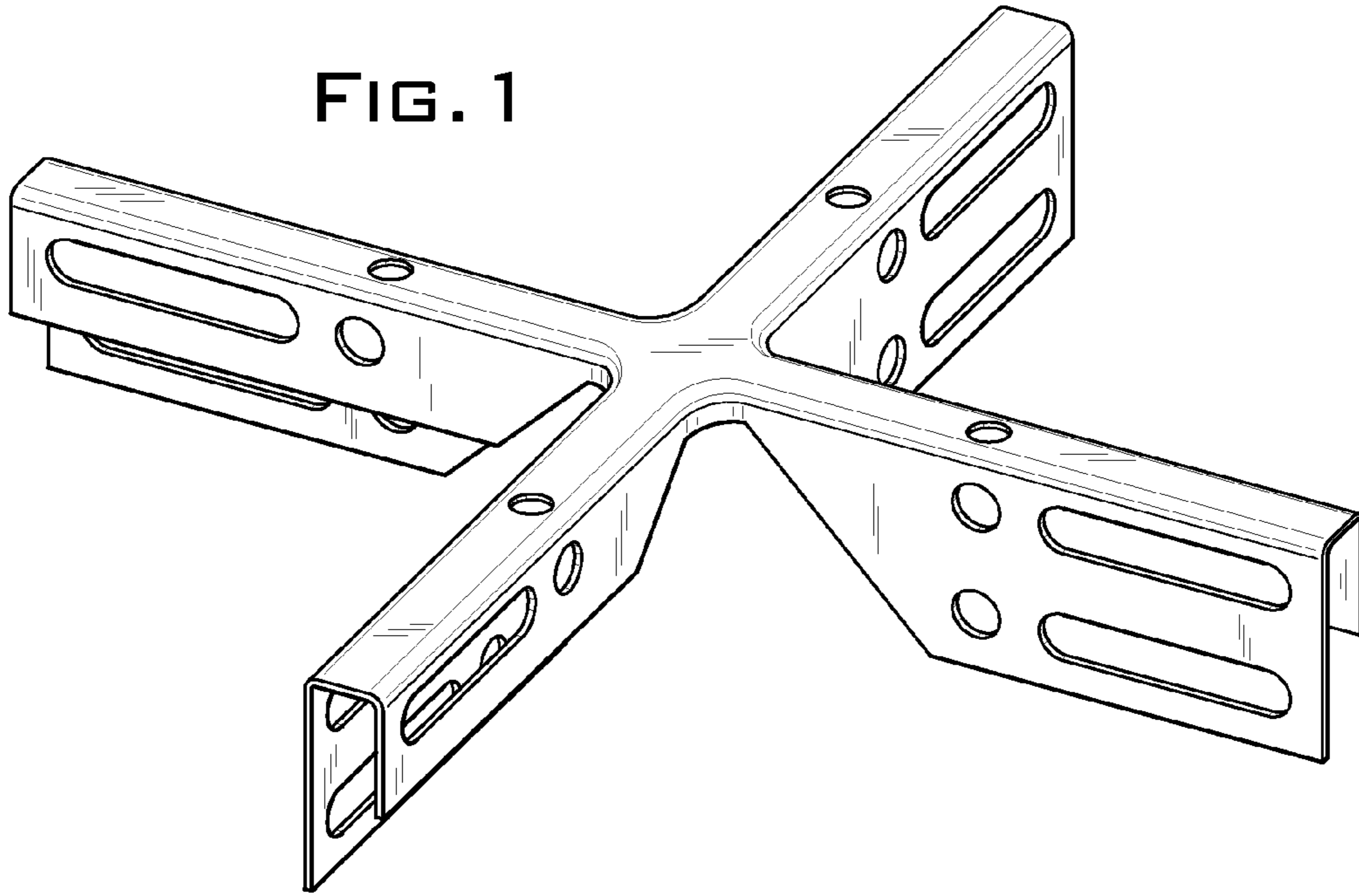
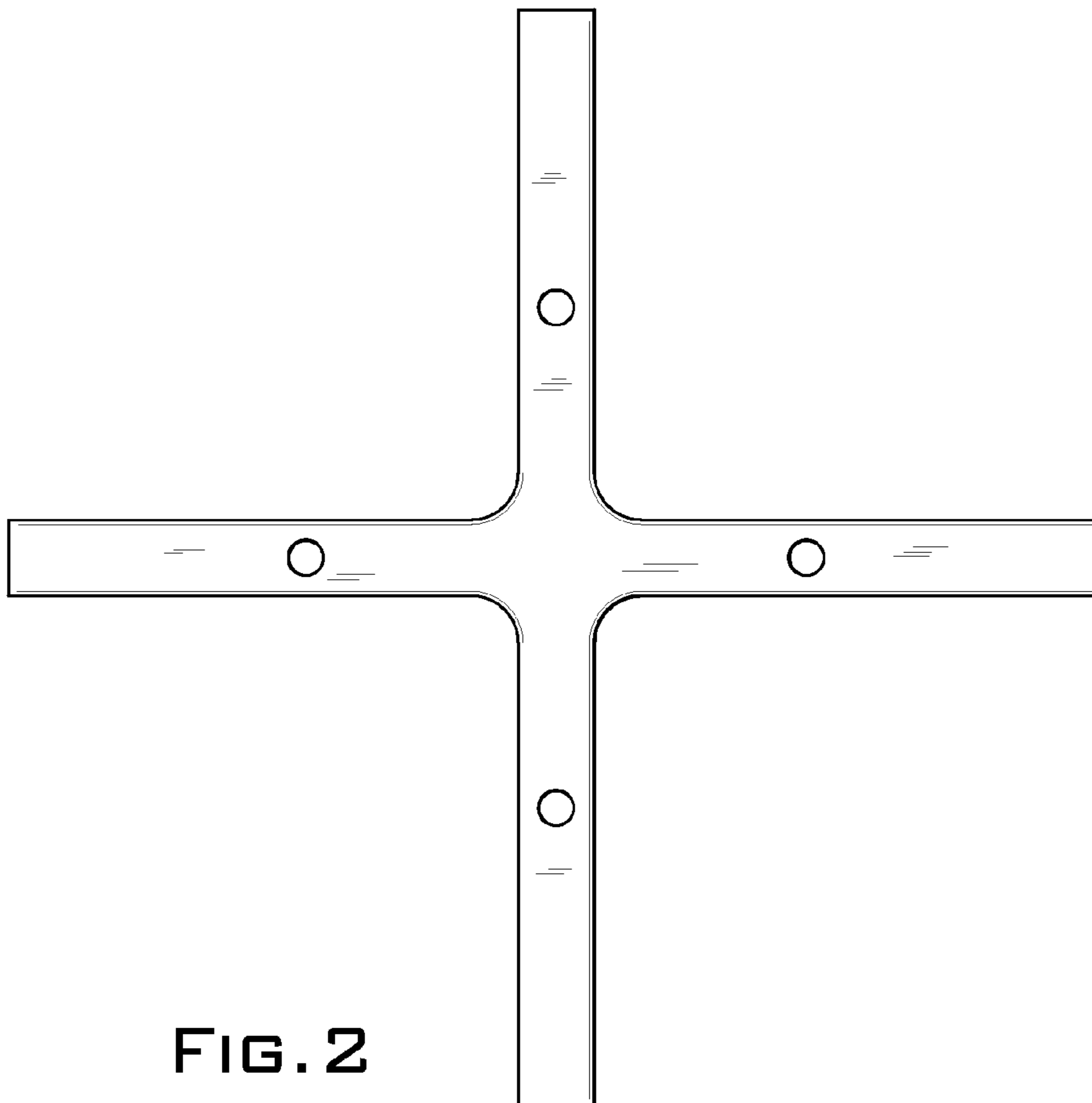


FIG. 2



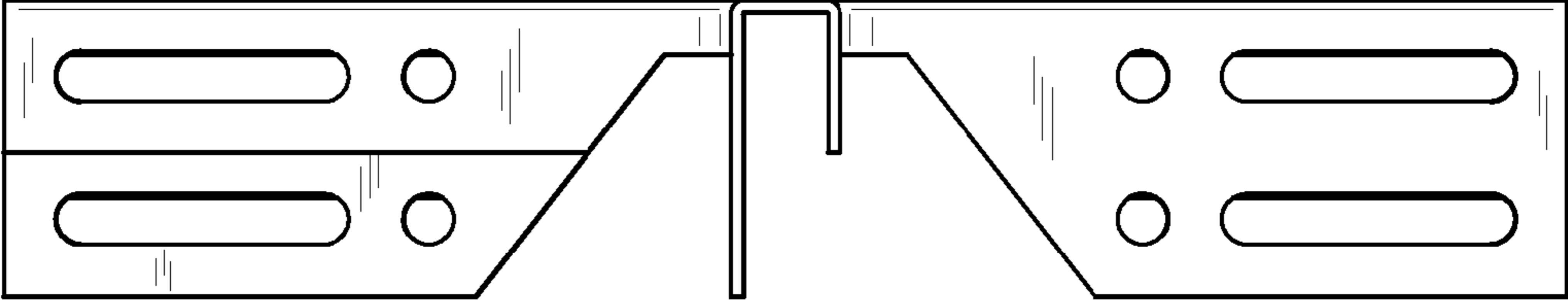


FIG. 3

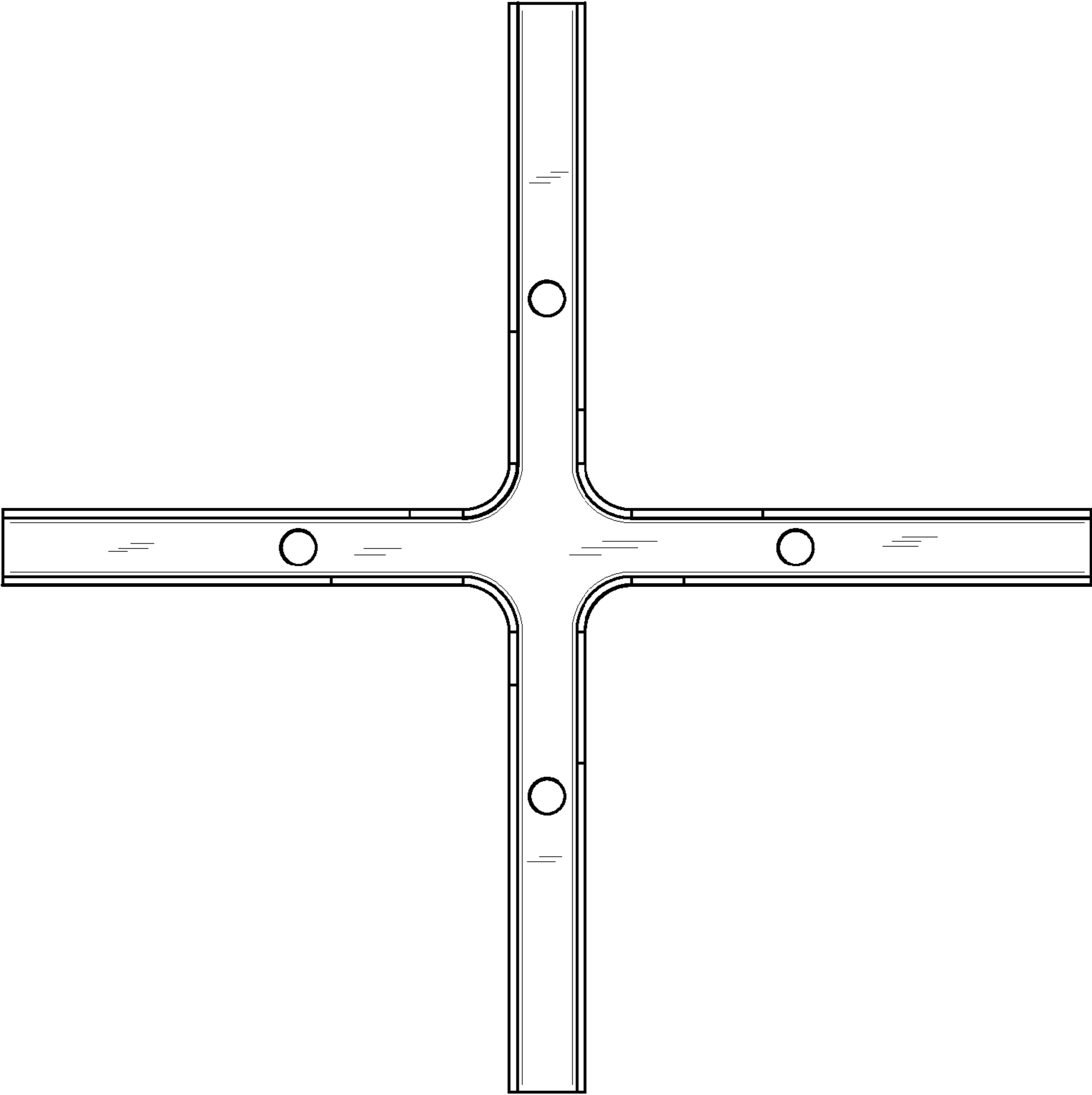


FIG. 4