



US00D637897S

(12) **United States Design Patent**
Tedesco et al.

(10) **Patent No.:** **US D637,897 S**

(45) **Date of Patent:** **** May 17, 2011**

(54) **MOUNTING BRACKET USEFUL FOR
CEILING GRID SYSTEMS**

(75) Inventors: **Lee Matthew Tedesco**, Shorewood, IL
(US); **James Joseph Lehane, Jr.**,
McHenry, IL (US); **Abraham Monroe**
Underkofler, Waukegan, IL (US); **Mark**
Robert Paulsen, Waukegan, IL (US)

(73) Assignee: **USG Industries, Inc.**, Chicago, IL (US)

(**) Term: **14 Years**

(21) Appl. No.: **29/352,481**

(22) Filed: **Dec. 22, 2009**

(51) **LOC (9) Cl.** **08-08**

(52) **U.S. Cl.** **D8/394; D8/380**

(58) **Field of Classification Search** D8/394,
D8/395, 356, 380, 382, 371, 366, 354; D19/65,
D19/56; 24/22, 67 R, 20 S, 115 R, 546, 563,
24/910, 343, 673; 248/74.2, 215, 227.1,
248/49, 300, 301, 316.7, 51, 489; 211/162;
52/512, 506.05–506.09

See application file for complete search history.

(56) **References Cited**

U.S. PATENT DOCUMENTS

D371,506 S * 7/1996 Nofziger D8/354
5,810,303 A * 9/1998 Bourassa et al. 248/205.1
D419,430 S * 1/2000 Williams D8/382

D431,770 S * 10/2000 Willet D8/354
6,125,594 A * 10/2000 Hudson 52/92.2
D434,304 S * 11/2000 Willett D8/354
6,315,489 B1 * 11/2001 Watanabe 403/381
6,957,517 B2 * 10/2005 Auriemma 52/506.07
D520,344 S * 5/2006 Vejmarker D8/354
D523,920 S * 6/2006 Cresswell D21/804
D534,904 S * 1/2007 Crawford D14/238
D612,224 S * 3/2010 Wendt D8/354
D626,406 S * 11/2010 Tedesco et al. D8/394

* cited by examiner

Primary Examiner — T. Chase Nelson

Assistant Examiner — John Windmuller

(74) *Attorney, Agent, or Firm* — Pradip K. Sahu; David F.
Janci; Philip T. Petti

(57) **CLAIM**

The ornamental design for a mounting bracket useful for
ceiling grid systems, as shown and described.

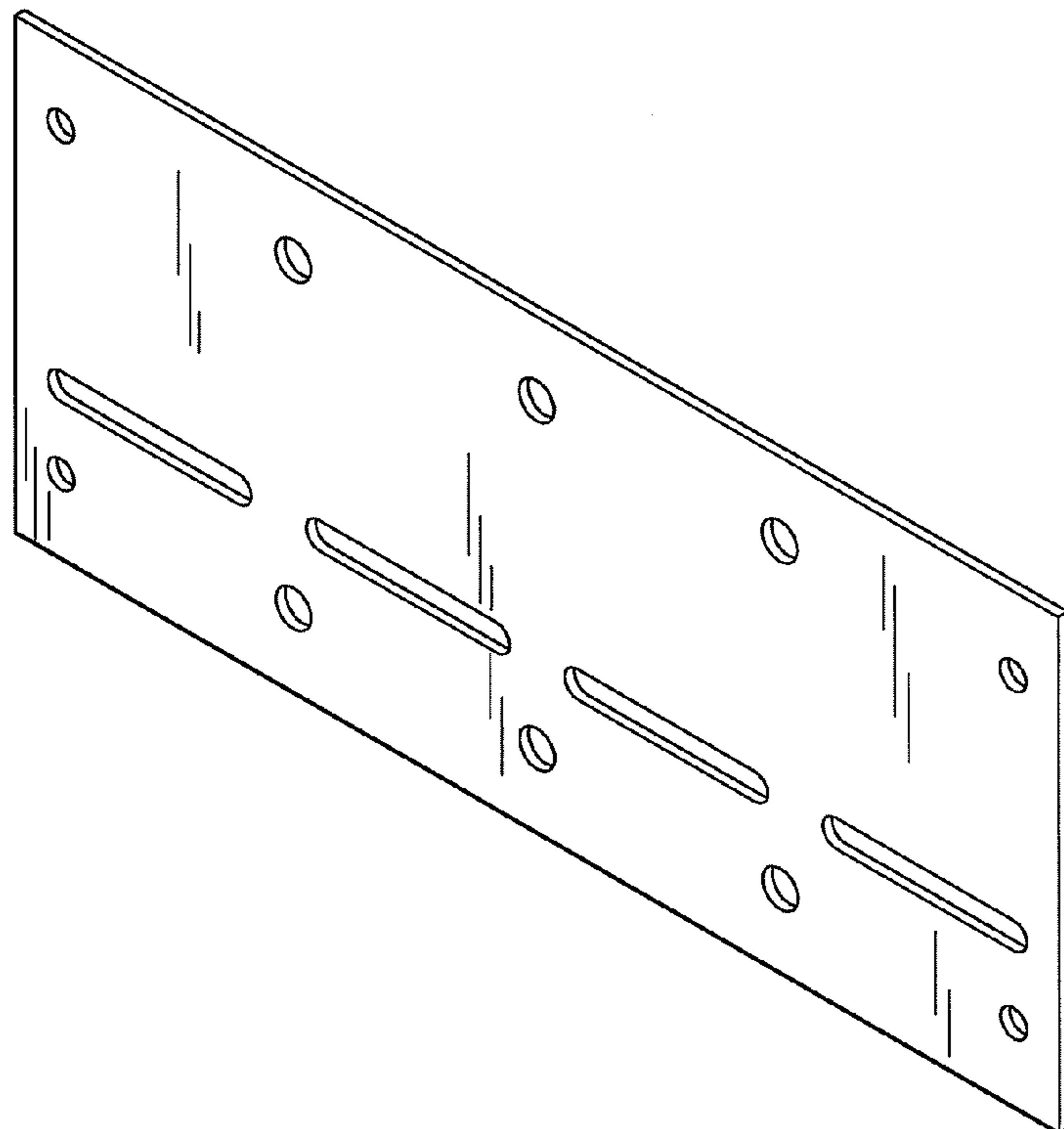
DESCRIPTION

FIG. 1 is a perspective view of the present mounting bracket;
FIG. 2 is a front view of same;
FIG. 3 is a top view of same; and,
FIG. 4 is a left view of same.

A back view is omitted because it is a mirror image of FIG. 2;
A bottom view is omitted because it is a mirror image of FIG.
3; and

A right view is omitted because it is a mirror image of FIG. 4.

1 Claim, 1 Drawing Sheet



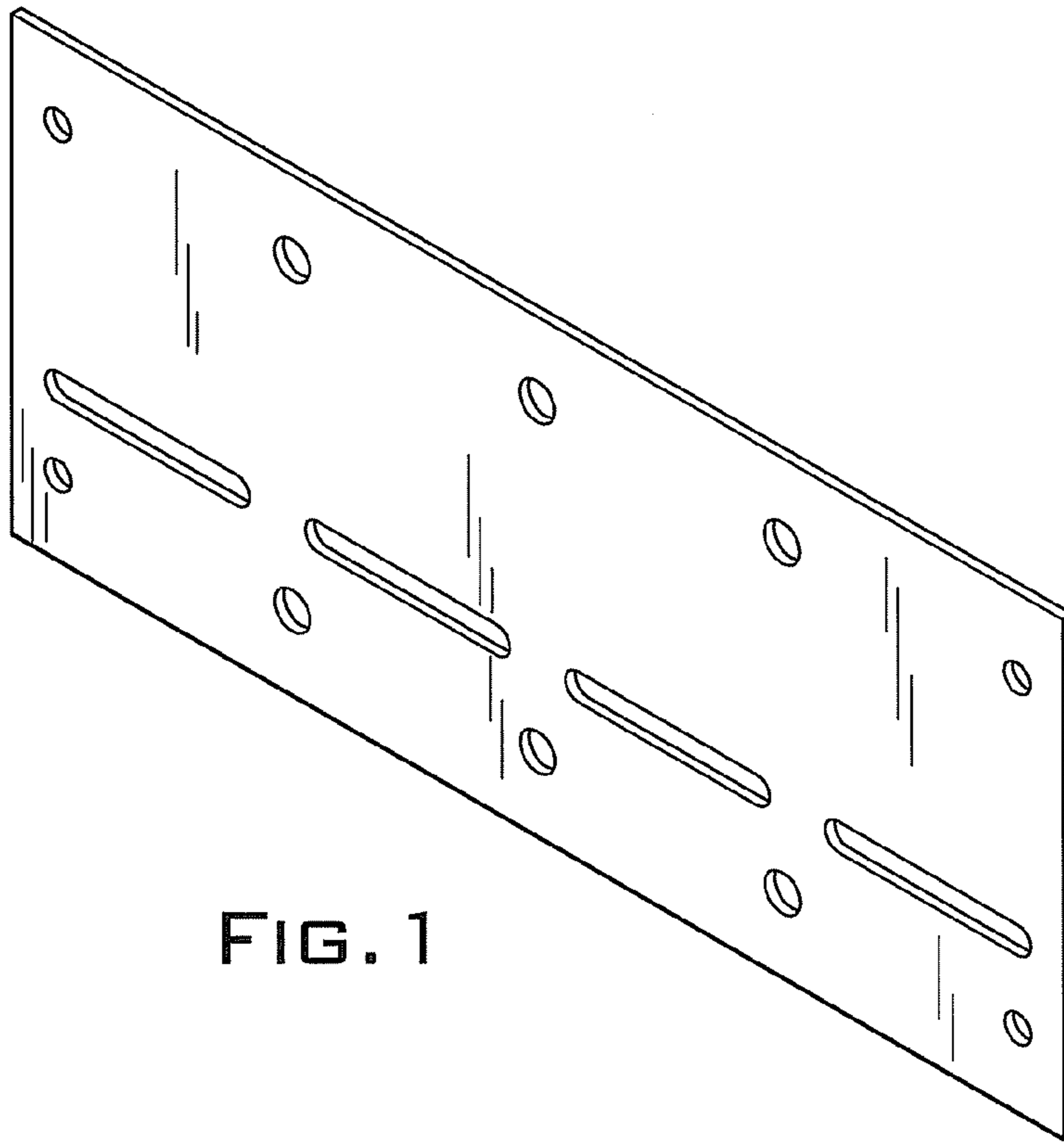


FIG. 1



FIG. 3

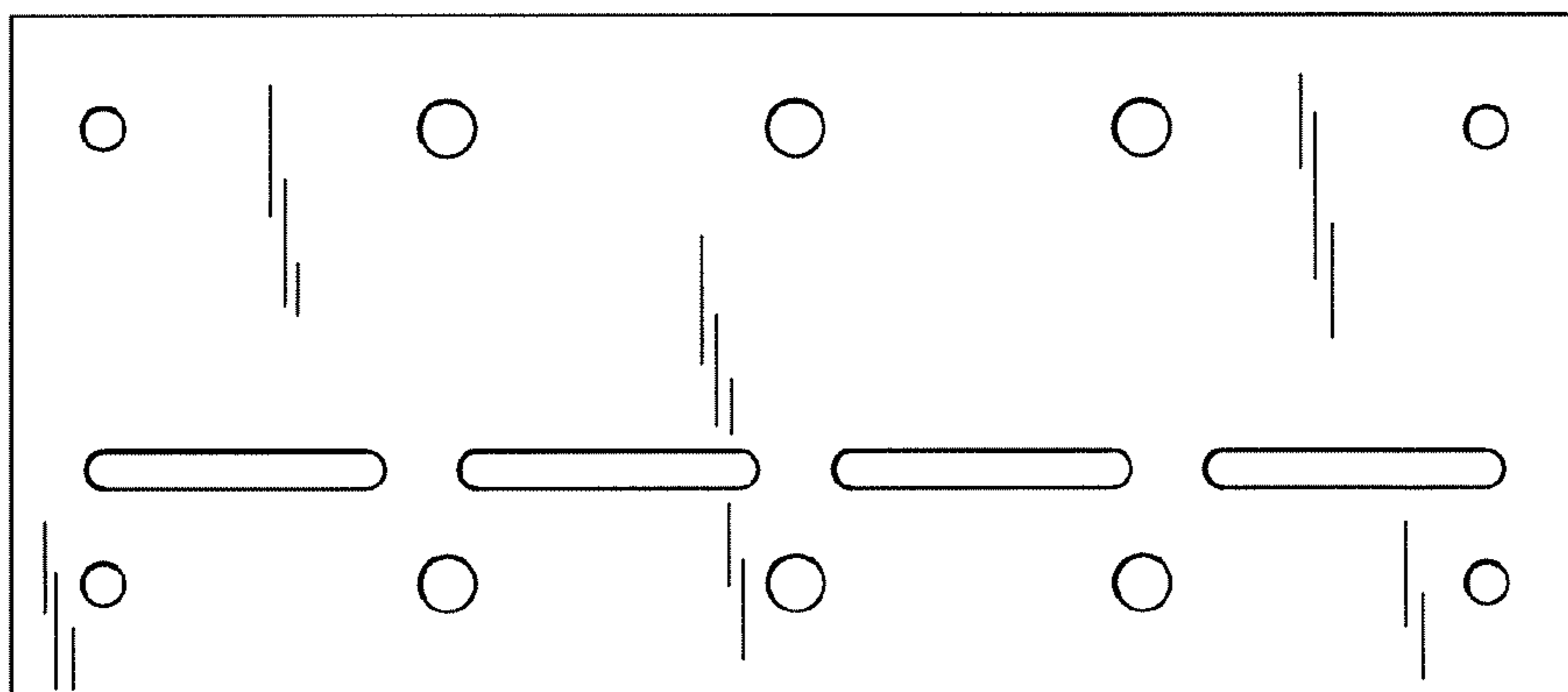


FIG. 2



FIG. 4