



US00D637895S

(12) **United States Design Patent**
Quinlan

(10) **Patent No.:** **US D637,895 S**
(45) **Date of Patent:** **** May 17, 2011**

(54) **CONNECTING CONE**

FOREIGN PATENT DOCUMENTS

(75) Inventor: **David Quinlan**, Plantsville, CT (US)

DE 92 07 436 9/1992

* cited by examiner

(73) Assignee: **Unger Marketing International, LLC**,
Bridgeport, CT (US)

Primary Examiner — Holly H Baynham

Assistant Examiner — Sheryl Lane

(**) Term: **14 Years**

(74) *Attorney, Agent, or Firm* — Ohlandt, Greeley,
Ruggiero & Perle, L.L.P.

(21) Appl. No.: **29/359,393**

(57) **CLAIM**

The ornamental design for a connecting cone, as shown and described.

(22) Filed: **Apr. 9, 2010**

(51) **LOC (9) Cl.** **08-08**

DESCRIPTION

(52) **U.S. Cl.** **D8/382**

(58) **Field of Classification Search** D8/382,
D8/349; 248/200, 300; 403/109.2, 109.6,
403/18, 324

See application file for complete search history.

(56) **References Cited**

U.S. PATENT DOCUMENTS

1,006,427	A	10/1911	Borkas	60/624
2,184,881	A	12/1939	Martinet	285/170
2,546,387	A	3/1951	Coffing	279/79
2,660,457	A	11/1953	Mallon	16/429
2,665,148	A	1/1954	Humphrey et al.	285/7
2,755,106	A	7/1956	Brennan et al.	285/7
2,832,612	A	4/1958	Coutts	285/7
2,923,960	A	2/1960	Davidson	15/410
3,722,927	A	3/1973	Miska	285/317
3,990,727	A	11/1976	Gallagher	285/26
4,247,216	A	1/1981	Pansini	403/109.3
4,477,096	A	10/1984	Wallace et al.	279/97
D486,060	S *	2/2004	Lanz	D8/382
D489,967	S *	5/2004	Funk	D8/382
D546,665	S *	7/2007	Medlin	D8/382
7,413,366	B2	8/2008	Bensussan	403/109.2
2005/0123344	A1 *	6/2005	Bensussan	403/109.2

FIG. 1 is a bottom perspective view of a connecting cone according to the present disclosure;

FIG. 2 is a top perspective view of the connecting cone of FIG. 1;

FIG. 3 is a first side view of the connecting cone of FIG. 1;

FIG. 4 is a second side view of the connecting cone of FIG. 3, rotated ninety degrees with respect to the view of FIG. 3;

FIG. 5 is a third side view of the connecting cone of FIG. 3, rotated one hundred eighty degrees with respect to the view of FIG. 3;

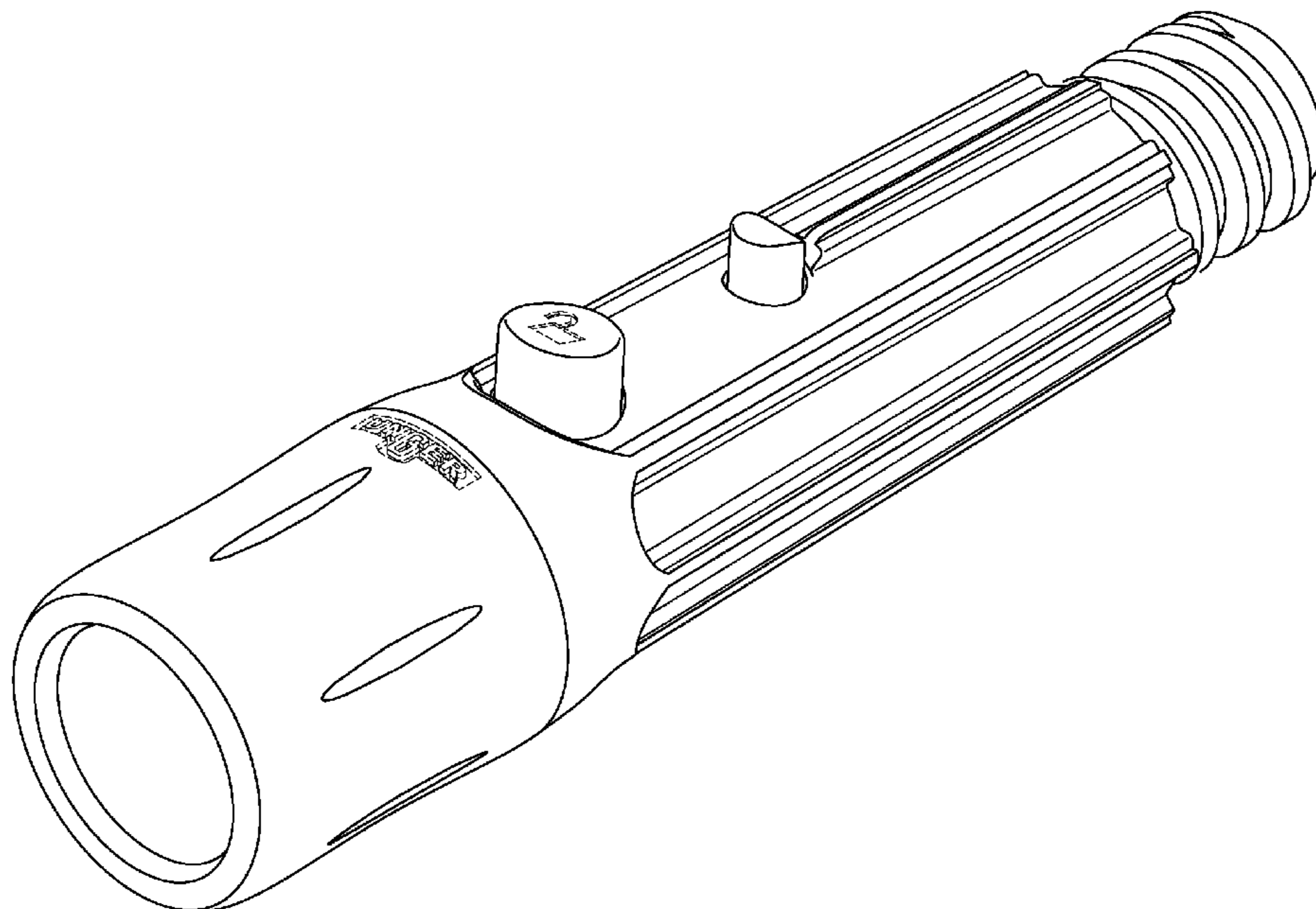
FIG. 6 is a fourth side view of the connecting cone of FIG. 3, rotated two hundred seventy degrees with respect to the view of FIG. 3;

FIG. 7 is a top view of the connecting cone of FIG. 1;

FIG. 8 is a bottom view of the connecting cone of FIG. 1; and, FIG. 9 is a bottom perspective view of the connecting cone of FIG. 1, illustrating a pole or handle in phantom.

The broken lines in FIGS. 1-9 on the surface of the connecting cone are for the purpose of illustrating boundaries. The broken lines in FIG. 9 of the object extending from the connecting cone are for the purpose of illustrating environmental structure. All broken lines form no part of the claimed design.

1 Claim, 6 Drawing Sheets



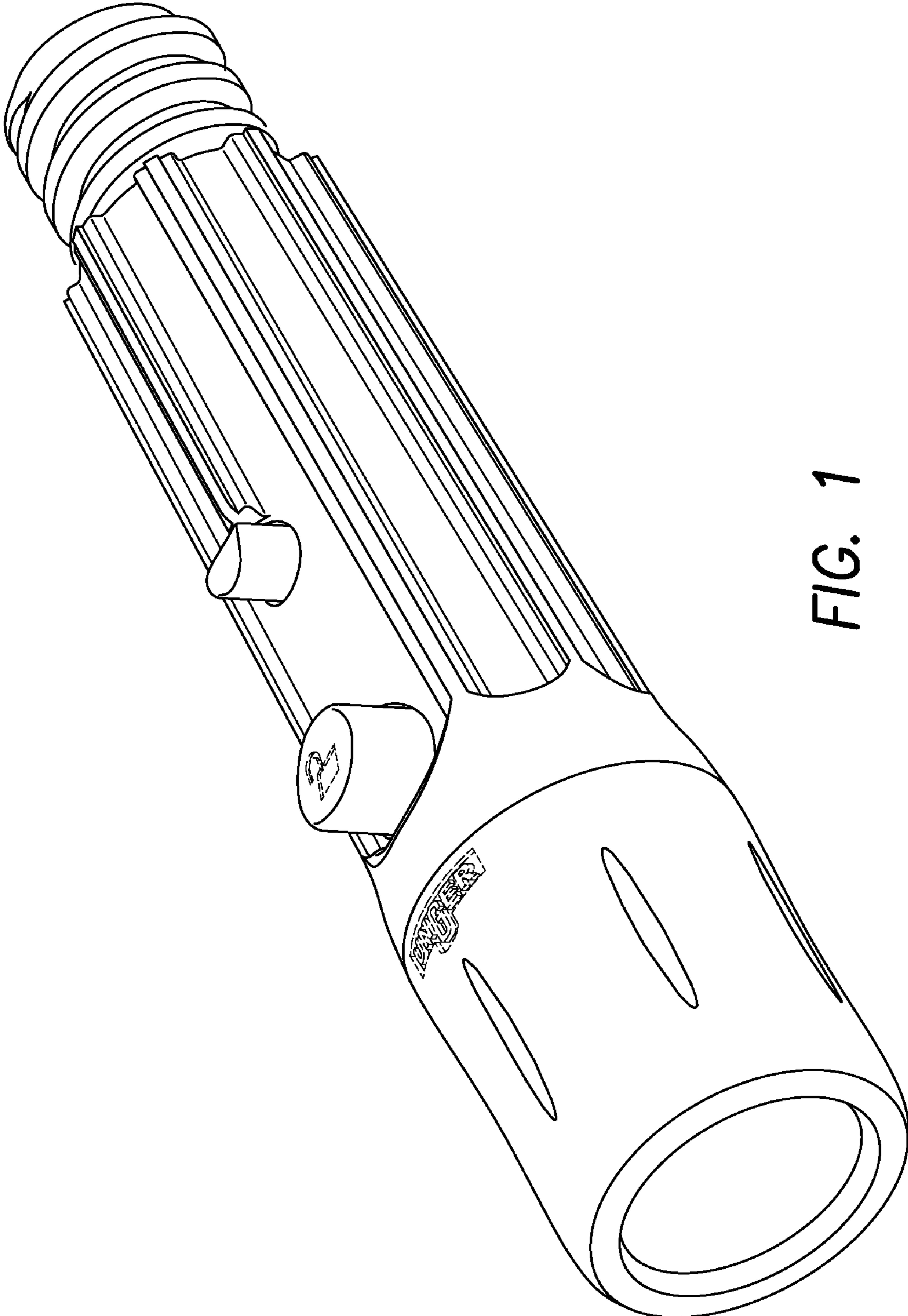


FIG. 1

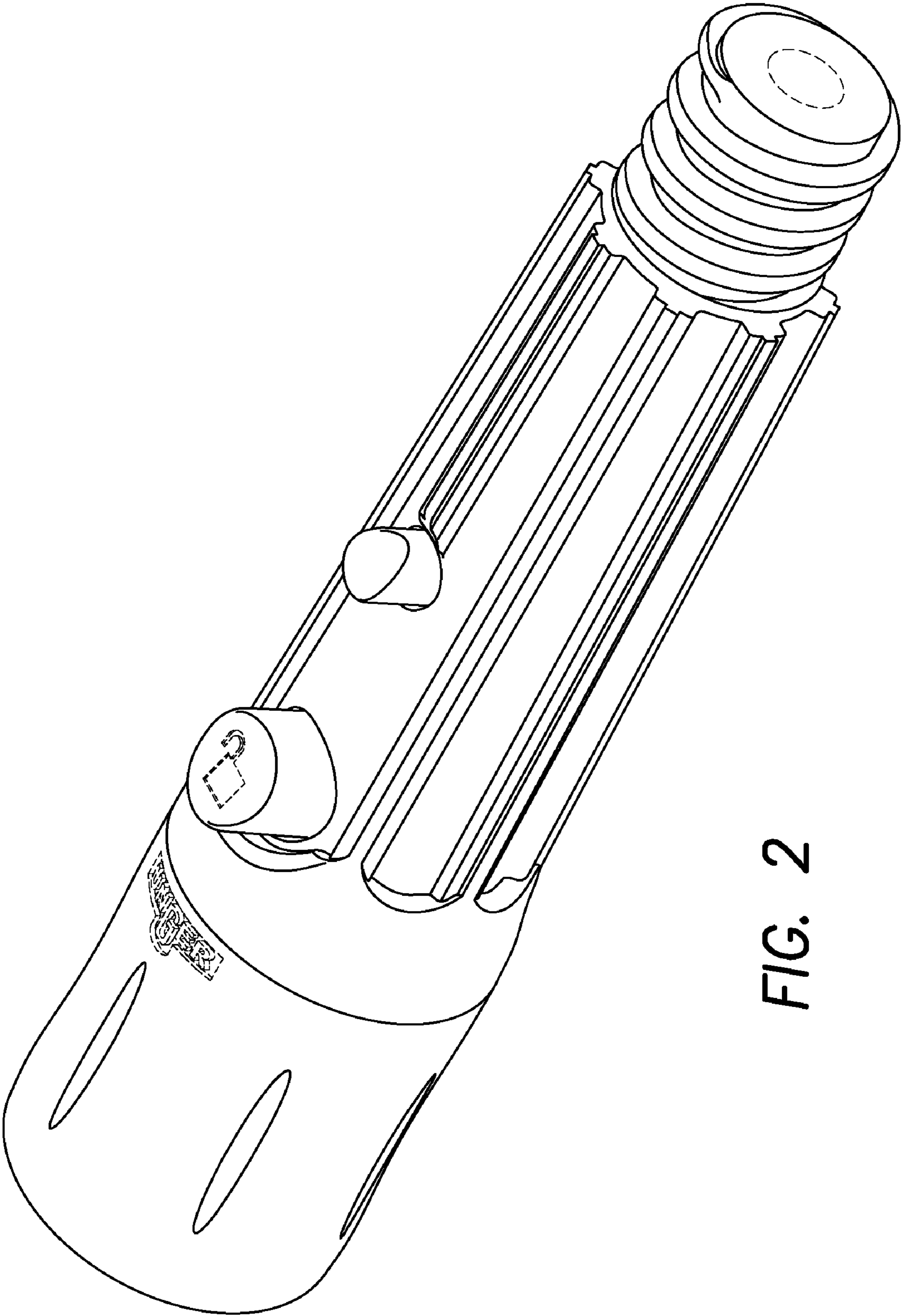


FIG. 2

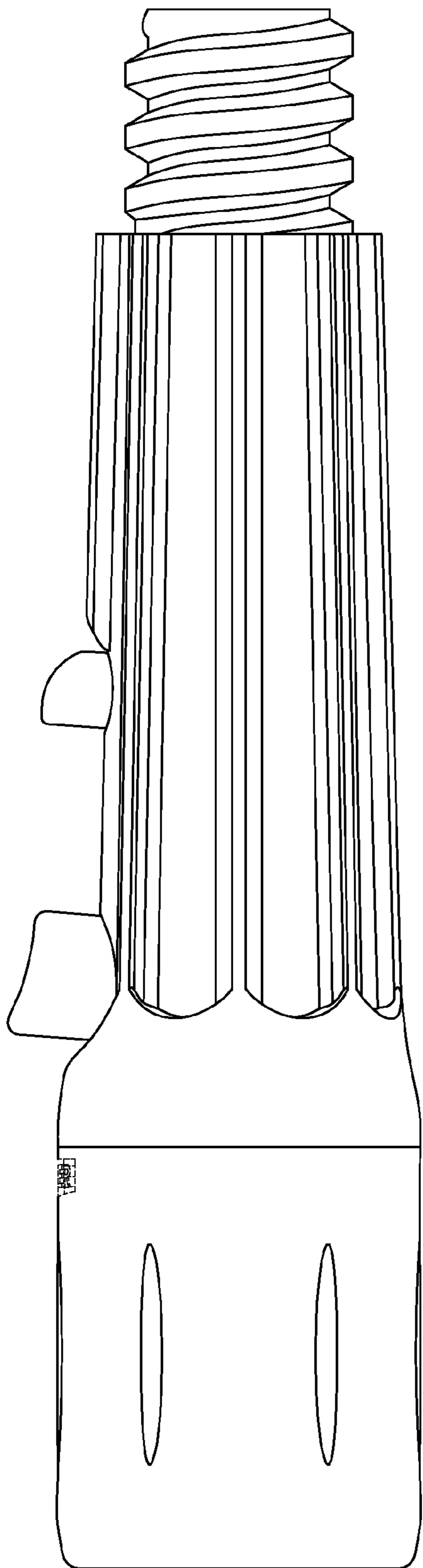


FIG. 3

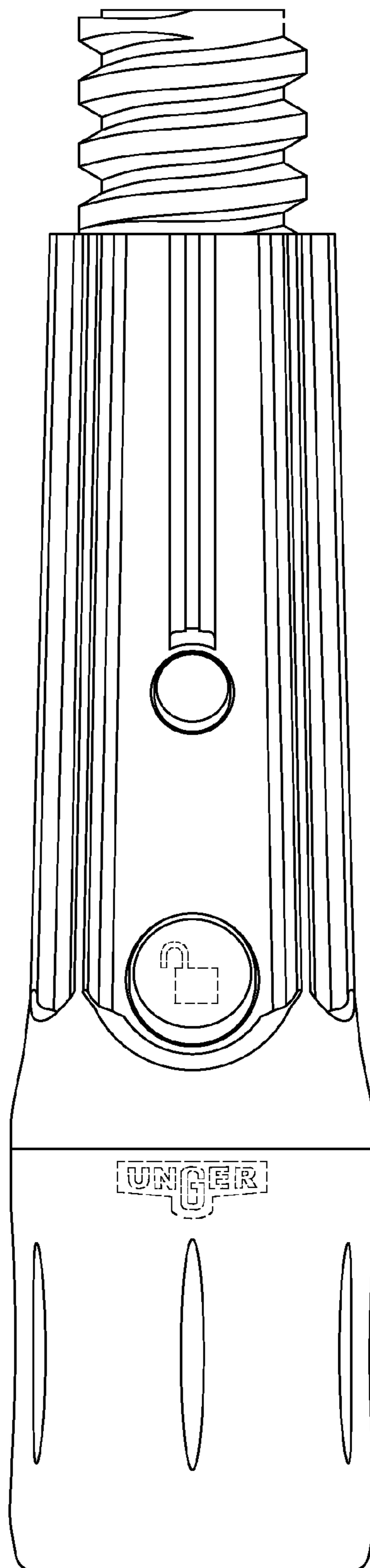


FIG. 4

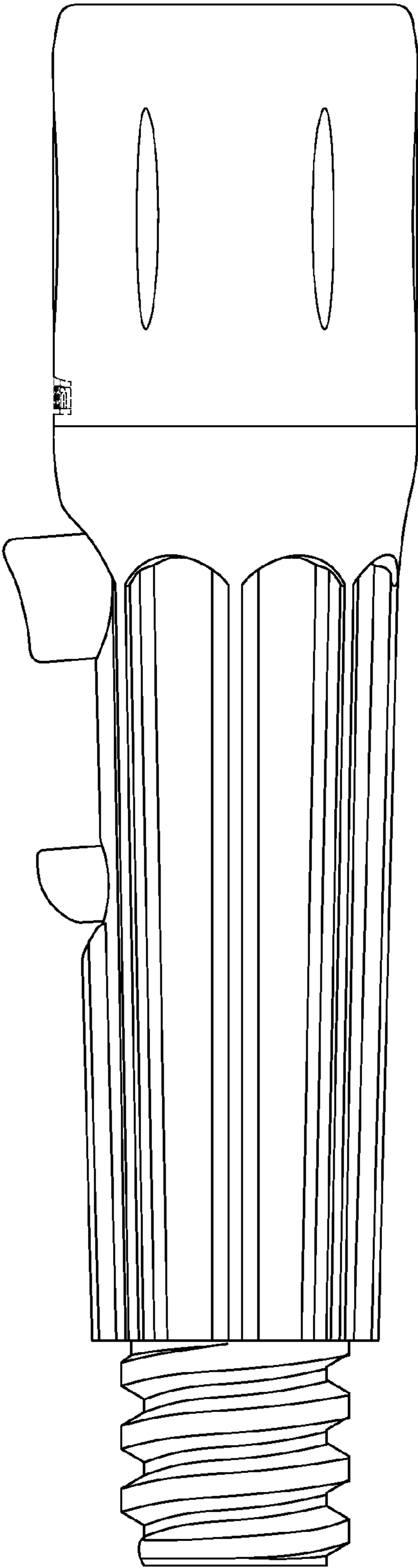


FIG. 5

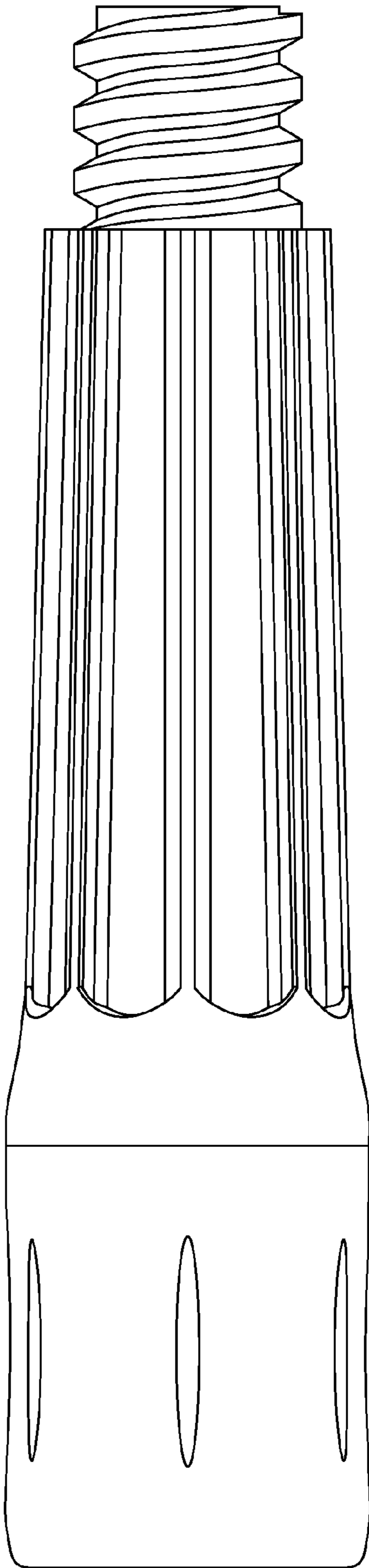


FIG. 6

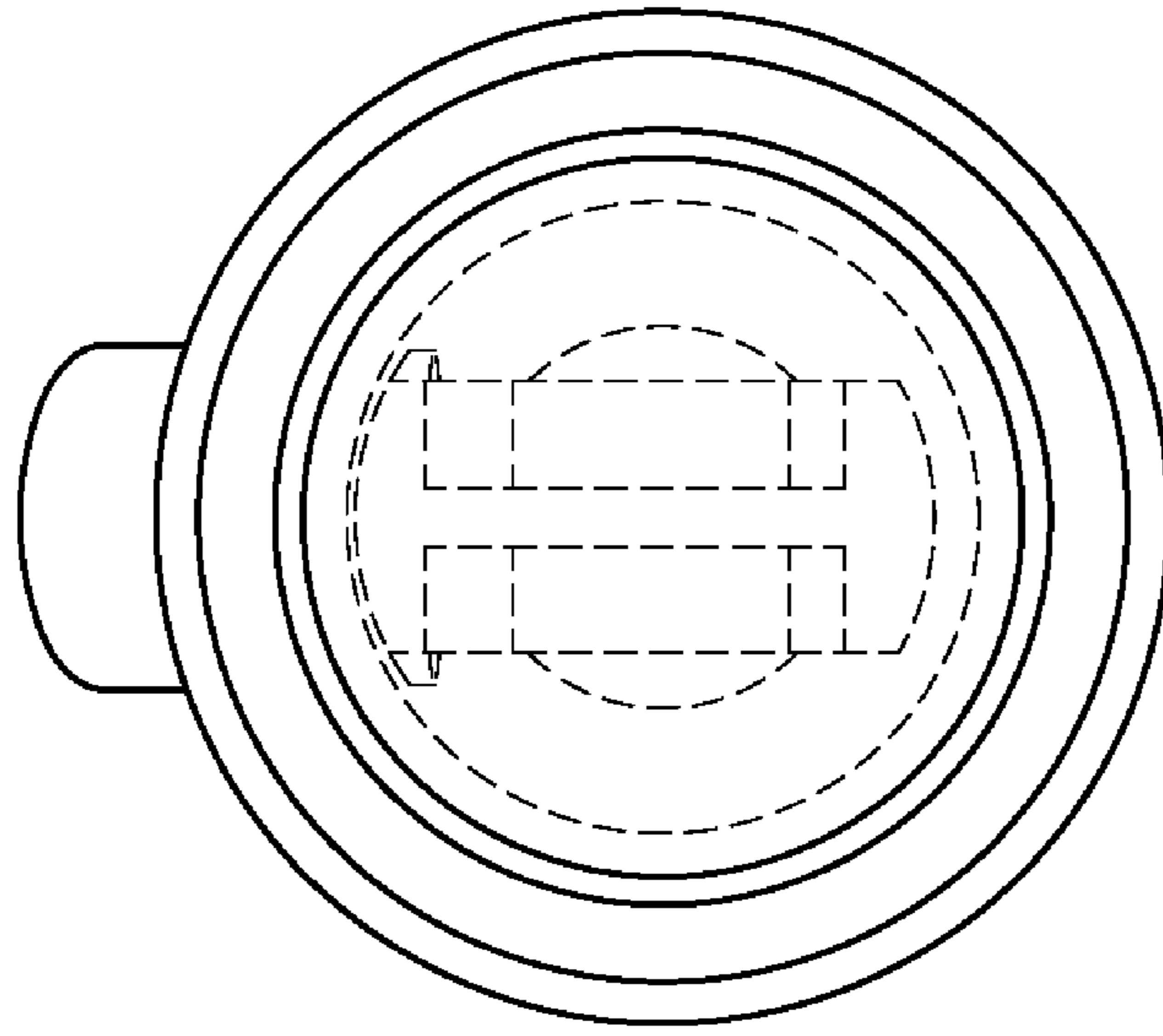


FIG. 8

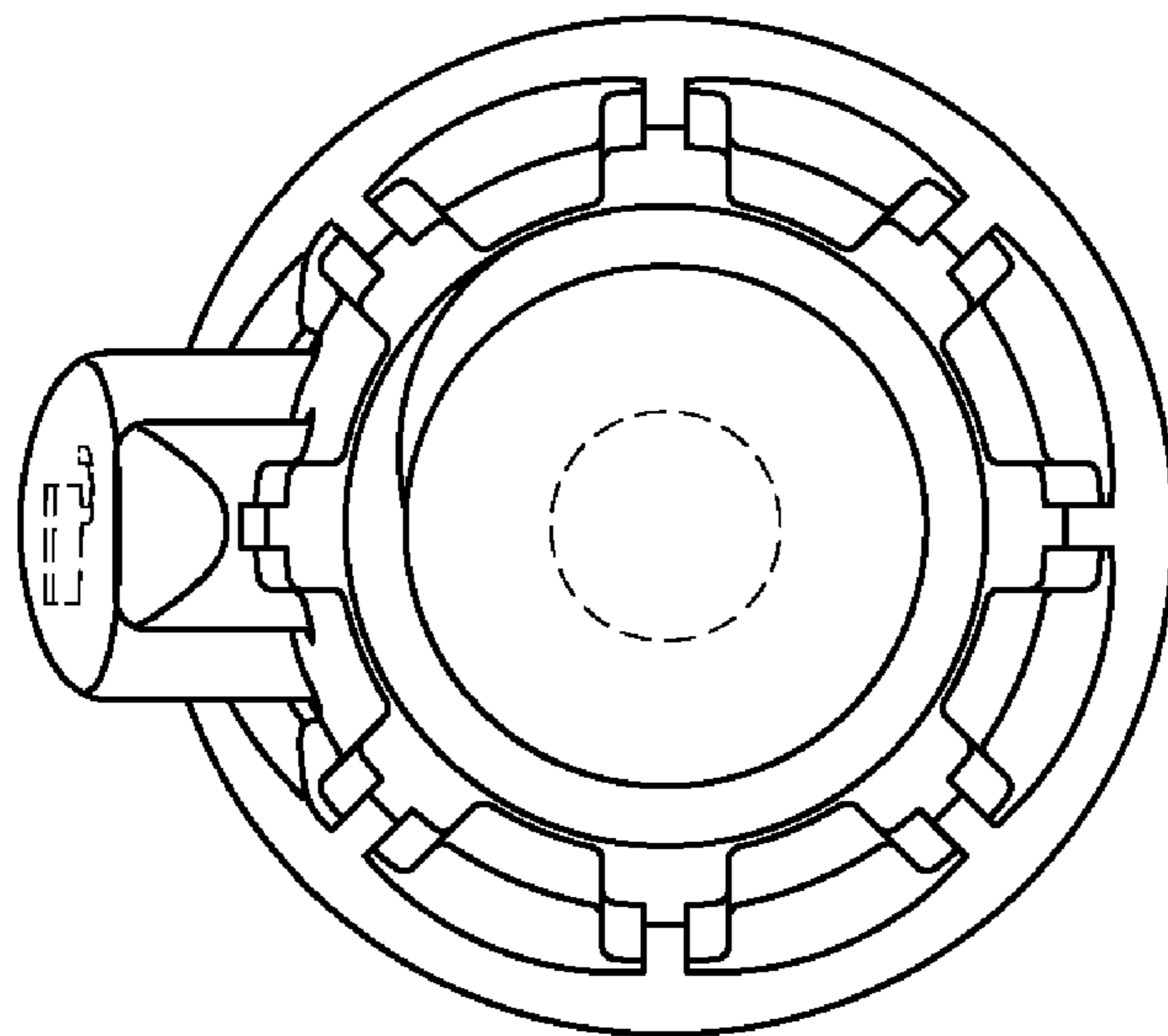


FIG. 7

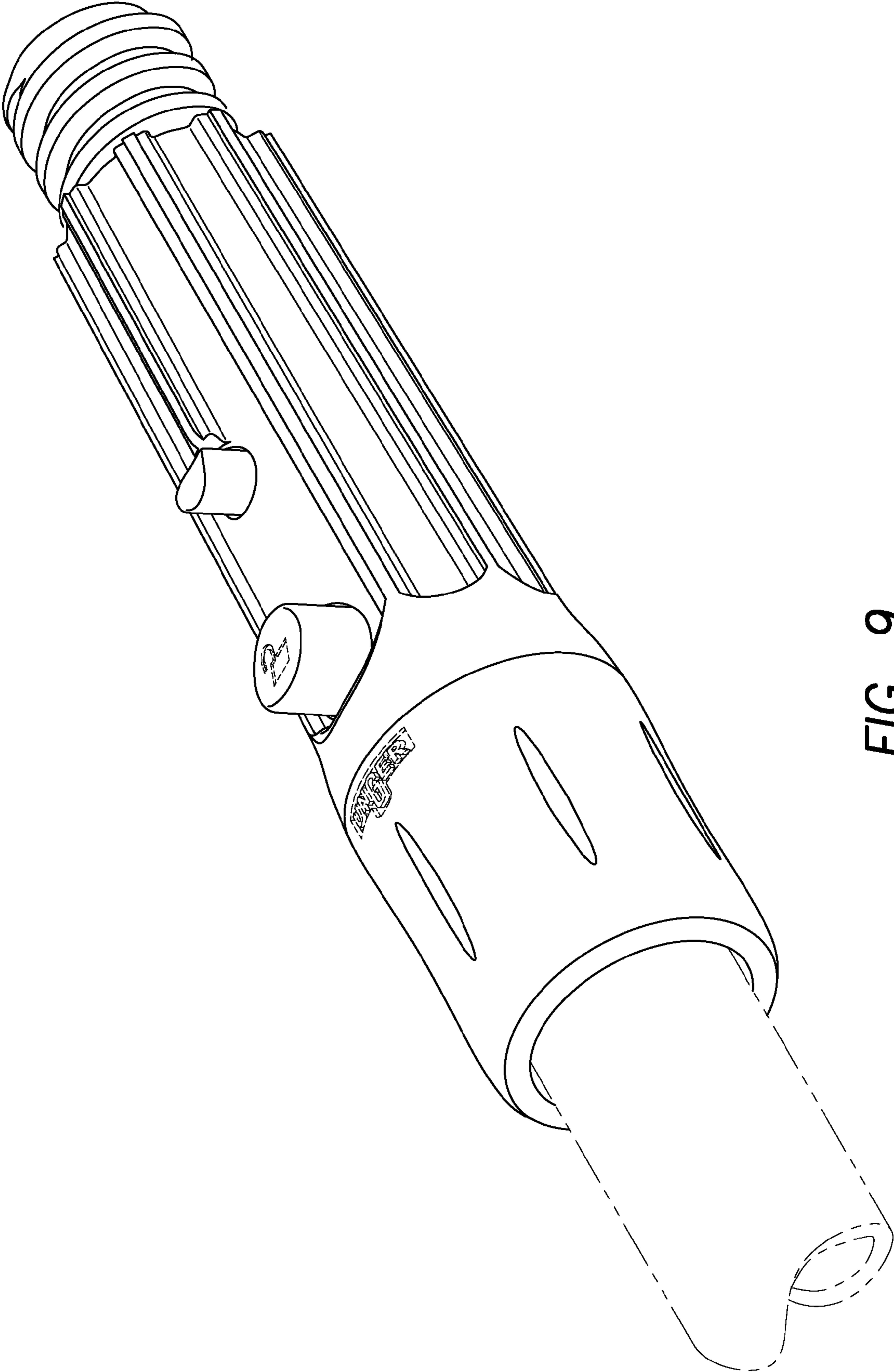


FIG. 9