



US00D637893S

(12) **United States Design Patent**  
**Yon**

(10) **Patent No.:** **US D637,893 S**

(45) **Date of Patent:** **\*\* May 17, 2011**

(54) **HANGER**

(75) Inventor: **Jamey Yon**, Charlotte, NC (US)

(73) Assignee: **Jamey Yon**, Charlotte, NC (US)

(\*\*) Term: **14 Years**

(21) Appl. No.: **29/360,870**

(22) Filed: **Apr. 30, 2010**

**Related U.S. Application Data**

(63) Continuation-in-part of application No. 29/342,014, filed on Aug. 17, 2009, now Pat. No. Des. 615,264.

(51) **LOC (9) Cl.** ..... **08-05**

(52) **U.S. Cl.** ..... **D8/370; D8/373**

(58) **Field of Classification Search** ..... D8/370, D8/373; 248/301-304, 99

See application file for complete search history.

(56) **References Cited**

**U.S. PATENT DOCUMENTS**

2,717,140	A	*	9/1955	Hulse, Jr.	.....	248/222.13
D432,316	S	*	10/2000	Duggan	.....	D6/317
D486,379	S	*	2/2004	Olson	.....	D8/370
D543,441	S	*	5/2007	Hall	.....	D8/367
D545,669	S	*	7/2007	Hall	.....	D8/367

D555,462	S	*	11/2007	Moffitt et al.	.....	D8/370
D589,756	S	*	4/2009	Shaffer	.....	D7/601
D591,143	S	*	4/2009	Ernst et al.	.....	D8/372

\* cited by examiner

*Primary Examiner* — Holly H Baynham

(74) *Attorney, Agent, or Firm* — Alston & Bird LLP

(57) **CLAIM**

The ornamental design for a hanger, as shown and described.

**DESCRIPTION**

FIG. 1 is a perspective view of an embodiment of a hanger according to my new design;

FIG. 2 is a front plan view thereof;

FIG. 3 is a back plan view thereof;

FIG. 4 is a left side elevation view thereof, the right side being a mirror image thereof;

FIG. 5 is a top elevation view thereof;

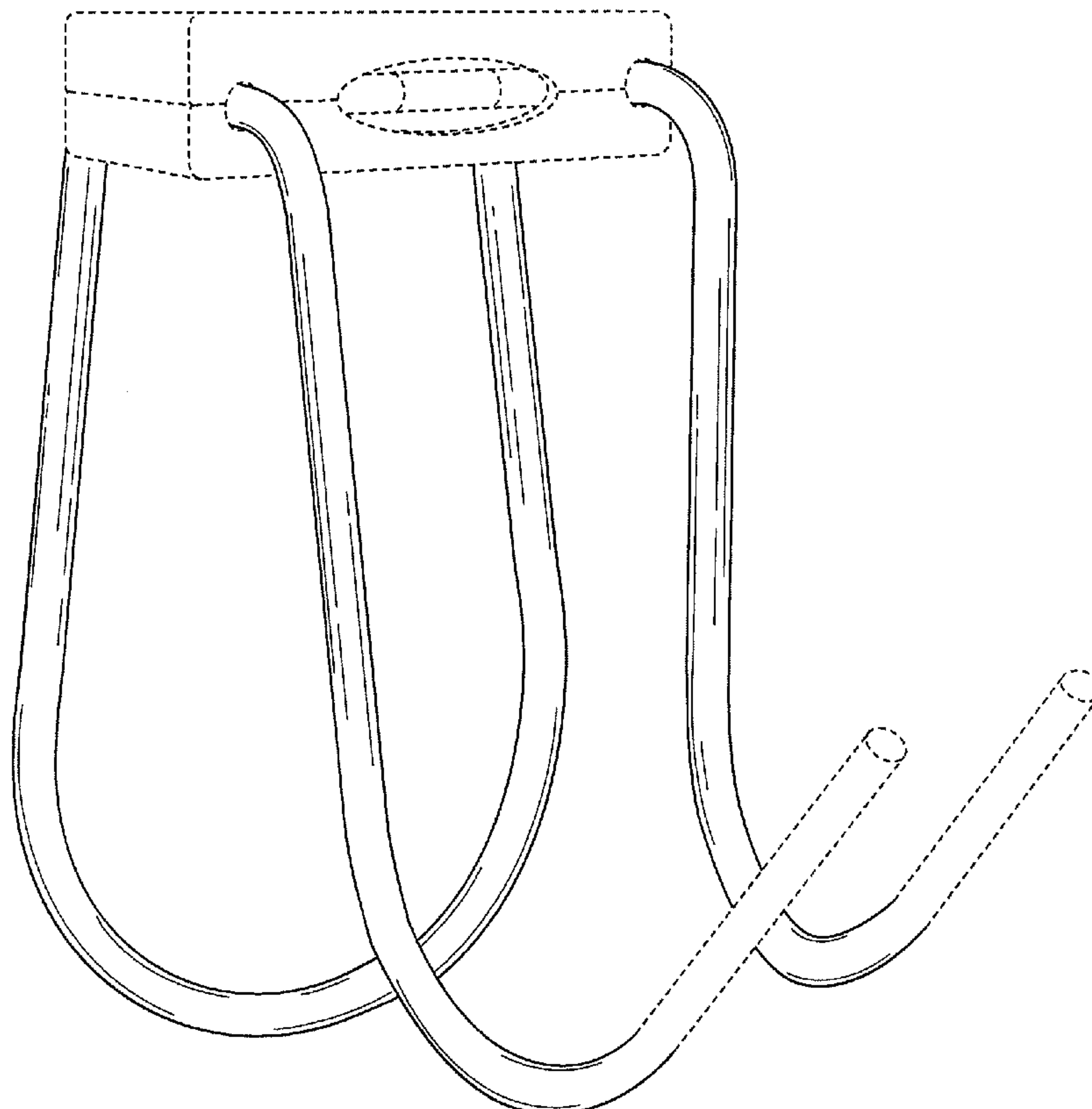
FIG. 6 is a bottom elevation view thereof;

FIG. 7 is a perspective view of the hanger shown in the environment of a user; and,

FIG. 8 is a perspective view of the hanger shown in the environment of a beam and joist.

The broken lines immediately adjacent the shaded areas represent the bounds of the claimed design while all other broken lines are showing hanger structure, portion of a body, paint brush and fragmented structure are for the purposes of illustrating environment; the broken lines form no part of the claimed design.

**1 Claim, 8 Drawing Sheets**



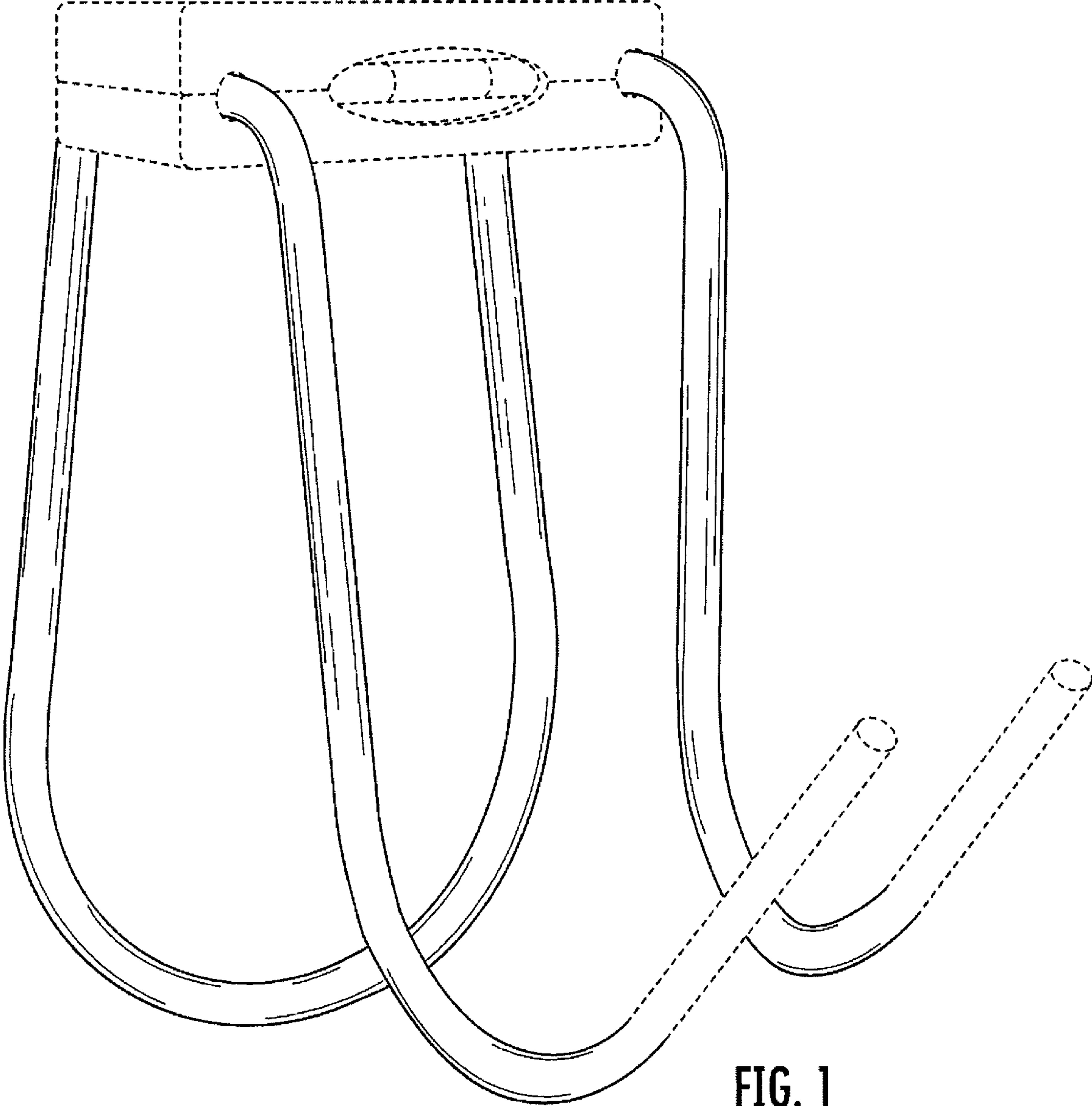


FIG. 1

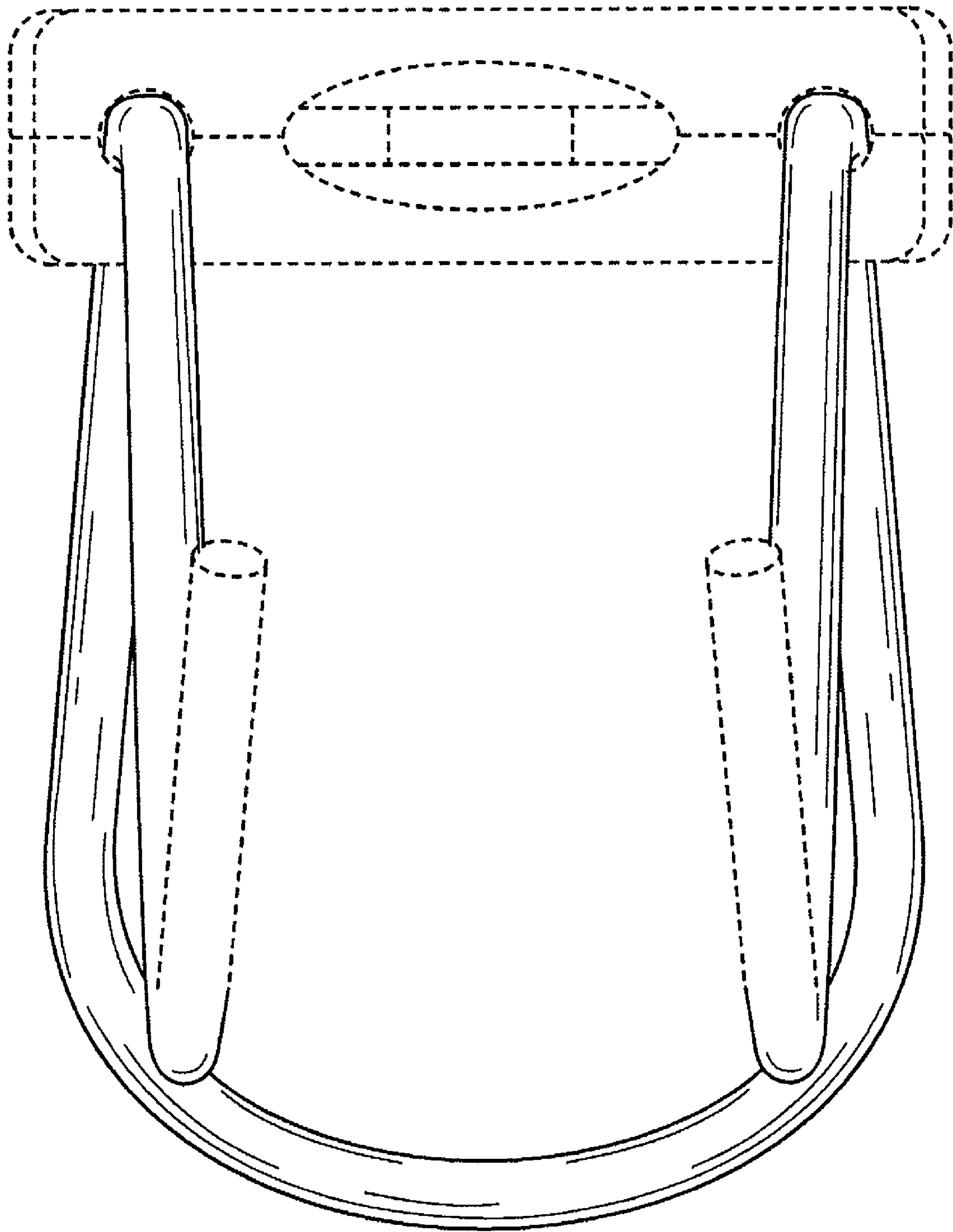


FIG. 2

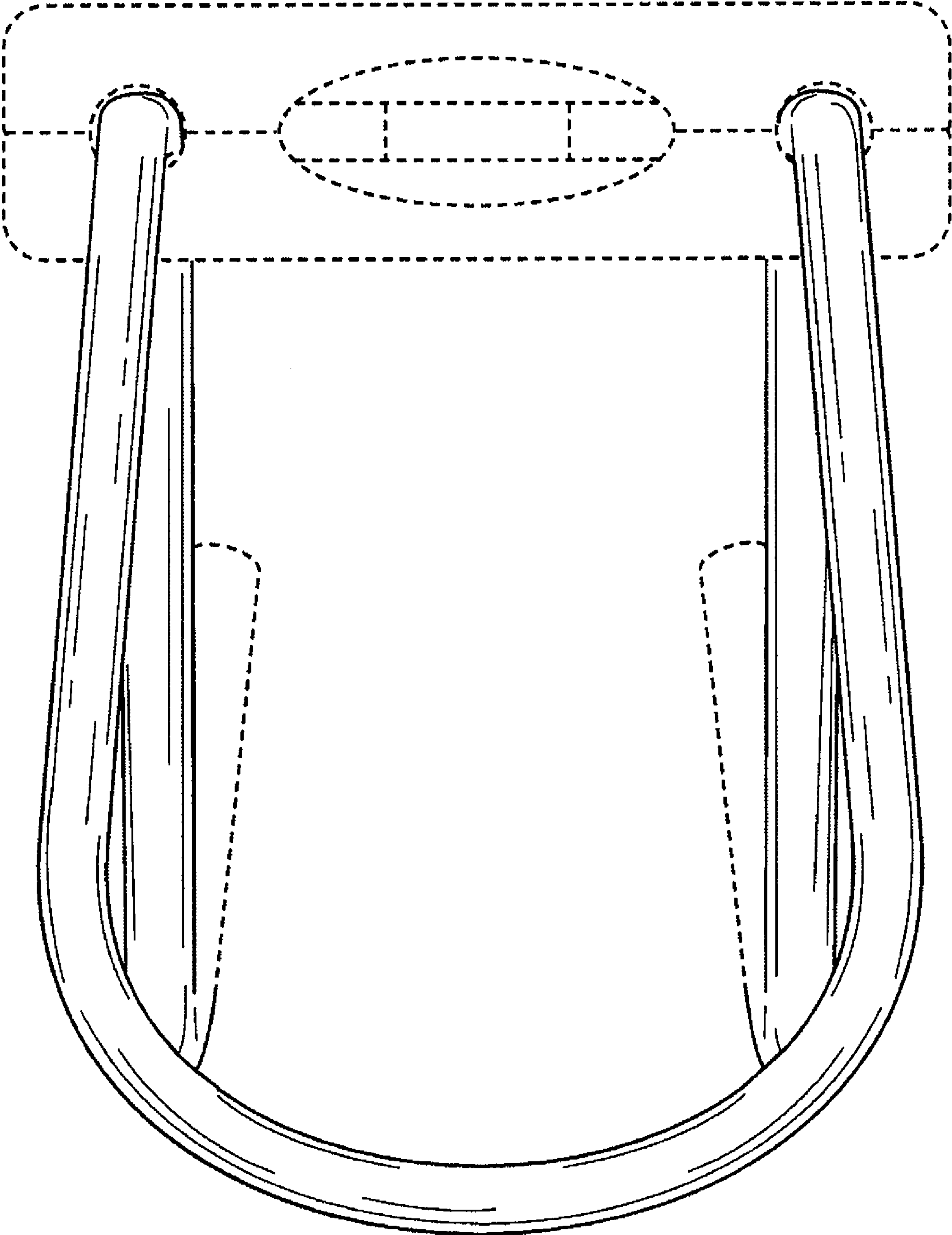


FIG. 3

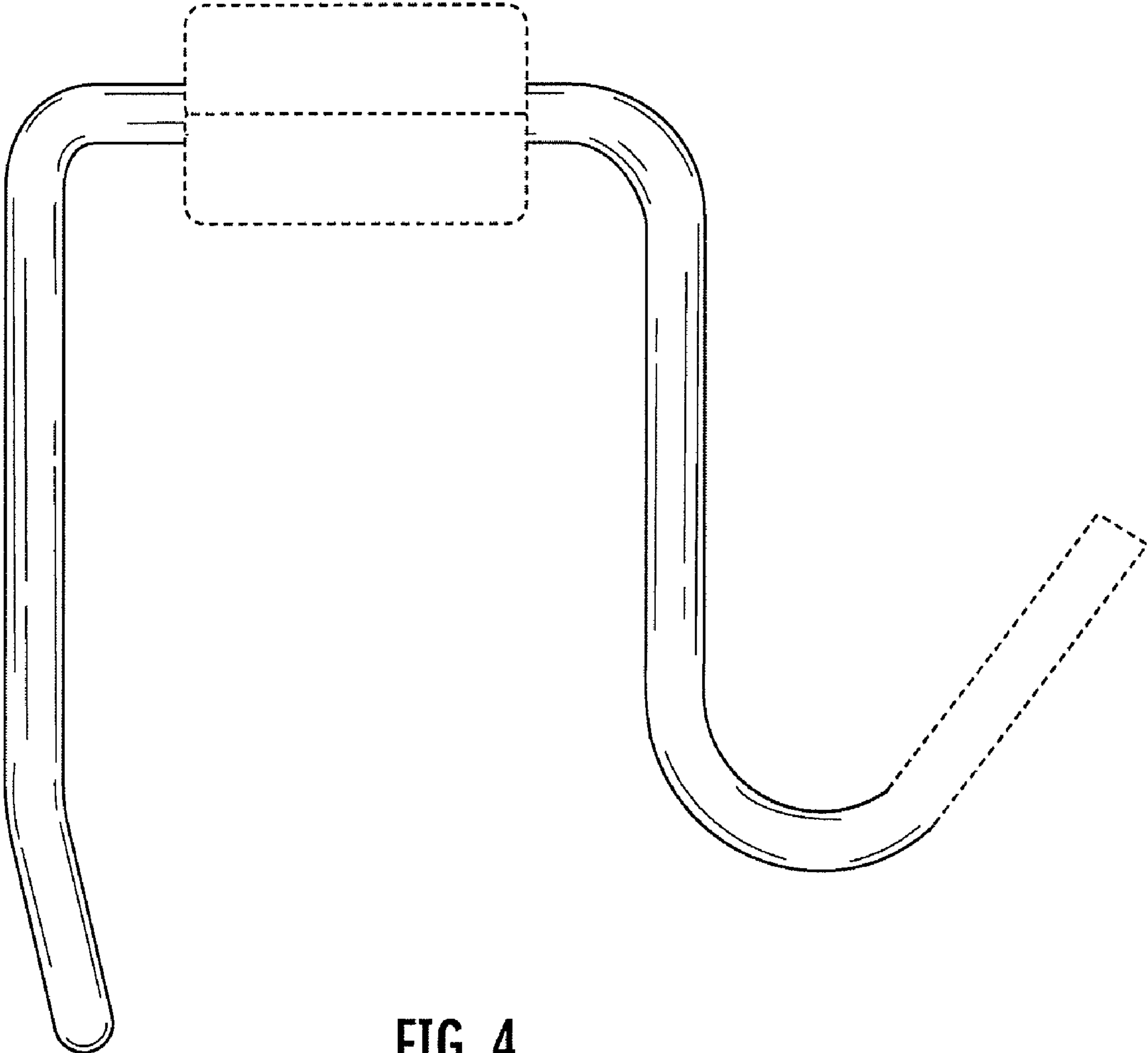


FIG. 4

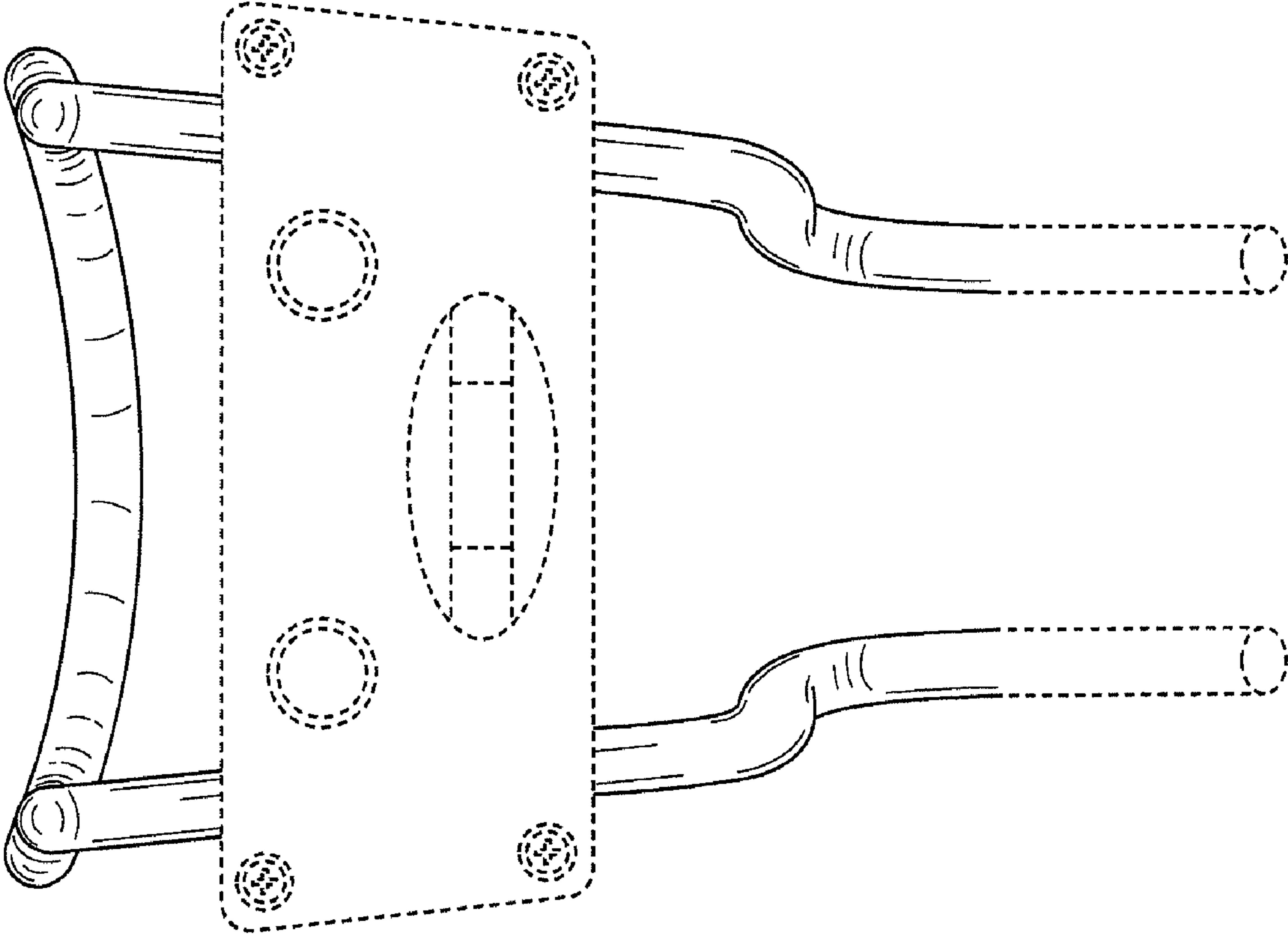


FIG. 5

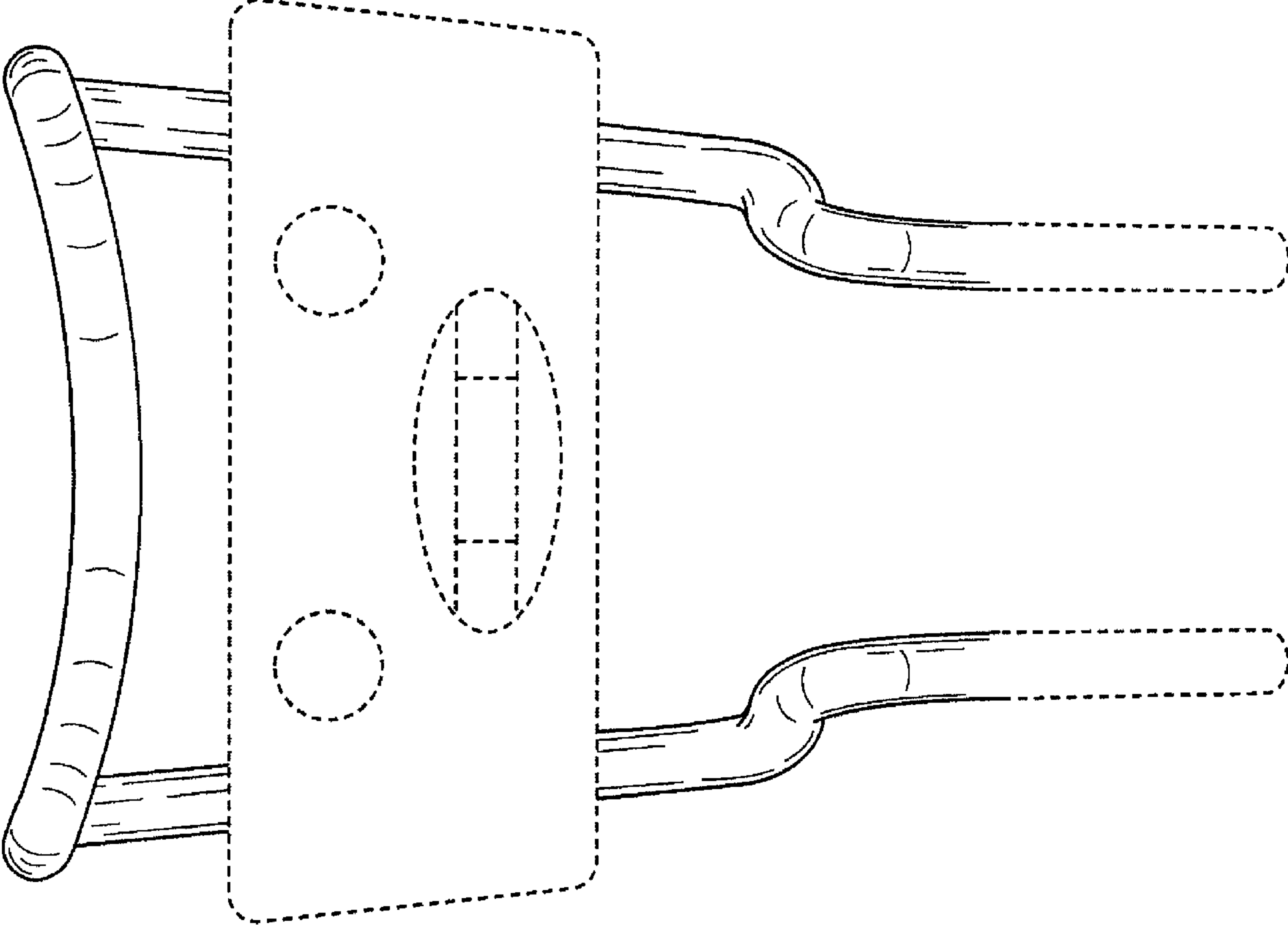


FIG. 6



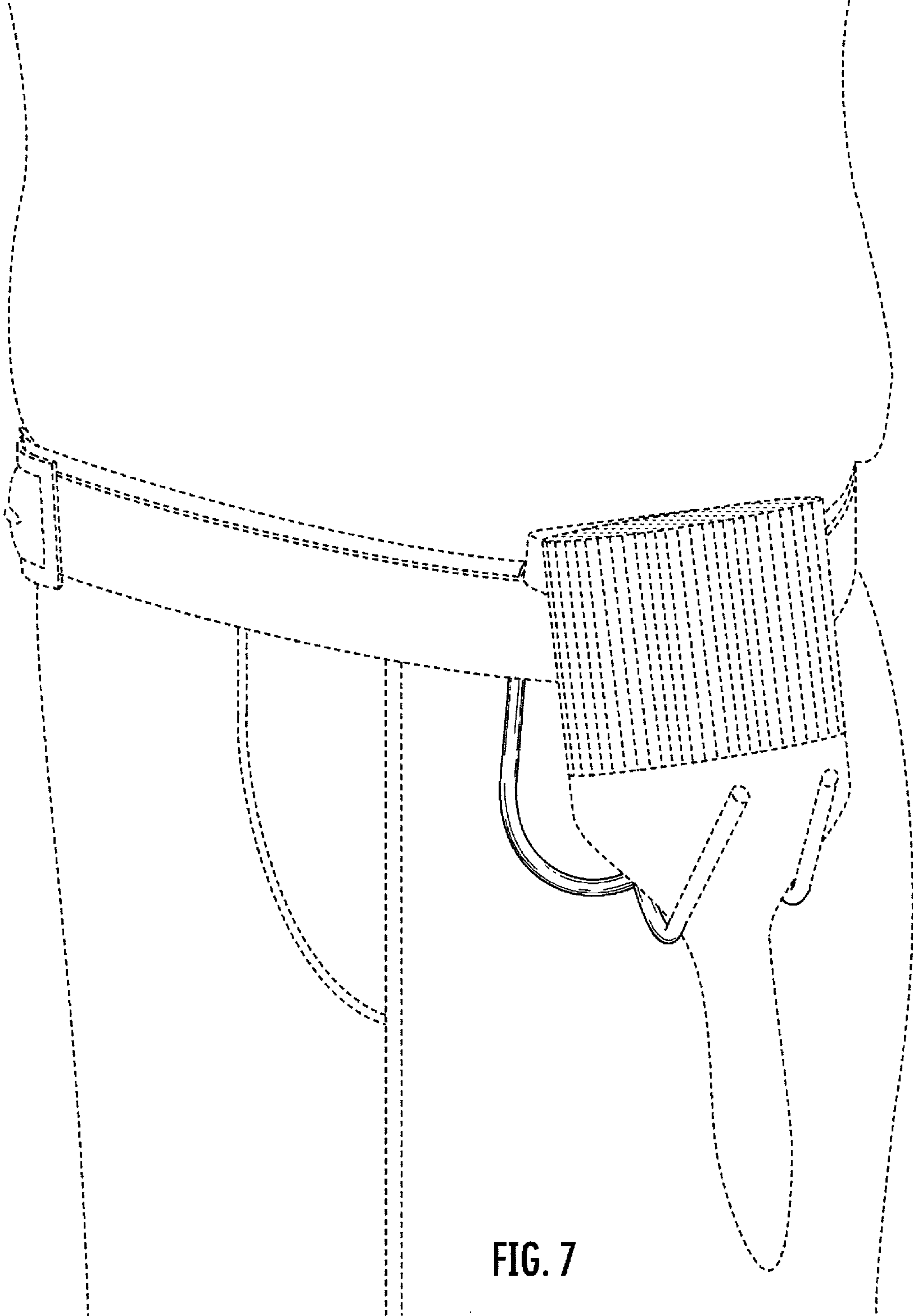


FIG. 7



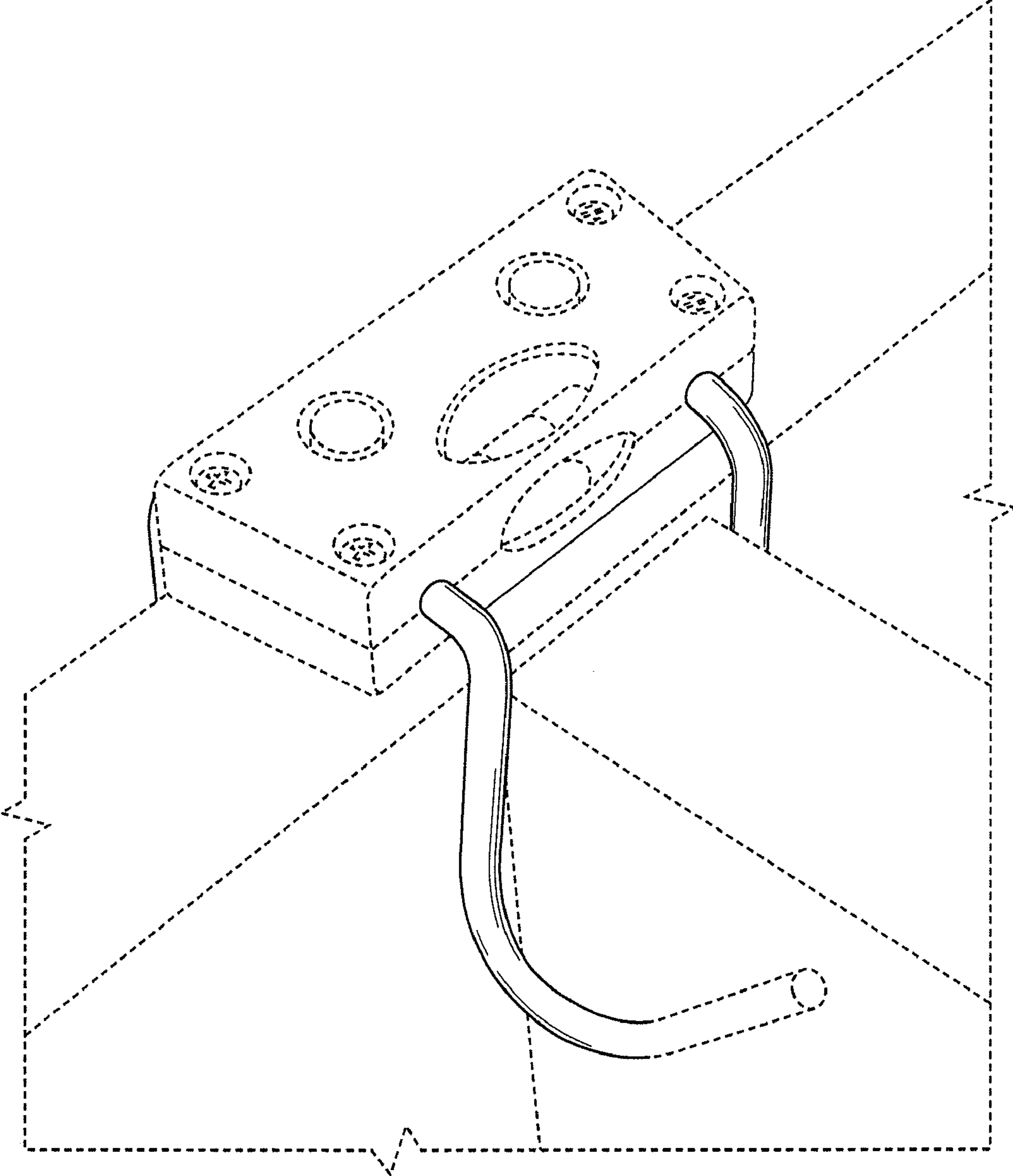


FIG. 8