



US00D637890S

(12) **United States Design Patent**
Tschirpke

(10) **Patent No.:** **US D637,890 S**

(45) **Date of Patent:** **** May 17, 2011**

(54) **COVER PLATE FOR IN-WALL MOUNTED
ELECTRONIC COMPONENT HOUSING**

D564,862 S * 3/2008 Lin D8/353
D566,525 S * 4/2008 DeCosta D8/353
D567,633 S * 4/2008 Anderson D8/353

(76) Inventor: **David Tschirpke**, N. Grosvenordale, CT
(US)

* cited by examiner

(**) Term: **14 Years**

Primary Examiner — Mark A Goodwin

(74) *Attorney, Agent, or Firm* — BainwoodHuang

(21) Appl. No.: **29/375,109**

(22) Filed: **Sep. 17, 2010**

(57) **CLAIM**

The ornamental design for a cover plate for in-wall mounted electronic component housing, as shown and described.

(51) **LOC (9) Cl.** **11-05**

(52) **U.S. Cl.** **D8/353**

DESCRIPTION

(58) **Field of Classification Search** D8/350–353;
D13/139.1–139.8, 146, 147, 152, 154, 156,
D13/158, 169, 171, 173, 177, 184; D14/159;
D25/60; 174/55, 58, 66, 67, 535; 220/241,
220/3.92, 3.5–3.9, 242, 3.2, 3.3, 244, 315;
439/535, 536, 892, 367, 373, 537, 541, 938;
200/303; 248/273; 292/357

FIG. 1 is a front perspective view of a cover plate for in-wall mounted electronic component housing showing my new design;

FIG. 2 is a front view thereof;

FIG. 3 is a rear view thereof;

FIG. 4 is a right side view thereof, the left side view being identical thereof; and,

FIG. 5 is a top view thereof, the bottom view being identical thereof.

See application file for complete search history.

The inclusion of broken lines as part of the cover plate illustrated in FIGS. 1 through 3 is for the purpose of illustrating environmental structure and forms no part of the claimed design.

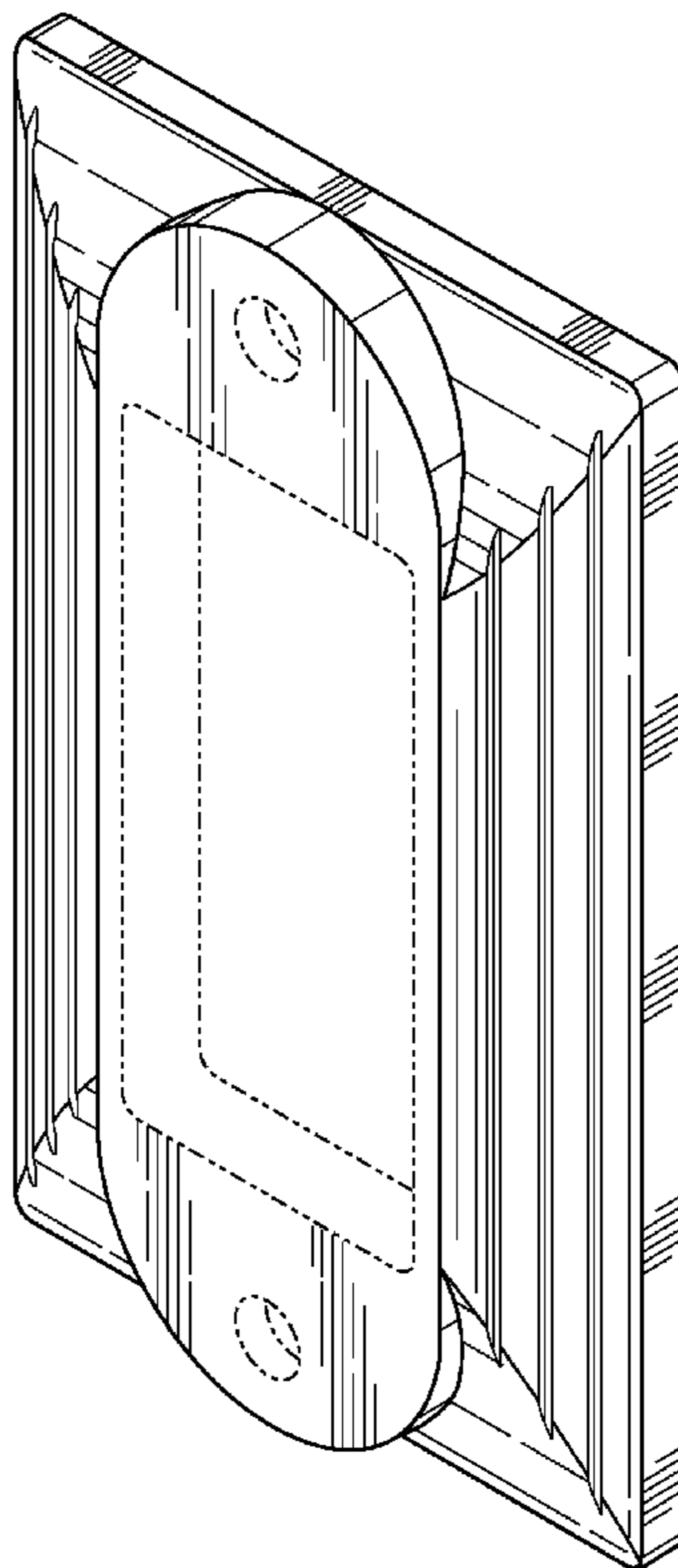
The cover plate is used to cover a wall opening and a portion of an in-wall mounted electronic component housing at least partially disposed within the wall opening.

(56) **References Cited**

U.S. PATENT DOCUMENTS

D392,873 S * 3/1998 Scherer et al. D8/353
D424,408 S * 5/2000 Garibay et al. D8/353
D493,695 S * 8/2004 Wengrower D8/353
D508,198 S * 8/2005 Holger D8/353
D521,360 S * 5/2006 Chen D8/353
D528,403 S * 9/2006 Xu et al. D8/353
D534,058 S * 12/2006 Fields D8/353
D534,787 S * 1/2007 Fields D8/353

1 Claim, 5 Drawing Sheets



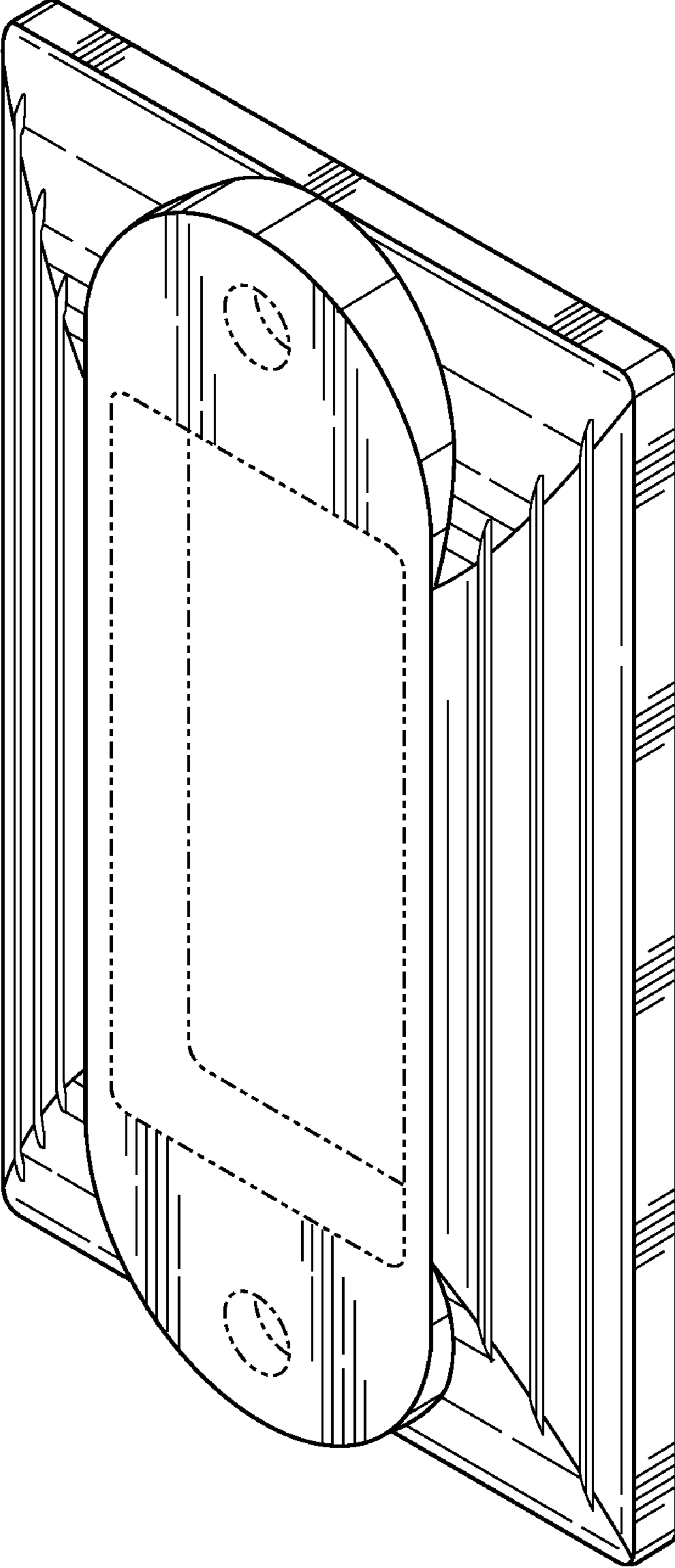


FIG. 1

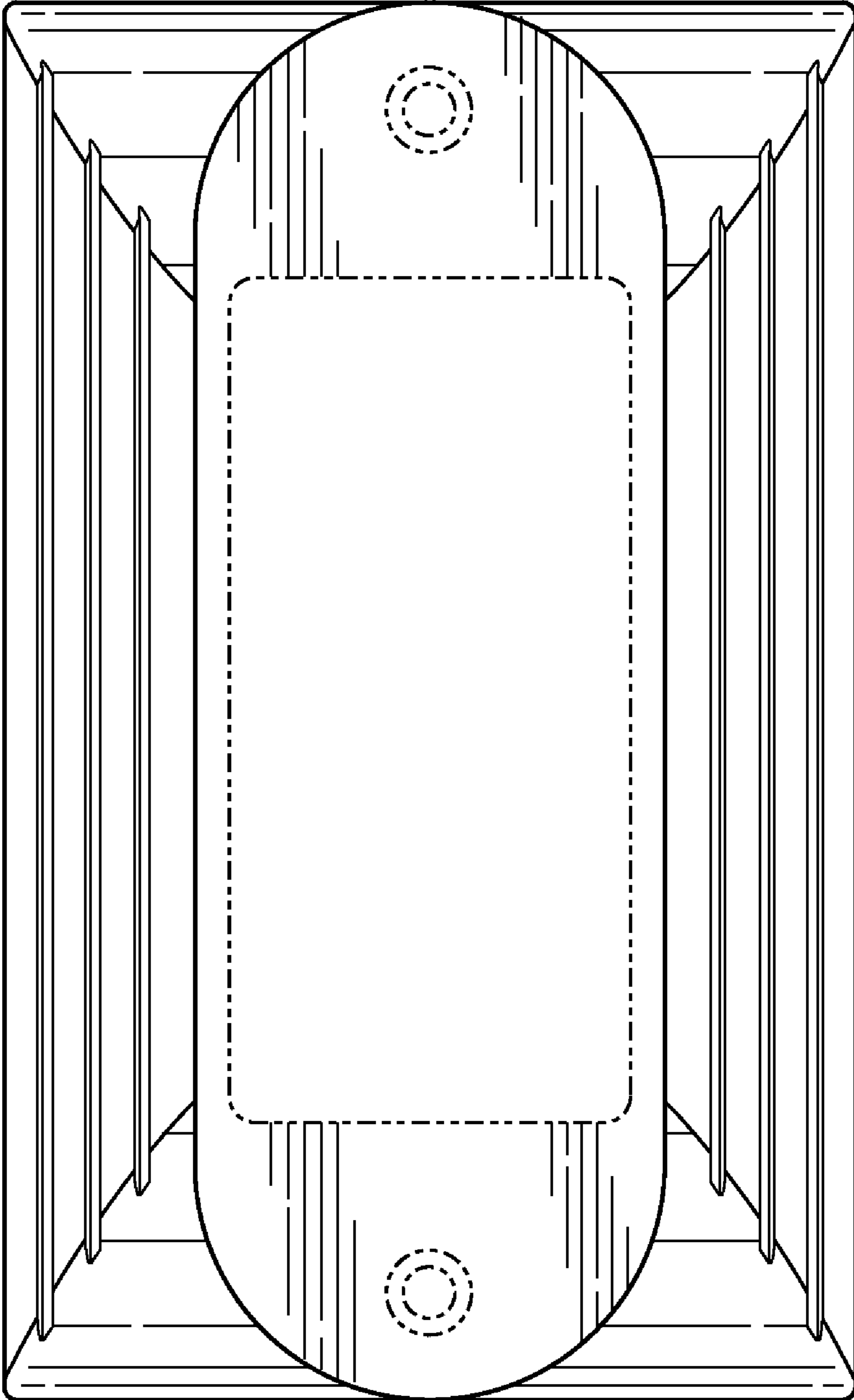


FIG. 2

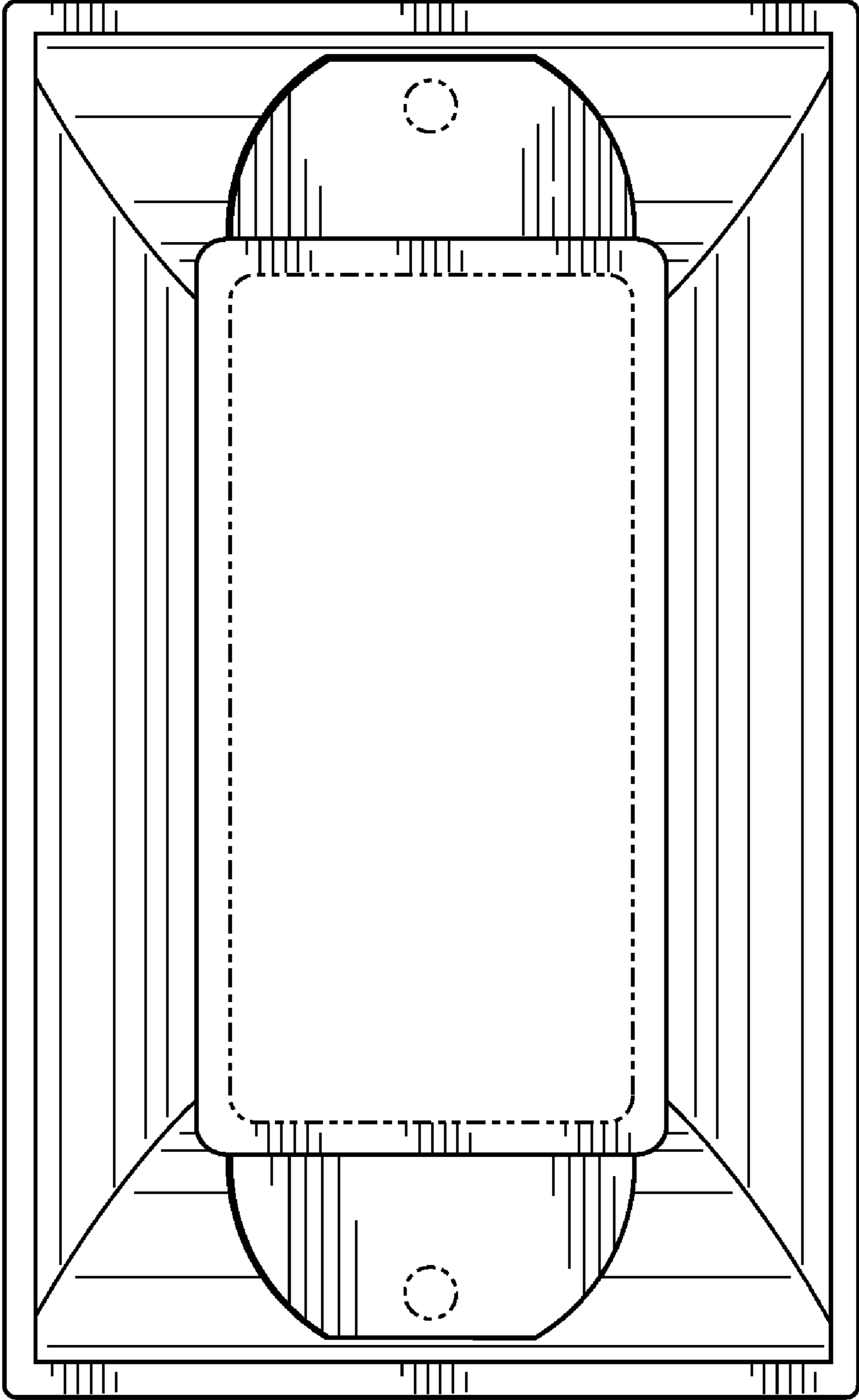


FIG. 3

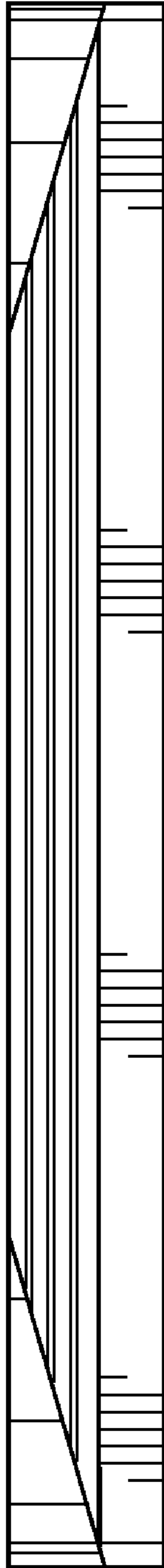


FIG. 4

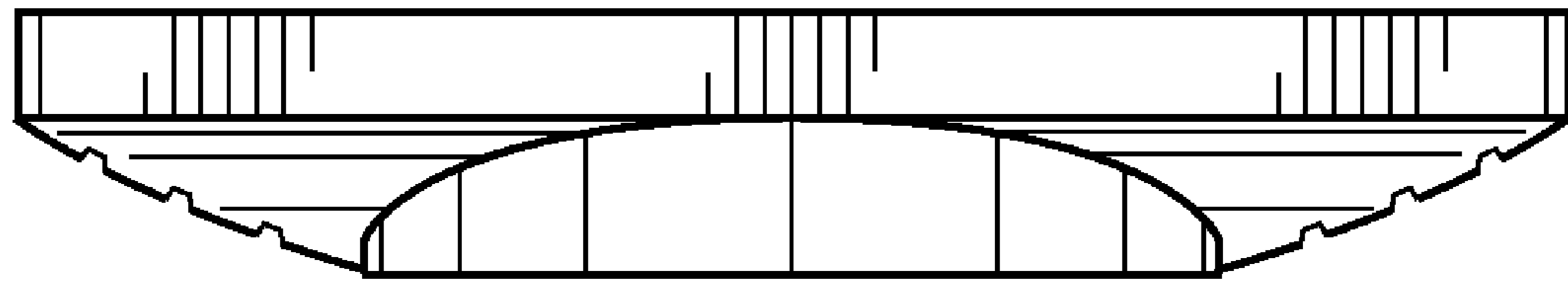


FIG. 5