



US00D637888S

(12) **United States Design Patent**
Zheng

(10) **Patent No.:** **US D637,888 S**

(45) **Date of Patent:** **** May 17, 2011**

(54) **LOCK**

(76) Inventor: **Yongjin Zheng**, Zhenjiang (CN)

(**) Term: **14 Years**

(21) Appl. No.: **29/367,757**

(22) Filed: **Aug. 12, 2010**

(51) **LOC (9) Cl.** **08-07**

(52) **U.S. Cl.** **D8/334**

(58) **Field of Classification Search** D8/330-347;
70/14, 20-28, 31, 32, 39, 41, 52-56, 86,
70/314, 423, DIG. 43, DIG. 56, 38 A, DIG. 3,
70/DIG. 4

See application file for complete search history.

(56) **References Cited**

U.S. PATENT DOCUMENTS

| | | | | | |
|-----------|------|---------|-----------------|-------|--------|
| D99,554 | S * | 5/1936 | Slaymaker | | D8/334 |
| 3,256,723 | A * | 6/1966 | Lehman | | 70/25 |
| 4,226,100 | A * | 10/1980 | Hampton et al. | | 70/51 |
| D451,002 | S * | 11/2001 | Lai | | D8/334 |
| D458,530 | S * | 6/2002 | Grosz et al. | | D8/334 |
| 6,434,981 | B2 * | 8/2002 | Fantl et al. | | 70/25 |
| D471,429 | S * | 3/2003 | Williams et al. | | D8/334 |
| 6,718,803 | B2 * | 4/2004 | Knoll | | 70/26 |

| | | | | | |
|--------------|------|---------|-----------------|-------|---------|
| 6,993,943 | B1 * | 2/2006 | Chang | | 70/38 B |
| D518,357 | S * | 4/2006 | Kearns et al. | | D8/334 |
| D587,983 | S * | 3/2009 | Zorc et al. | | D8/334 |
| 2008/0011027 | A1 * | 1/2008 | Yu | | 70/24 |
| 2010/0326143 | A1 * | 12/2010 | Loughlin et al. | | 70/24 |

* cited by examiner

Primary Examiner — Prabhakar Deshmukh

(74) *Attorney, Agent, or Firm* — Osha • Liang LLP

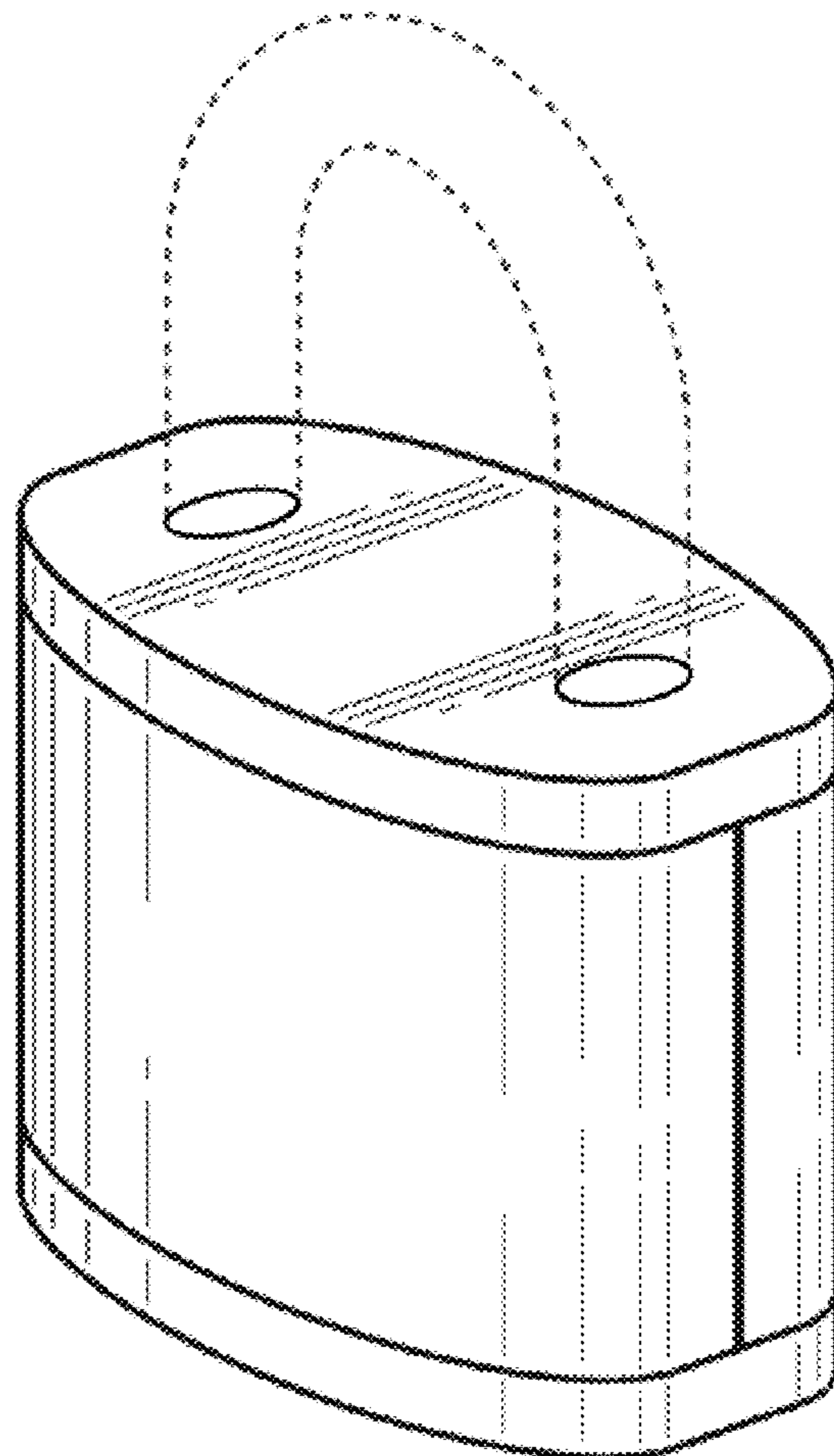
(57) **CLAIM**

The ornamental design for a lock, as shown and described.

DESCRIPTION

FIG. 1 is a perspective view pf a lock showing my new design;
FIG. 2 is a top plan view thereof;
FIG. 3 is a bottom plan view thereof;
FIG. 4 is a front elevational view thereof, the rear elevational
view being a mirror image thereof; and,
FIG. 5 is a left side elevational view thereof, the right side
elevational view being a mirror image thereof.
The broken lines adjacent to the shaded area represent the
boundaries of the claimed design. Other broken lines repre-
sent the portions of the design form no part of the claim. None
of the broken lines form part of the claimed design.

1 Claim, 1 Drawing Sheet



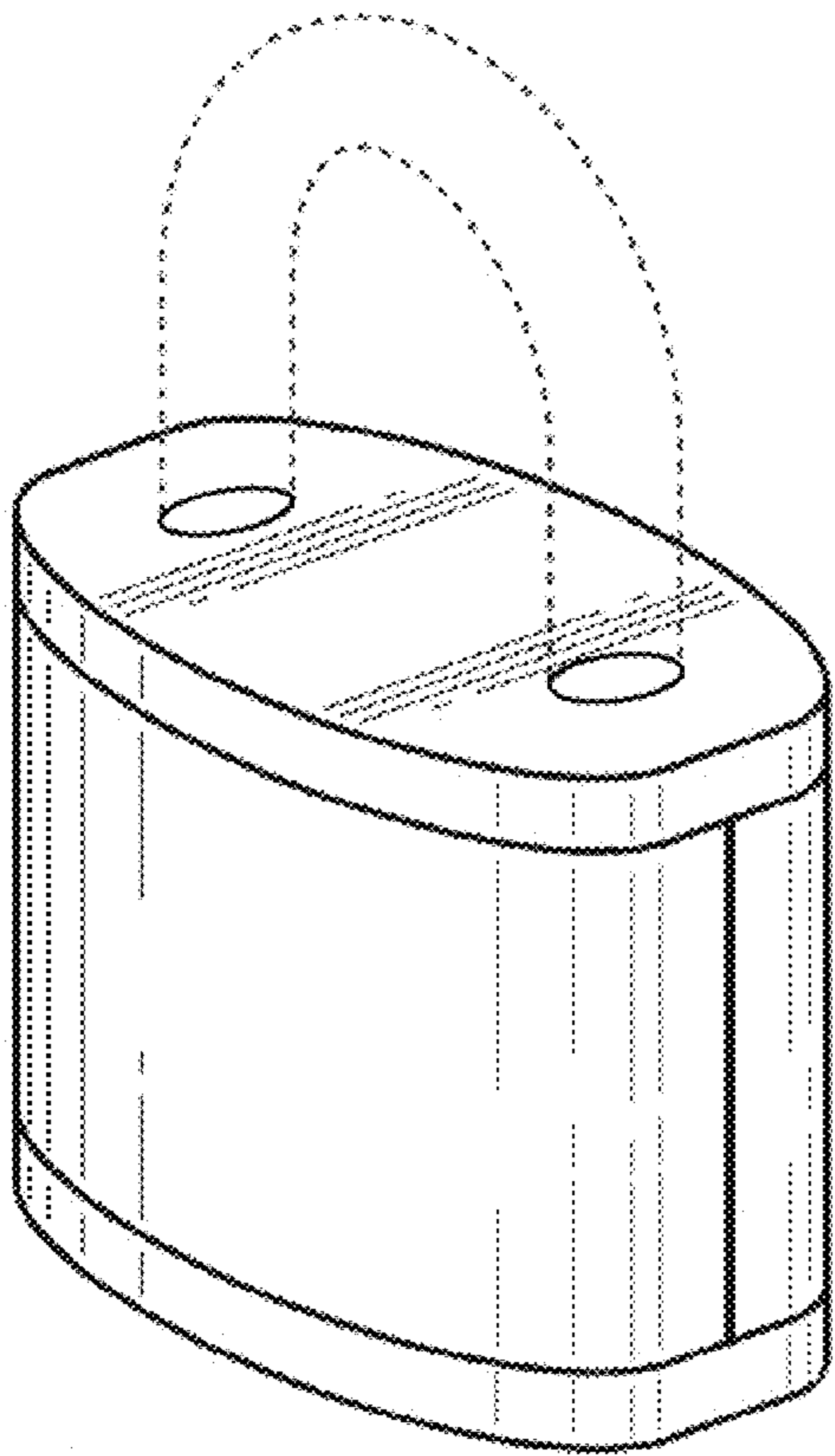


FIG. 1

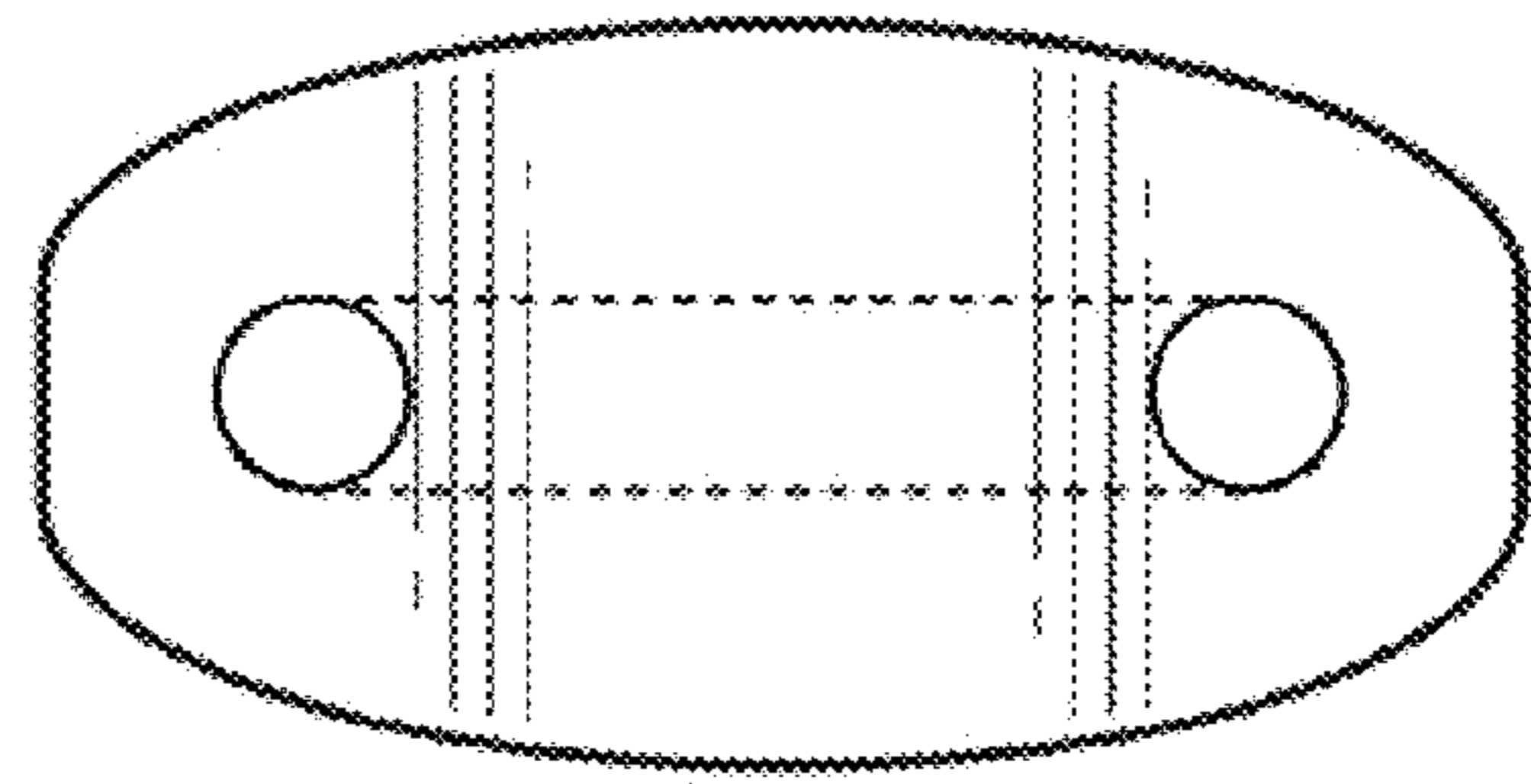


FIG. 2

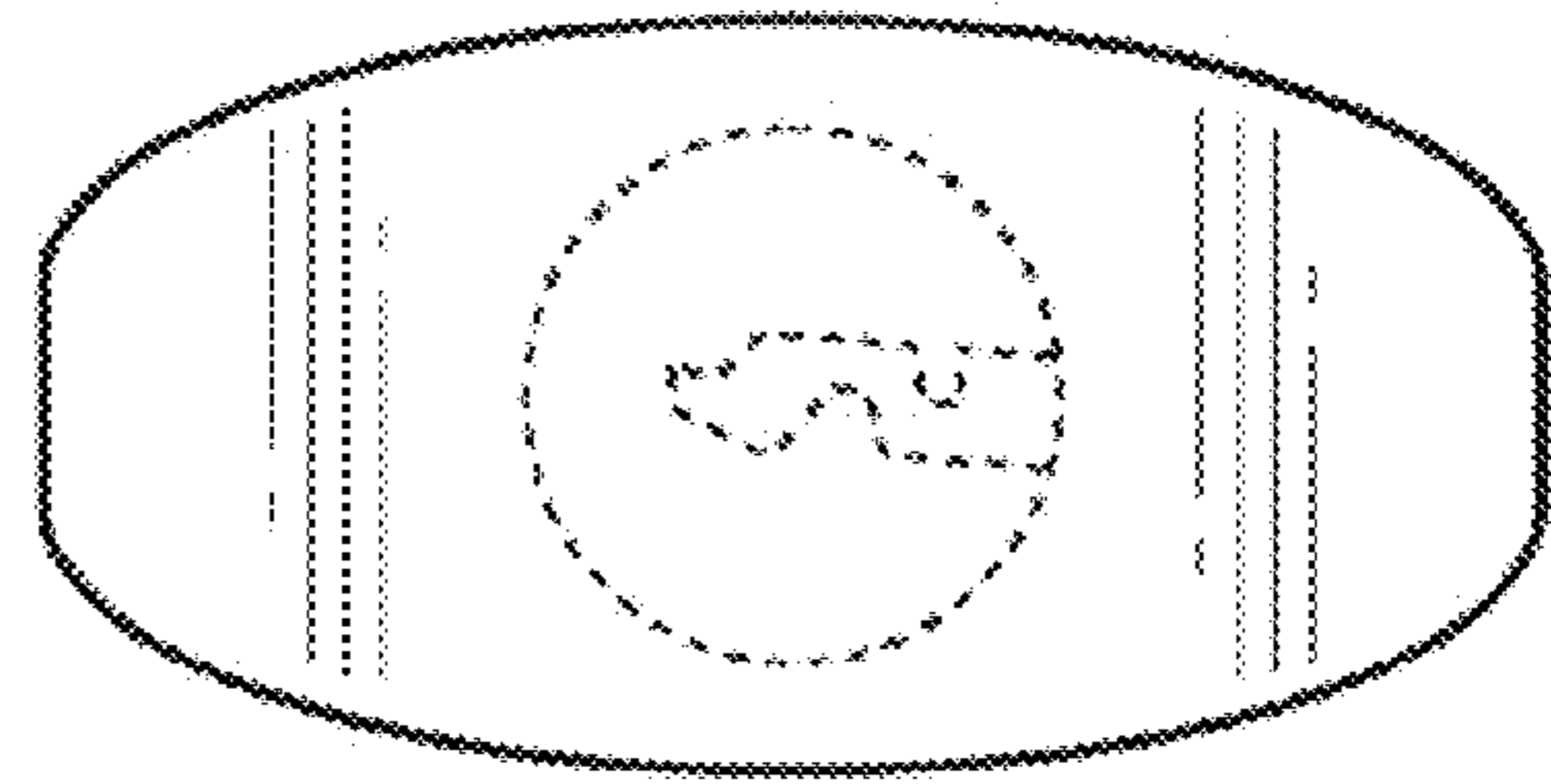


FIG. 3

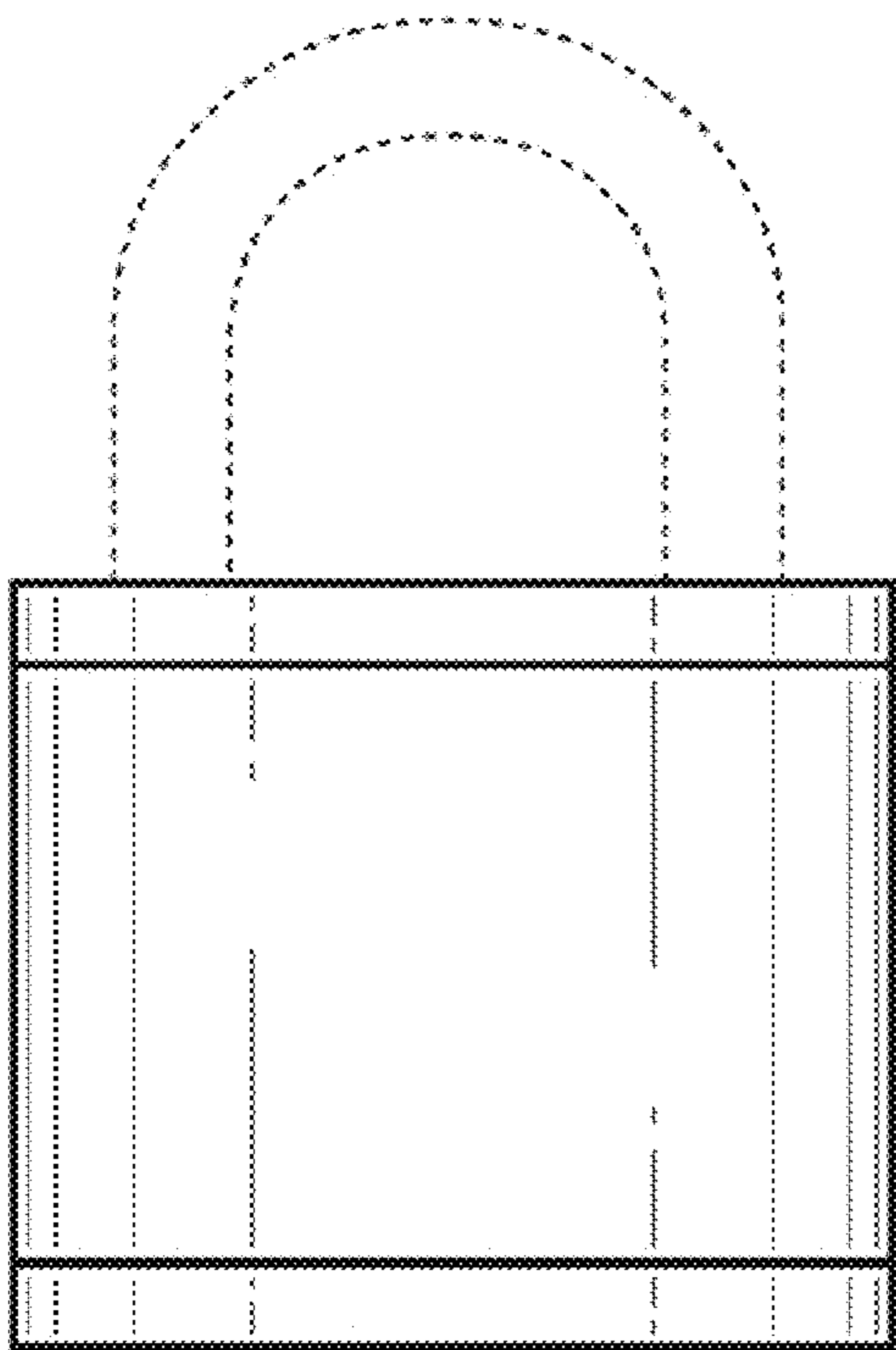


FIG. 4

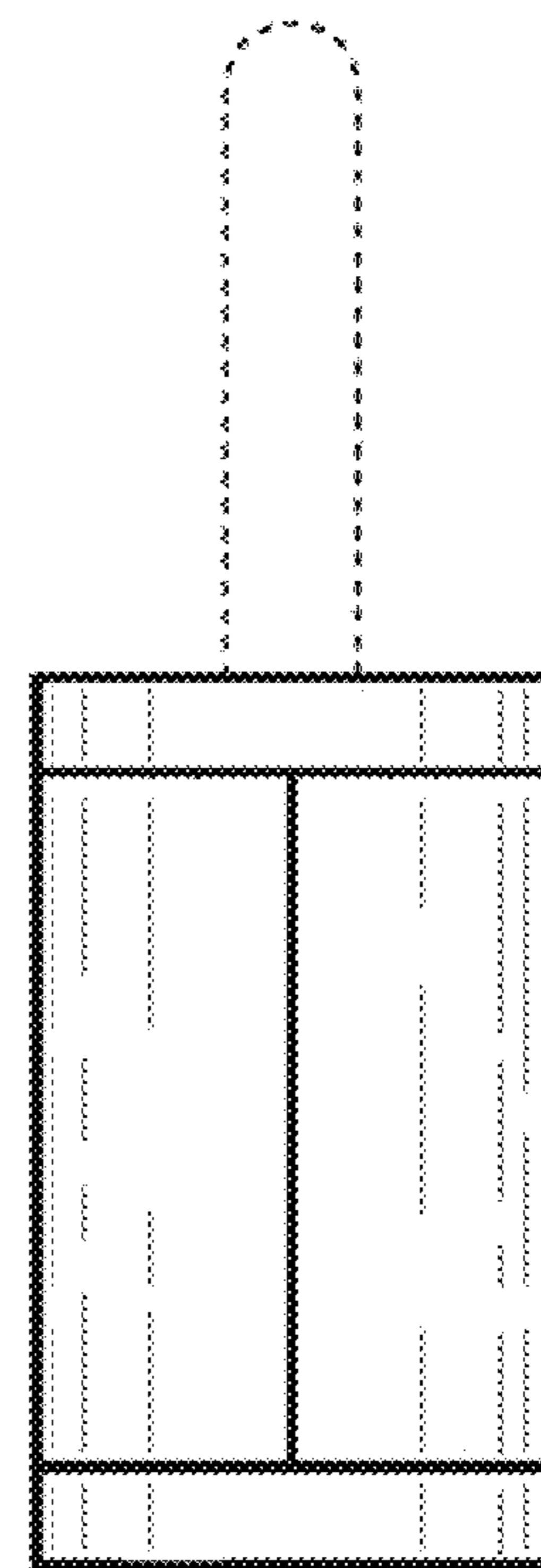


FIG. 5