



US00D637887S

(12) **United States Design Patent**
Beres et al.

(10) **Patent No.:** **US D637,887 S**

(45) **Date of Patent:** **** May 17, 2011**

(54) **LOCK**

(76) Inventors: **Mark F. Beres**, Oconomowoc, WI (US);
Michael M. Potempa, Freeport, IL
(US); **Brian S. Potempa**, Freeport, IL
(US)

(**) Term: **14 Years**

(21) Appl. No.: **29/357,227**

(22) Filed: **Mar. 9, 2010**

(51) **LOC (9) Cl.** **08-07**

(52) **U.S. Cl.** **D8/331; D8/339**

(58) **Field of Classification Search** D8/330,
D8/331, 343, 339, 349, 341; 70/107-111,
70/114, 118, 141, 488, 162; 292/2, 32, 63,
292/137, 174

See application file for complete search history.

(56) **References Cited**

U.S. PATENT DOCUMENTS

3,591,219 A * 7/1971 Graziosi 292/207
3,955,842 A * 5/1976 Edwards 292/307 R

D295,606 S * 5/1988 Ault D8/330
D354,428 S * 1/1995 Magnusson D8/331
D371,503 S * 7/1996 Nakano D8/331
D452,810 S * 1/2002 Anderson D8/339
D454,478 S * 3/2002 Willems D8/331
D457,801 S * 5/2002 Zamberg D8/331
D461,112 S * 8/2002 Henley D8/341
D495,235 S * 8/2004 Burrows D8/341
7,296,448 B1 * 11/2007 Shaw 70/283
D601,403 S * 10/2009 Cosby et al. D8/331

* cited by examiner

Primary Examiner — Prabhakar Deshmukh

(74) *Attorney, Agent, or Firm* — James Wood

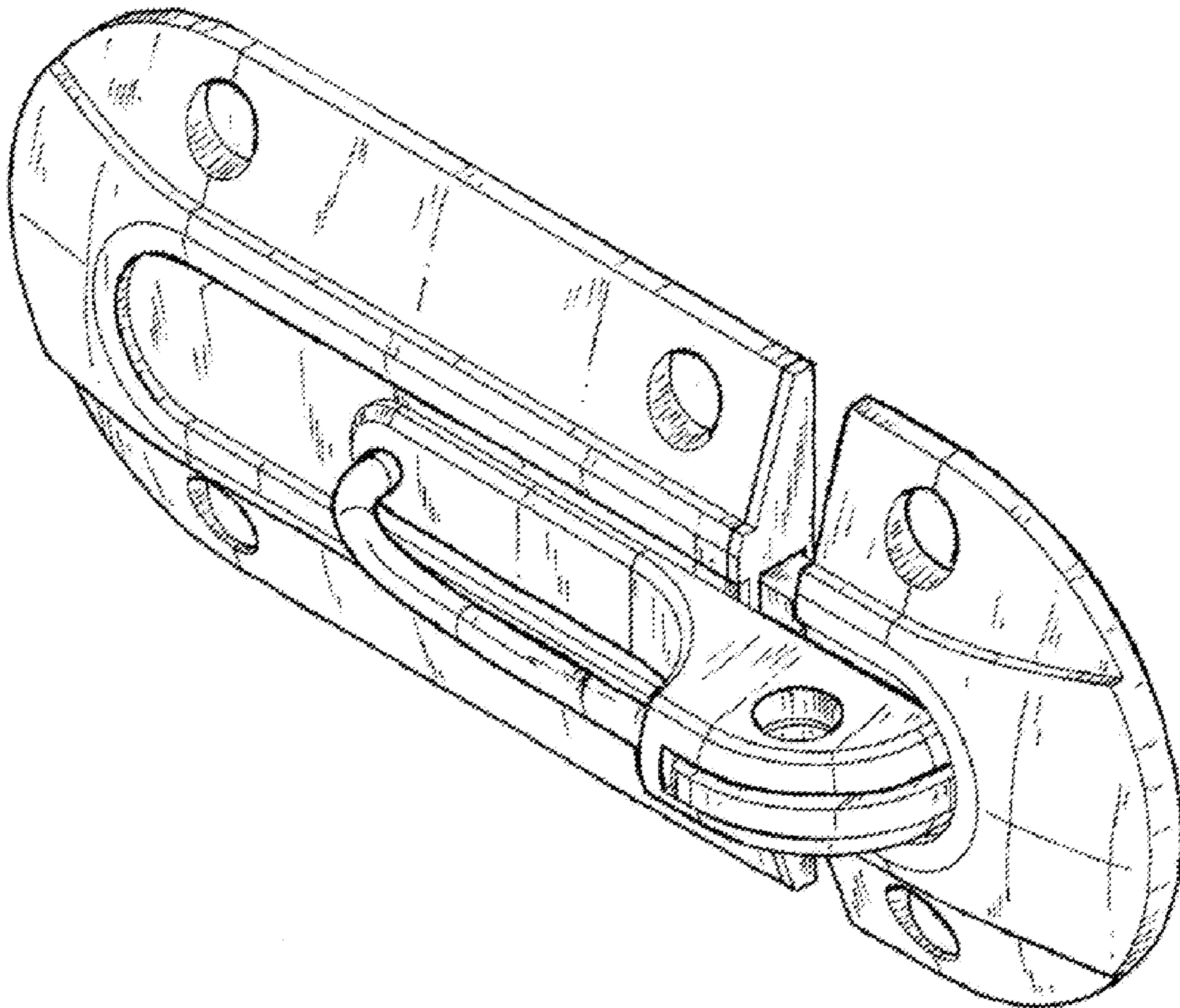
(57) **CLAIM**

The ornamental design for a lock, as shown and described.

DESCRIPTION

FIG. 1 is a perspective view of a lock showing our new design;
FIG. 2 is a front elevational view thereof;
FIG. 3 is a top plan view thereof;
FIG. 4 is a bottom plan view thereof;
FIG. 5 is a left side elevational view thereof; and,
FIG. 6 is a right side elevational view thereof.

1 Claim, 2 Drawing Sheets



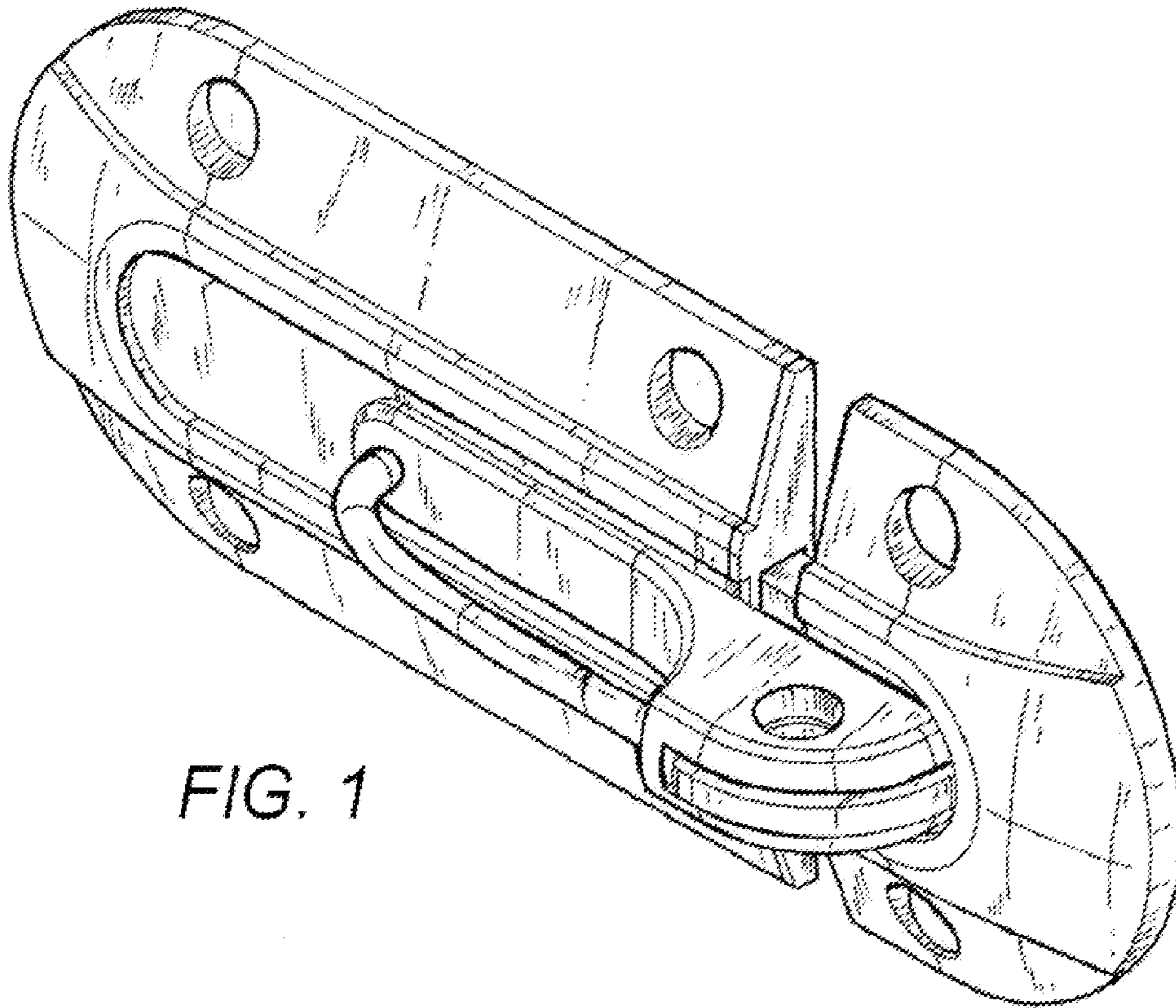


FIG. 1

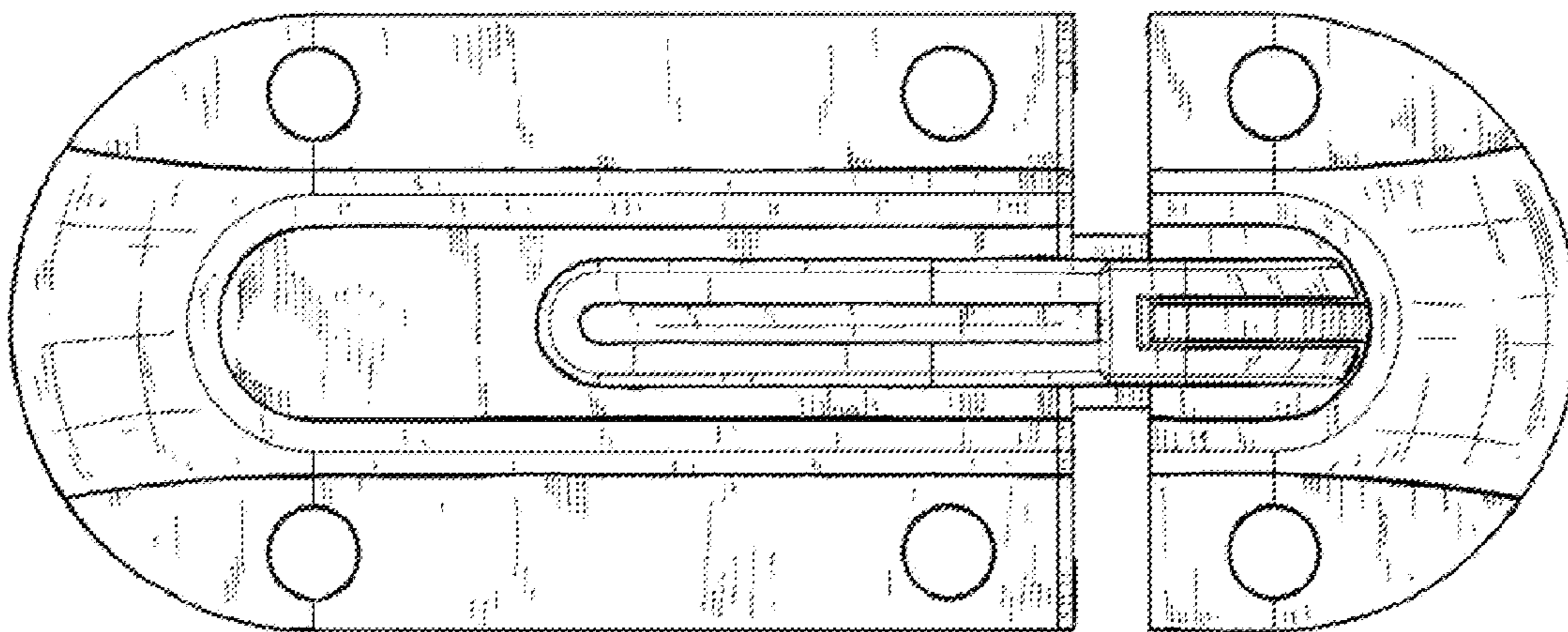


FIG. 2

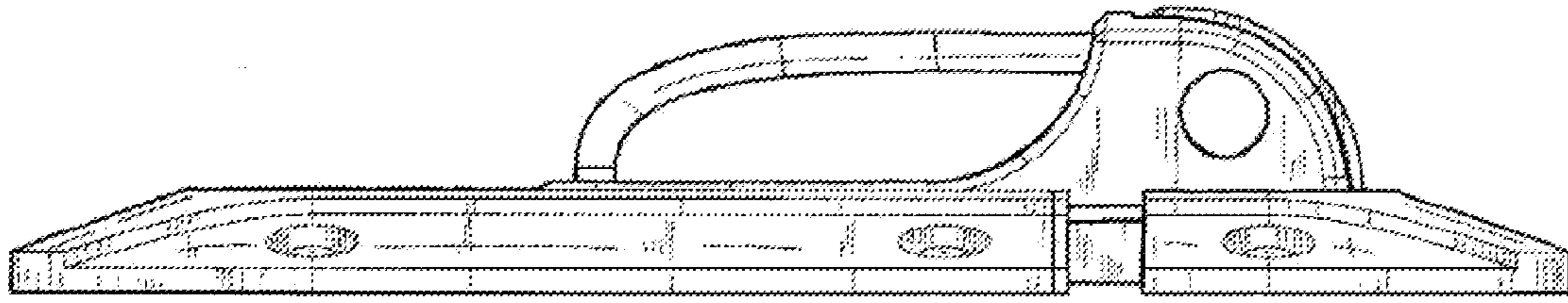


FIG. 3

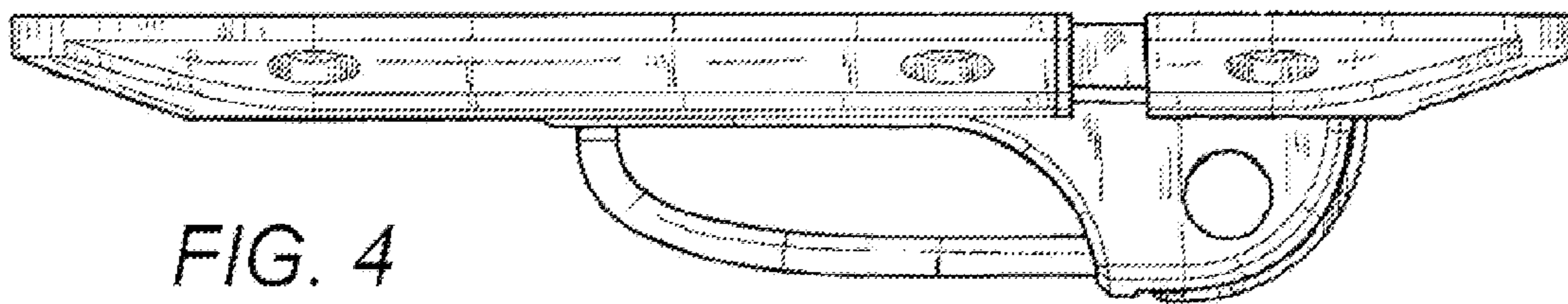


FIG. 4

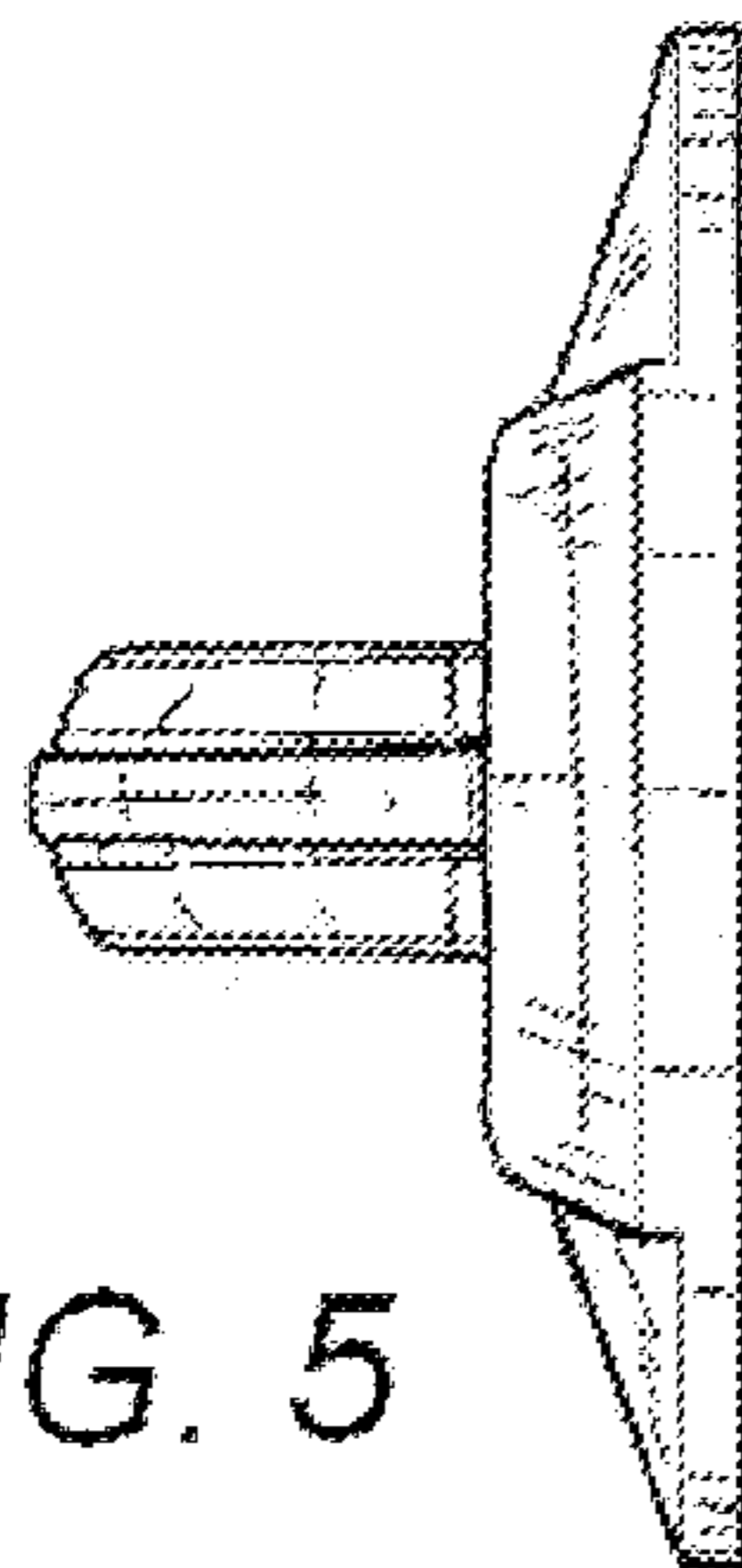


FIG. 5

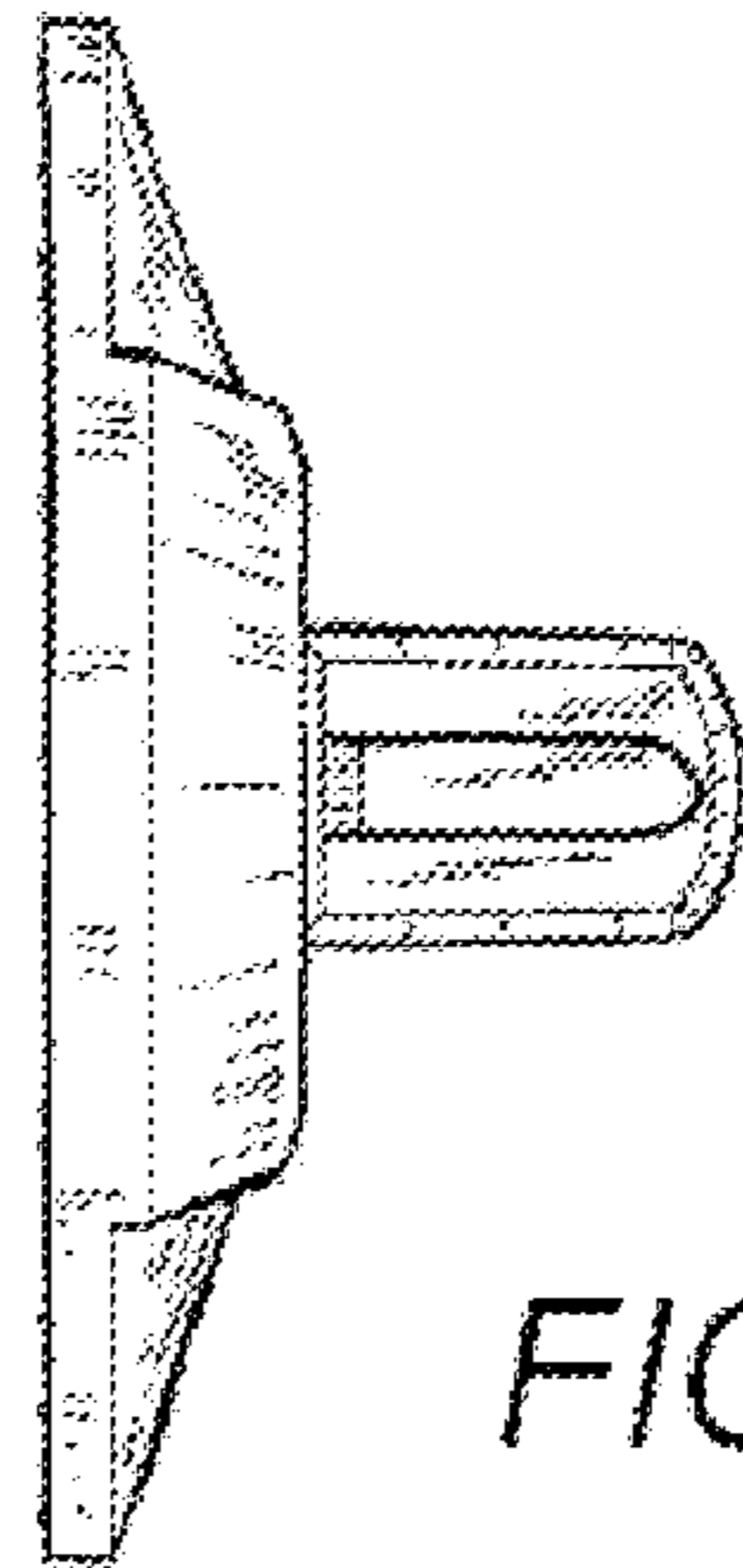


FIG. 6