



US00D637886S

(12) **United States Design Patent**
Bengtson

(10) **Patent No.:** **US D637,886 S**

(45) **Date of Patent:** **** May 17, 2011**

- (54) **APPLIANCE KNOB WITH BEZEL**
- (75) Inventor: **Alan D. Bengtson**, Saint Joseph, MI (US)
- (73) Assignee: **Whirlpool Corporation**, Benton Harbor, MI (US)
- (**) Term: **14 Years**
- (21) Appl. No.: **29/382,689**
- (22) Filed: **Jan. 6, 2011**

Related U.S. Application Data

- (62) Division of application No. 29/359,110, filed on Apr. 6, 2010.
- (51) **LOC (9) Cl.** **08-06**
- (52) **U.S. Cl.** **D8/311**
- (58) **Field of Classification Search** D8/300–303, D8/305–312, 321, DIG. 2; D7/402, 405, D7/393; 74/553, 548, 558.5; 116/309, 315, 116/311, 312, 319, 320; 200/316, 336; 345/156; 16/441, 110 R, 114 R, 121, 118, 414
See application file for complete search history.

(56) **References Cited**

U.S. PATENT DOCUMENTS

1,884,133	A	*	10/1932	Nero	200/336
D145,188	S	*	7/1946	Stewart	D8/311
D146,327	S	*	2/1947	Trombley	D8/311
2,537,782	A	*	1/1951	Meyers	116/309
D162,733	S	*	4/1951	Hitchcock	D8/311
D162,734	S	*	4/1951	Hitchcock	D8/311
D165,672	S	*	1/1952	Stewart	D8/311
D166,874	S	*	5/1952	Reed	D8/311
D198,028	S	*	4/1964	Collins et al.	D8/311
D202,273	S	*	9/1965	Brendgord	D8/311
D203,991	S	*	3/1966	Rosen	D8/311
D208,918	S	*	10/1967	Dole, Jr.	D8/311
D209,145	S	*	11/1967	Hampel et al.	D8/311
D209,591	S	*	12/1967	Hampel et al.	D8/311
D225,204	S	*	11/1972	Marron	D8/311

D233,507	S	*	11/1974	Stevens, Jr.	D9/453
D258,819	S	*	4/1981	Matsuda	D14/265
D344,786	S	*	3/1994	Short et al.	D23/252
D400,778	S	*	11/1998	Holbrook, Jr.	D8/311
D443,496	S	*	6/2001	DeCosse	D8/300
D444,049	S	*	6/2001	Decosse	D8/311
D450,997	S	*	11/2001	Brady	D8/311
D467,489	S	*	12/2002	Rubinson	D8/310
D493,090	S	*	7/2004	Chen et al.	D8/310
D498,657	S	*	11/2004	Milrud et al.	D8/311
D504,300	S	*	4/2005	Chen et al.	D8/310
D510,515	S	*	10/2005	Miller	D8/311
D511,669	S	*	11/2005	Miller	D8/300
D516,407	S	*	3/2006	Grutzke et al.	D8/311
D520,857	S	*	5/2006	Bertani	D8/312
D521,314	S	*	5/2006	Ball	D7/393
D521,801	S	*	5/2006	Huxhold et al.	D7/393
D525,517	S	*	7/2006	Baldwin	D8/310
D525,518	S	*	7/2006	Baldwin	D8/310

(Continued)

Primary Examiner — Mark A Goodwin
(74) *Attorney, Agent, or Firm* — Tara M. Hartman

(57) **CLAIM**

The ornamental design for an appliance knob with bezel, as shown and described.

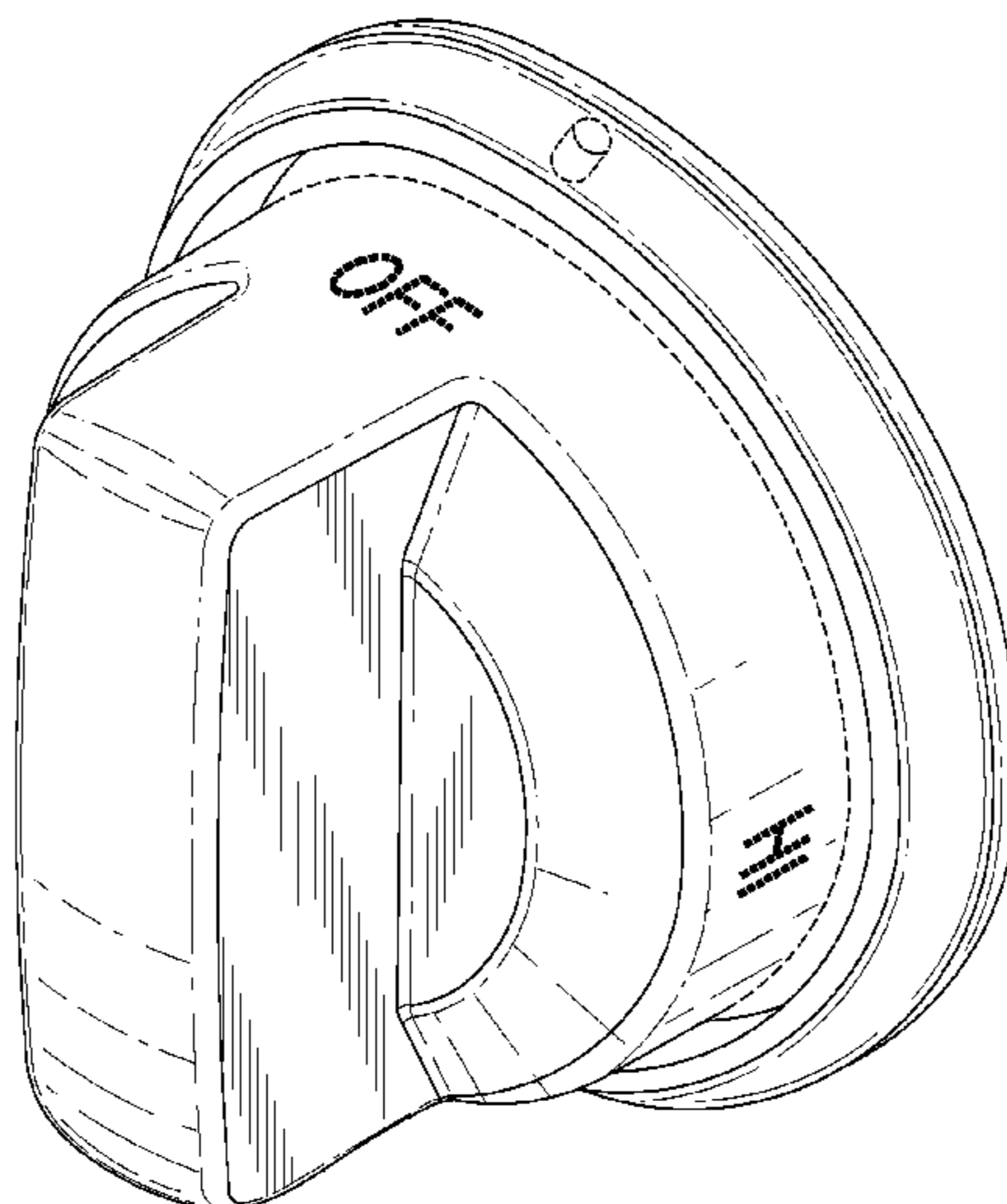
DESCRIPTION

Cross-reference is made to co-pending U.S. Design Patent application Ser. No. 29/359,104 entitled “Appliance Knob,” which was filed on Apr. 6, 2010.

FIG. 1 is a front perspective view of an appliance knob with bezel showing my new design;
FIG. 2 is a front elevational view thereof;
FIG. 3 is a top plan view thereof;
FIG. 4 is a bottom plan view thereof;
FIG. 5 is a first side elevational view thereof; and,
FIG. 6 is a second side elevational view thereof.

The rear elevational views are not shown and form no part of the claimed design. The portion shown in broken lines is for illustrative purposes only and forms no part of the claimed design.

1 Claim, 4 Drawing Sheets



US D637,886 S

Page 2

U.S. PATENT DOCUMENTS

D530,185	S	*	10/2006	Osiecki et al.	D8/343
7,171,727	B2	*	2/2007	Wylie et al.	16/441
D543,828	S	*	6/2007	Strutin-Belinoff et al.	D8/310
D564,980	S	*	3/2008	Browne et al.	D13/174
D567,060	S	*	4/2008	Busalt et al.	D8/310
D577,983	S	*	10/2008	Martin et al.	D8/311
D587,556	S	*	3/2009	Marks	D8/312
2004/0107545	A1	*	6/2004	Worrell	16/441
2005/0241112	A1	*	11/2005	Worrell	16/433

* cited by examiner

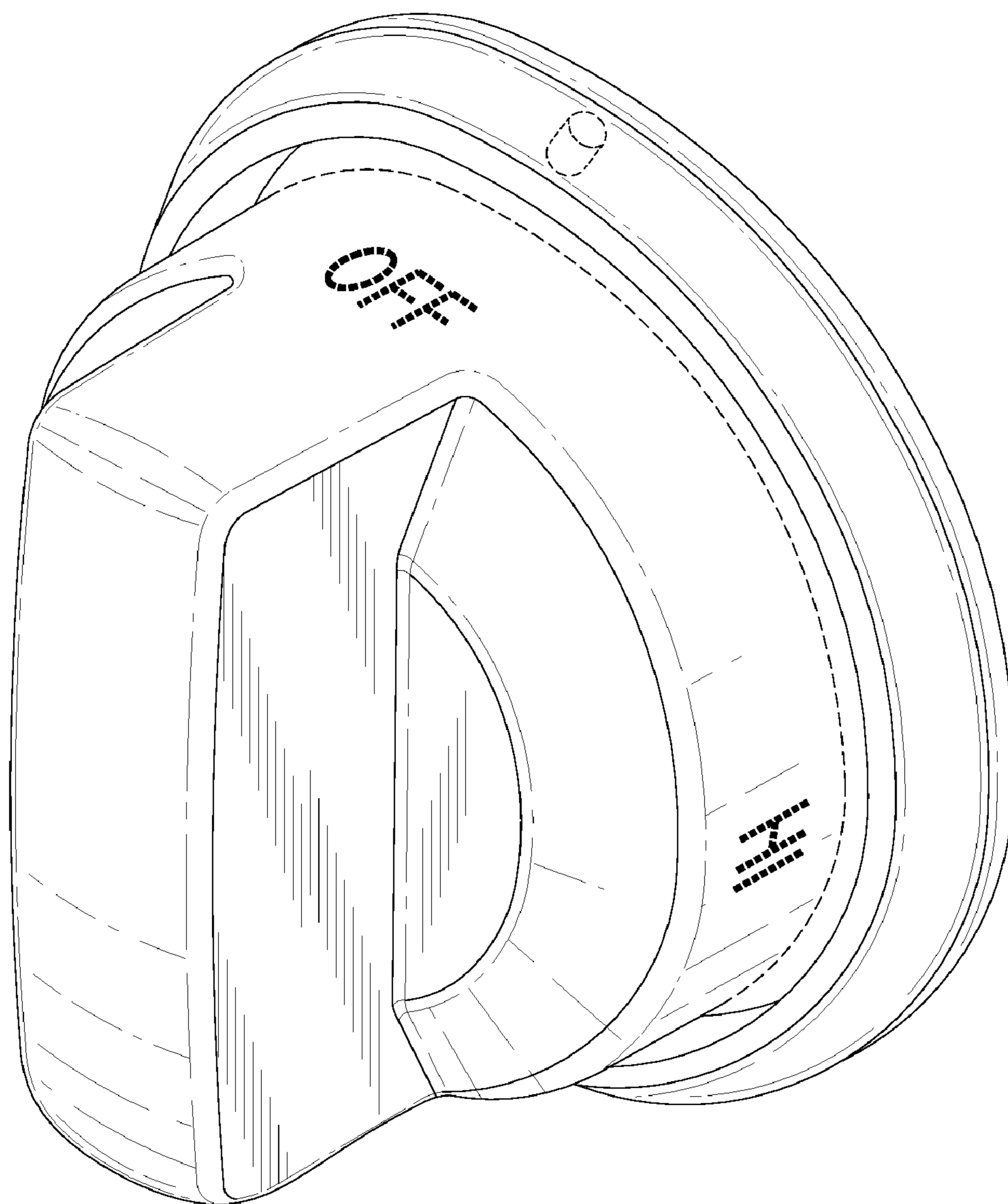


FIG. 1

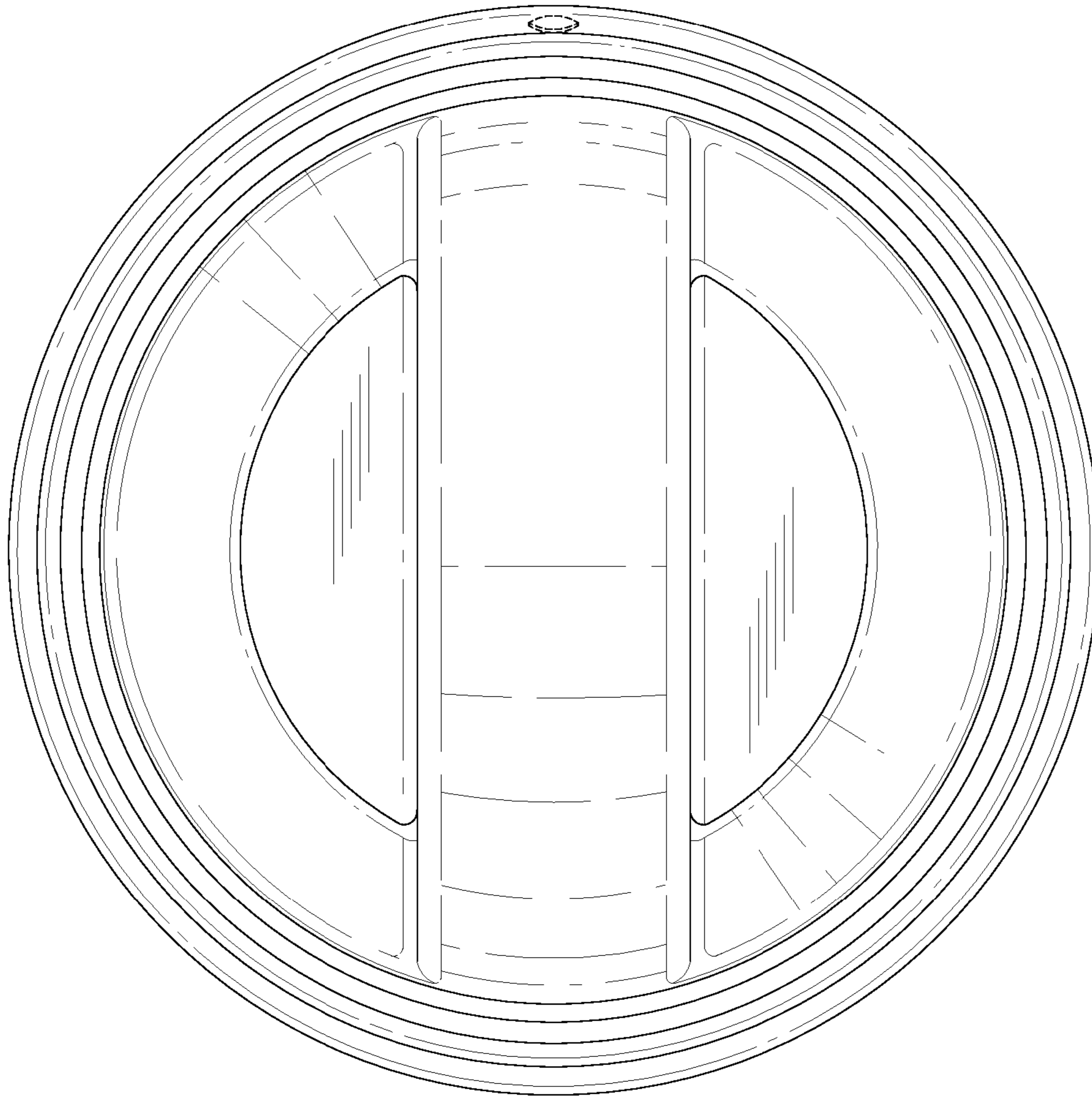


FIG. 2

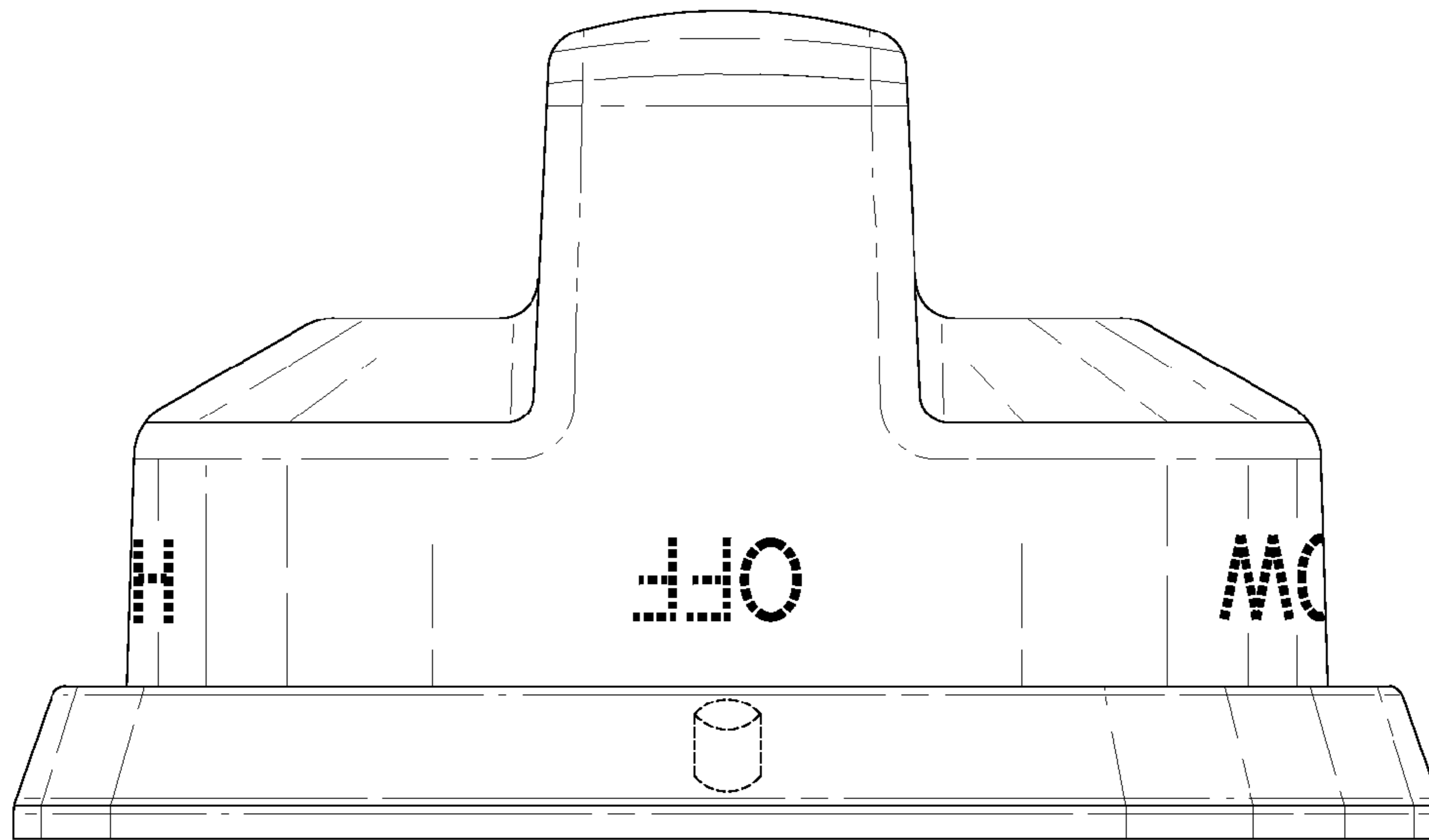


FIG. 3

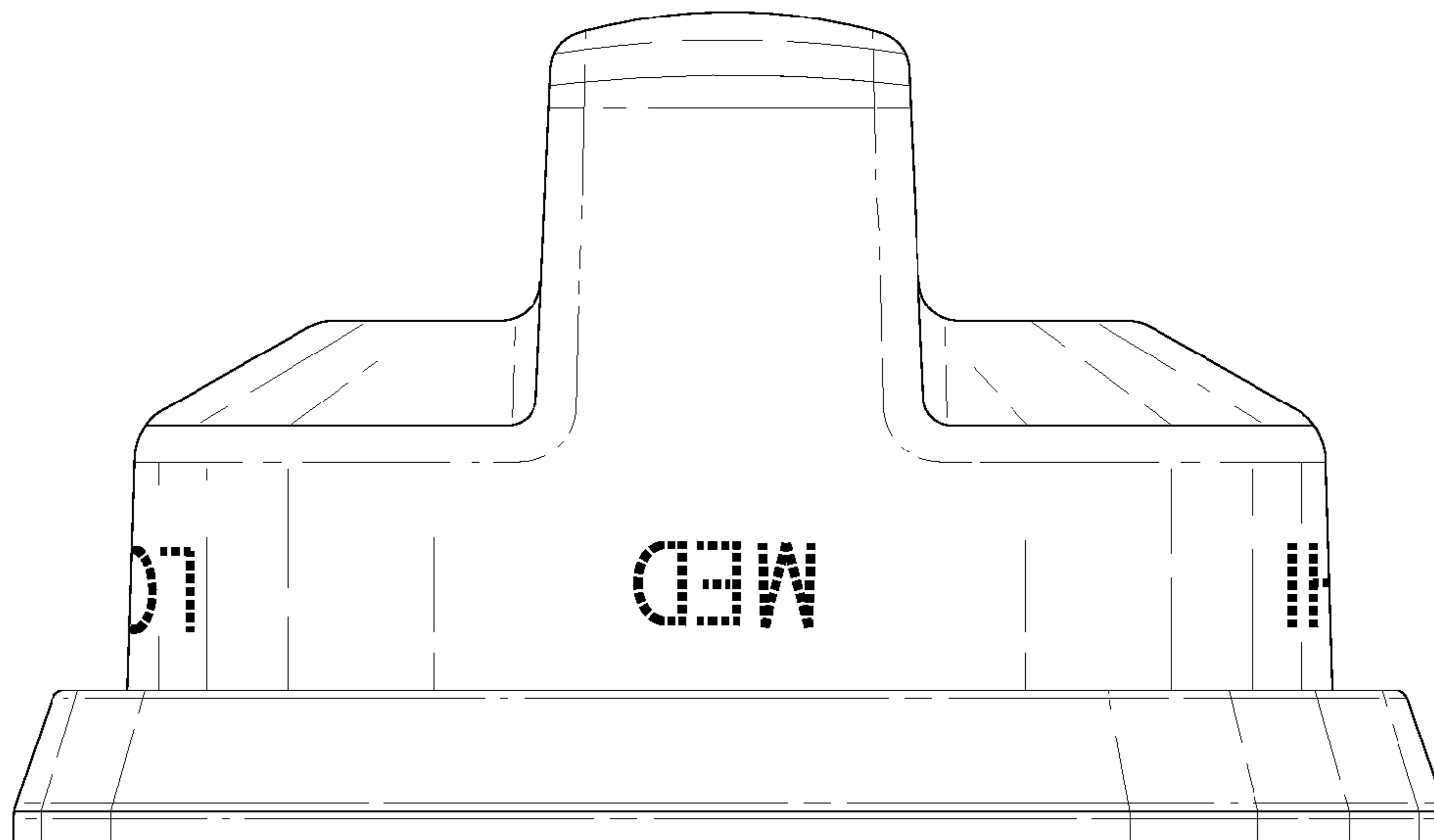


FIG. 4

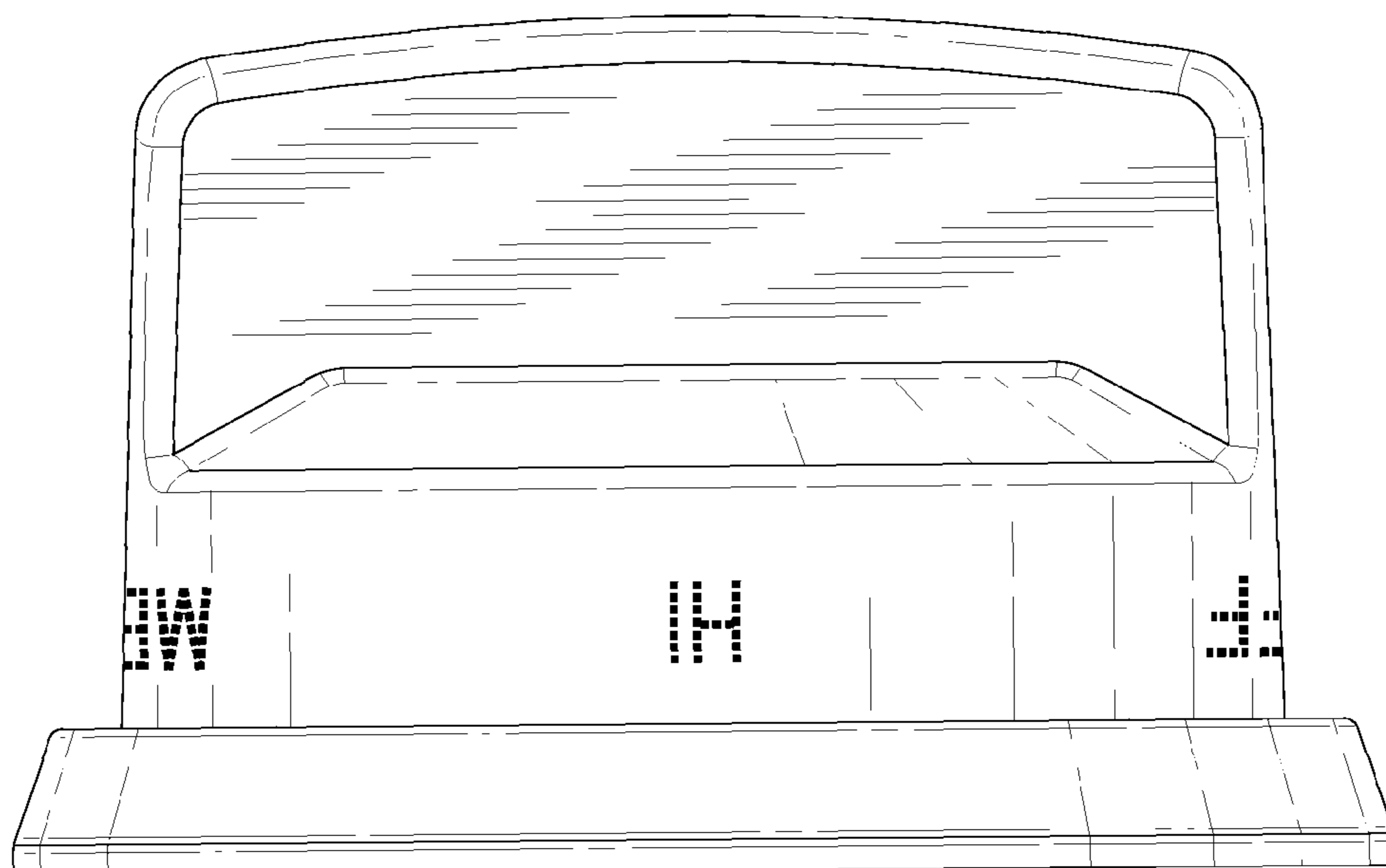


FIG. 5

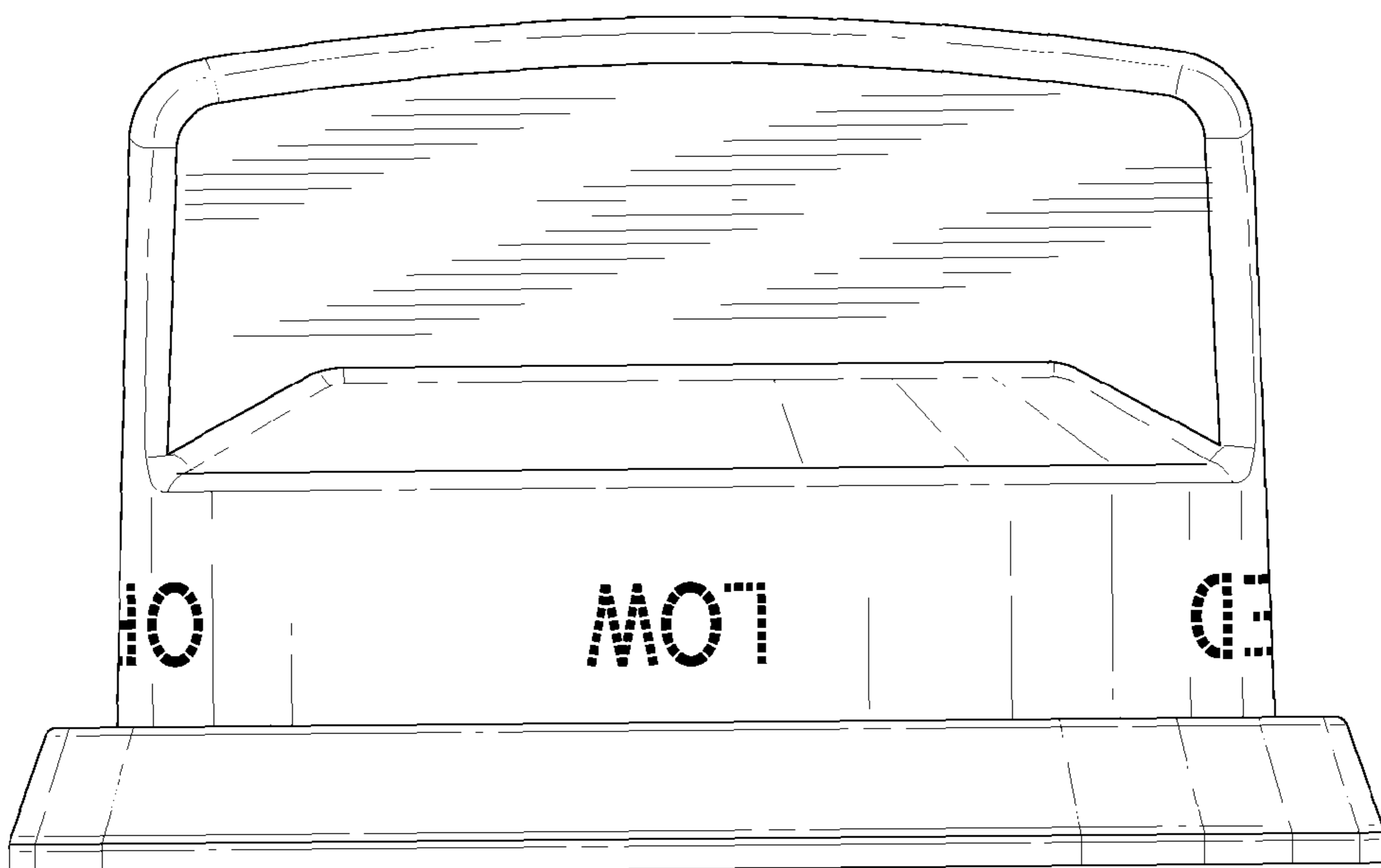


FIG. 6