



US00D637883S

(12) **United States Design Patent**
Yu Chen

(10) **Patent No.:** **US D637,883 S**

(45) **Date of Patent:** **** May 17, 2011**

(54) **CUTTER**

(76) **Inventor:** **Hsiu-Man Yu Chen**, Tan Tzu Township,
Taichung County (TW)

(**) **Term:** **14 Years**

(21) **Appl. No.:** **29/359,872**

(22) **Filed:** **Apr. 16, 2010**

(51) **LOC (9) Cl.** **08-03**

(52) **U.S. Cl.** **D8/98**

(58) **Field of Classification Search** D8/98,
D8/99, 102; 30/89, 294–295, 335–336; D7/649,
D7/650

See application file for complete search history.

(56) **References Cited**

U.S. PATENT DOCUMENTS

3,751,806	A *	8/1973	Patrick	30/294
D230,007	S *	1/1974	Cramer et al.	D8/98
3,824,688	A *	7/1974	Goffe	30/294
D244,576	S *	6/1977	Van Alstine	D8/107
D269,154	S *	5/1983	Freedman et al.	D8/98
4,553,737	A *	11/1985	Yi	254/28
4,604,804	A *	8/1986	Sparks	30/294
4,680,861	A *	7/1987	Meurer	30/298.4
5,046,253	A *	9/1991	Ireland	30/289
D329,368	S *	9/1992	Desrochers	D8/102
D334,702	S *	4/1993	Godsey	D8/104
D362,168	S *	9/1995	Mancini	D8/98
5,768,787	A *	6/1998	Ireland	30/294
D438,440	S *	3/2001	Cheldin	D8/48
D470,030	S *	2/2003	Swier	D8/98
D474,654	S *	5/2003	Hasegawa	D7/649
D481,609	S *	11/2003	Perlmutter et al.	D8/99

D498,404	S *	11/2004	Schmidt	D8/98
D514,916	S *	2/2006	Craig	D8/102
7,003,884	B2 *	2/2006	Perlmutter et al.	30/162
D543,948	S *	6/2007	Montena	D13/154
D554,965	S *	11/2007	Moore	D8/102
D576,857	S *	9/2008	Mandel	D8/102
D590,687	S *	4/2009	Ireland	D8/98
7,818,885	B2 *	10/2010	Lafauci et al.	30/294

OTHER PUBLICATIONS

Knurled Finish on Aluminum. Downloaded Nov. 29, 2010 at <http://www.google.com/imgres?imgurl=http://www.norcorp.com/Portals/60349/images/k...>*

* cited by examiner

Primary Examiner — Phillip S Hyder

Assistant Examiner — Roselynn Cody

(74) *Attorney, Agent, or Firm* — Ming Chow; Sinorica, LLC

(57) **CLAIM**

I claim the ornamental design for a cutter, as shown and described.

DESCRIPTION

FIG. 1 is a front perspective view of a cutter showing my new design;

FIG. 2 is a front elevational view thereof;

FIG. 3 is a rear elevational view thereof.

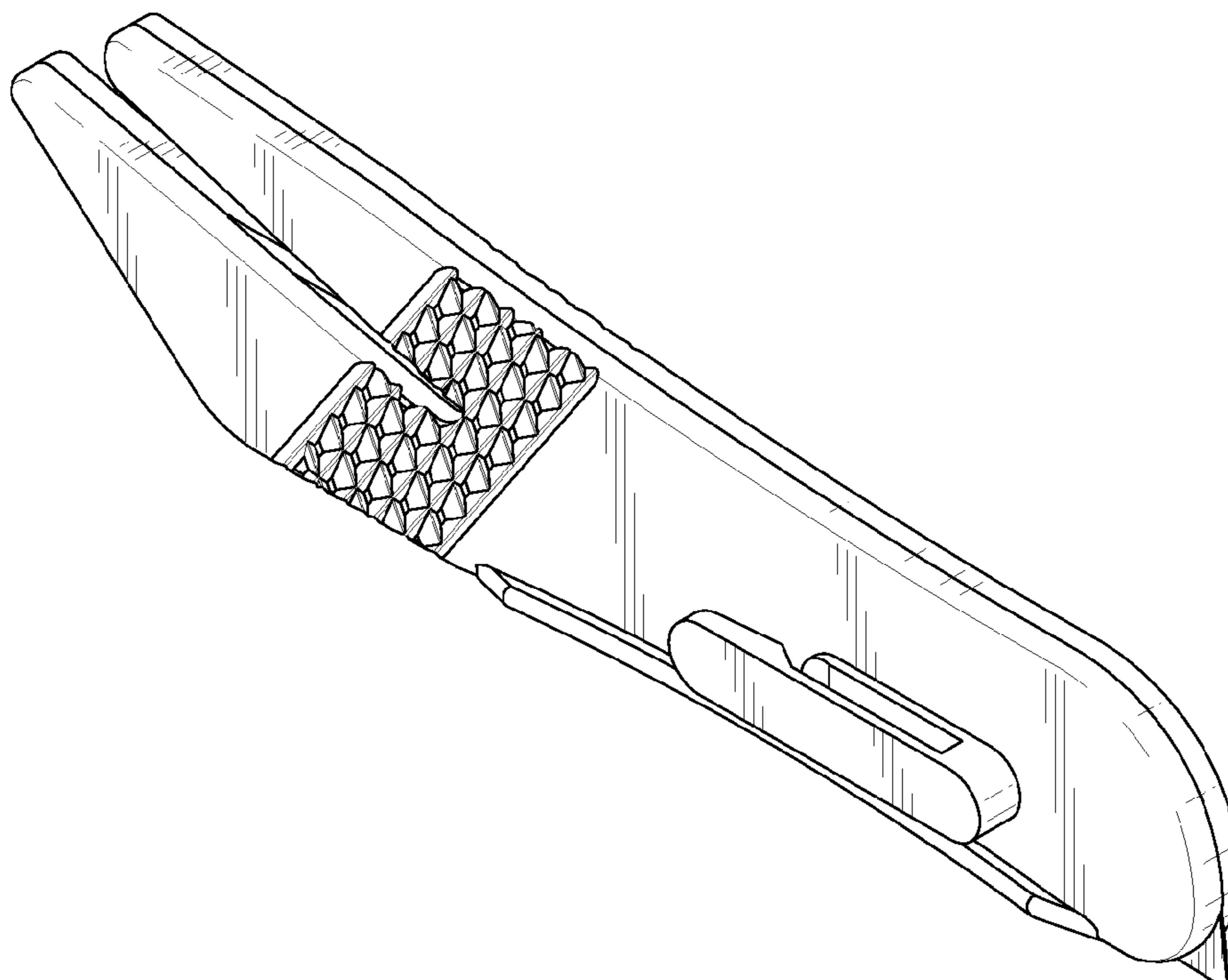
FIG. 4 is a left side elevational view thereof;

FIG. 5 is a right side elevational view thereof;

FIG. 6 is a top plan view thereof; and,

FIG. 7 is a bottom plan view thereof.

1 Claim, 4 Drawing Sheets



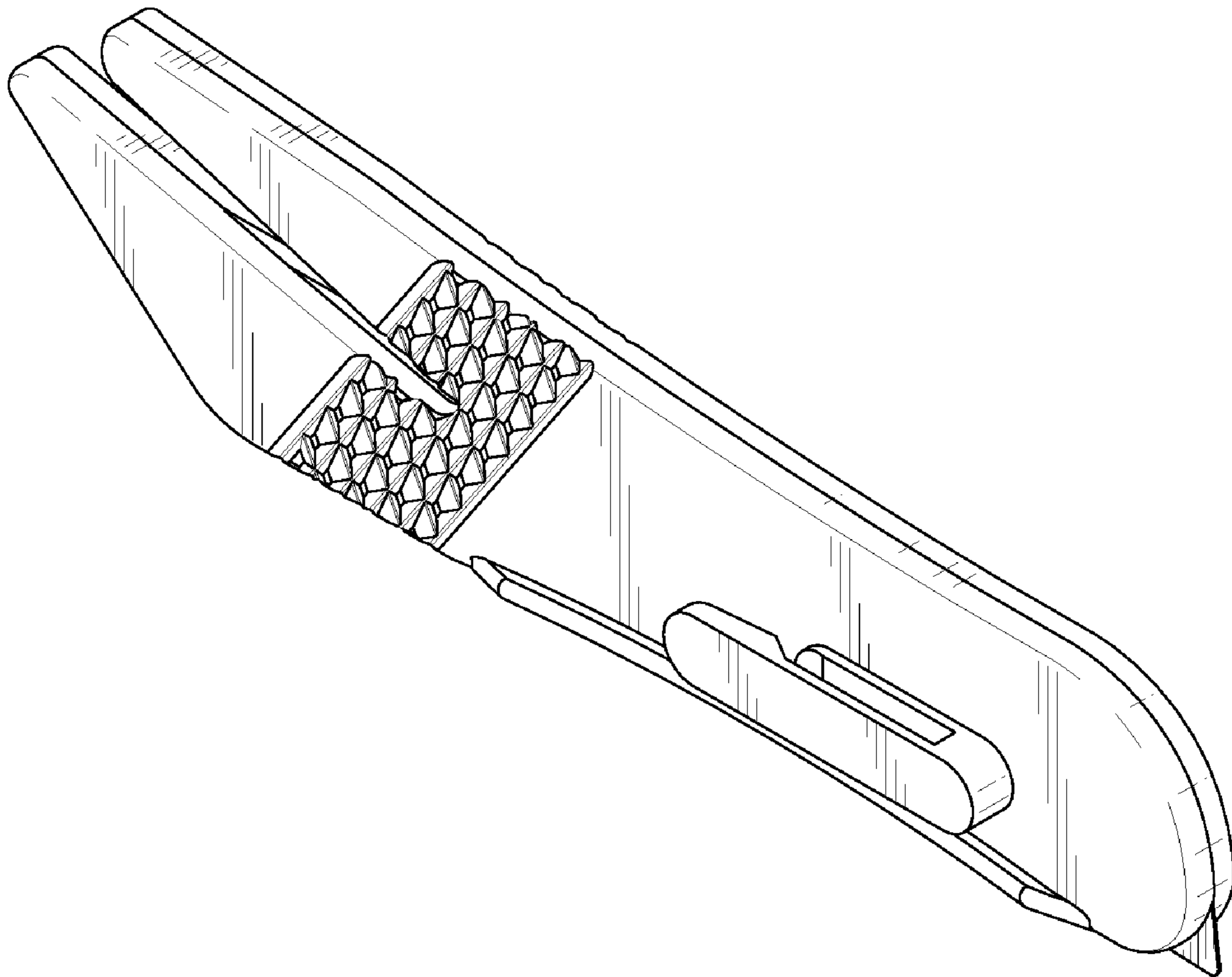


FIG. 1

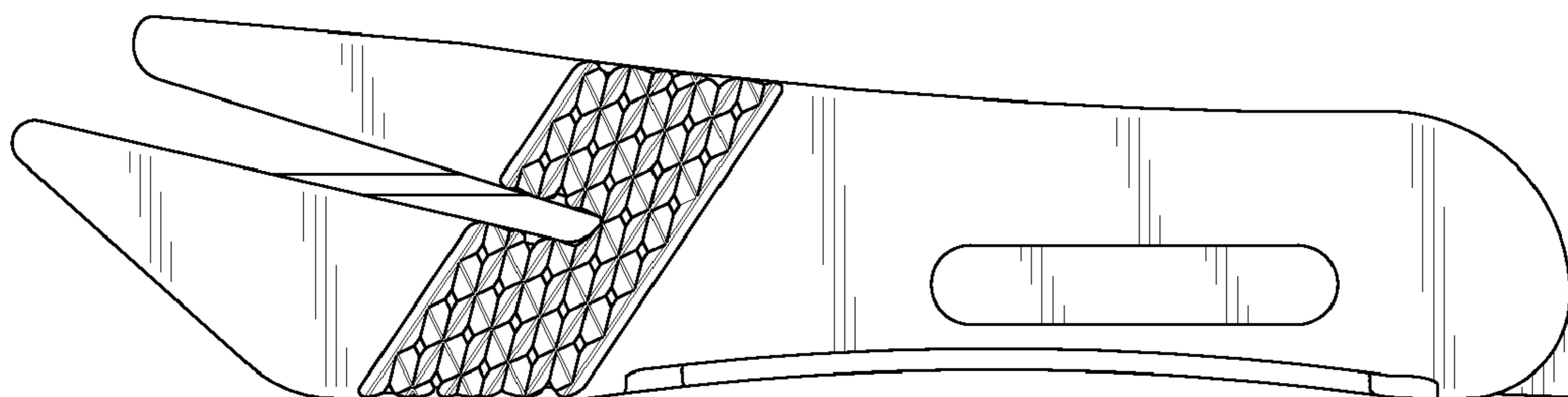


FIG. 2

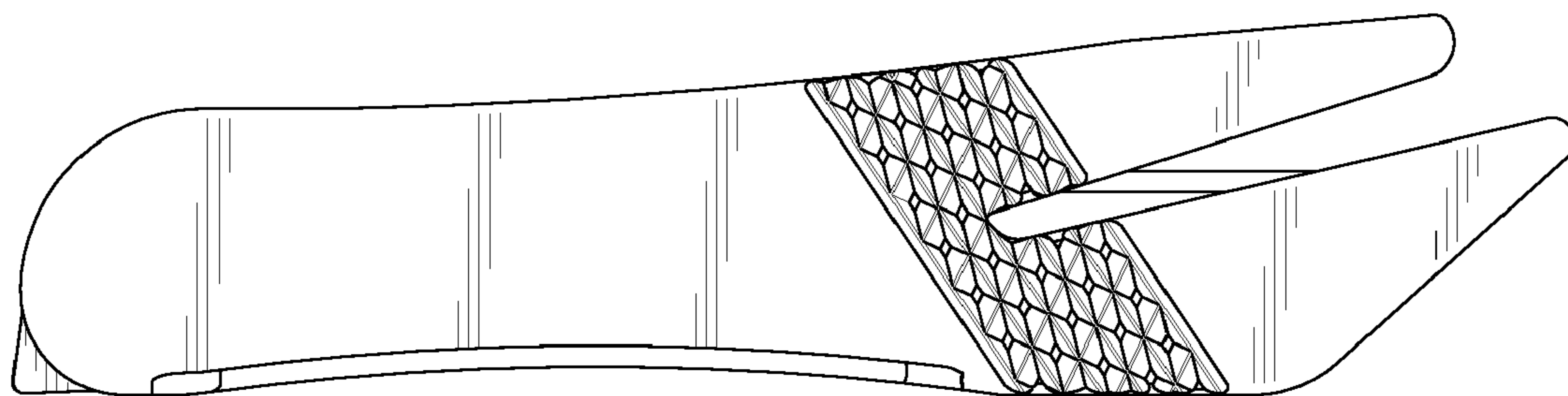


FIG. 3

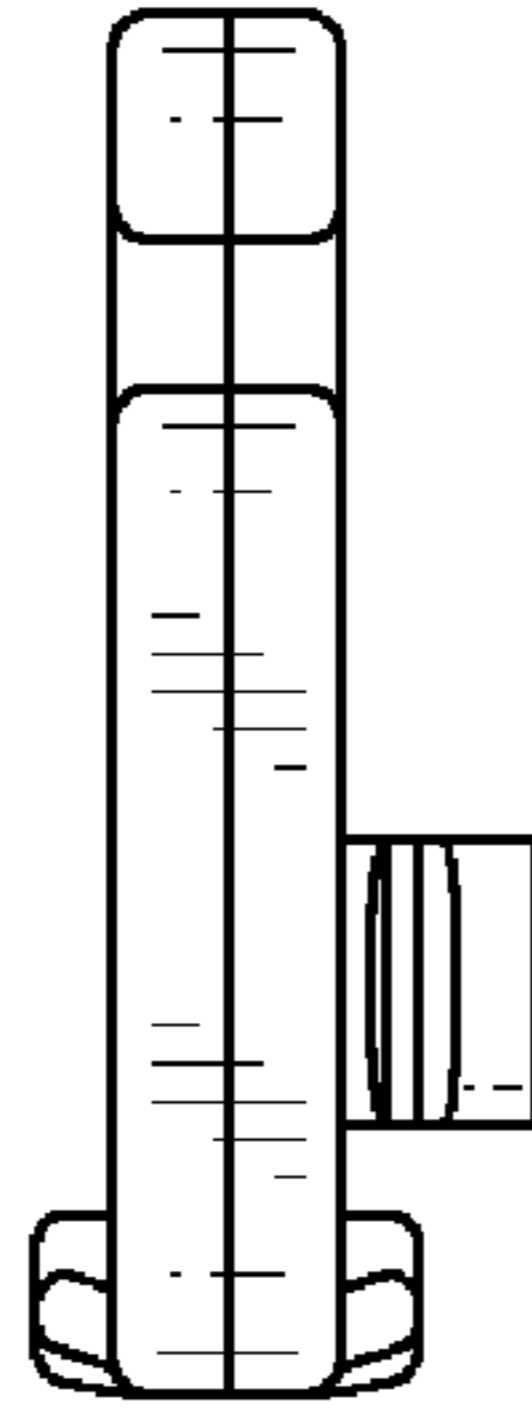


FIG. 4

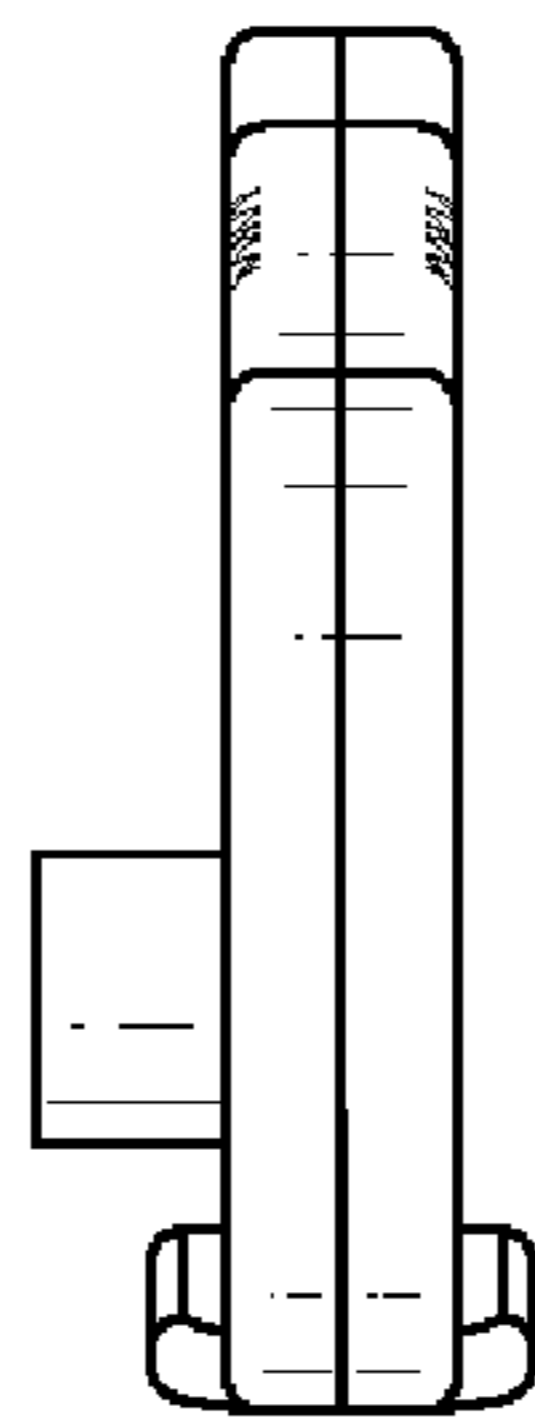


FIG. 5



FIG. 6

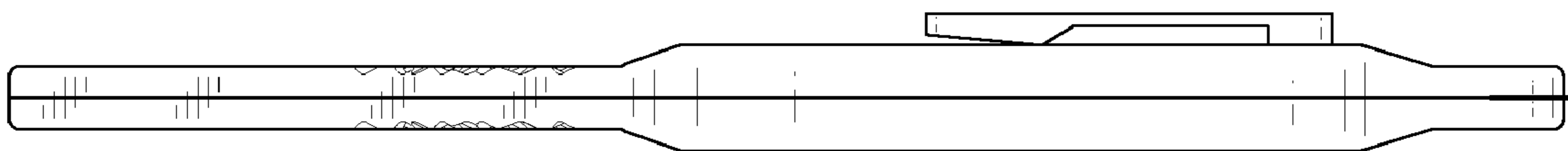


FIG. 7