



US00D637880S

(12) **United States Design Patent**
Kenny et al.

(10) **Patent No.:** **US D637,880 S**
(45) **Date of Patent:** **** May 17, 2011**

(54) **DRILL TIP**

(75) Inventors: **Matthew Kenny**, Hamilton (AU);
Steven Weaver, Fletcher (AU)

(73) Assignee: **Sandvik Intellectual Property AB**,
Sandviken (SE)

(**) Term: **14 Years**

(21) Appl. No.: **29/352,152**

(22) Filed: **Dec. 17, 2009**

(30) **Foreign Application Priority Data**

Jun. 19, 2009 (AU) 12216/2009

(51) **LOC (9) Cl.** **08-05**

(52) **U.S. Cl.** **D8/70; D15/139**

(58) **Field of Classification Search** D8/70;
D15/139; 175/417, 420.1; 405/259.1; 411/387.1,
411/387.5, 395

See application file for complete search history.

(56) **References Cited**

U.S. PATENT DOCUMENTS

5,433,281	A *	7/1995	Black	175/420.1
6,309,159	B1	10/2001	Weaver et al.	
6,945,340	B2 *	9/2005	Bise et al.	175/430
7,051,822	B2	5/2006	Barry	
D624,097	S *	9/2010	Kenny et al.	D15/139
2002/0053473	A1 *	5/2002	Knoller	175/417
2004/0089481	A1 *	5/2004	Bise et al.	175/427
2004/0245023	A1 *	12/2004	Barry	175/420.1
2007/0000701	A1 *	1/2007	Weaver	175/420.1

FOREIGN PATENT DOCUMENTS

AU 104790 S 8/1989

OTHER PUBLICATIONS

English translation of Russian Office Action mailed issued in Russian Application No. 2009503412.

* cited by examiner

Primary Examiner — Antoine D Davis

(74) *Attorney, Agent, or Firm* — Drinker Biddle & Reath LLP

(57) **CLAIM**

We claim the ornamental design for a drill tip, as shown and described.

DESCRIPTION

FIG. 1 shows a drill tip in a front view.

FIG. 2 shows a side view from the left side of the drill tip in FIG. 1.

FIG. 3 shows a side view from the right side of the drill tip in FIG. 1.

FIG. 4 shows the drill tip in a rear view of the drill tip in FIG. 1.

FIG. 5 shows a top view from the upper side of the drill tip in FIG. 1.

FIG. 6 shows a perspective front view of the drill tip for percussive drilling; and,

FIG. 7 shows a bottom view of the drill tip for percussive drilling.

1 Claim, 2 Drawing Sheets

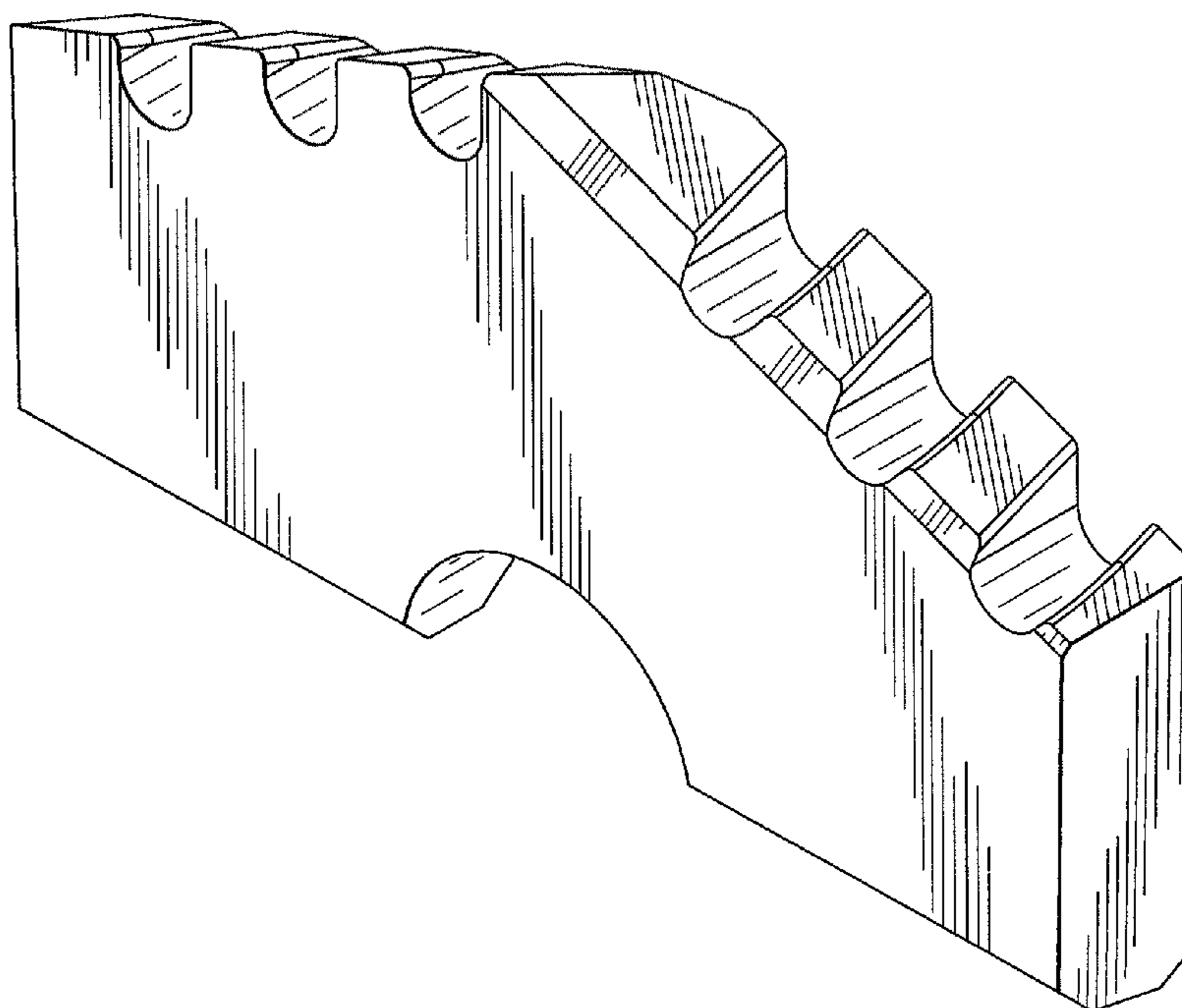


FIG. 1

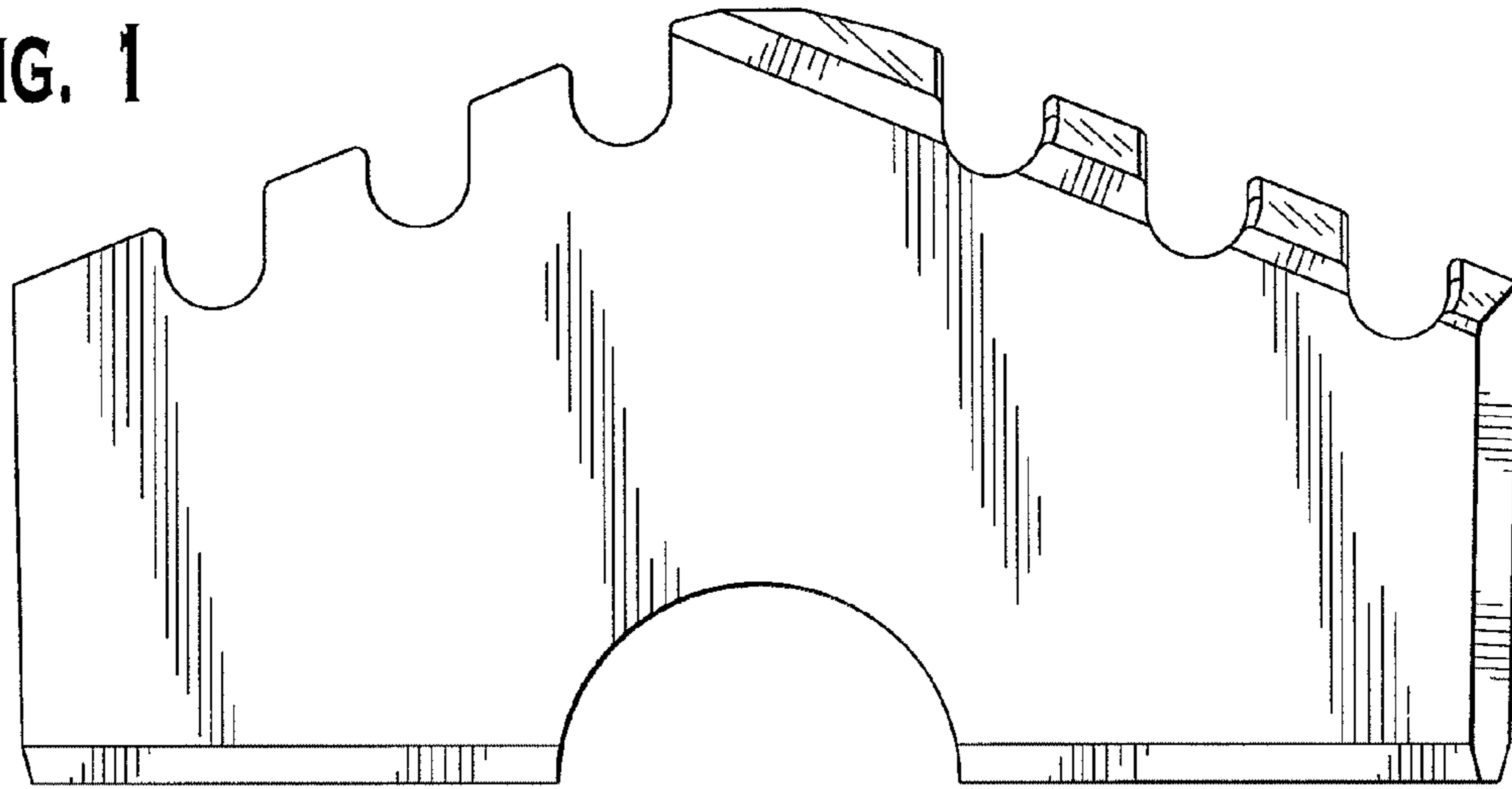


FIG. 2

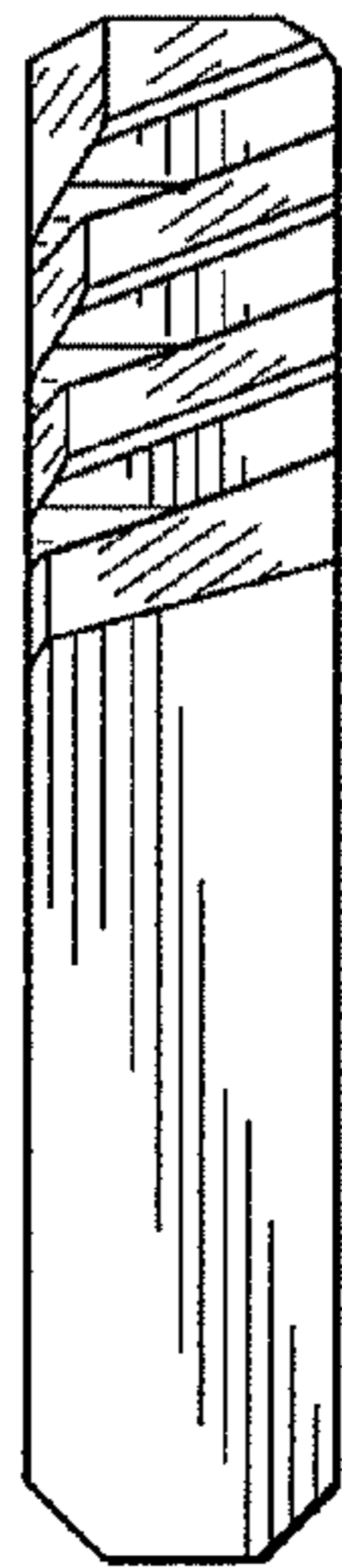


FIG. 3

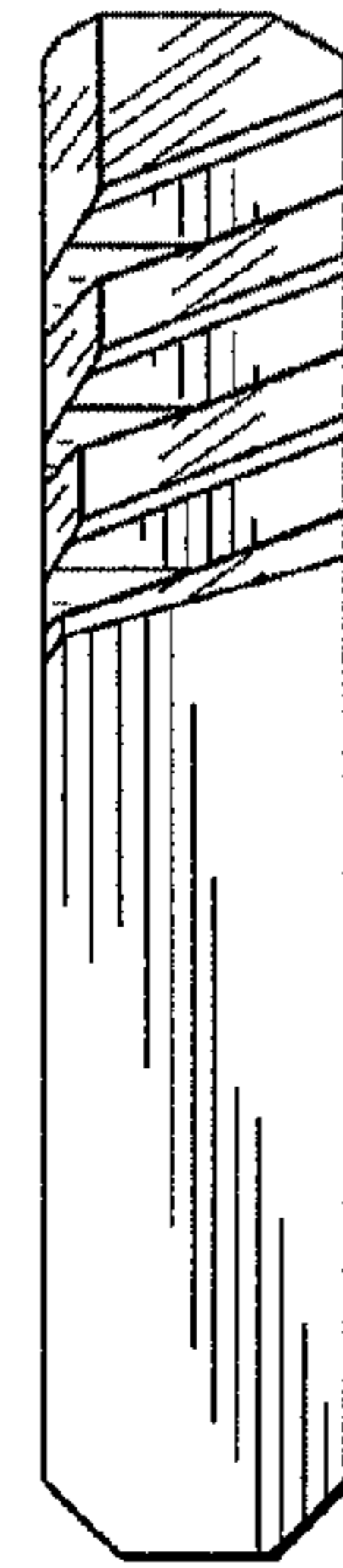


FIG. 4

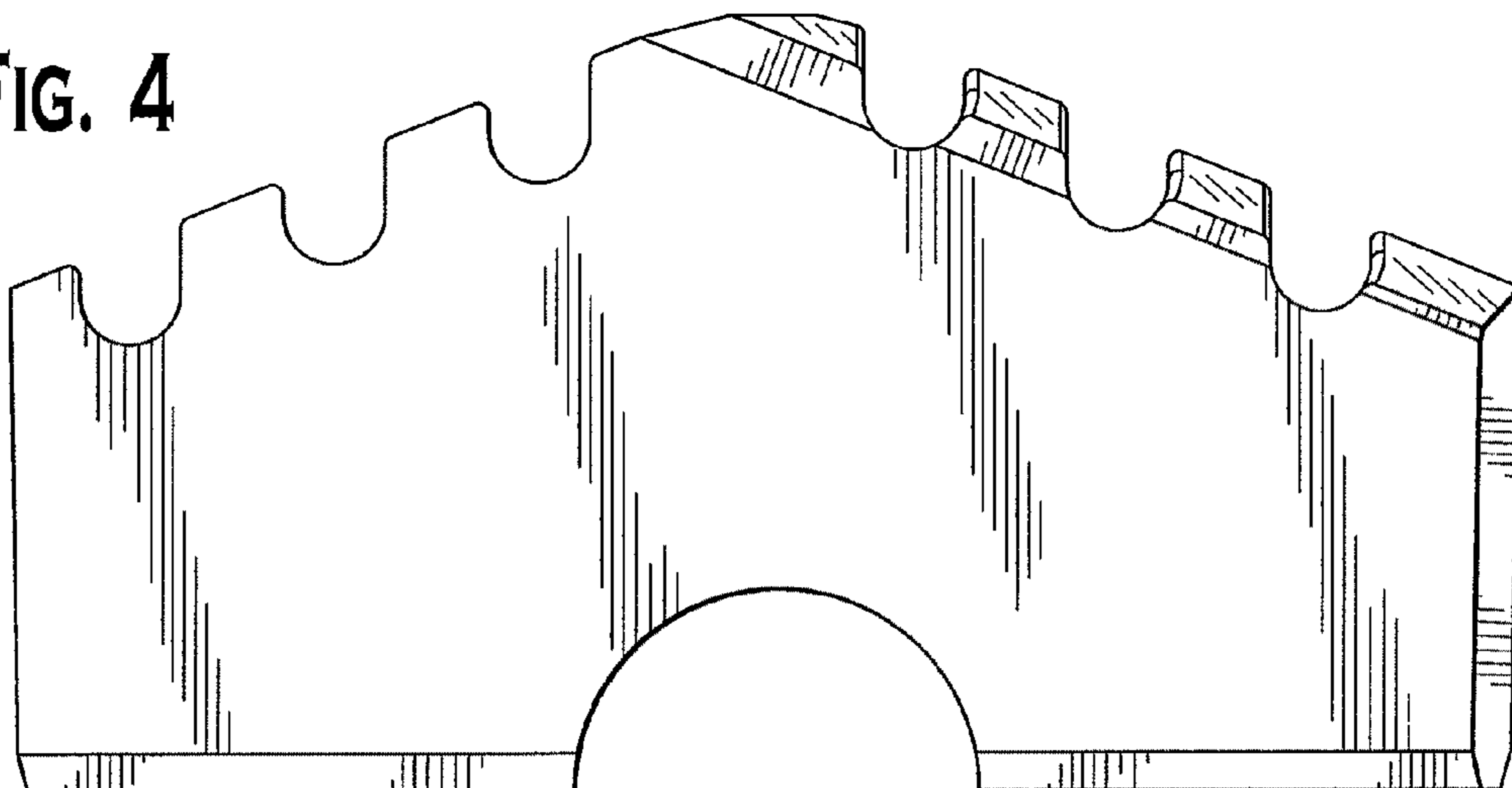


FIG. 5

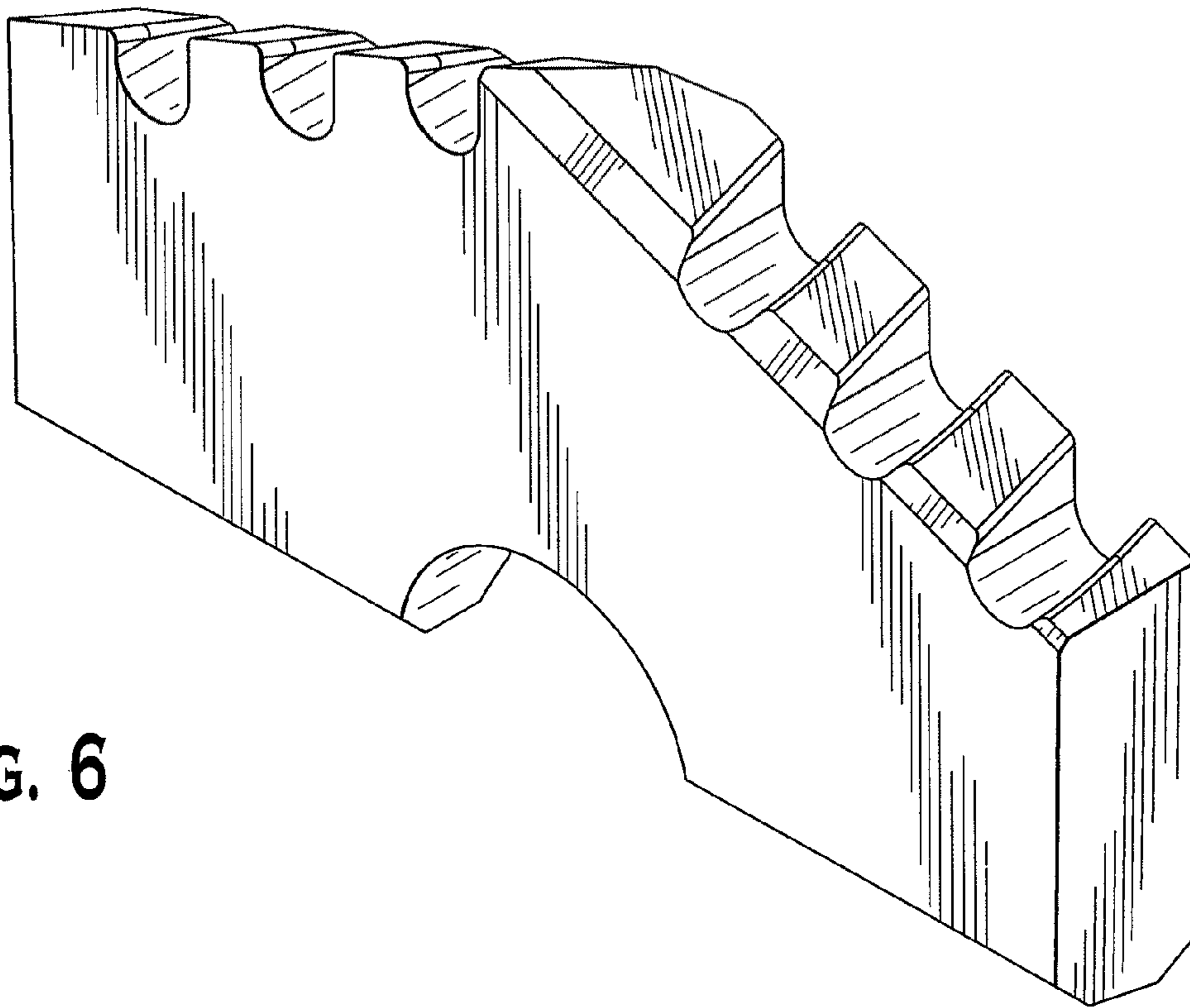
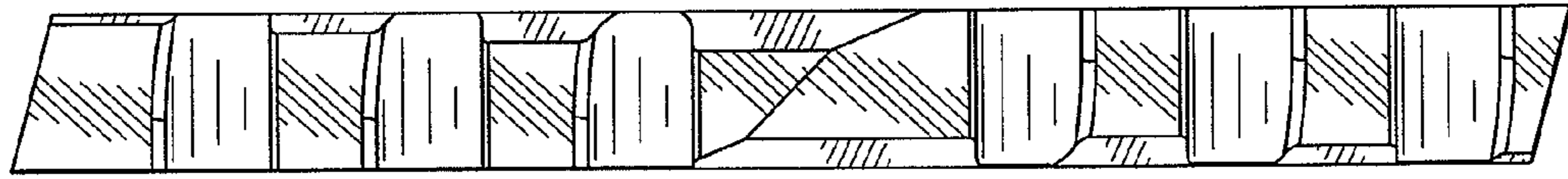


FIG. 6

FIG. 7

