



US00D637879S

(12) **United States Design Patent**
Kawase et al.

(10) **Patent No.:** **US D637,879 S**

(45) **Date of Patent:** **** May 17, 2011**

(54) **PORTABLE ELECTRIC PLANER**

(75) Inventors: **Tomonori Kawase**, Aichi-Ken (JP);
Meisheng Yang, Jiangsu (CN); **Fuzhi Zhang**, Jiangsu (CN)

(73) Assignee: **Makita Corporation**, Anjo-shi (JP)

(**) Term: **14 Years**

(21) Appl. No.: **29/382,045**

(22) Filed: **Dec. 28, 2010**

(30) **Foreign Application Priority Data**

Jul. 1, 2010 (JP) D2010-016146

(51) **LOC (9) Cl.** **08-01**

(52) **U.S. Cl.** **D8/62**

(58) **Field of Classification Search** D8/61,
D8/62; D32/15, 17, 19; D14/102; 451/456,
451/451, 359, 358, 357, 356, 355, 354, 353,
451/351, 344

See application file for complete search history.

(56) **References Cited**

U.S. PATENT DOCUMENTS

D413,779 S *	9/1999	Hayakawa et al.	D8/62
D475,594 S *	6/2003	Bian	D8/62
D495,574 S *	9/2004	Schoen	D8/62
D501,775 S *	2/2005	Tillman et al.	D8/62
D508,833 S *	8/2005	Brazell et al.	D8/62
D509,117 S *	9/2005	Tillman et al.	D8/62

D509,721 S *	9/2005	Park	D8/62
D512,619 S *	12/2005	Aglassinger	D8/62
7,018,280 B2 *	3/2006	Walker	451/355
D528,388 S *	9/2006	Andriolo et al.	D8/62
D529,357 S *	10/2006	Qiu	D8/62
D540,133 S *	4/2007	Corcoran	D8/62
D592,025 S *	5/2009	Snowball	D8/62
D598,261 S *	8/2009	Waldron	D8/62
D601,874 S *	10/2009	Hayakawa et al.	D8/62
D603,673 S *	11/2009	Netzler	D8/62
D607,291 S *	1/2010	Rosenau	D8/62

* cited by examiner

Primary Examiner — Austin Murphy

(74) *Attorney, Agent, or Firm* — Oliff & Berridge, PLC

(57) **CLAIM**

The ornamental design for a portable electric planer, as shown and described.

DESCRIPTION

FIG. 1 is a perspective view of the front, top and left side of a portable electric planer showing our new design;

FIG. 2 is a front view thereof;

FIG. 3 is a rear view thereof;

FIG. 4 is a top plan view thereof;

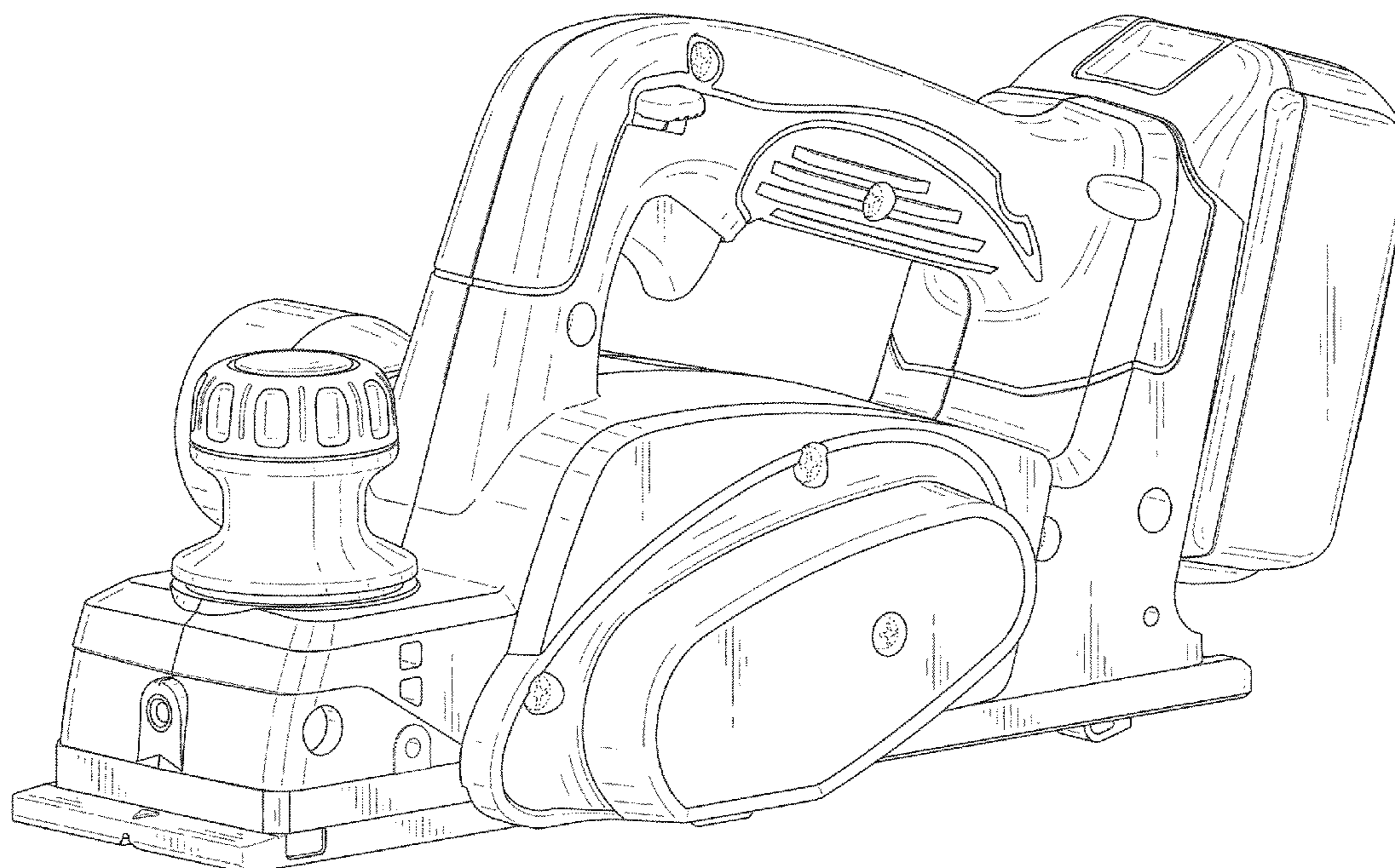
FIG. 5 is a bottom view thereof;

FIG. 6 is a left side view thereof; and,

FIG. 7 is a right side view thereof.

The portions shown in broken lines are for illustrative purposes only and form no part of the claimed design.

1 Claim, 6 Drawing Sheets



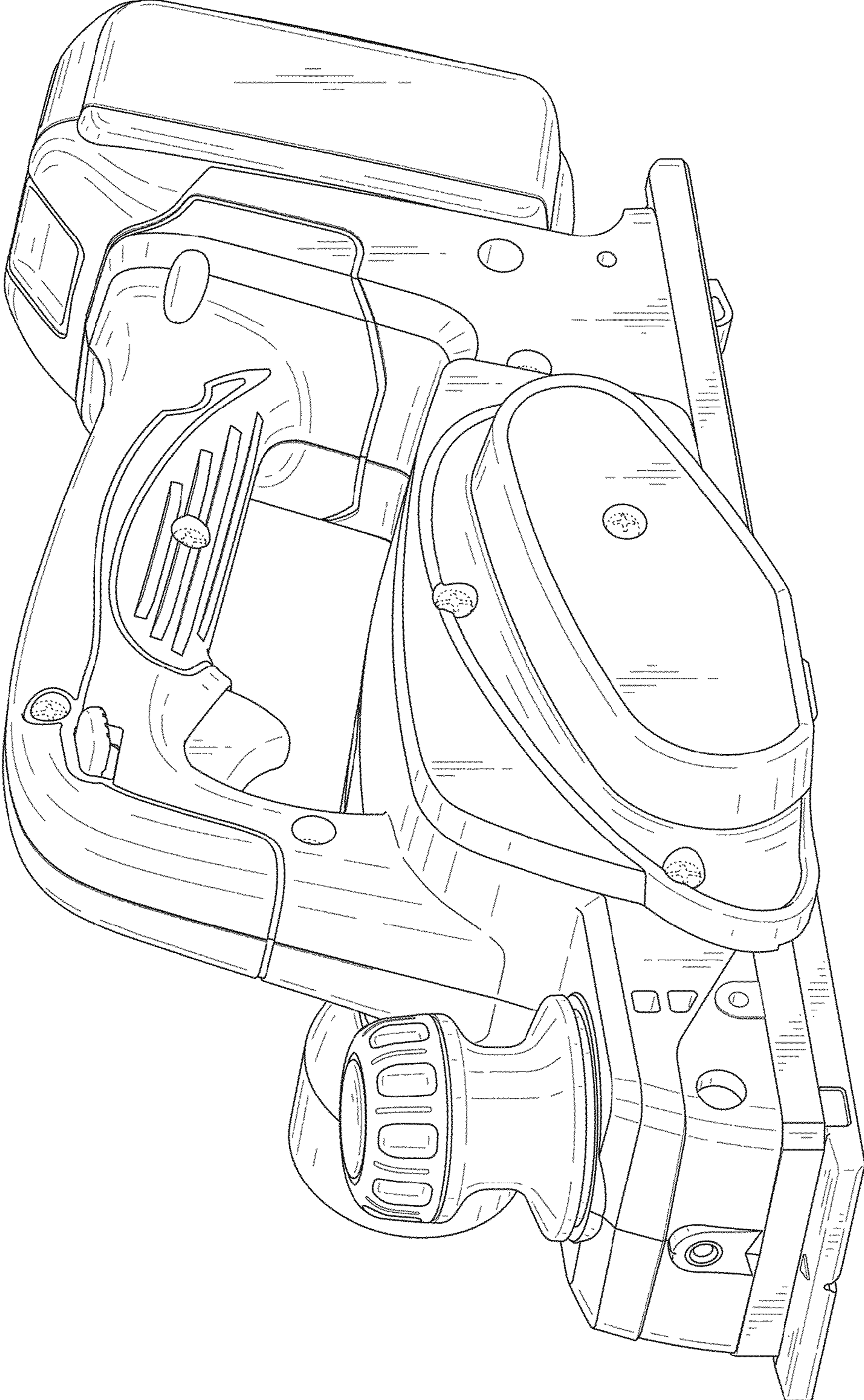


FIG. 1

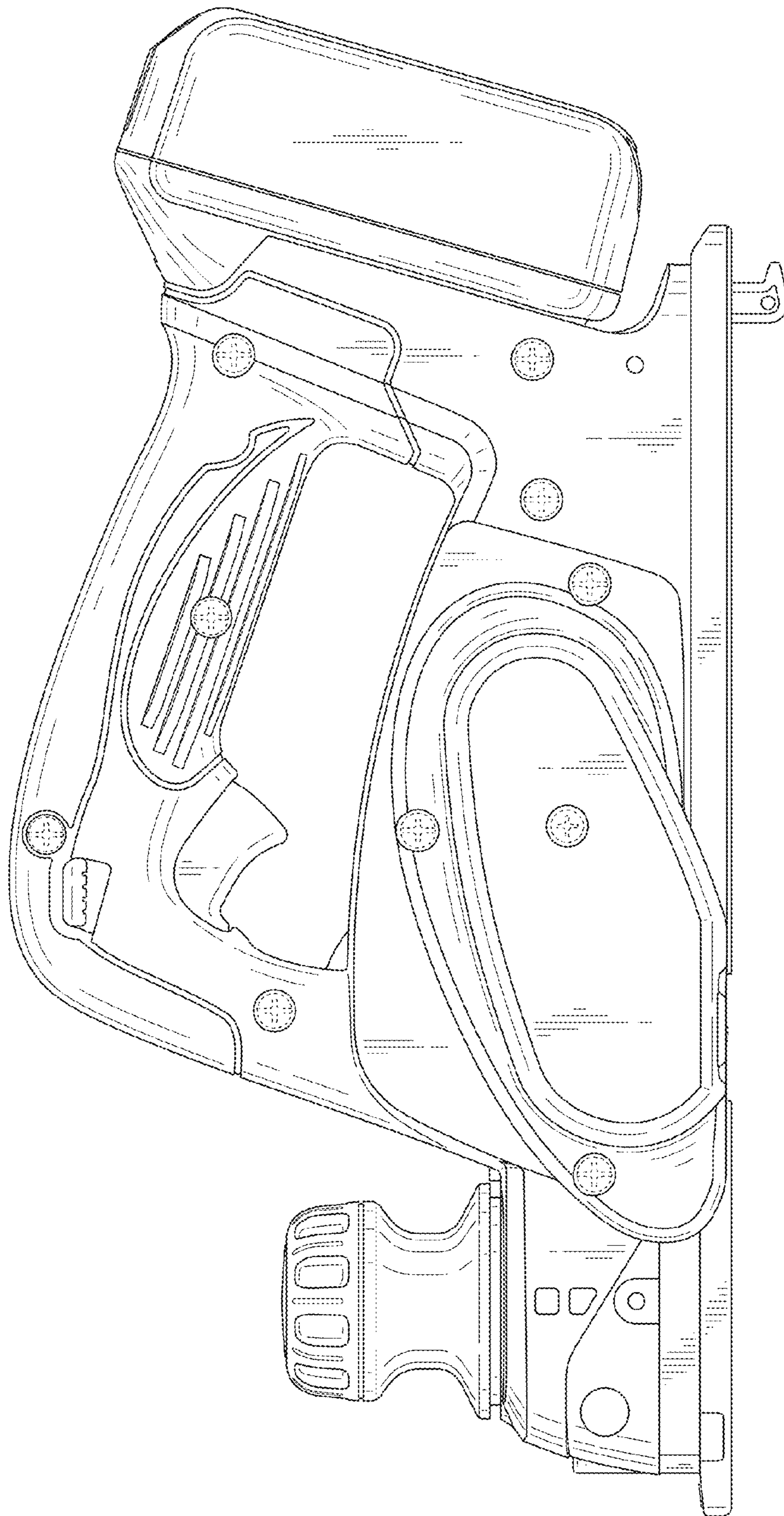


FIG. 2

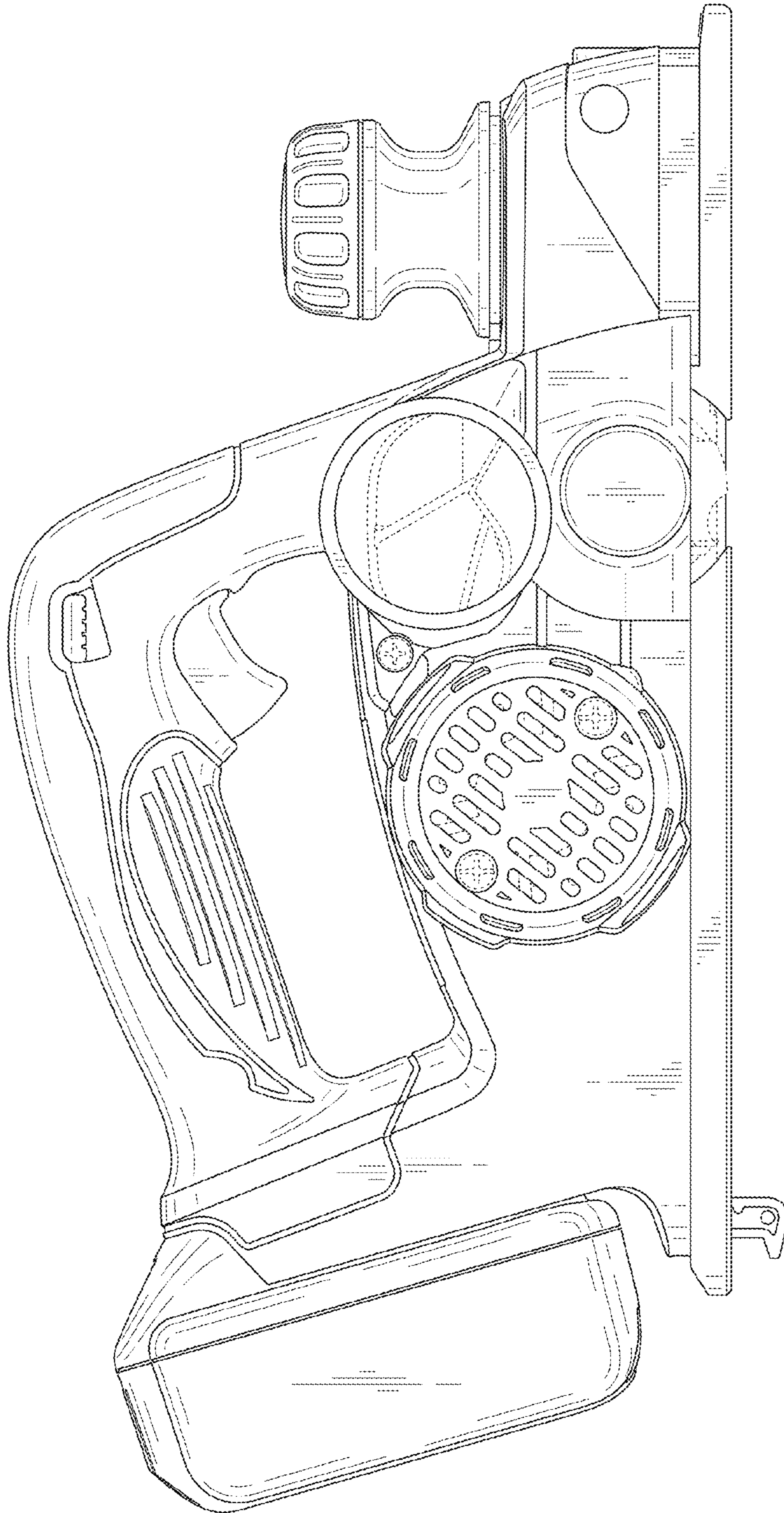


FIG. 3

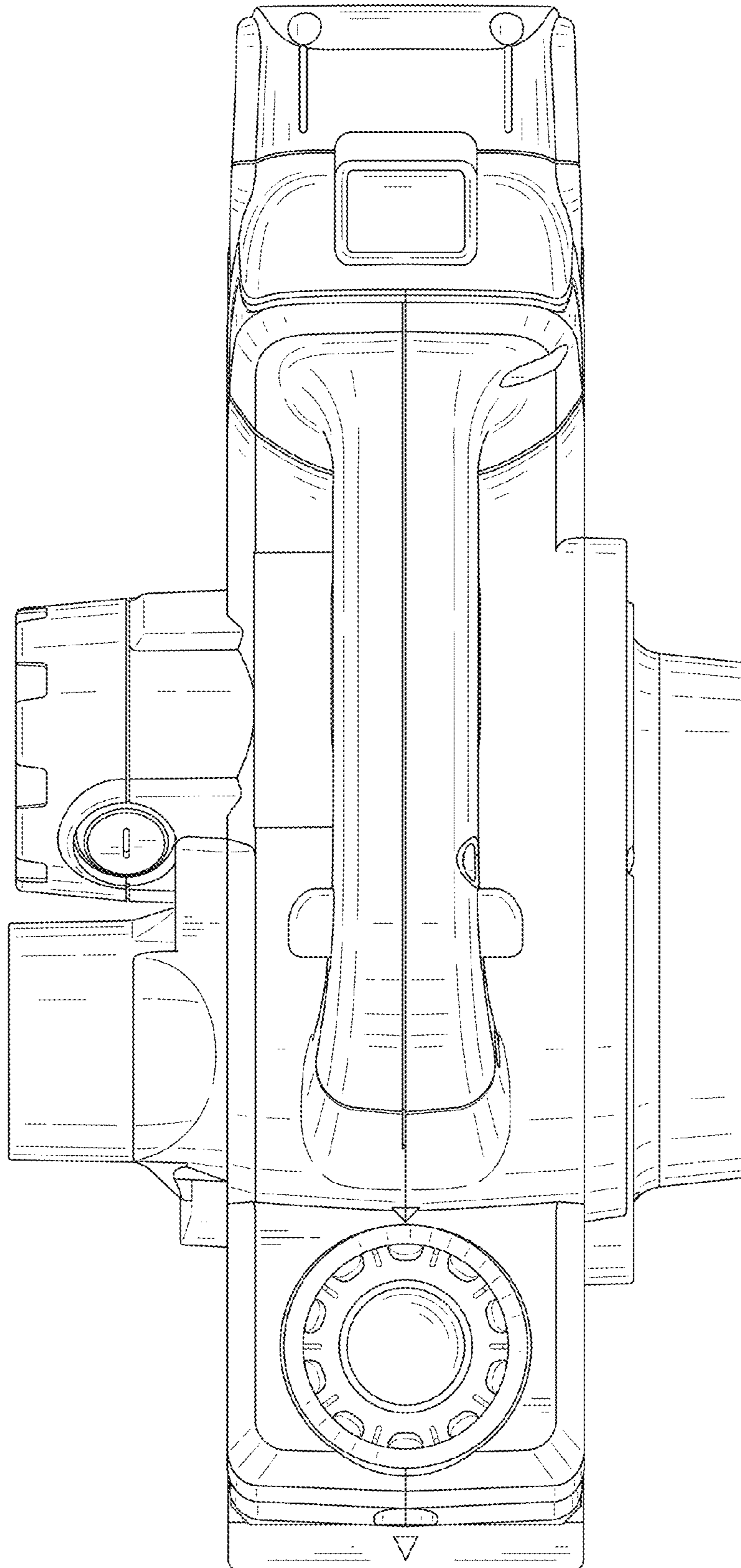


FIG. 4

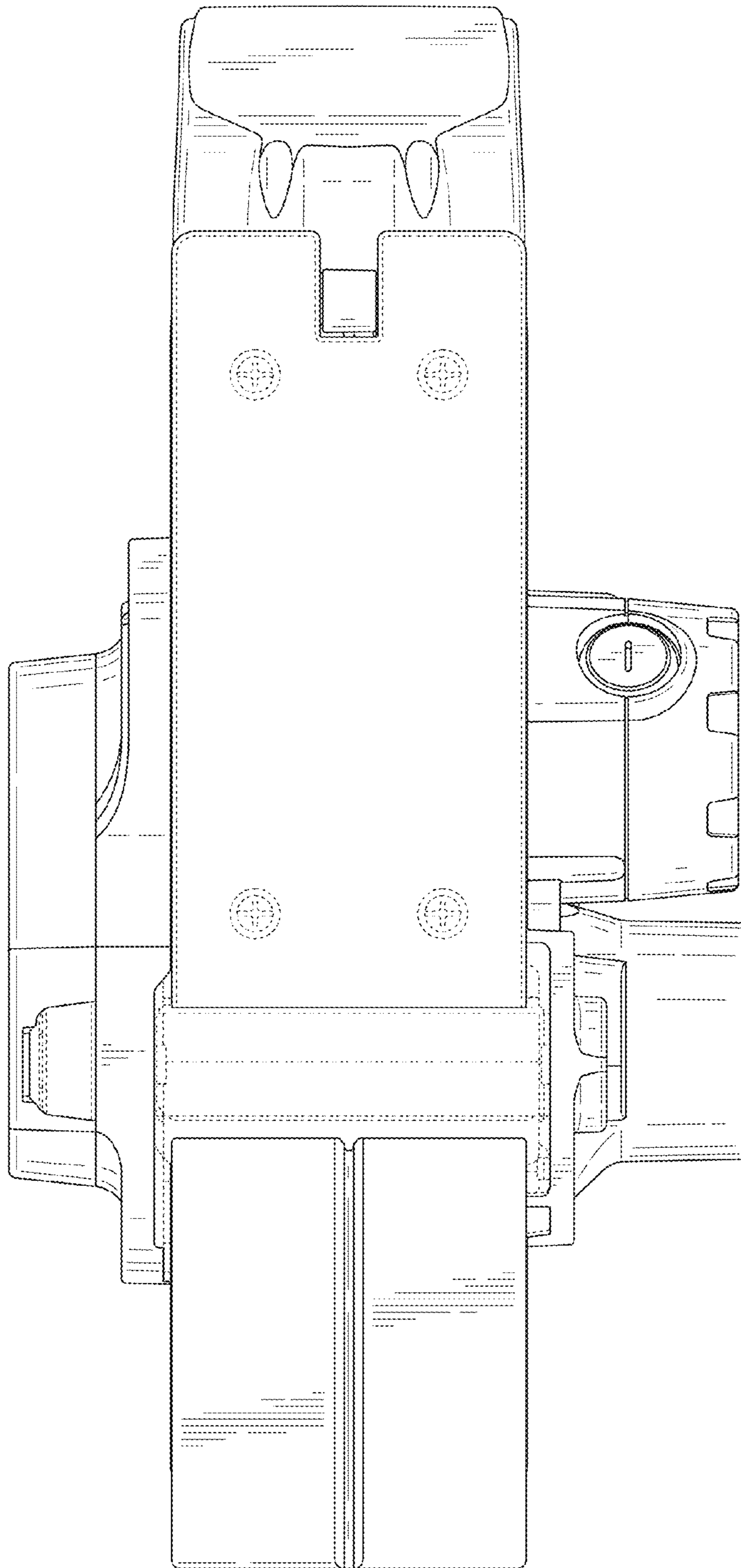


FIG. 5

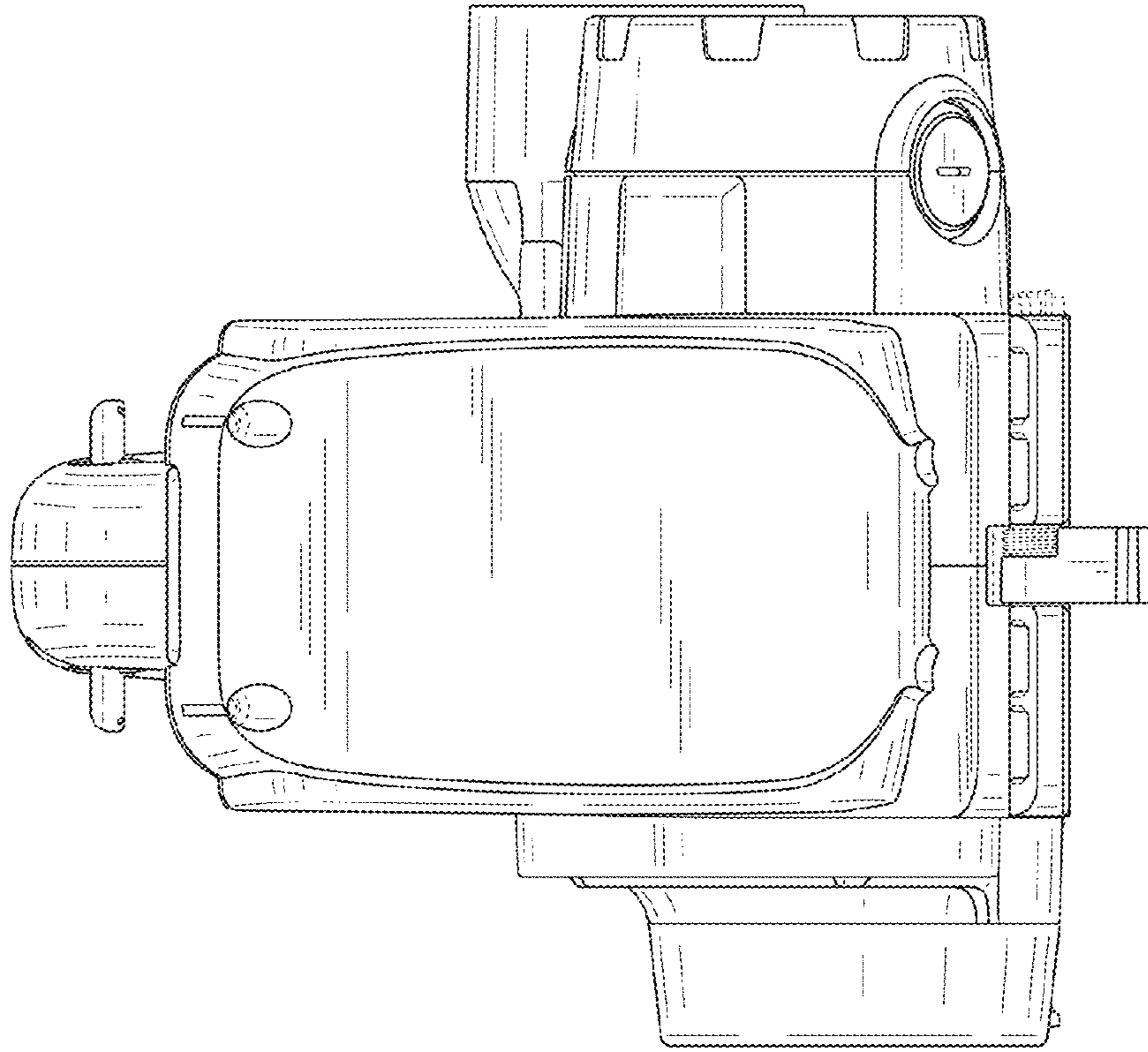


FIG. 7

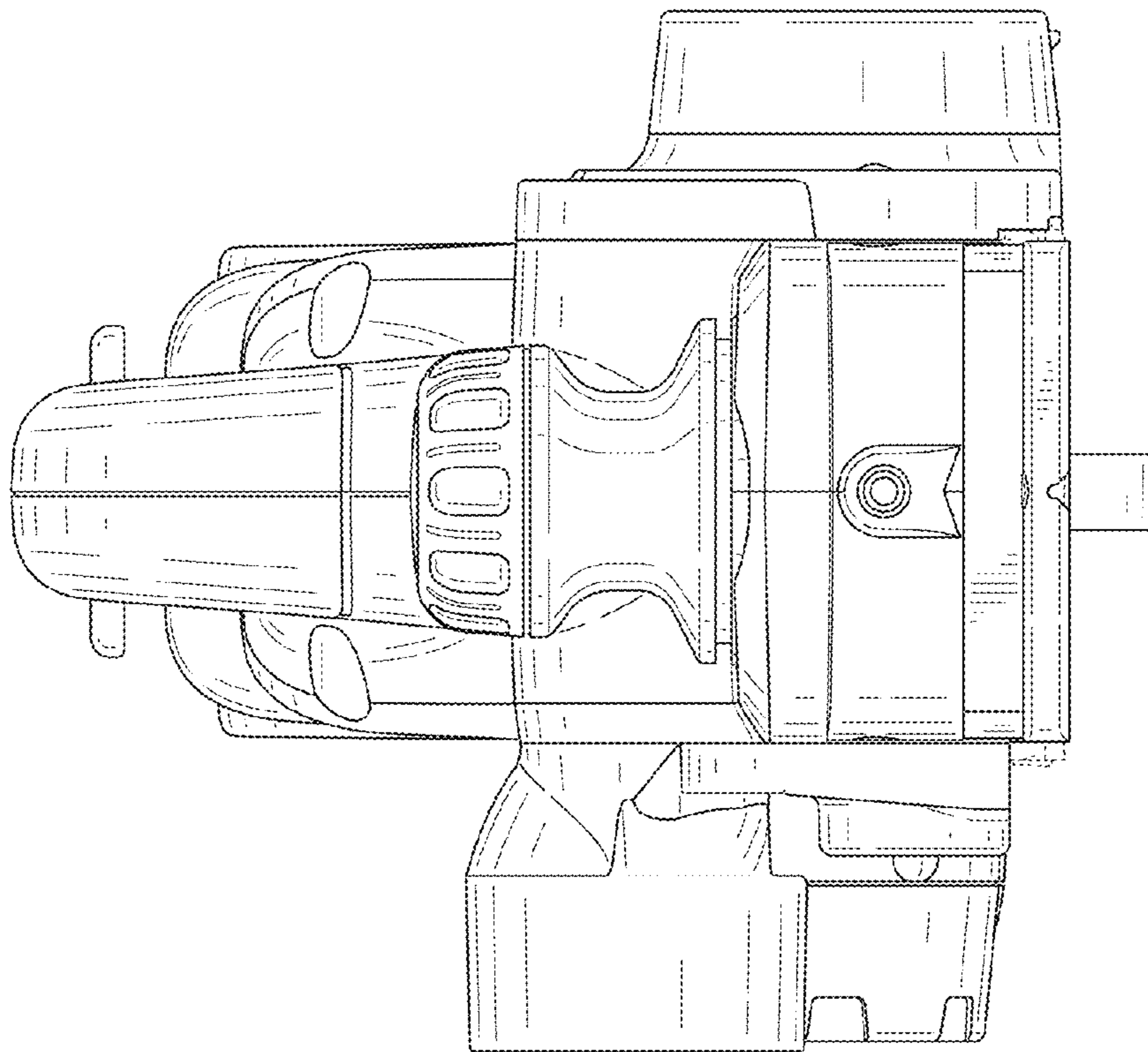


FIG. 6