

US00D637878S

(12) **United States Design Patent**
Elkington et al.

(10) **Patent No.:** **US D637,878 S**

(45) **Date of Patent:** **** May 17, 2011**

(54) **PIPE CUTTER**

(76) Inventors: **Michael Elkington**, Gold Coast (AU);
Fraser O’Keefe, Gold Coast (AU)

(**) **Term:** **14 Years**

(21) **Appl. No.:** **29/326,109**

(22) **Filed:** **Oct. 13, 2008**

(30) **Foreign Application Priority Data**

Apr. 11, 2008 (AU) 11692/2008

(51) **LOC (9) Cl.** **08-03**

(52) **U.S. Cl.** **D8/60; D8/70**

(58) **Field of Classification Search** D8/1, 4,
D8/5, 14, 51–60, 107, 70; 30/92–108, 249–251;
D15/29, 127, 130, 138, 139

See application file for complete search history.

(56) **References Cited**

U.S. PATENT DOCUMENTS

2,879,044	A *	3/1959	Gunas	416/185
D208,946	S *	10/1967	St. Alban	D15/139
3,396,795	A *	8/1968	Venghiattis	166/55.7
3,911,574	A *	10/1975	Jones	30/105
3,977,076	A *	8/1976	Vieira et al.	30/103
3,999,292	A *	12/1976	Breese	30/105
D266,963	S *	11/1982	Sherman	D32/35
D273,194	S *	3/1984	House	D15/139
4,576,070	A *	3/1986	Fitzgerald	82/82
4,669,923	A *	6/1987	McKinney	
4,836,065	A *	6/1989	Setliff	81/124.2
4,932,125	A *	6/1990	Poveromo	30/103
5,499,453	A *	3/1996	Brauchitsch	30/105

D399,106	S *	10/1998	Wexler	D8/14
D400,075	S *	10/1998	Martelle	D8/70
5,815,926	A	10/1998	Ekern	
6,048,142	A	4/2000	Hashimoto	
D480,933	S *	10/2003	Wendt	D8/21
D513,465	S *	1/2006	Carey	D8/14
7,574,807	B1 *	8/2009	Fuller et al.	30/388
2003/0077130	A1	4/2003	Klessner	

FOREIGN PATENT DOCUMENTS

JP	10-216376	8/1998
JP	2002187014	7/2002

* cited by examiner

Primary Examiner — Cathron C Brooks

Assistant Examiner — Deanna Fluegeman

(74) *Attorney, Agent, or Firm* — Oppedahl Patent Law Firm
LLC

(57) **CLAIM**

We claim the ornamental design for a pipe cutter, as shown and described.

DESCRIPTION

FIG. 1 is a front view of the pipe cutter showing my design; the right side view, left side view, and rear view of the pipe cutter being identical;

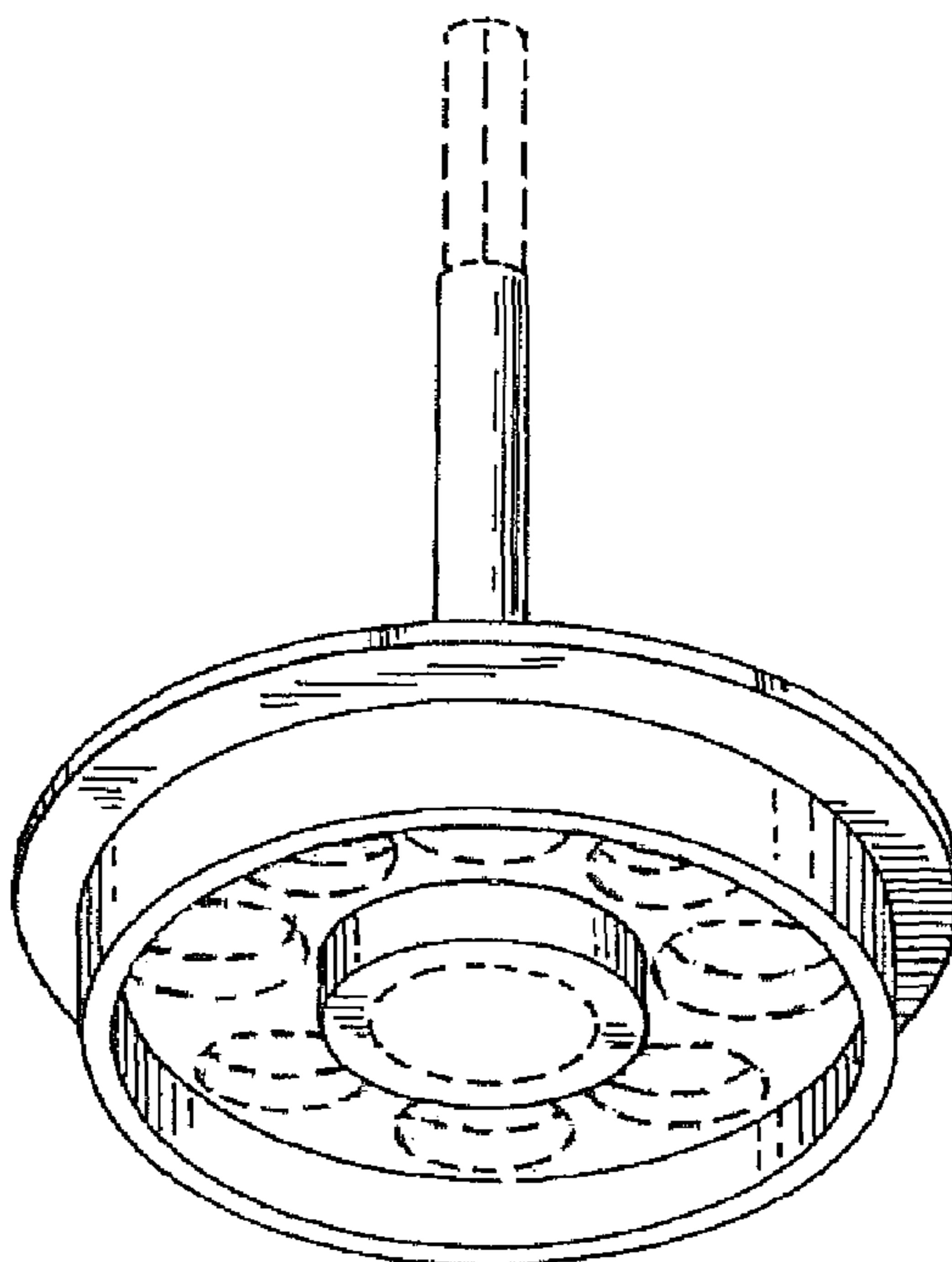
FIG. 2 is a bottom side view of FIG. 1; and

FIG. 3 is a top view of FIG. 1; and,

FIG. 4 is an isometric view of FIG. 1.

The broken lines illustrate unclaimed portions of the pipe cutter and form no part of the claimed design.

1 Claim, 4 Drawing Sheets



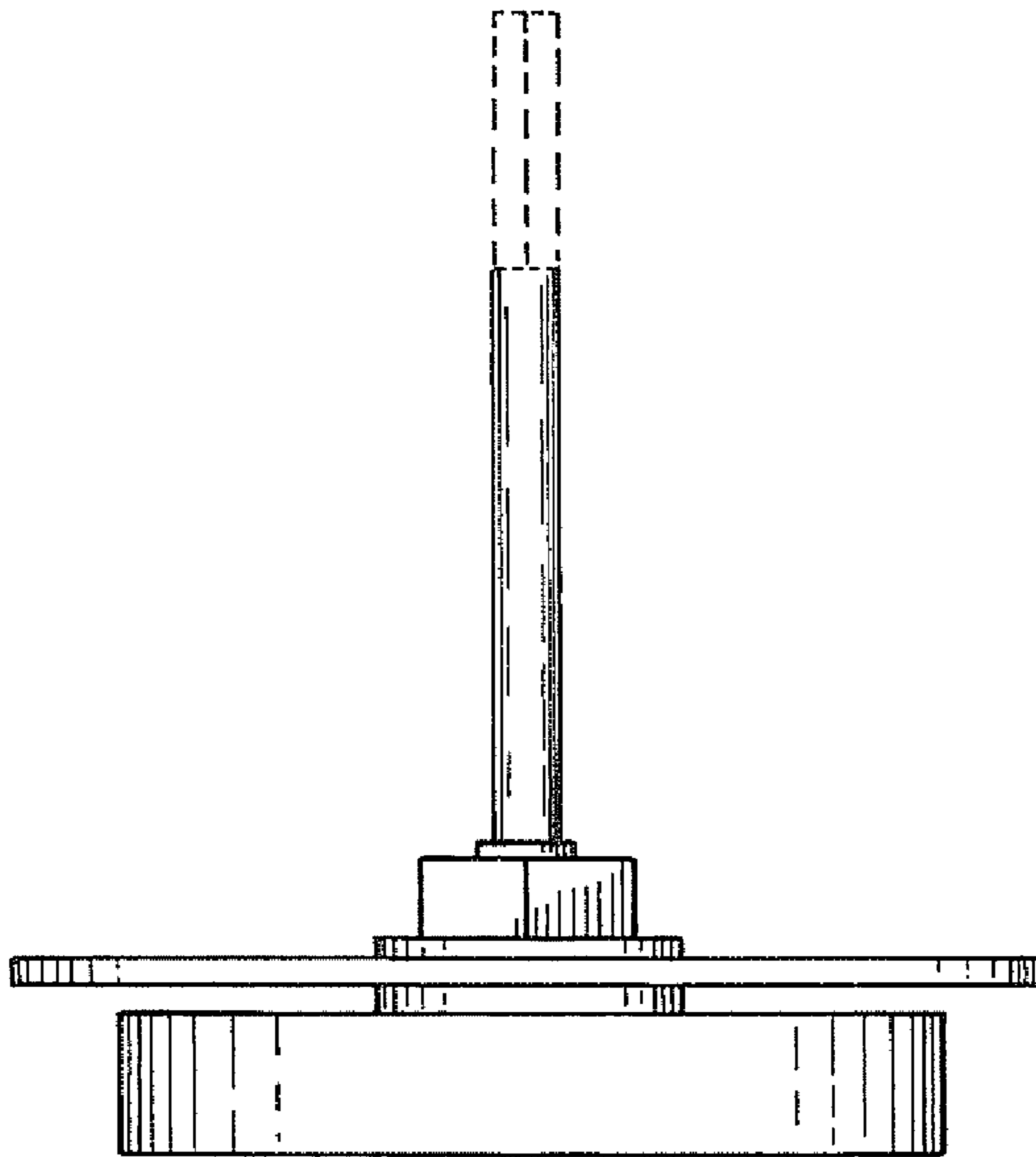


FIG.1

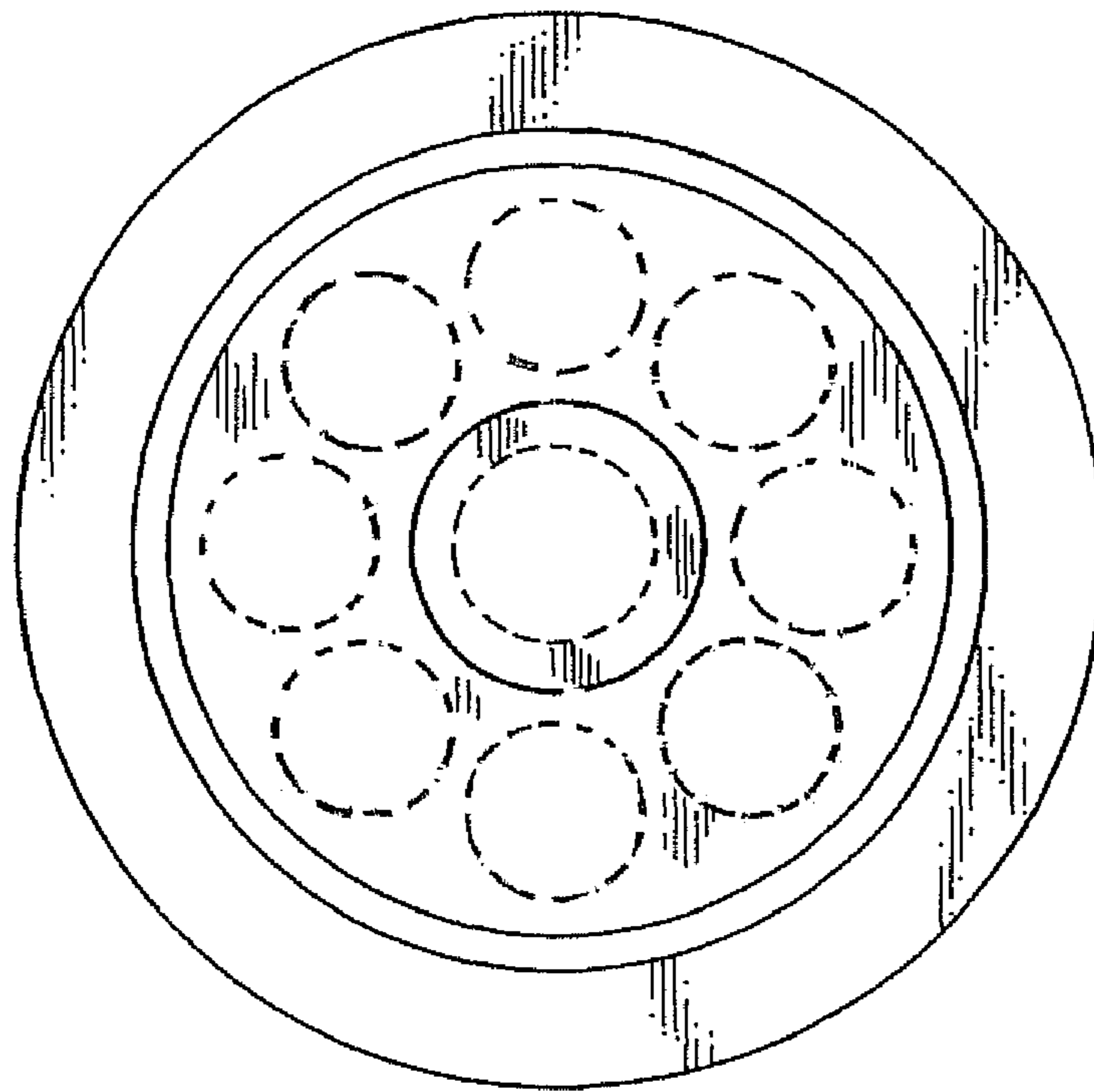


FIG.2

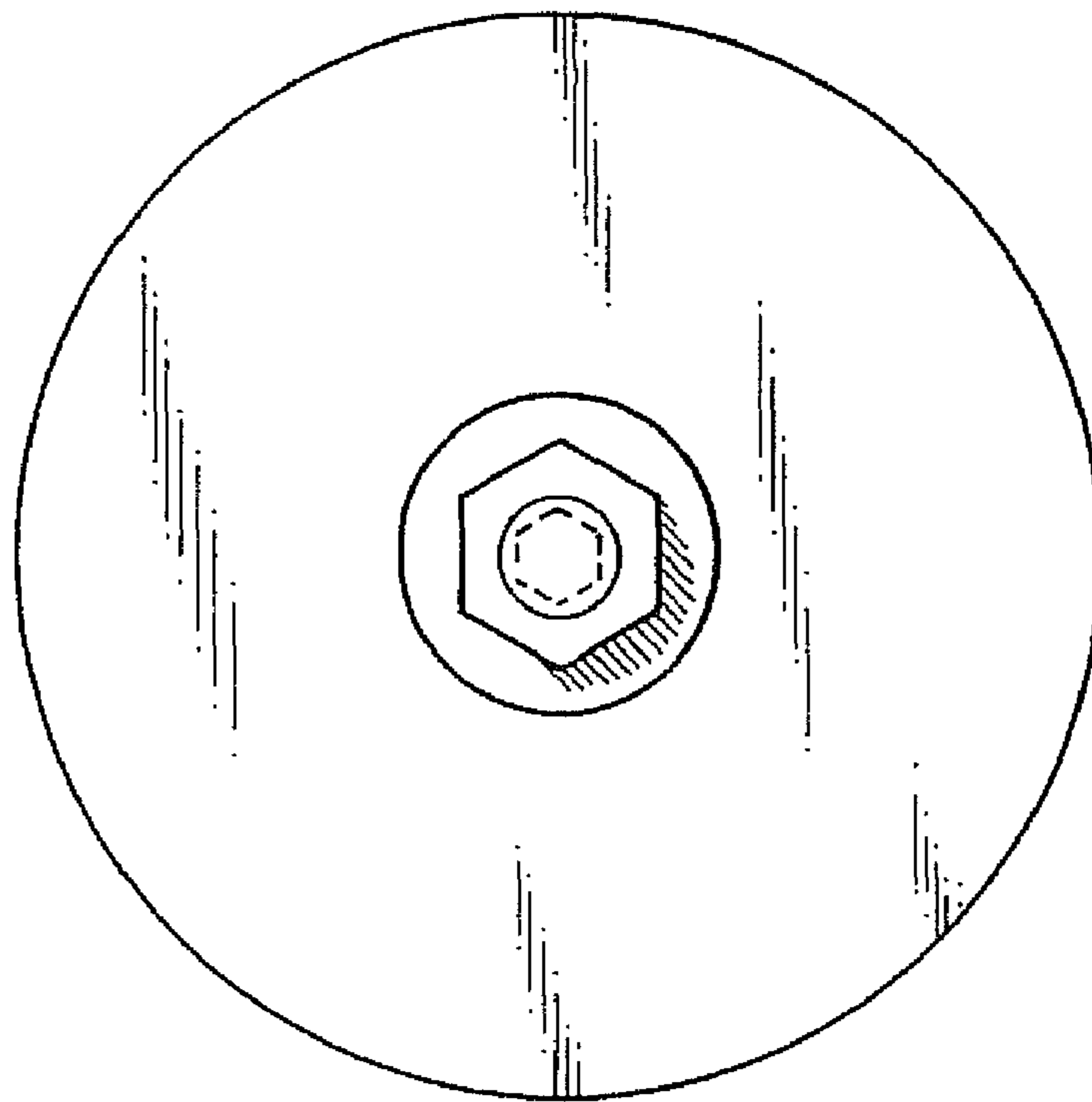


FIG. 3

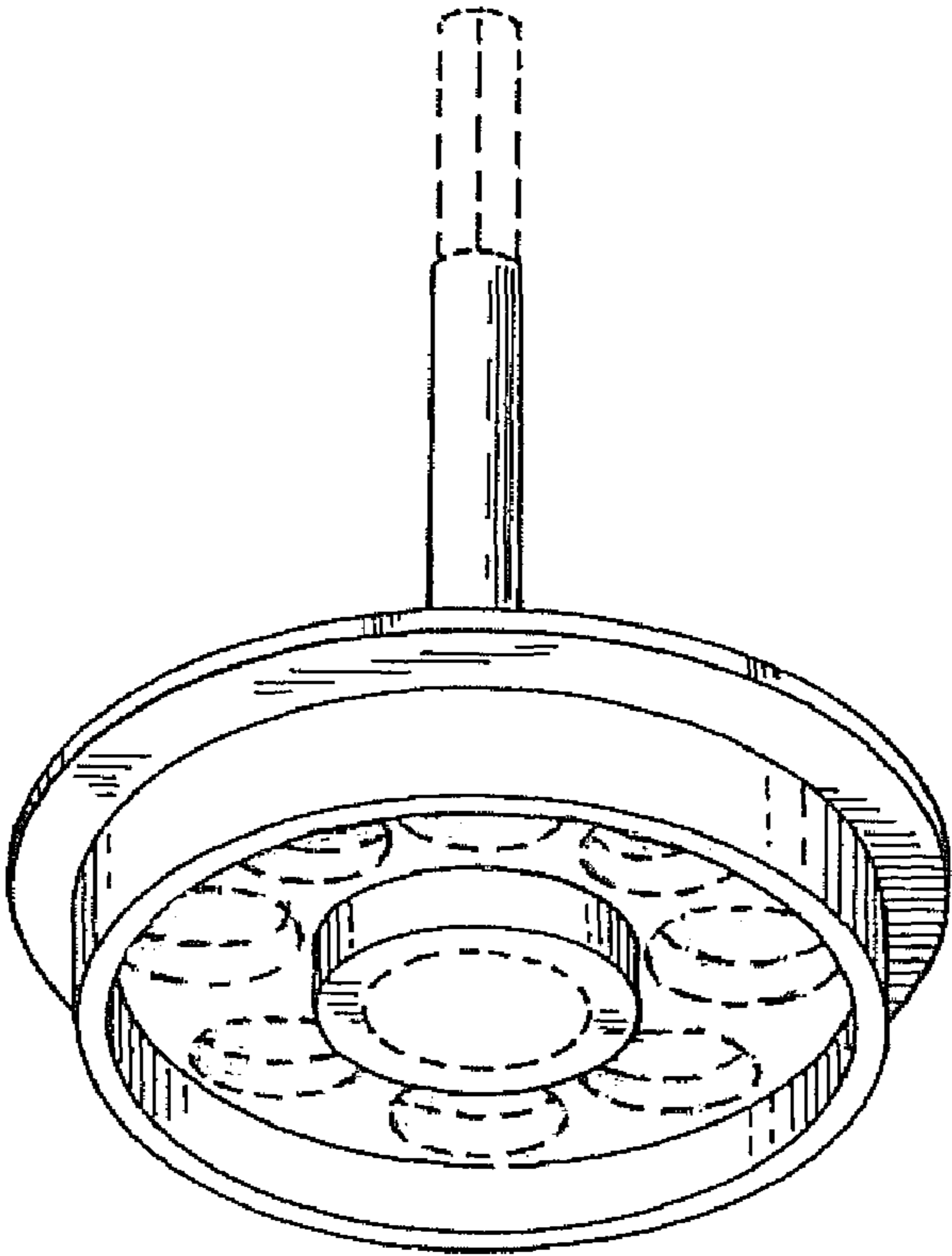


FIG.4