



US00D637877S

(12) **United States Design Patent**
Elkins

(10) **Patent No.:** **US D637,877 S**

(45) **Date of Patent:** **** May 17, 2011**

(54) **FENCE WIRE TWISTER**

(76) Inventor: **Guy Elkins**, May, TX (US)

(**) Term: **14 Years**

(21) Appl. No.: **29/360,432**

(22) Filed: **Apr. 26, 2010**

(51) **LOC (9) Cl.** **08-05**

(52) **U.S. Cl.** **D8/44**

(58) **Field of Classification Search** D8/14,
D8/19, 44, 356; 140/102.5, 117-119; 242/388.2
See application file for complete search history.

(56) **References Cited**

U.S. PATENT DOCUMENTS

347,562	A *	8/1886	Boggs	140/119
356,638	A	1/1887	Haag	
D19,308	S *	9/1889	Hupp	D8/44
567,367	A *	9/1896	Truelsen	242/388.2
577,861	A	3/1897	Kirby	
595,623	A	12/1897	Guthrie	
D29,630	S *	11/1898	Mitchell	D8/44
665,729	A *	1/1901	Burnham et al.	140/118
942,732	A	12/1909	Morford	
1,207,367	A	12/1916	Buswell	
D209,856	S *	1/1968	Valenta	D10/64
3,805,854	A	4/1974	Self	
4,057,221	A *	11/1977	Leath	256/40
4,527,599	A *	7/1985	Clark	140/119
4,917,154	A	4/1990	Roberson, Sr.	
D359,431	S *	6/1995	Motley	D8/44
D427,034	S *	6/2000	Cyrell	D8/44
6,102,321	A *	8/2000	Clary	242/388.4
D438,436	S *	3/2001	Carter, Jr.	D8/16
D452,121	S *	12/2001	Teichelman	D8/19

D456,692	S *	5/2002	Epstein	D8/356
6,554,217	B1 *	4/2003	Rodriguez	242/362
D485,743	S *	1/2004	Wilson, Sr.	D8/354
D503,609	S *	4/2005	Robbins et al.	D8/359
7,188,643	B1	3/2007	Lile	
D542,123	S *	5/2007	Symons	D8/356
7,290,570	B1	11/2007	Spikes	
D613,570	S *	4/2010	Wall	D8/44
2006/0249619	A1 *	11/2006	Zulkowski	242/388.2

* cited by examiner

Primary Examiner — Phillip S Hyder

Assistant Examiner — Roselynn Ulm

(74) *Attorney, Agent, or Firm* — Charles D. Cunter, Jr.

(57) **CLAIM**

The ornamental design for a fence wire twister, as shown and described.

DESCRIPTION

FIG. 1 is a top, perspective view of the fence wire twister of the invention;

FIG. 2 is a side view of the fence wire twister of FIG. 1 centered along the central slit which is present at one point in the circumference thereof;

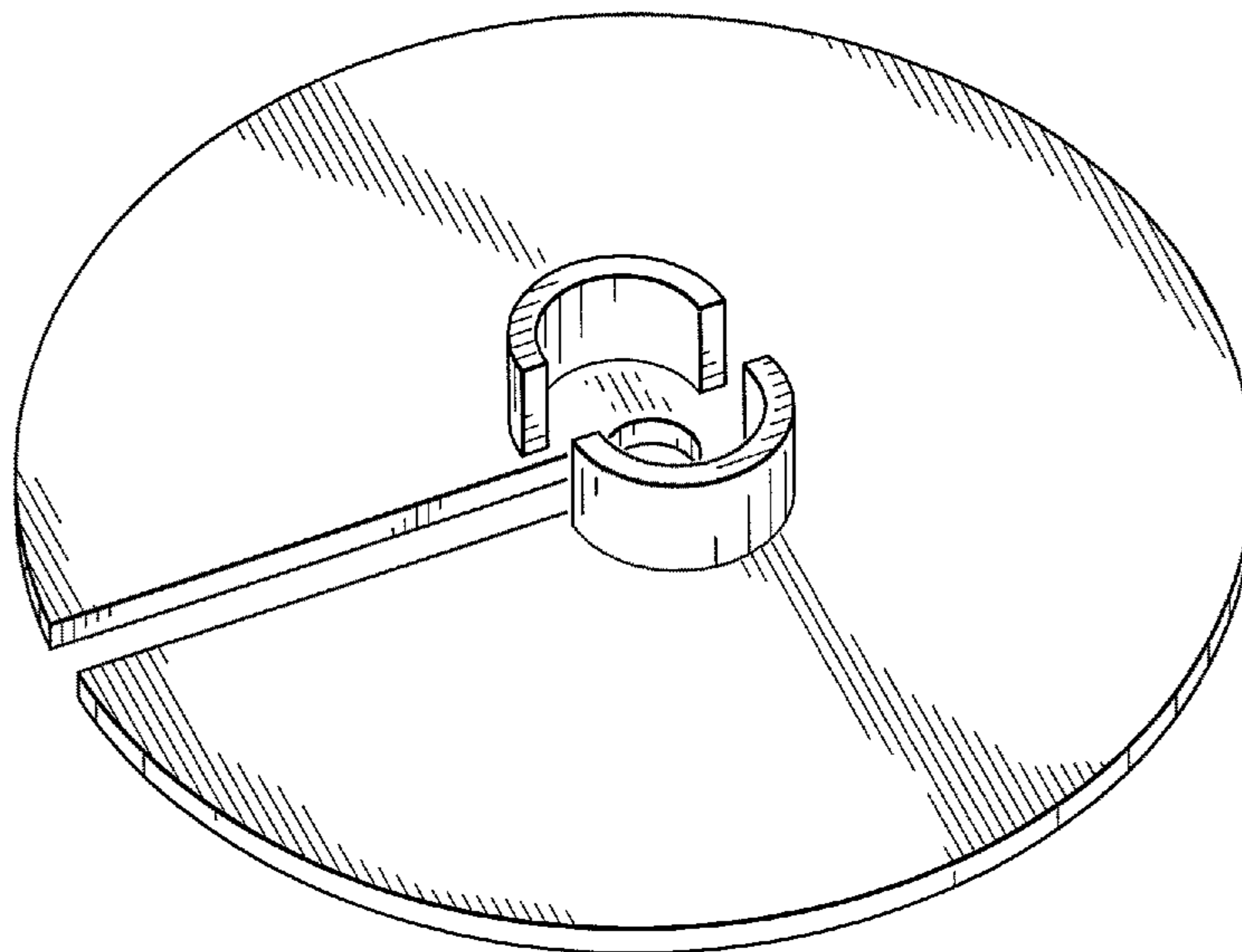
FIG. 3 is an end view of the fence wire twister of the invention;

FIG. 4 is a side view of the fence wire twister of the invention taken from the opposite side of that shown in FIG. 2;

FIG. 5 is a top view of the fence wire twister of the invention; and,

FIG. 6 is a bottom view of the fence wire twister of FIG. 5.

1 Claim, 3 Drawing Sheets



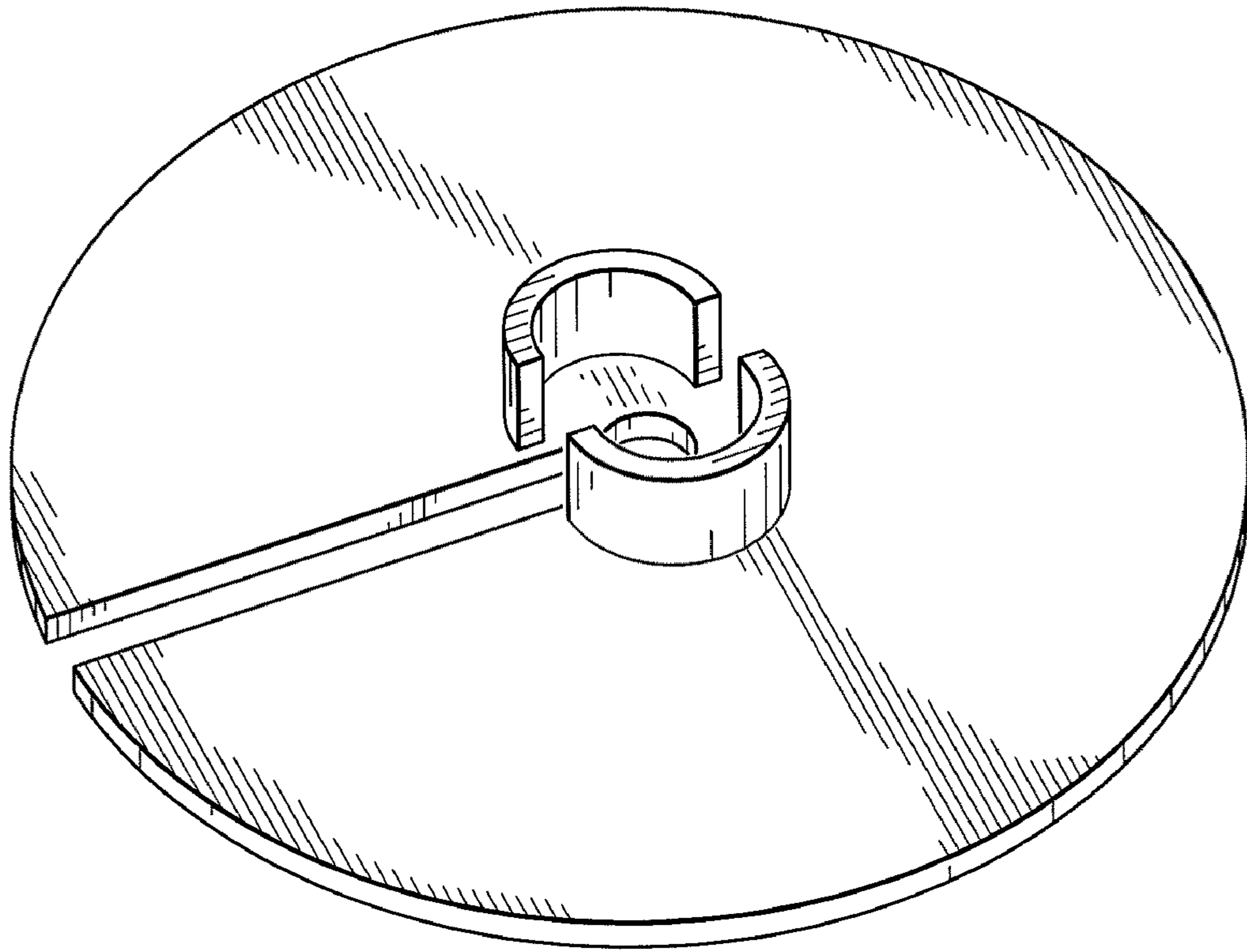


FIG. 1

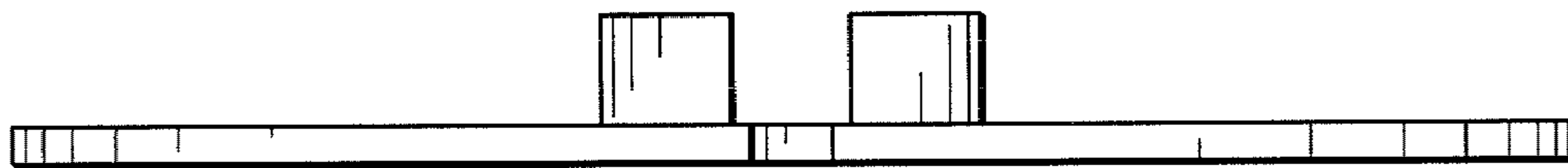


FIG. 2



FIG. 3

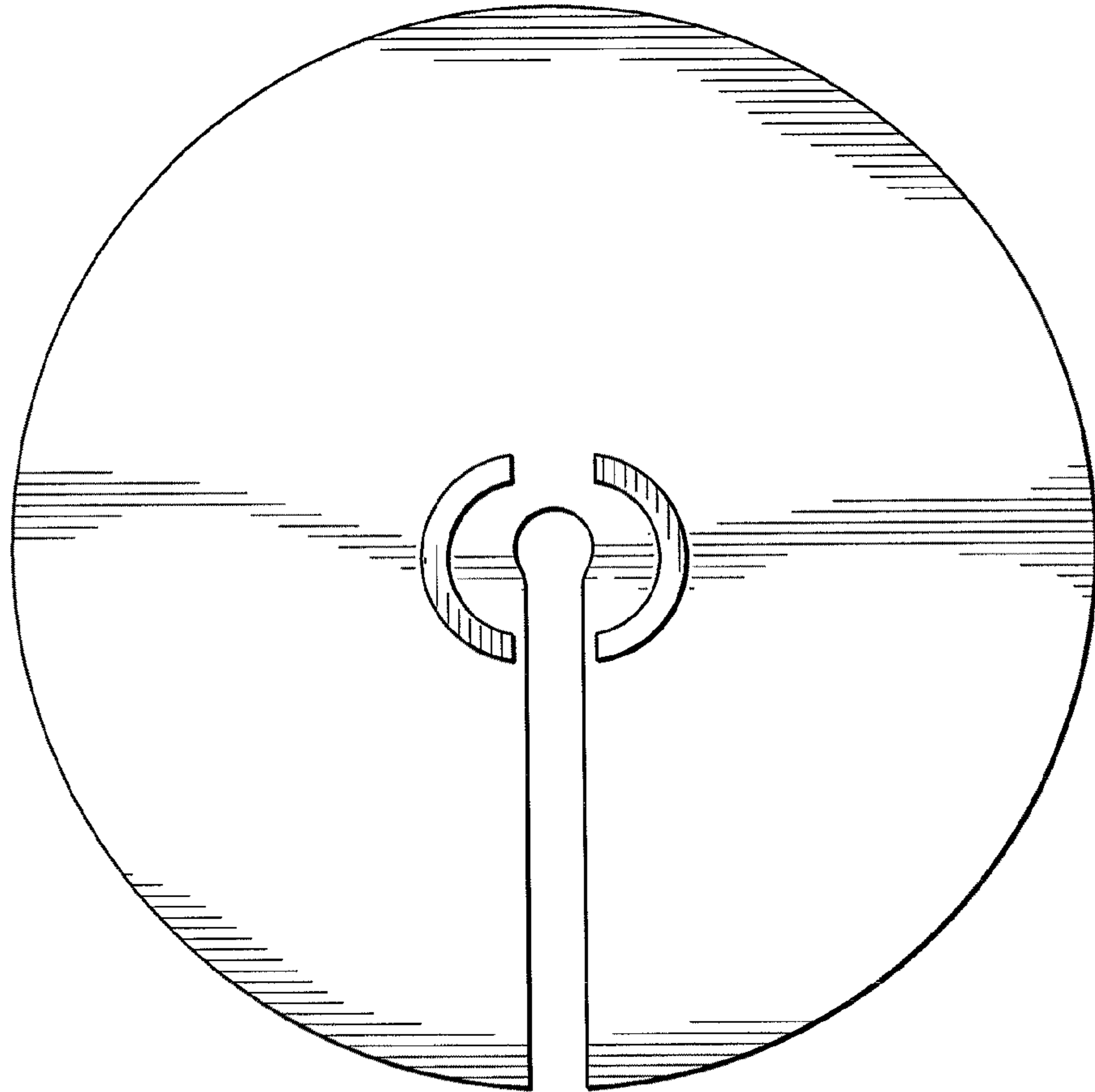


FIG. 5

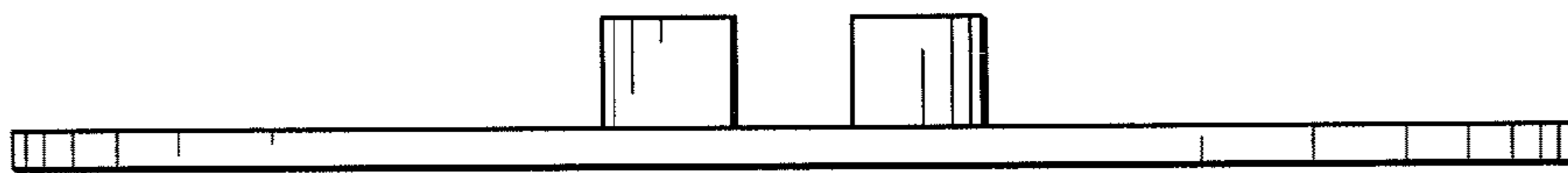


FIG. 4

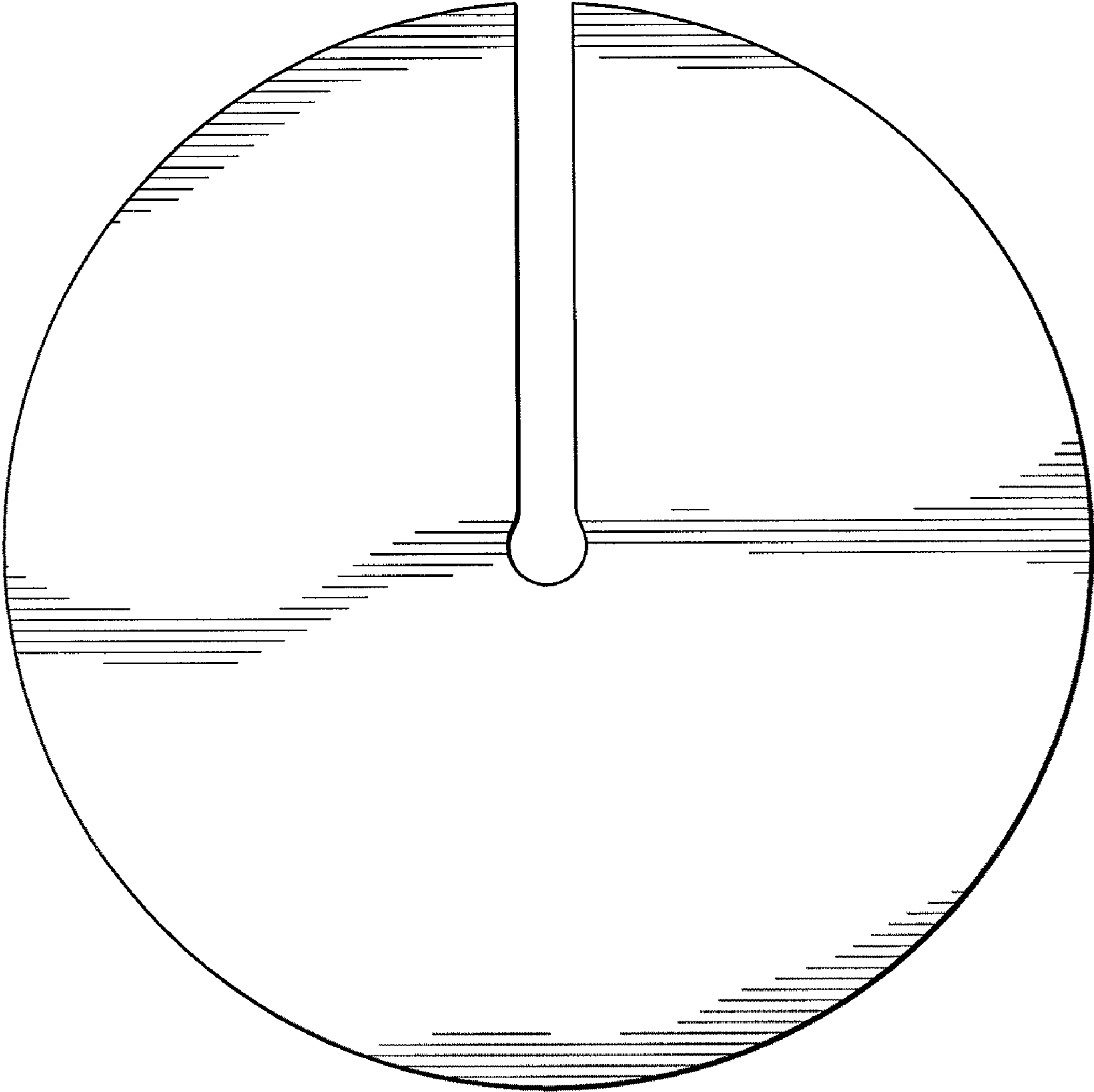


FIG. 6