



US00D637876S

(12) **United States Design Patent**
Williams

(10) **Patent No.:** **US D637,876 S**

(45) **Date of Patent:** **** May 17, 2011**

(54) **ETCHING BLADE**

(76) Inventor: **Mark Charles Williams**, Milpitas, CA
(US)

(**) Term: **14 Years**

(21) Appl. No.: **29/376,998**

(22) Filed: **Oct. 15, 2010**

(51) **LOC (9) Cl.** **08-03**

(52) **U.S. Cl.** **D8/20**

(58) **Field of Classification Search** D8/16,
D8/18-20, 64, 95-104; D22/117, 118; D24/146;
7/118, 148; 30/142, 144, 165, 166.3, 272.1,
30/314, 320, 346, 346.5, 346.55, 346.56,
30/349, 351, 355-357

See application file for complete search history.

(56) **References Cited**

U.S. PATENT DOCUMENTS

D237,452 S *	11/1975	Hall	D8/20
D245,831 S *	9/1977	West et al.	D8/20
D279,645 S *	7/1985	Makris	D8/18

D338,607 S *	8/1993	Anderson	D8/98
D358,643 S *	5/1995	Knepshield et al.	D24/146
D400,068 S *	10/1998	Gold	D8/20
D405,667 S *	2/1999	Rivera	D8/20
D538,117 S *	3/2007	Lin	D8/18
D573,855 S *	7/2008	Khechoyan	D8/19
D624,185 S *	9/2010	McGinley	D24/146

* cited by examiner

Primary Examiner — Garth Rademaker

(74) *Attorney, Agent, or Firm* — Sinorica, LLC

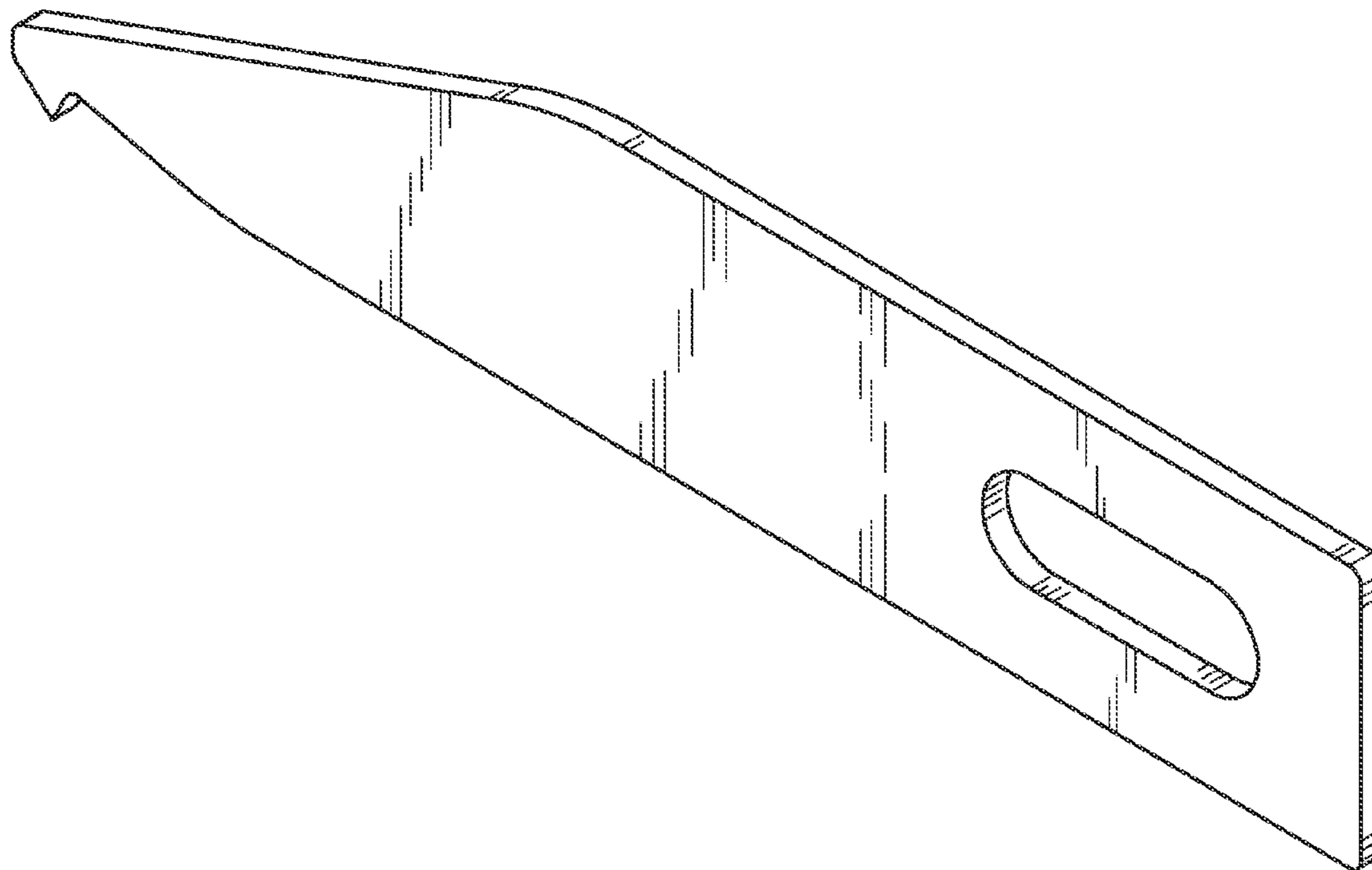
(57) **CLAIM**

The ornamental design for an etching blade, as shown and described.

DESCRIPTION

FIG. 1 is a perspective view of an etching blade;
FIG. 2 is a front elevational view thereof;
FIG. 3 is a rear elevational view thereof;
FIG. 4 is a right-side elevational view thereof;
FIG. 5 is a left-side elevational view thereof;
FIG. 6 is a top plan view thereof; and,
FIG. 7 is a bottom plan view thereof.

1 Claim, 3 Drawing Sheets



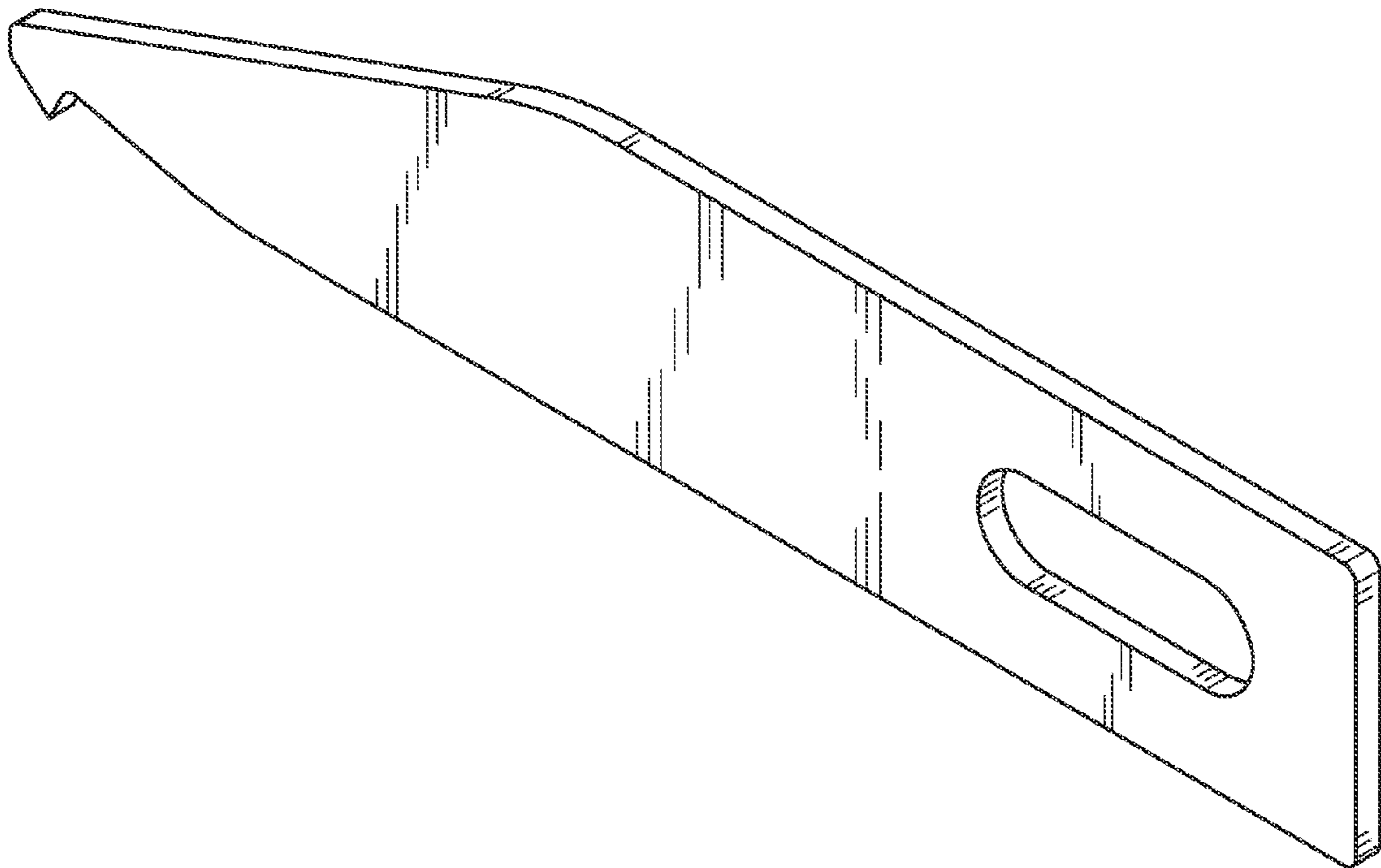


FIG. 1

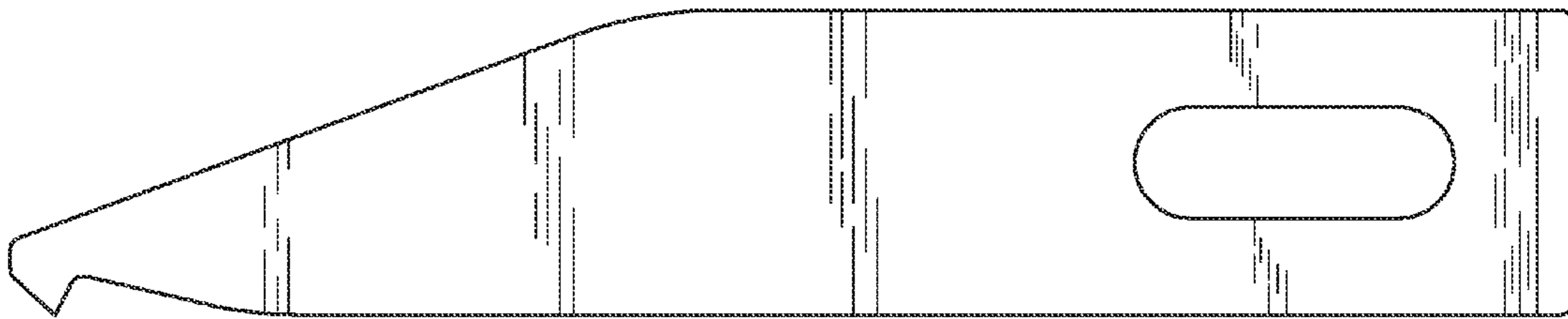


FIG. 2

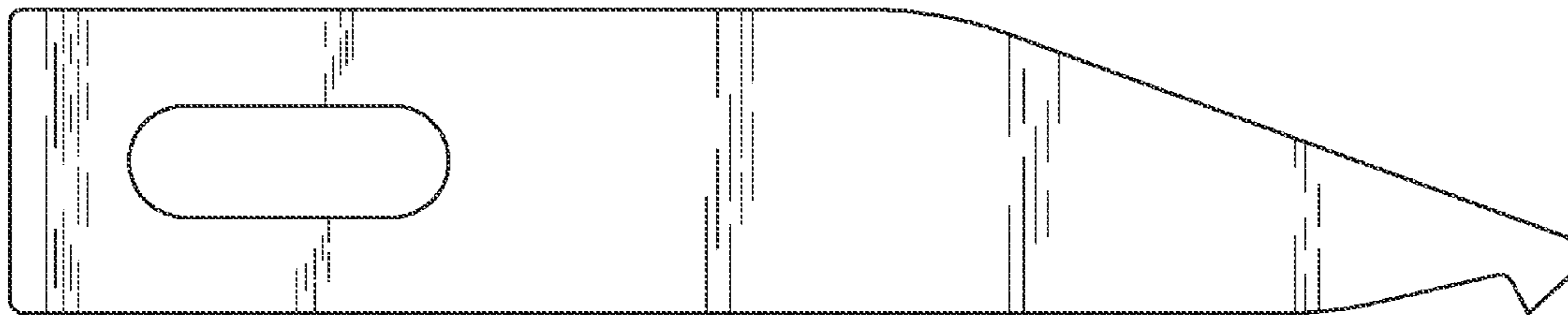


FIG. 3



FIG. 4



FIG. 5



FIG. 6



FIG. 7