



US00D637875S

(12) **United States Design Patent**
Gehman et al.

(10) **Patent No.:** **US D637,875 S**
(45) **Date of Patent:** **** May 17, 2011**

(54) **FOLDABLE SNOW SHOVEL**

(75) Inventors: **Michael Christopher Gehman**, York, PA (US); **Joshua O. Mullen**, Duncannon, PA (US); **Eric Daniel Hyp**, Harrisburg, PA (US)

(73) Assignee: **Ames True Temper, Inc.**, Camp Hill, PA (US)

(**) Term: **14 Years**

(21) Appl. No.: **29/367,645**

(22) Filed: **Aug. 11, 2010**

(51) **LOC (9) Cl.** **08-01**

(52) **U.S. Cl.** **D8/10**

(58) **Field of Classification Search** D8/10;
294/49, 53.5, 54.5, 57, 55.5; 56/400.01;
172/371-372; D32/46

See application file for complete search history.

(56) **References Cited**

U.S. PATENT DOCUMENTS

D334,515 S *	4/1993	Libra et al.	D8/10
D376,965 S	12/1996	Spear et al.	
D383,582 S *	9/1997	Sinclair, Jr.	D34/18
D563,182 S *	3/2008	Kopp	D8/10
D564,846 S *	3/2008	Kopp	D8/10
D568,680 S *	5/2008	Hsu	D7/397
D613,136 S *	4/2010	Begin et al.	D8/10
D626,388 S *	11/2010	Greenly et al.	D8/10

* cited by examiner

Primary Examiner — Holly Baynham

Assistant Examiner — Sheryl Lane

(74) *Attorney, Agent, or Firm* — Eckert Seamans Cherin & Mellott, LLC; David C. Jenkins, Esquire

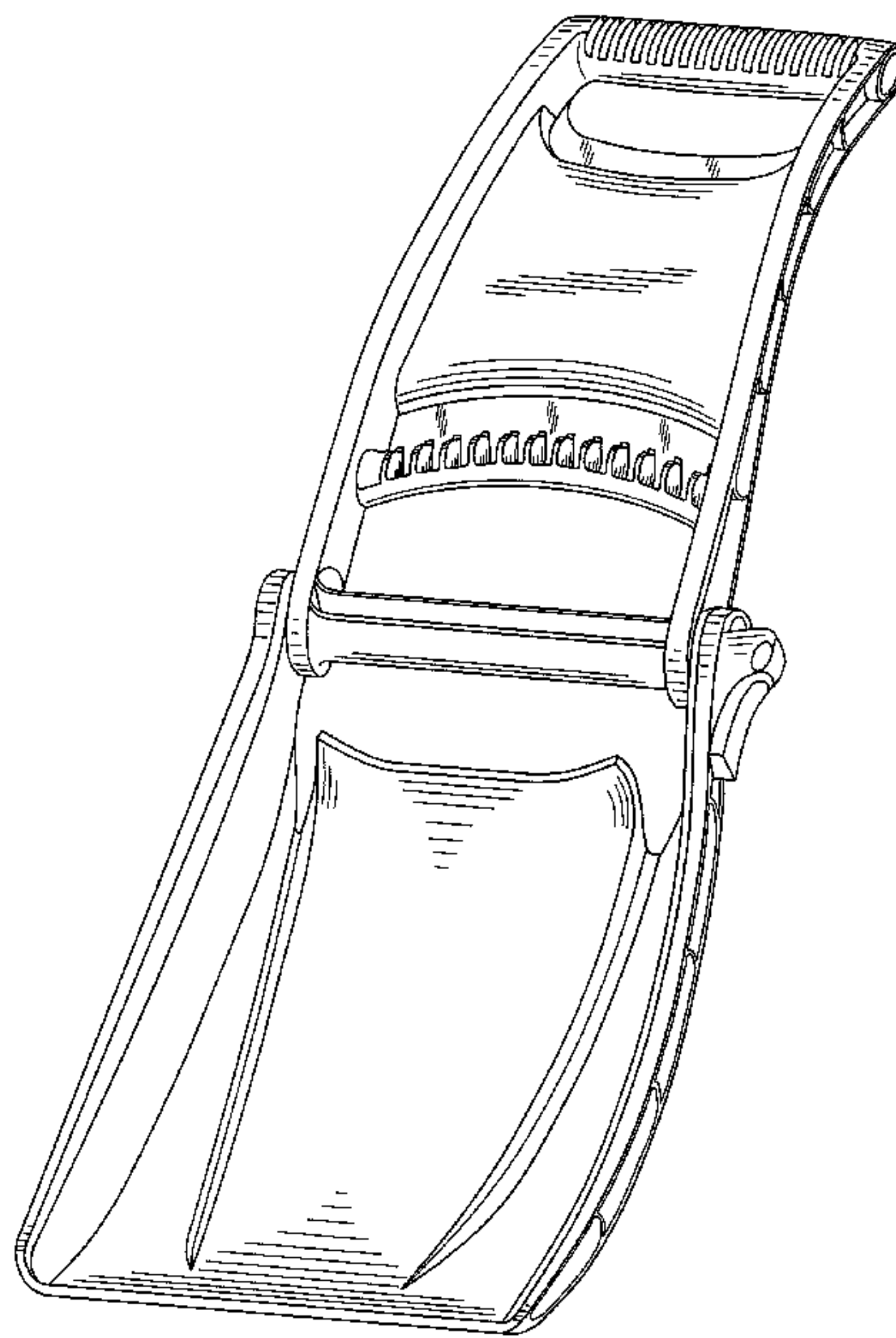
(57) **CLAIM**

The ornamental design for foldable snow shovel, as shown and described.

DESCRIPTION

FIG. 1 is an isometric view of the foldable snow shovel in a first configuration;
 FIG. 2 is a front view of the foldable snow shovel in a first configuration;
 FIG. 3 is a back view of the foldable snow shovel in a first configuration;
 FIG. 4 is a right side view of the foldable snow shovel in a first configuration;
 FIG. 5 is a left side view of the foldable snow shovel in a first configuration;
 FIG. 6 is a top of the foldable snow shovel in a first configuration;
 FIG. 7 is a bottom view of the foldable snow shovel in a first configuration;
 FIG. 8 is an isometric view of the foldable snow shovel in a second configuration;
 FIG. 9 is a front view of the foldable snow shovel in a second configuration;
 FIG. 10 is a back view of the foldable snow shovel in a second configuration;
 FIG. 11 is a right side view of the foldable snow shovel in a second configuration;
 FIG. 12 is a left side view of the foldable snow shovel in a second configuration;
 FIG. 13 is a top of the foldable snow shovel in a second configuration; and,
 FIG. 14 is a bottom view of the foldable snow shovel in a second configuration.

1 Claim, 12 Drawing Sheets



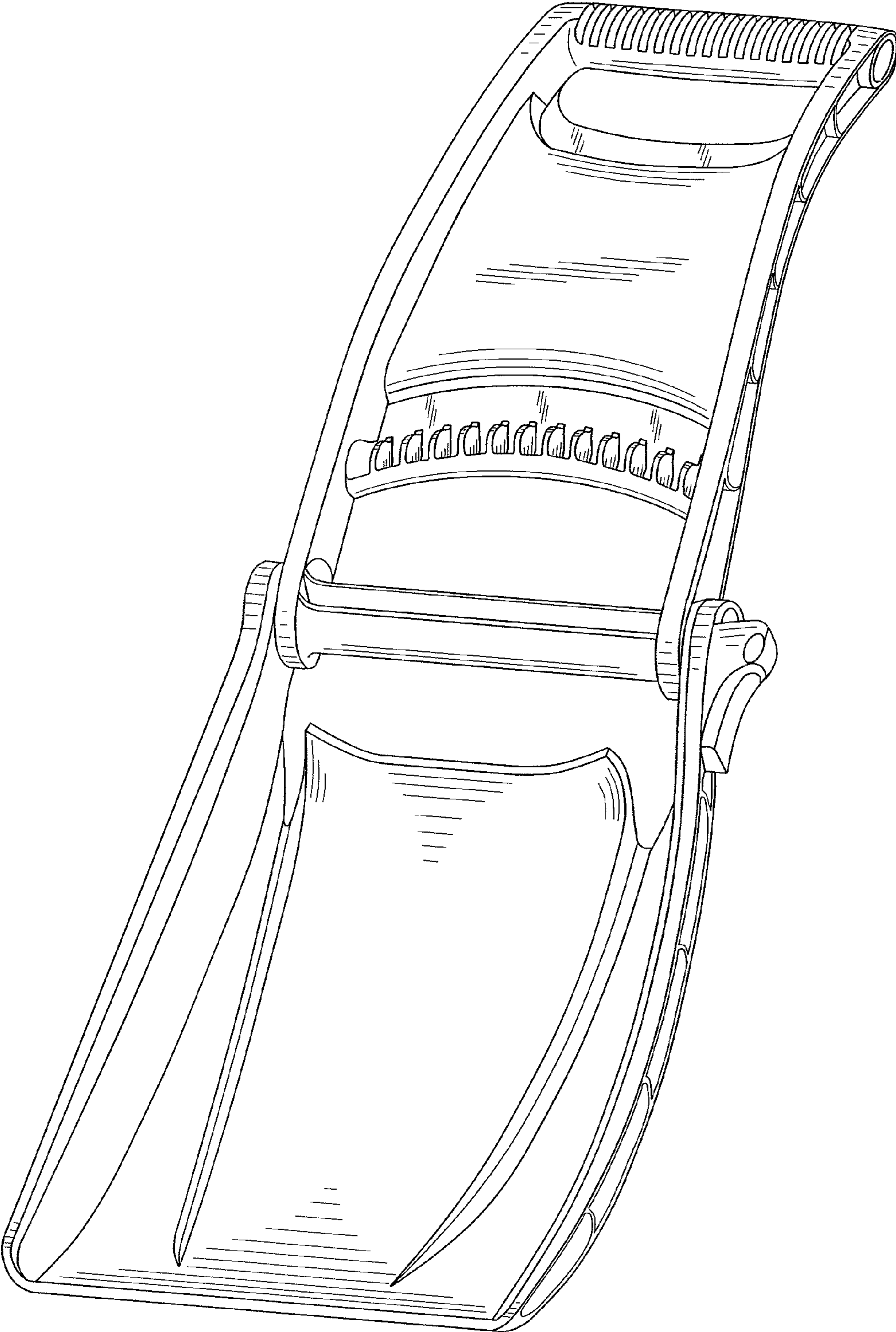


FIG. 1

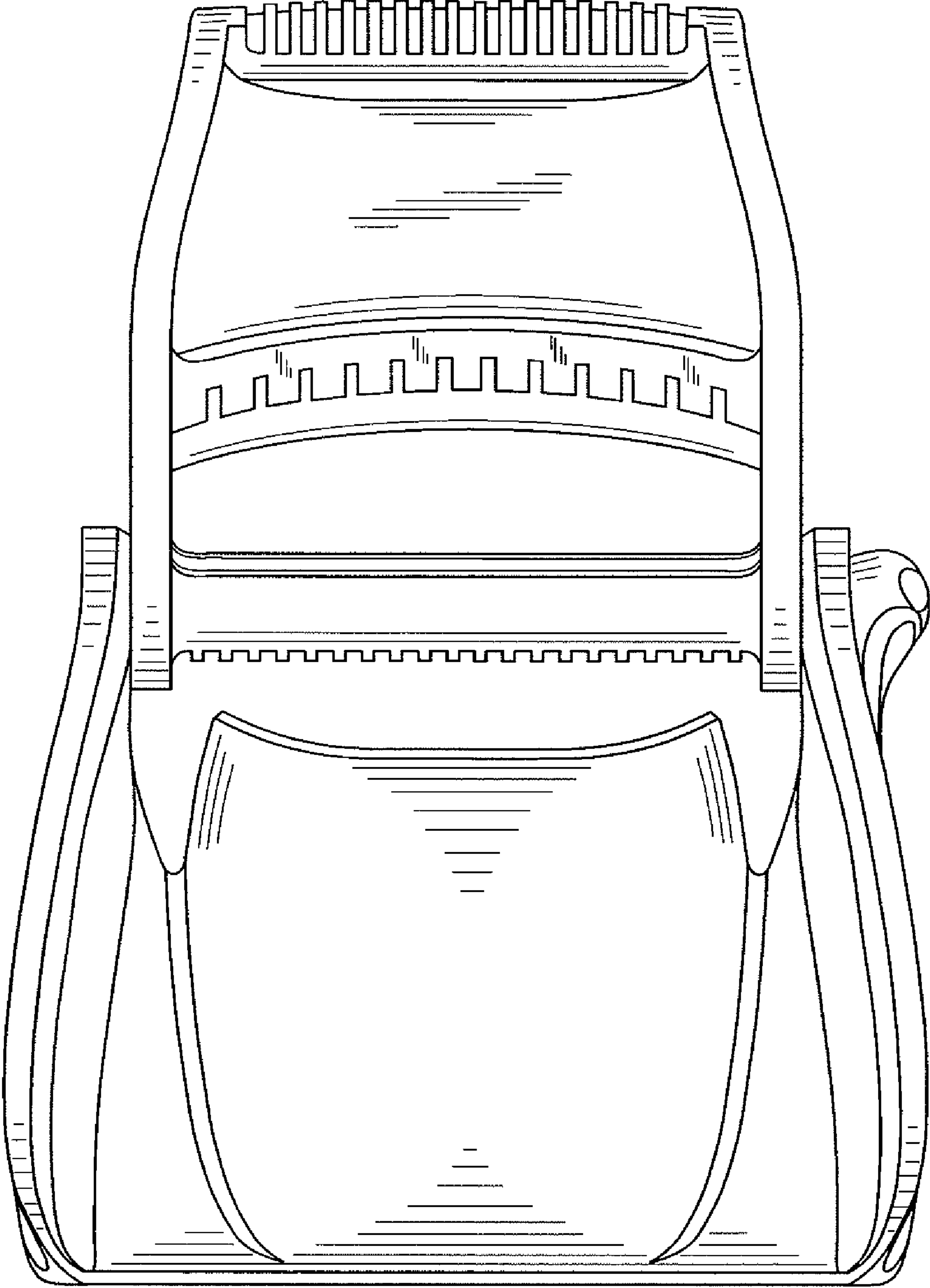


FIG. 2

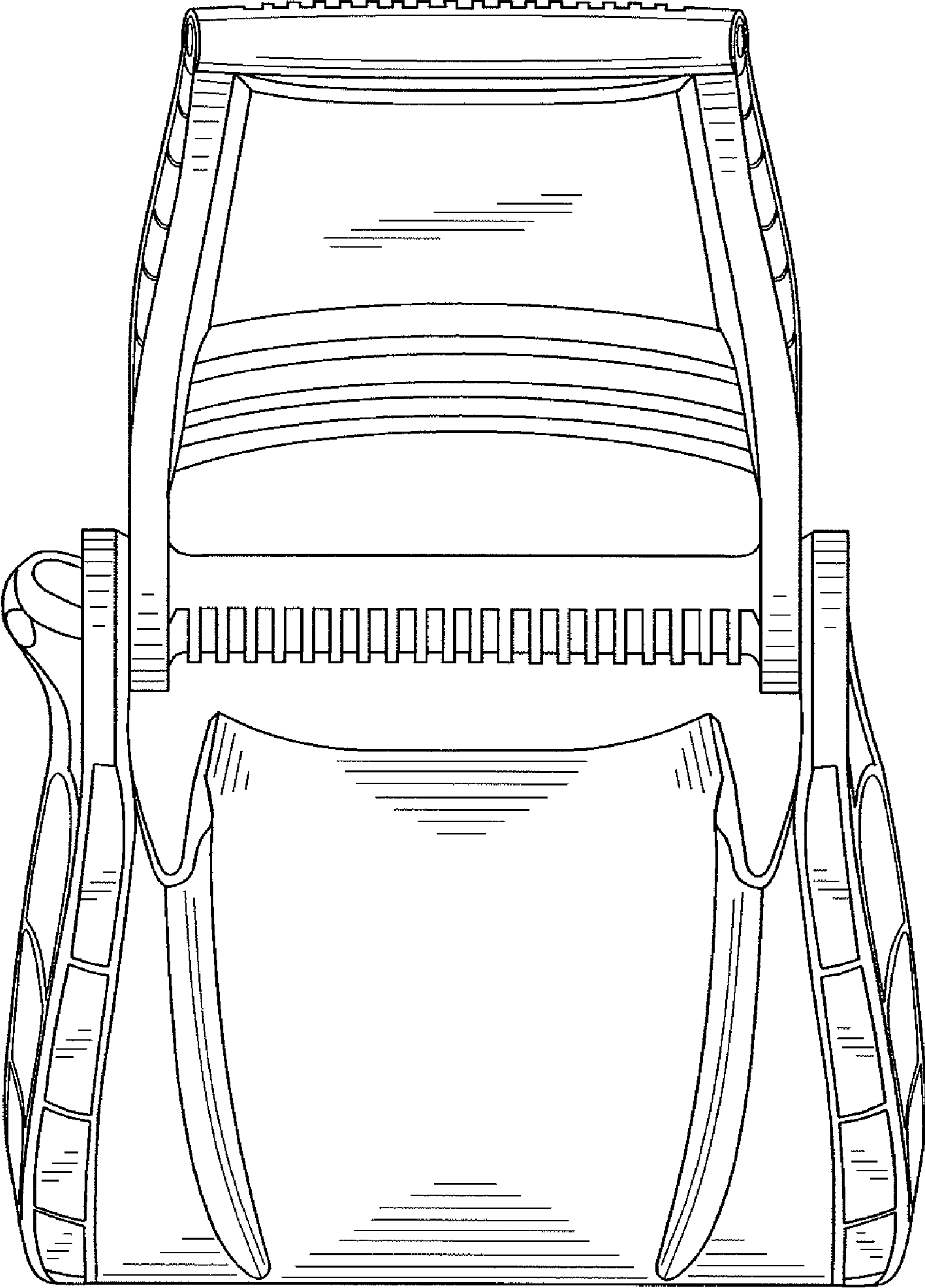


FIG. 3

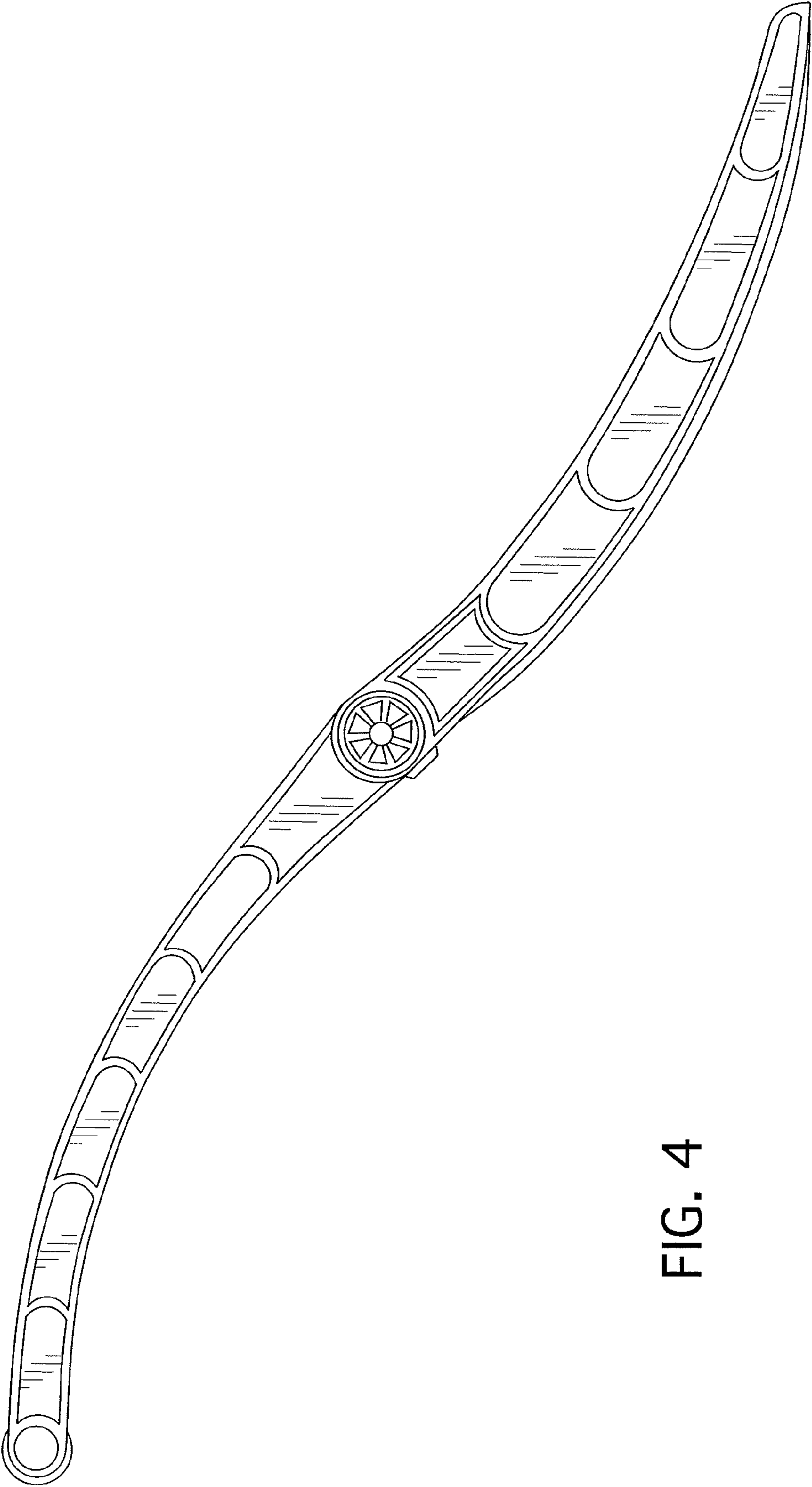


FIG. 4

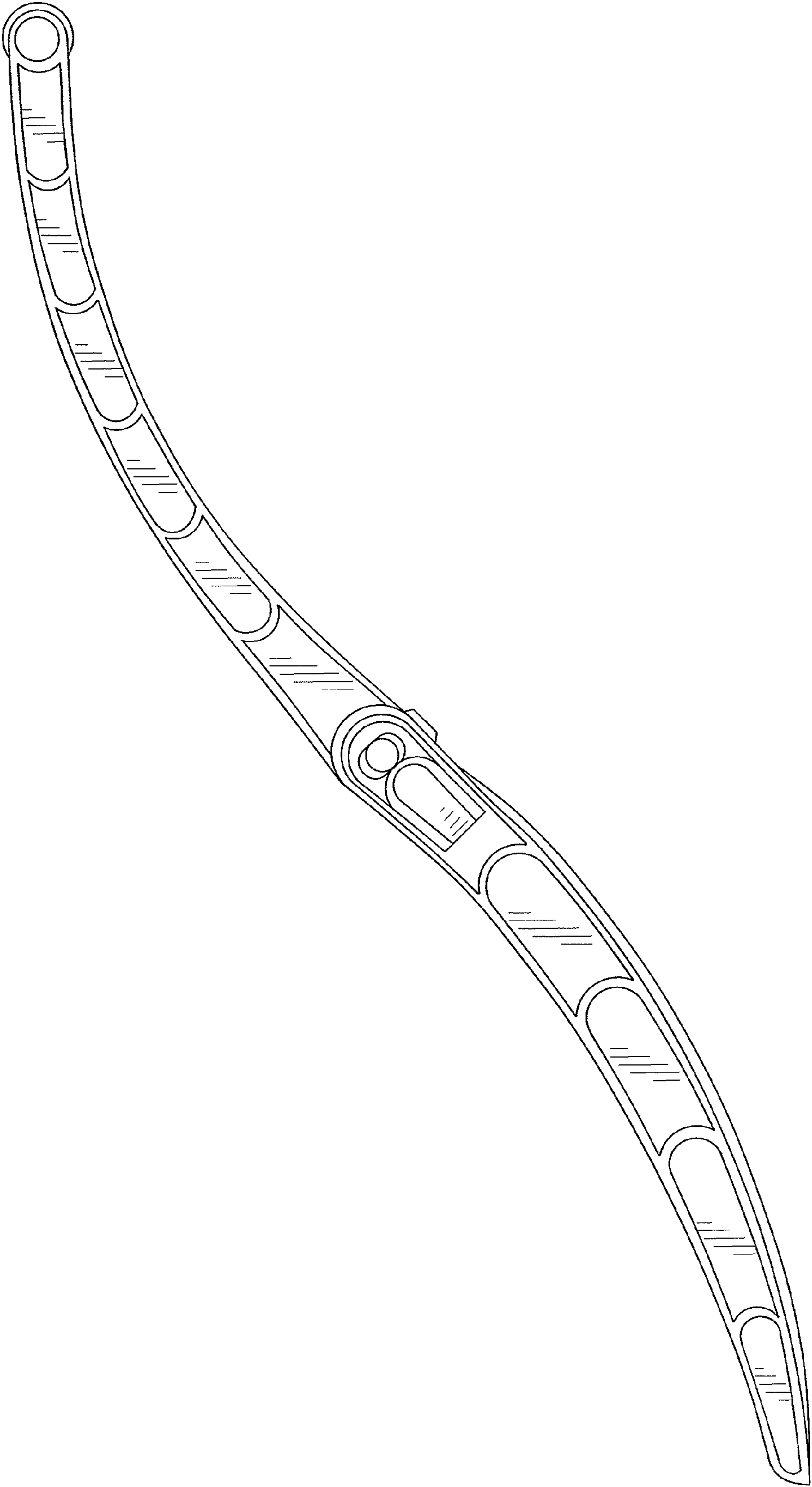


FIG. 5

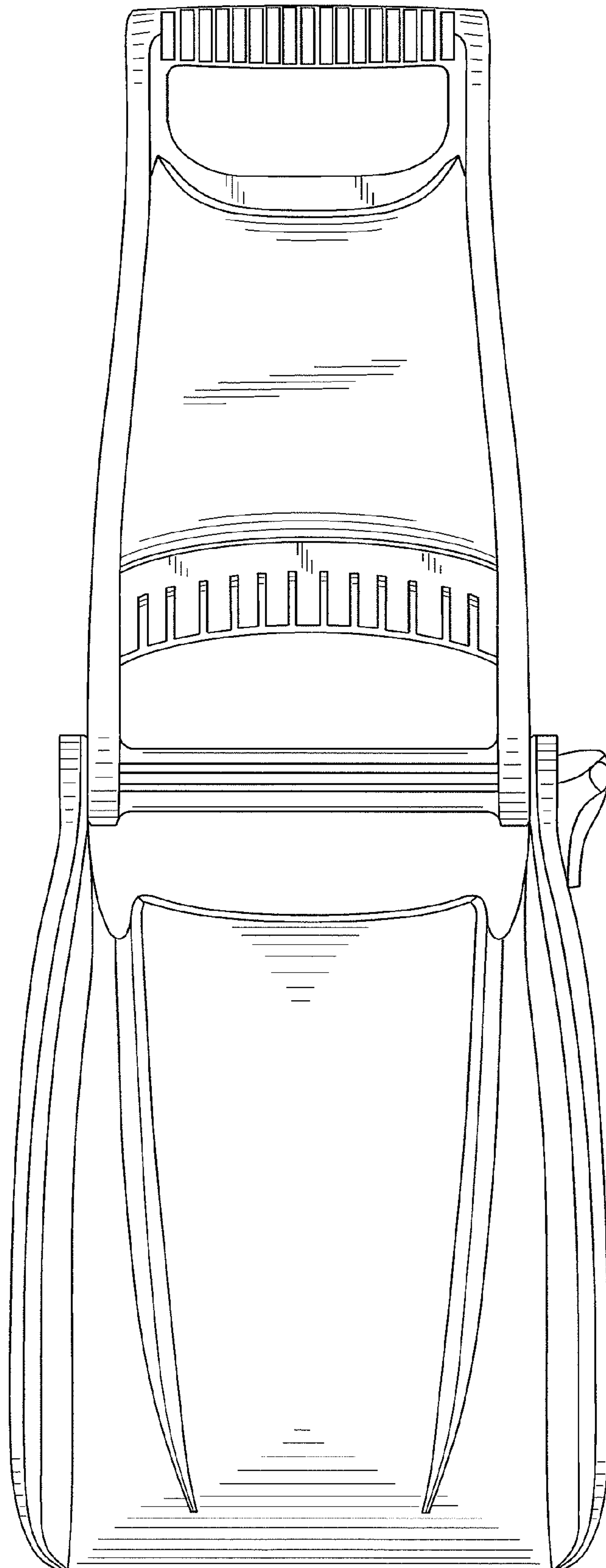


FIG. 6

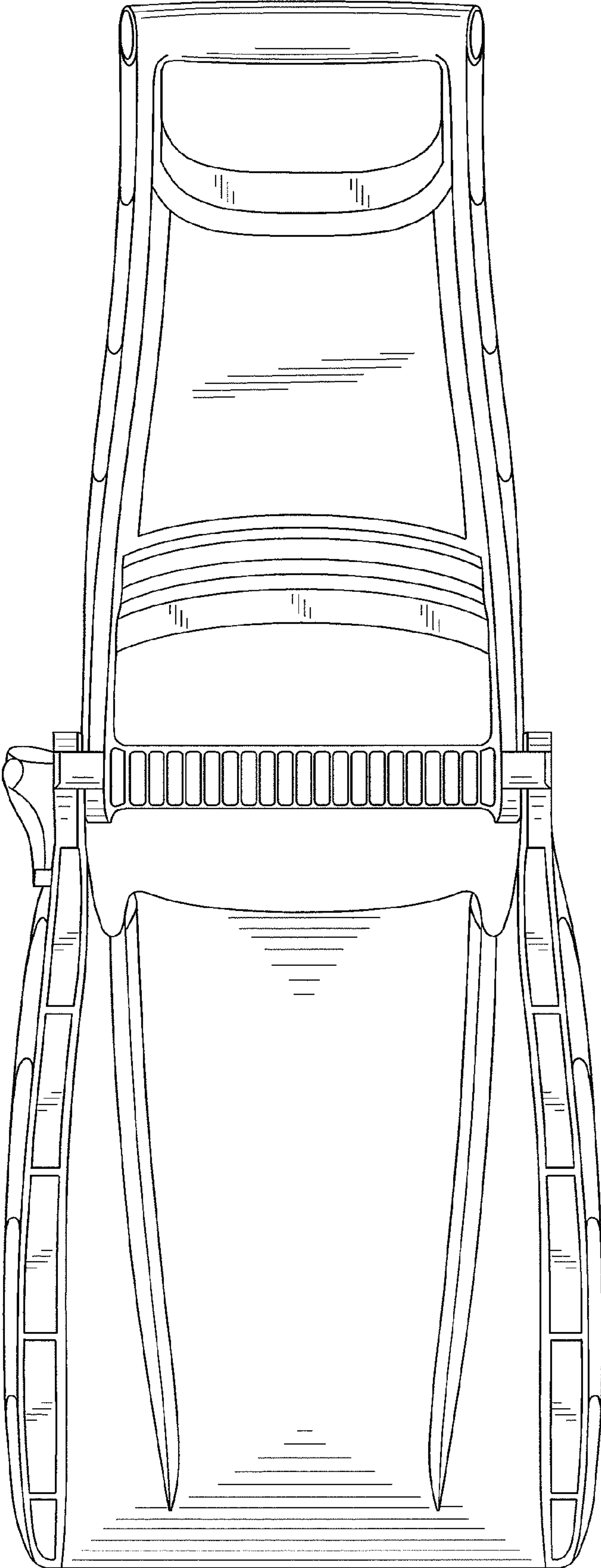


FIG. 7

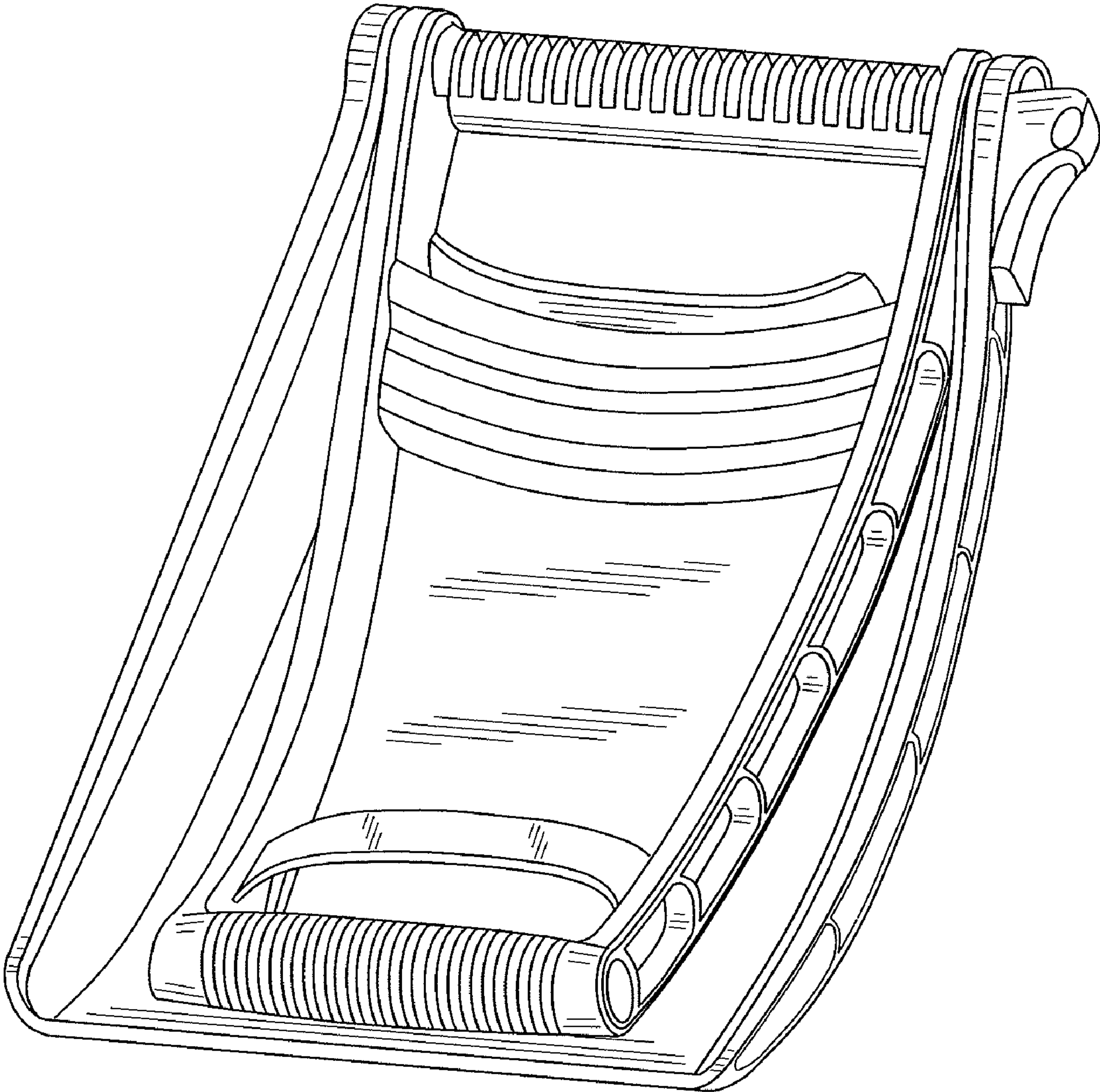


FIG. 8

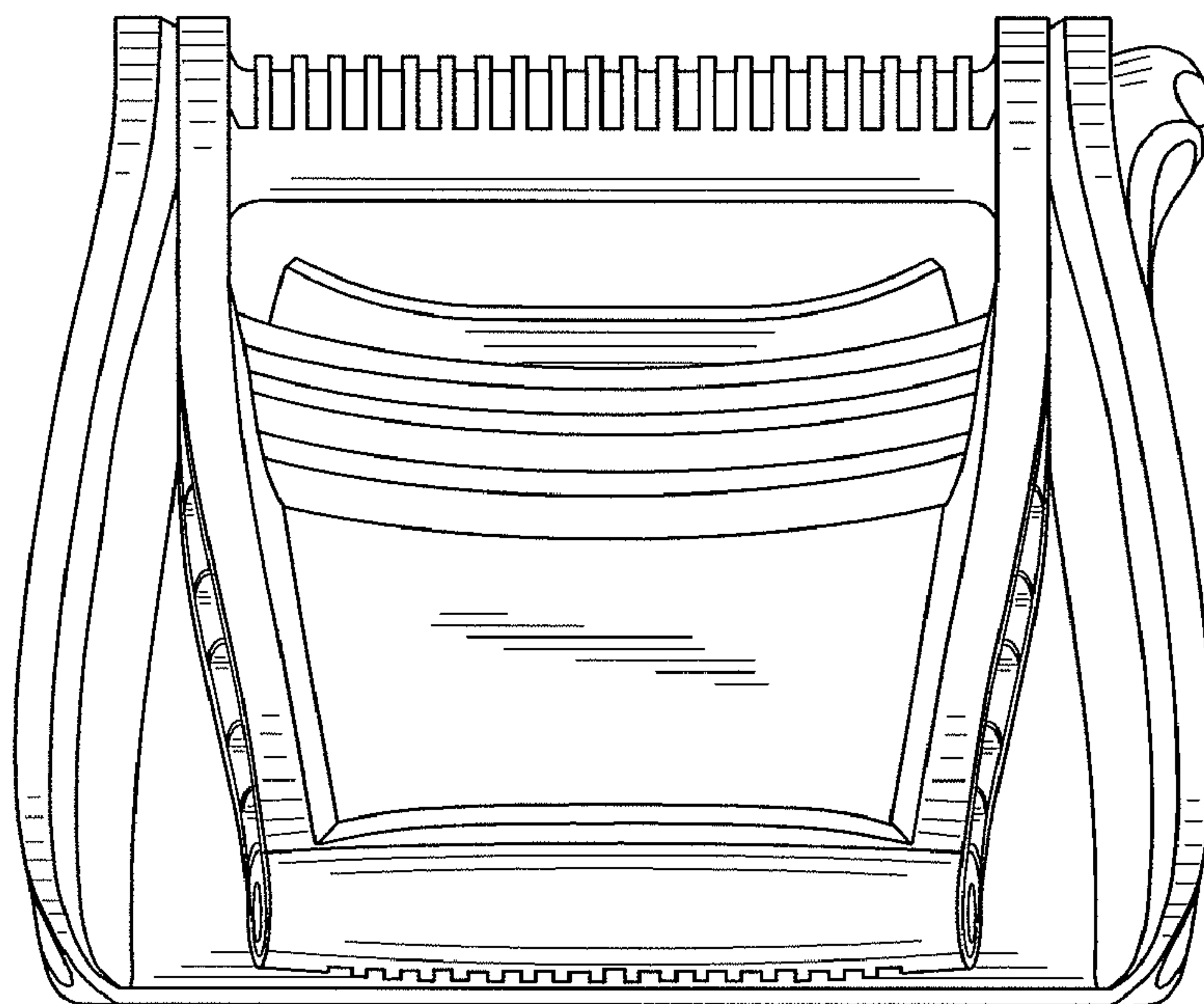


FIG. 9

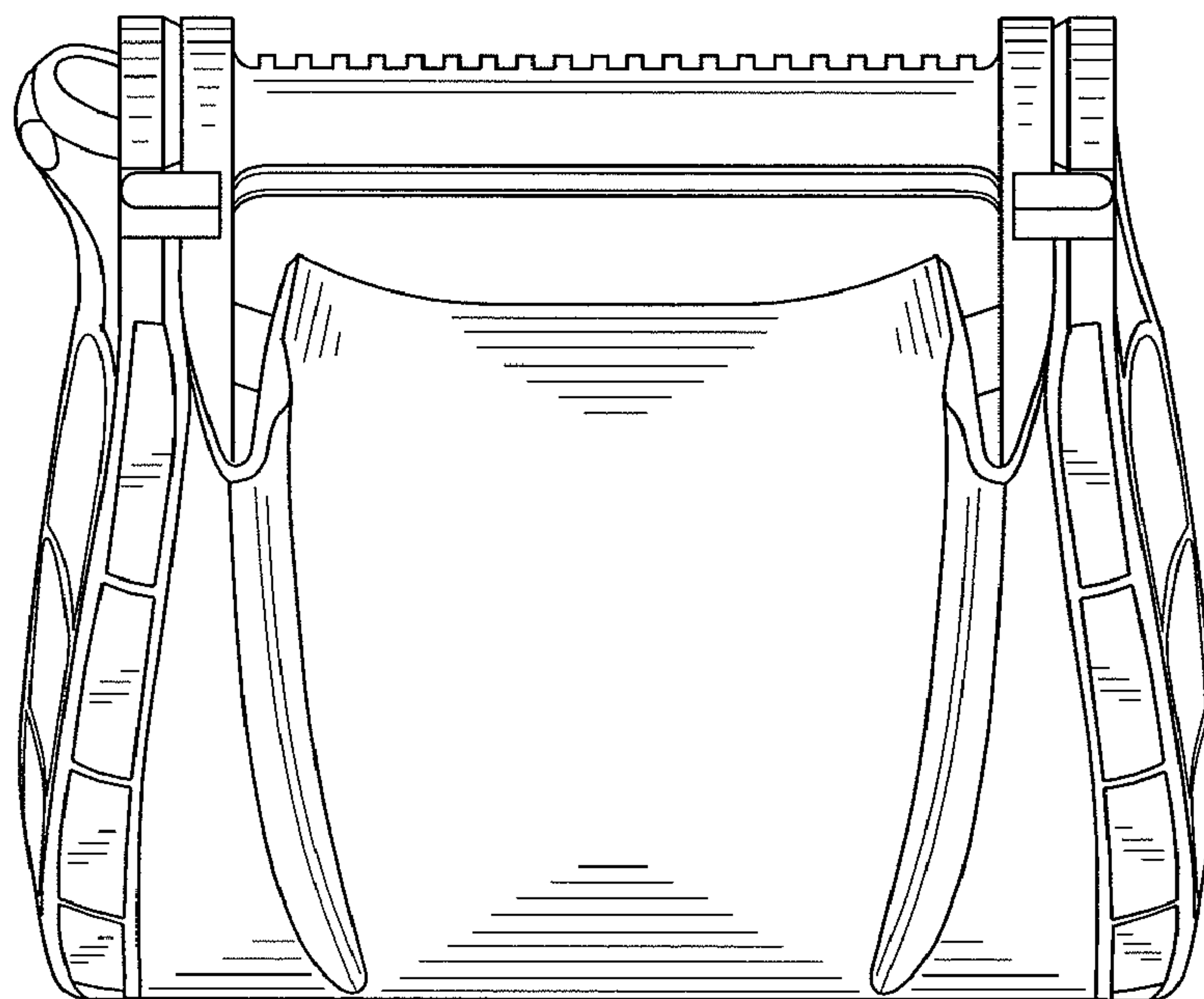


FIG. 10

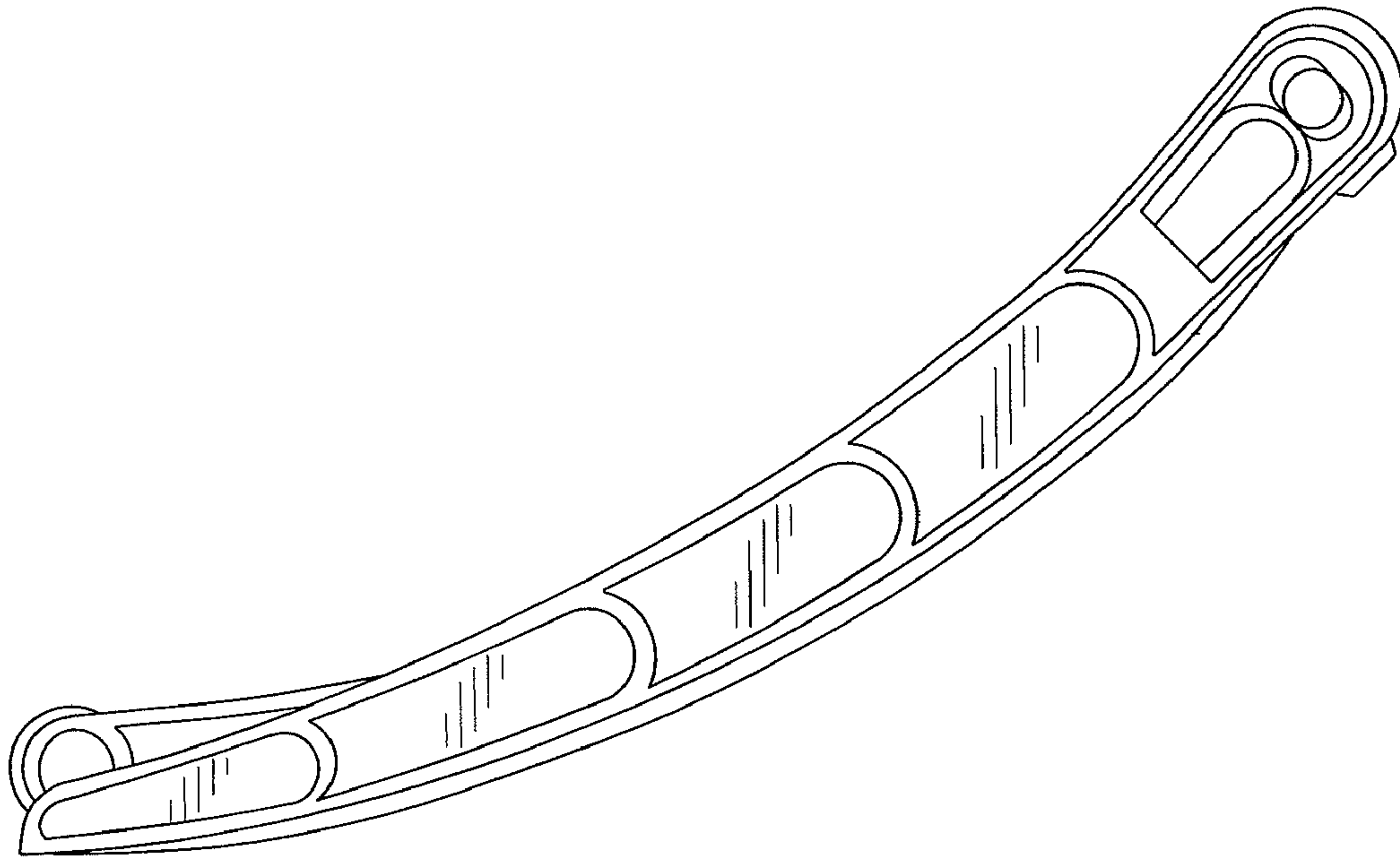


FIG. 11

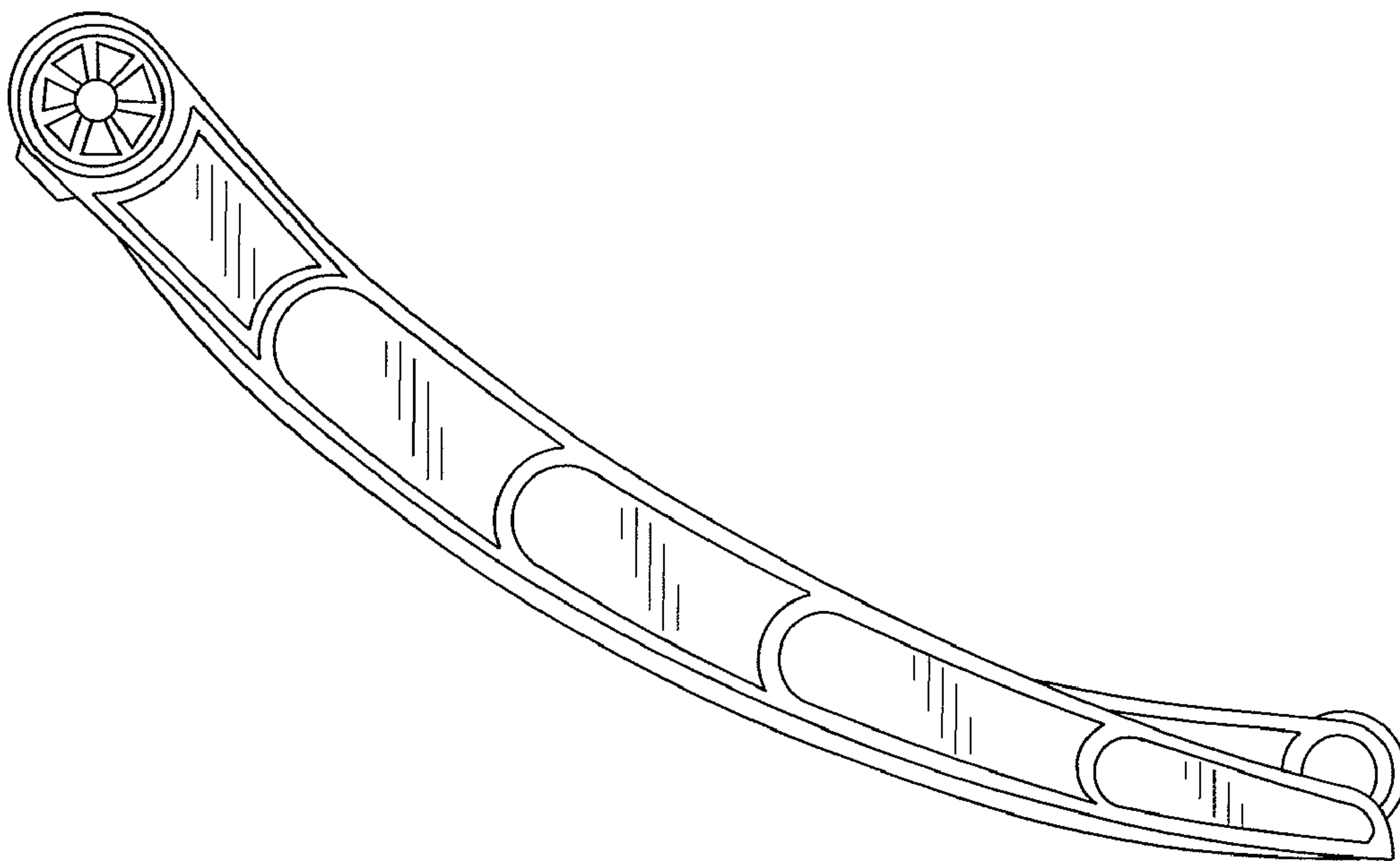


FIG. 12

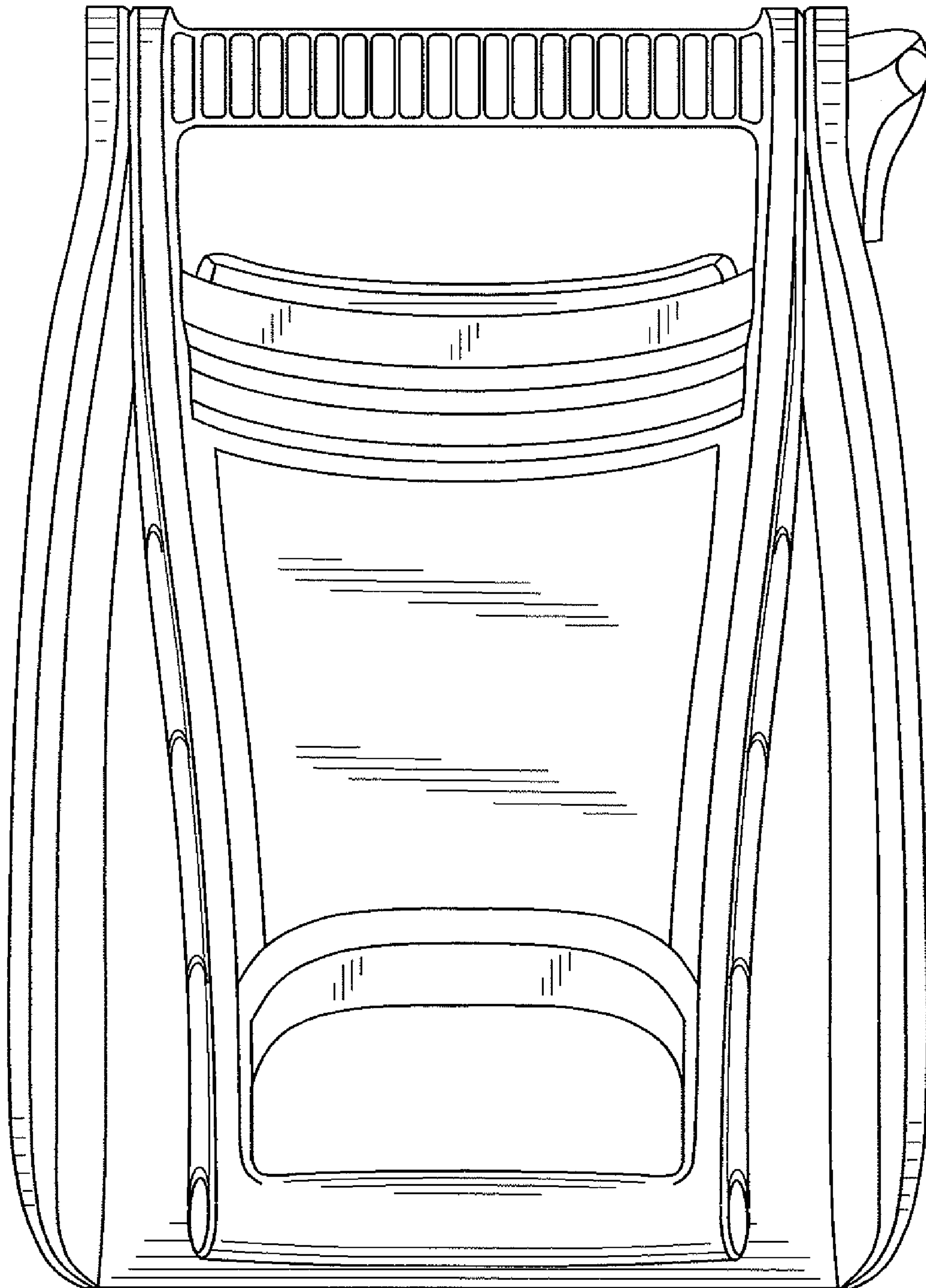


FIG. 13

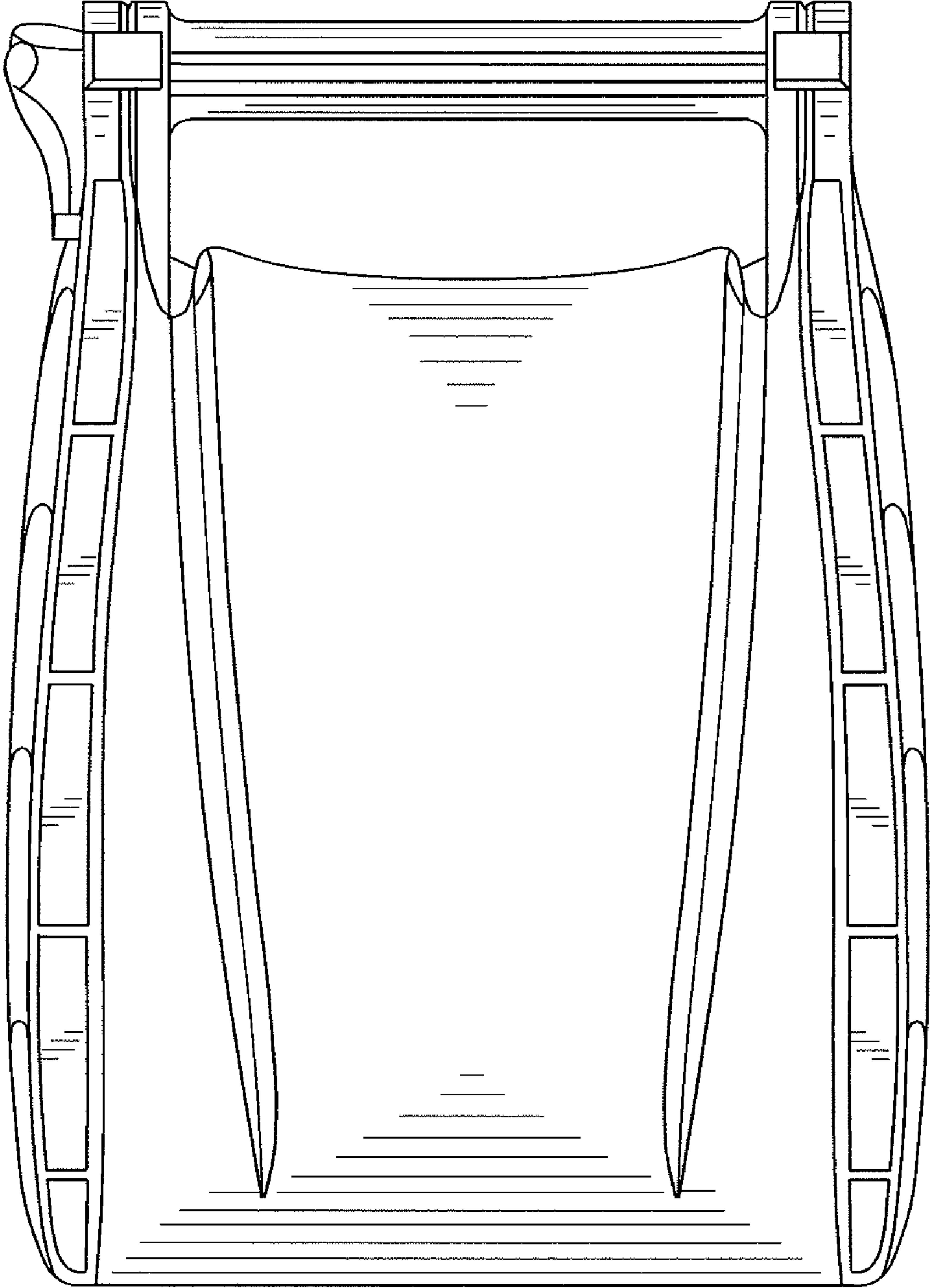


FIG. 14