



US00D637870S

(12) **United States Design Patent**  
**Bock**

(10) **Patent No.:** **US D637,870 S**

(45) **Date of Patent:** **\*\* May 17, 2011**

(54) **FOOD PROCESSOR**

(75) Inventor: **Brian C. Bock**, Midlothian, VA (US)

(73) Assignee: **Hamilton Beach Brands, Inc.**, Glen Allen, VA (US)

(\*\*) Term: **14 Years**

(21) Appl. No.: **29/380,677**

(22) Filed: **Dec. 9, 2010**

(51) **LOC (9) Cl.** ..... **07-02**

(52) **U.S. Cl.** ..... **D7/412; D7/378; D7/384; D7/386**

(58) **Field of Classification Search** ..... D7/300,  
D7/305-311, 317-318, 372-373, 376-386,  
D7/397, 412-415; D24/220; 99/279-281,  
99/300, 306-307, 348, 492, 509-511; 222/105,  
222/129.1-129.4, 146.1-146.2, 146.4-146.6;  
241/30-37.5, 101.01-101.2, 166-169.1,  
241/199.12, 285.1-285.3, 291, 292.1; 366/64-67,  
366/98, 142, 197-211, 241-254, 279-292,  
366/341-347; 392/333

See application file for complete search history.

(56) **References Cited**

**U.S. PATENT DOCUMENTS**

4,153,210	A	5/1979	Schaeffer	
4,194,697	A	3/1980	Lembeck	
4,586,666	A	5/1986	Fox	
4,688,478	A	8/1987	Williams	
5,018,675	A	5/1991	Gateaud	
5,395,060	A	3/1995	Hackel	
6,112,649	A	9/2000	Jeong	
6,397,735	B1 *	6/2002	Wong	99/492
D488,344	S *	4/2004	Seum et al.	D7/384
D502,047	S *	2/2005	Ledingham et al.	D7/384

6,986,476	B2	1/2006	Unteregger	
D526,531	S *	8/2006	Drees et al.	D7/378
D533,395	S *	12/2006	Drees et al.	D7/378
D537,674	S *	3/2007	Davenport et al.	D7/378
D577,537	S *	9/2008	Lee	D7/386
D580,216	S *	11/2008	Ryan	D7/384
7,581,688	B2 *	9/2009	Mally	241/30
D605,462	S *	12/2009	Picozza et al.	D7/386
D611,760	S *	3/2010	Ball	D7/378
D615,347	S *	5/2010	Garman et al.	D7/378
D617,136	S *	6/2010	Bock et al.	D7/378
2005/0178864	A1	8/2005	Unteregger	
2008/0156913	A1	7/2008	Orent	
2008/0163768	A1	7/2008	Glucksman	
2008/0230639	A1	9/2008	Ferraby	

\* cited by examiner

*Primary Examiner* — Ricky Pham

(74) *Attorney, Agent, or Firm* — Alexander D Raring

(57) **CLAIM**

The ornamental design for a food processor, as shown and described.

**DESCRIPTION**

FIG. 1 is a perspective view as seen from the top, front and right side of a food processor showing the new design;

FIG. 2 is a front view thereof;

FIG. 3 is a rear view thereof;

FIG. 4 is a right side view thereof;

FIG. 5 is a left side view thereof;

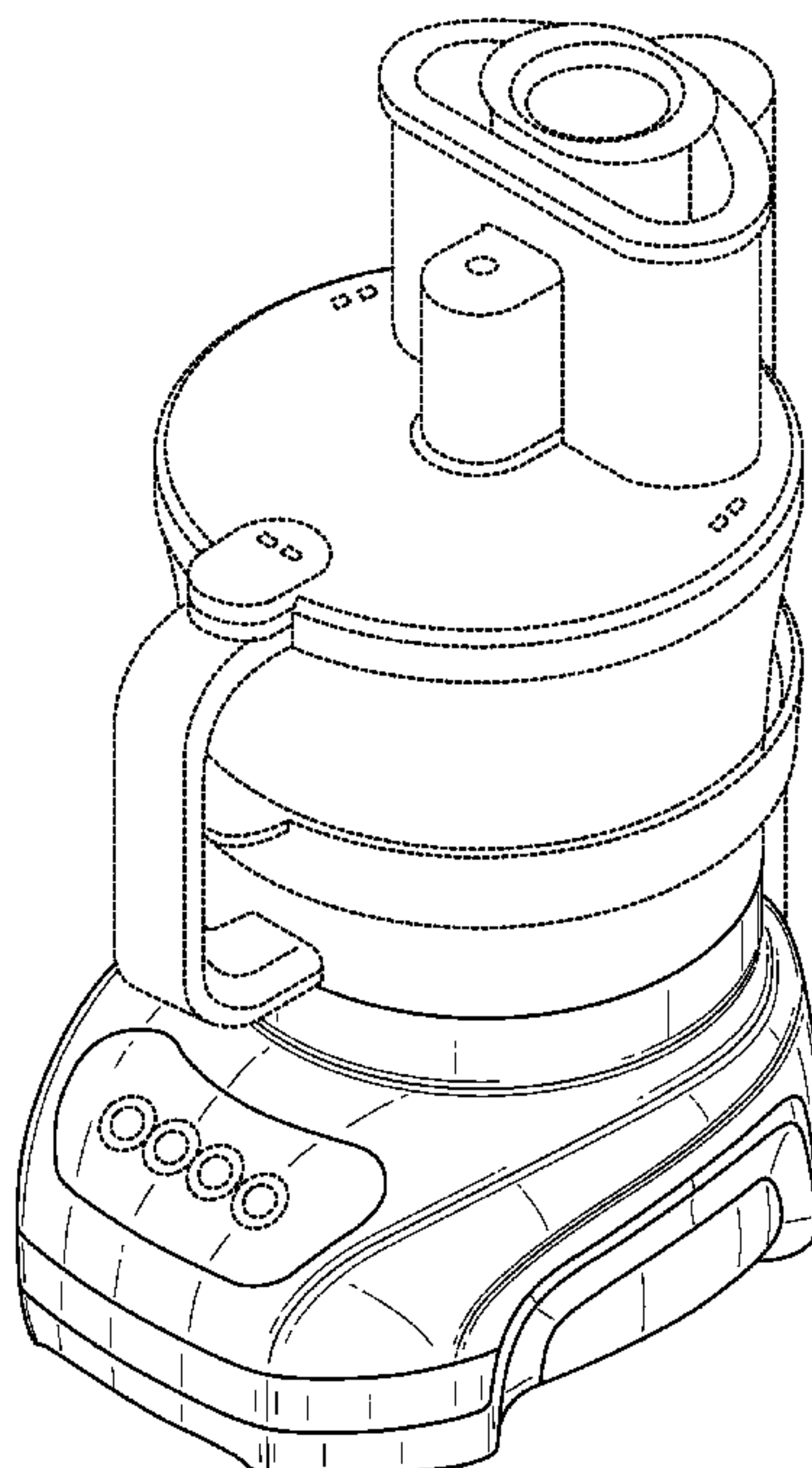
FIG. 6 is a top view thereof;

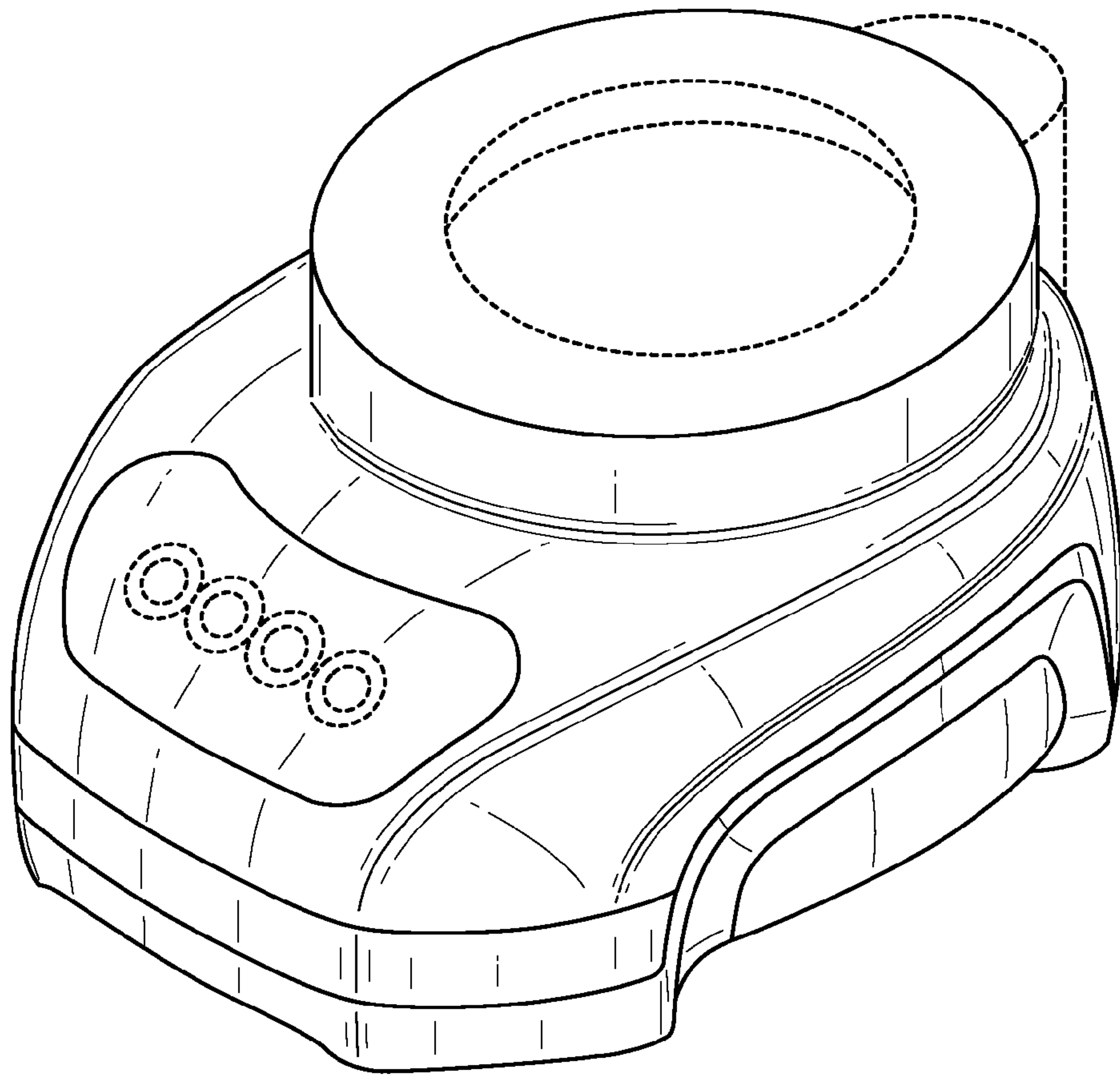
FIG. 7 is a bottom view thereof; and,

FIG. 8 is a perspective view as seen from the top, front and right thereof.

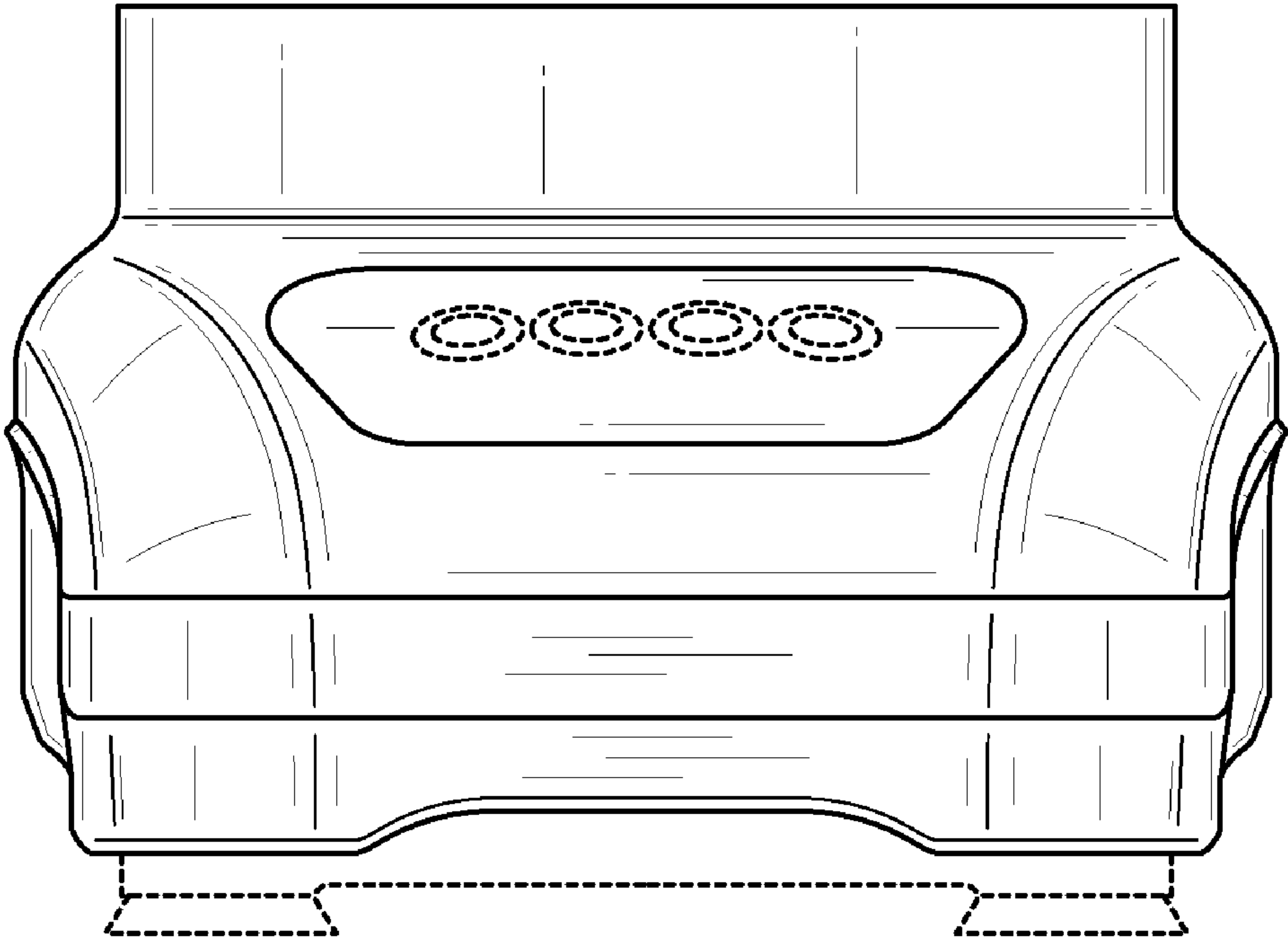
The broken lines in the drawings are included for illustrative purposes only and form no part of the claimed design.

**1 Claim, 8 Drawing Sheets**

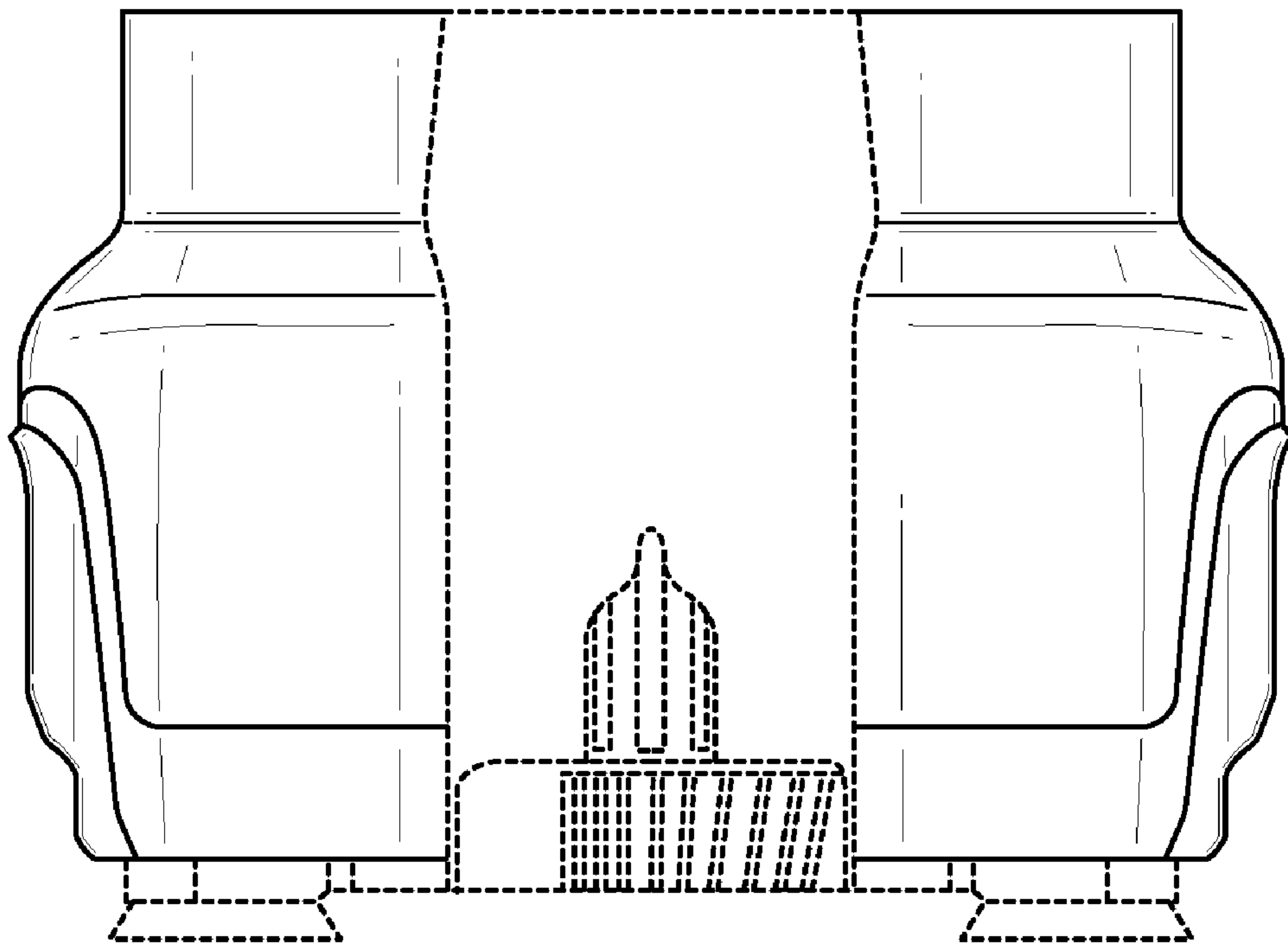




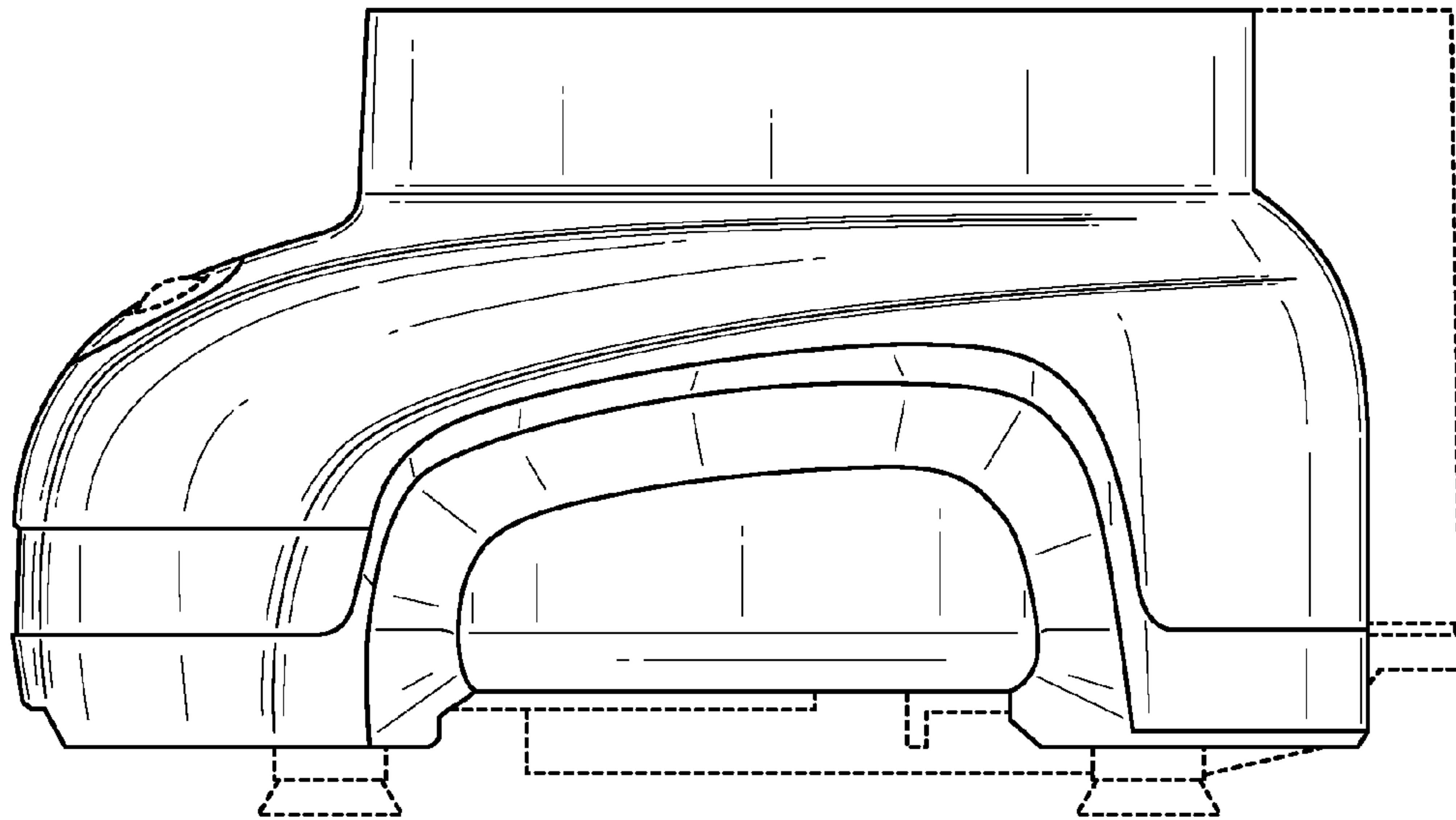
**FIG. 1**



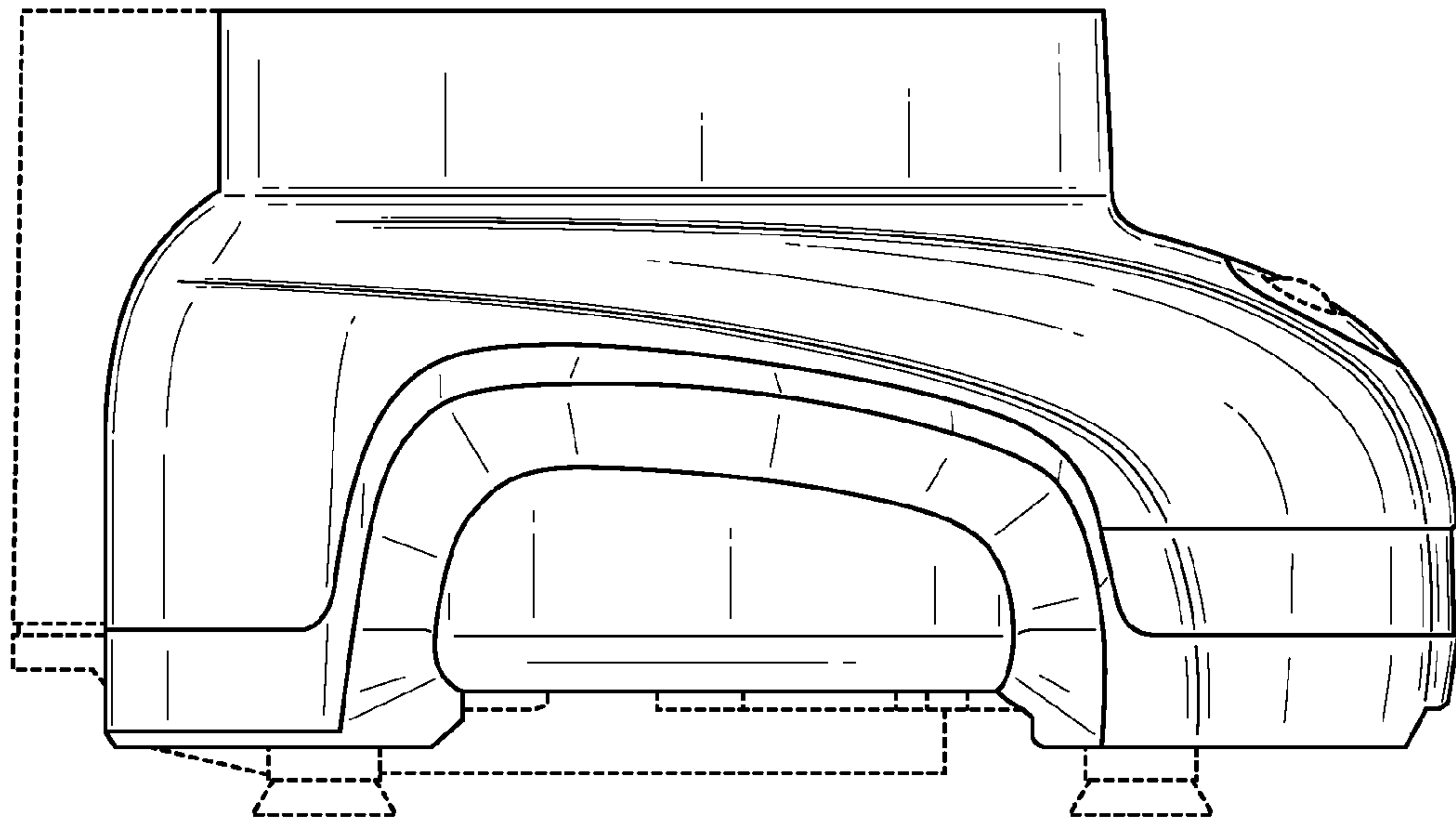
**FIG. 2**



**FIG. 3**

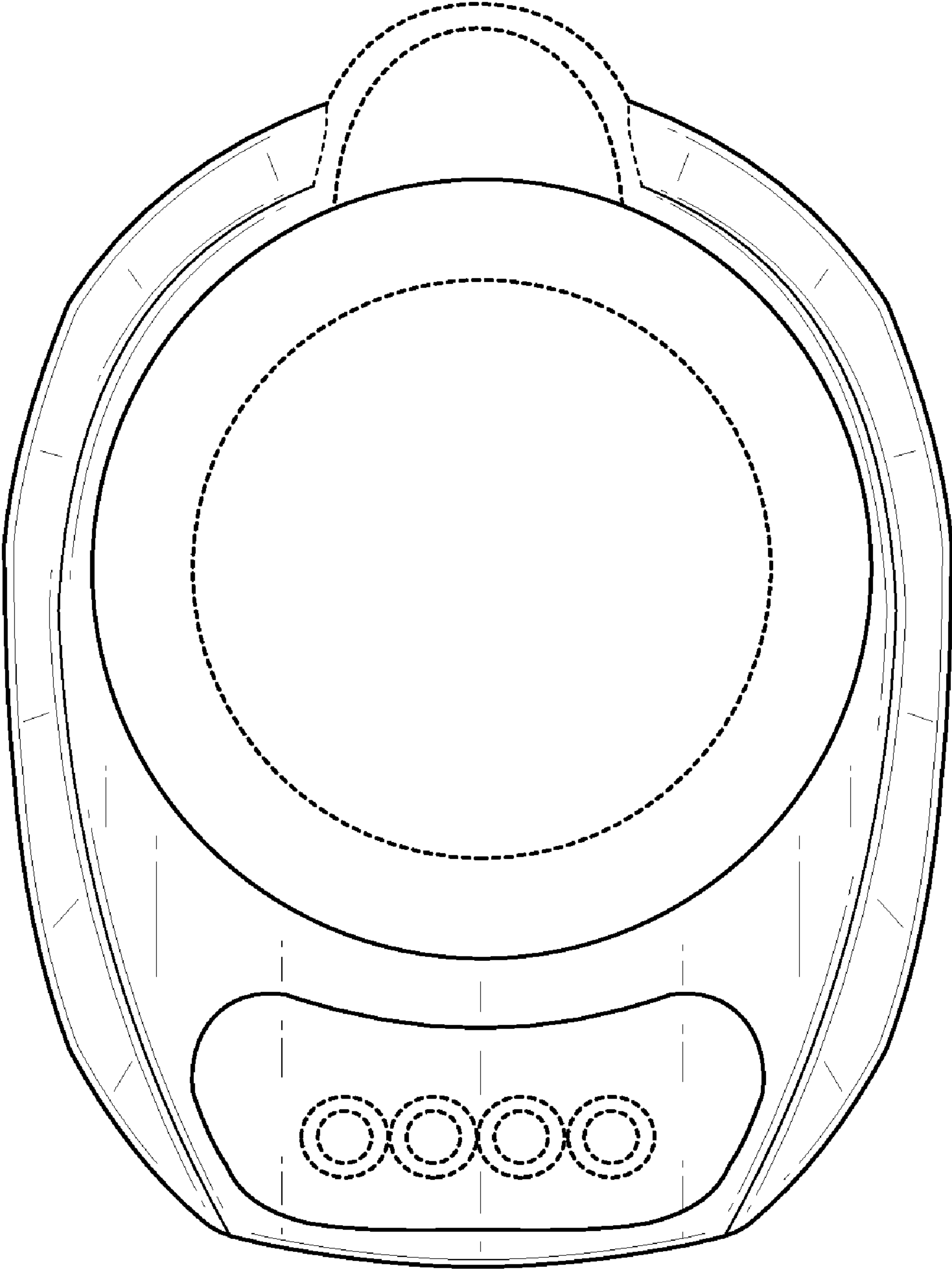


**FIG. 4**

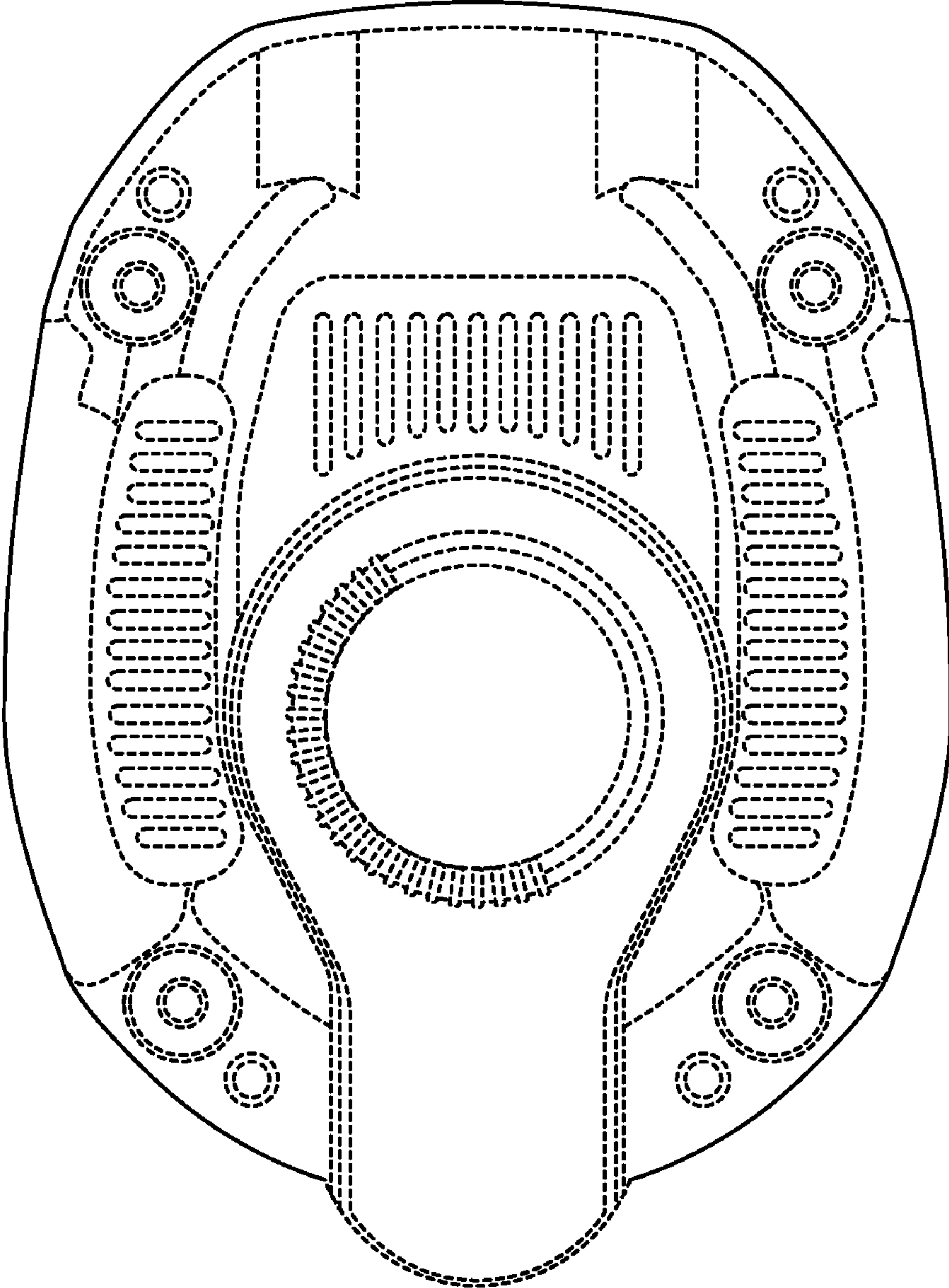


**FIG. 5**



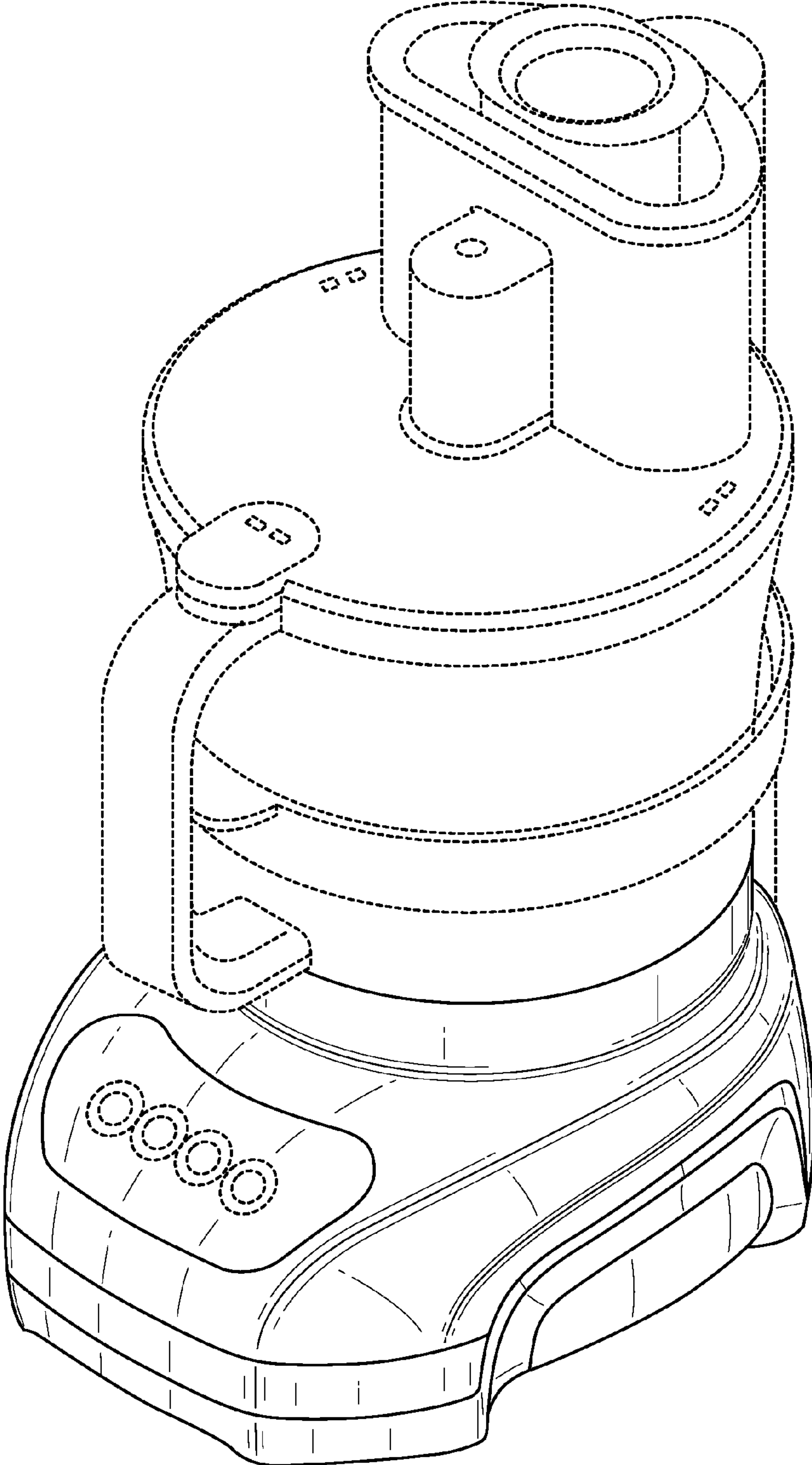


**FIG. 6**



**FIG. 7**





**FIG. 8**