

US00D637869S

(12) **United States Design Patent**
Minshall et al.

(10) **Patent No.:** **US D637,869 S**
(45) **Date of Patent:** **** May 17, 2011**

(54) **BARBECUE DISPLAY**

(75) Inventors: **Patrick Minshall**, Caledon (CA);
Sydney Barkhouse, Oakville (CA);
Shawn Long, Orangeville (CA); **Orrin**
Bowser, Barrie (CA)

(73) Assignee: **Wolfedale Engineering Limited**,
Ontario (CA)

(**) Term: **14 Years**

(21) Appl. No.: **29/355,191**

(22) Filed: **Feb. 4, 2010**

Related U.S. Application Data

(62) Division of application No. 29/332,225, filed on Feb.
11, 2009.

(30) **Foreign Application Priority Data**

Nov. 17, 2008 (CA) 128629
Jan. 7, 2009 (CA) 129262

(51) **LOC (9) Cl.** **07-02**

(52) **U.S. Cl.** **D7/402**

(58) **Field of Classification Search** D7/406,
D7/402; D10/102; D13/162, 177; 126/39 G,
126/25 R, 41 R; 73/204.11

See application file for complete search history.

(56) **References Cited**

U.S. PATENT DOCUMENTS

4,499,630 A 2/1985 Harris et al.
D287,947 S * 1/1987 Hicks et al. D10/102
D307,858 S * 5/1990 Yoo D7/406
5,323,758 A 6/1994 Minshall et al.
5,499,427 A 3/1996 Bowman
5,927,267 A 7/1999 McKenzie
5,941,228 A 8/1999 McKenzie
D460,313 S 7/2002 Crookshanks et al.
D462,234 S 9/2002 Alden et al.

D462,564 S 9/2002 Brake et al.
6,463,630 B1 10/2002 Howie, Jr.
D467,489 S 12/2002 Rubinson
D470,357 S 2/2003 Home
D470,718 S * 2/2003 Johnson D7/402
D472,422 S 4/2003 Pai
D472,756 S 4/2003 Pai
D474,070 S 5/2003 McKenzie
6,561,179 B1 5/2003 Brake et al.
D482,292 S * 11/2003 Minshall et al. D10/102
D482,950 S 12/2003 McKenzie
6,687,957 B2 2/2004 Worrell
6,726,159 B2 4/2004 Brake
D493,090 S 7/2004 Chen et al.
D495,200 S 8/2004 McKenzie
6,854,812 B2 2/2005 Brake
D511,650 S 11/2005 McKenzie
D521,308 S 5/2006 Tseng
D528,848 S 9/2006 Chung

(Continued)

FOREIGN PATENT DOCUMENTS

CA 48732 9/1981

(Continued)

Primary Examiner — Ruth McInroy

(74) *Attorney, Agent, or Firm* — Knoble Yoshida &
Dunleavy, LLC

(57) **CLAIM**

The ornamental design for a barbecue display, as shown and
described.

DESCRIPTION

FIG. 1 is an isometric view of a barbecue display showing our
new design;

FIG. 2 is a front view thereof;

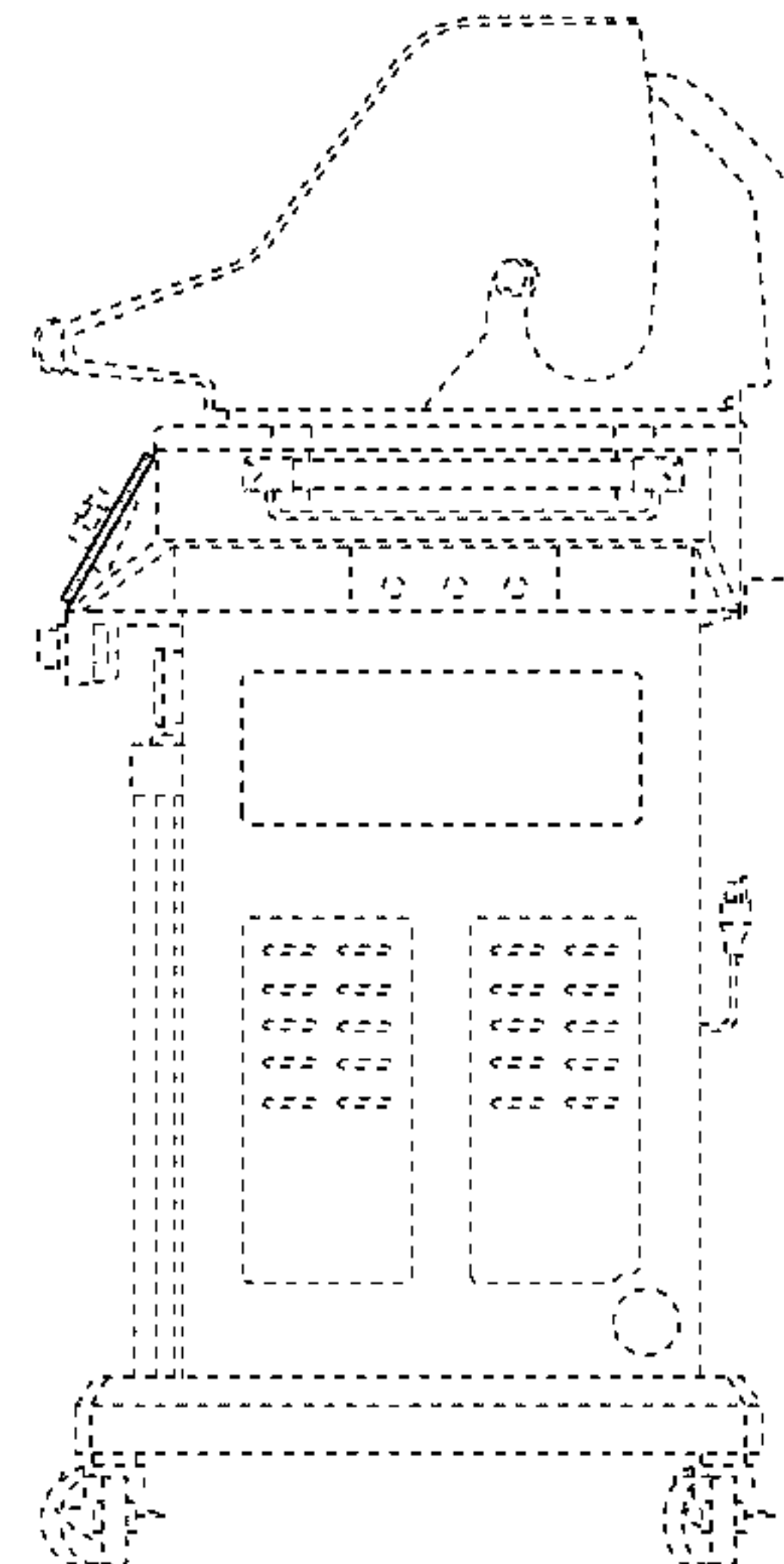
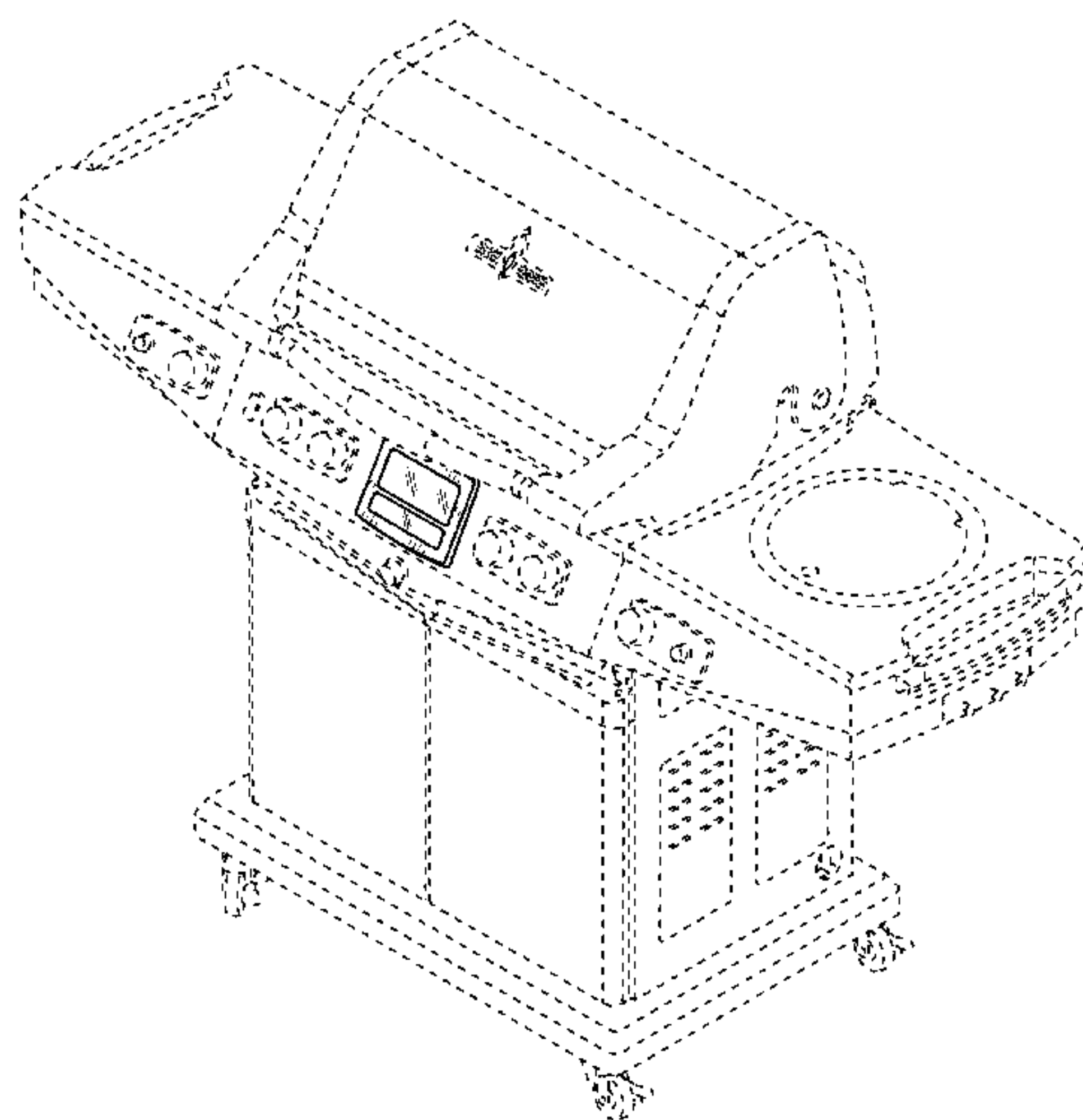
FIG. 3 is a top plan view thereof;

FIG. 4 is a side elevation view thereof; and,

FIG. 5 is an enlarged front view thereof.

The details shown in broken lines form no part of the claimed
design.

1 Claim, 5 Drawing Sheets



US D637,869 S

Page 2

U.S. PATENT DOCUMENTS

D533,010	S	12/2006	Pai	
D533,011	S	12/2006	Pai	
D536,927	S	2/2007	McKenzie	
D538,592	S	3/2007	McKenzie	
D538,593	S	3/2007	McKenzie	
D539,087	S	3/2007	McKenzie	
7,207,326	B2	4/2007	McKenzie et al.	
D541,588	S	5/2007	McKenzie	
D542,089	S	5/2007	McKenzie	
D546,116	S	7/2007	Tseng	
D546,622	S	7/2007	McKenzie	
D546,624	S	7/2007	Pai	
D549,511	S	8/2007	Chung	
D549,514	S	8/2007	Chung	
D549,521	S	8/2007	McKenzie	
D559,619	S	1/2008	McKenzie	
D560,418	S	1/2008	Chau et al.	
D560,419	S	1/2008	Lockhart et al.	
D562,267	S *	2/2008	Renner	D13/177
D562,780	S *	2/2008	Egea Soler	D13/177
D563,150	S	3/2008	Chau et al.	
D570,790	S *	6/2008	Egea Soler	D13/162
D571,142	S	6/2008	Chung	
D571,602	S	6/2008	Chung	
D571,604	S	6/2008	Chung	
D571,605	S	6/2008	Chung	
D580,221	S	11/2008	McKenzie	
D581,199	S	11/2008	Chau	
D581,735	S	12/2008	McKenzie	
D581,879	S *	12/2008	Dukerschein et al.	D13/162
D582,715	S	12/2008	Pai	
D584,562	S	1/2009	Chau et al.	
D595,664	S *	7/2009	Simard et al.	D13/162
D602,737	S *	10/2009	Barkhouse et al.	D7/406
D605,466	S *	12/2009	Barkhouse et al.	D7/402

D609,045	S	2/2010	Bruno et al.	
D611,006	S *	3/2010	Lanfear et al.	D13/162
D613,699	S *	4/2010	Goyal et al.	D13/177
2002/0020303	A1	2/2002	Johnson	
2002/0020405	A1	2/2002	Coleman et al.	
2003/0029436	A1	2/2003	Carden et al.	
2003/0154971	A1	8/2003	Chapman	
2004/0154608	A1	8/2004	Ward et al.	

FOREIGN PATENT DOCUMENTS

CA	2246010	A1	2/2000
CA	2280312	A1	2/2001
CA	2281382	A1	3/2001
CA	96899		1/2003
CA	96898		1/2004
CA	98382		1/2004
CA	101024		1/2004
CA	2418515	A1	8/2004
CA	2435868	A1	8/2004
CA	103849		1/2005
CA	103850		1/2005
CA	103851		1/2005
CA	103852		1/2005
CA	103853		1/2005
CA	2493654	A1	7/2006
CA	122175		3/2009
CA	122176		3/2009
CA	122177		3/2009
CA	122178		3/2009
EP	67111-0001		8/2003
EP	67111-0002		8/2003
EP	67111-0003		8/2003
EP	67111-0004		8/2003
EP	67111-0005		8/2003

* cited by examiner

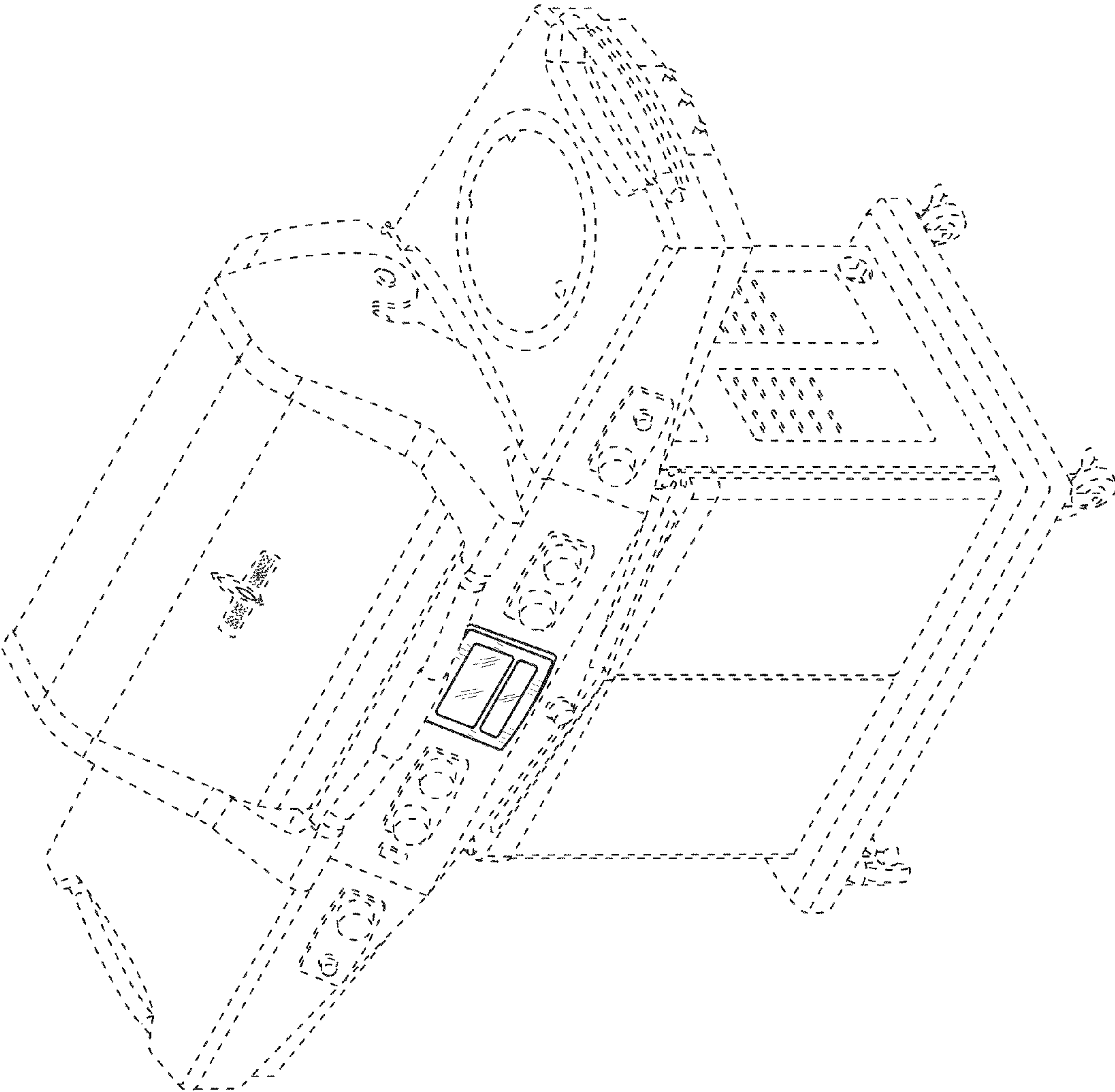


FIG. 1

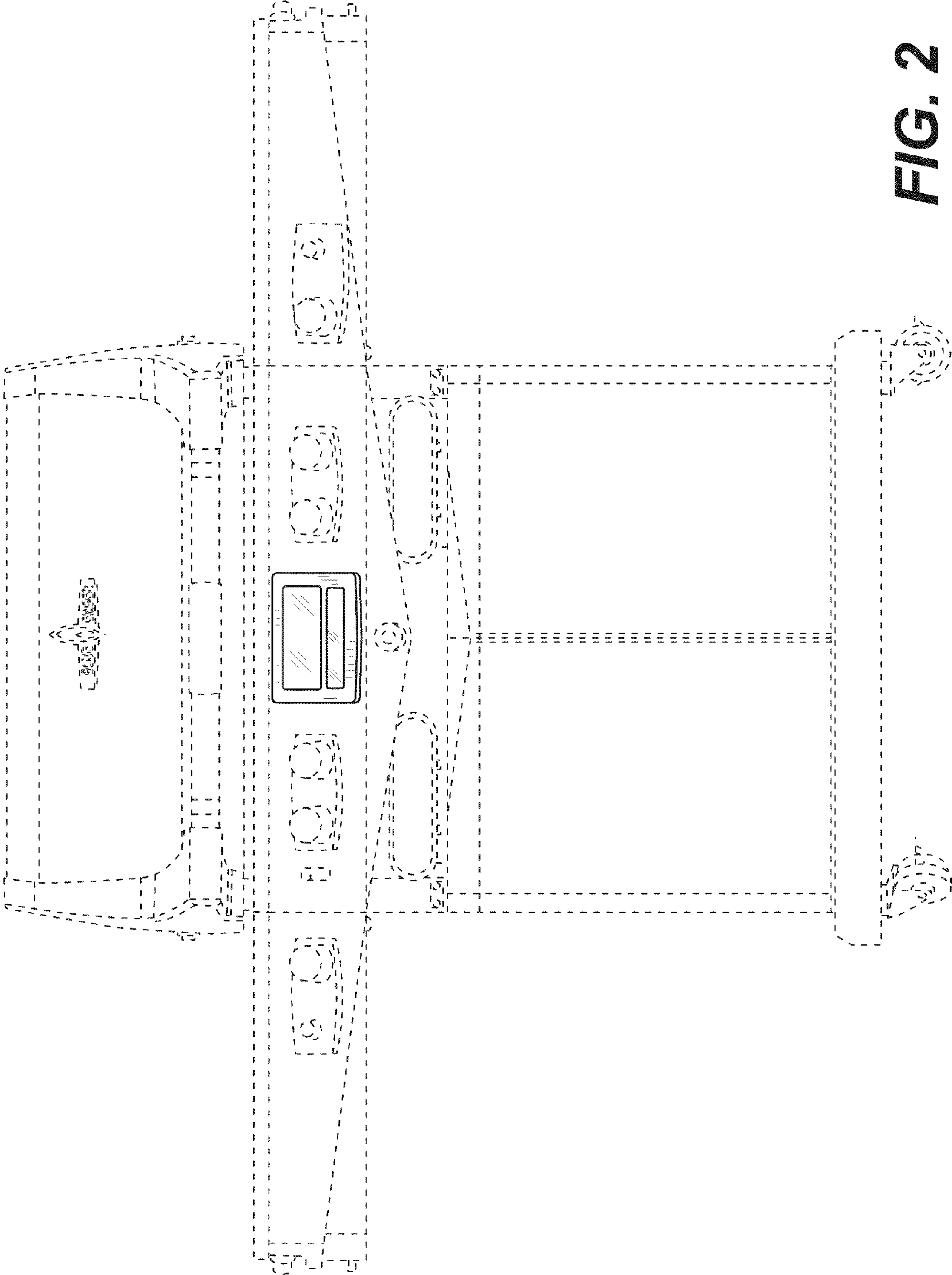


FIG. 2

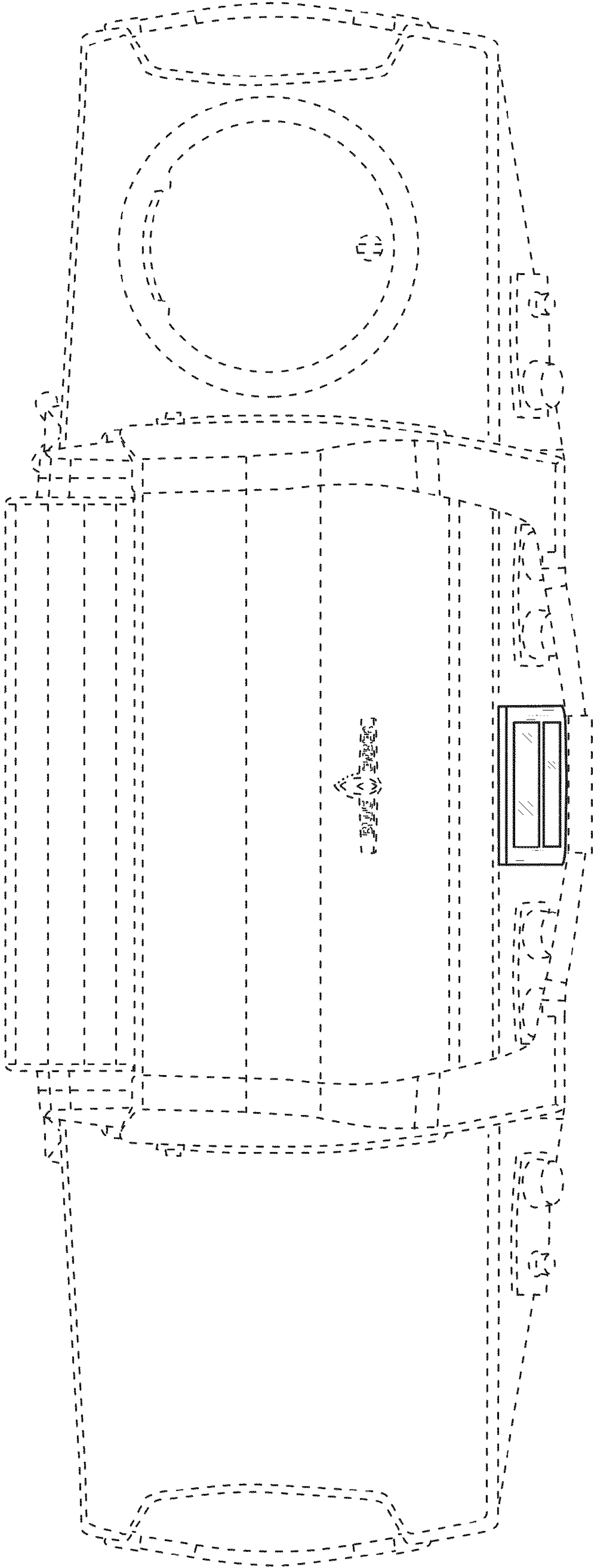


FIG. 3

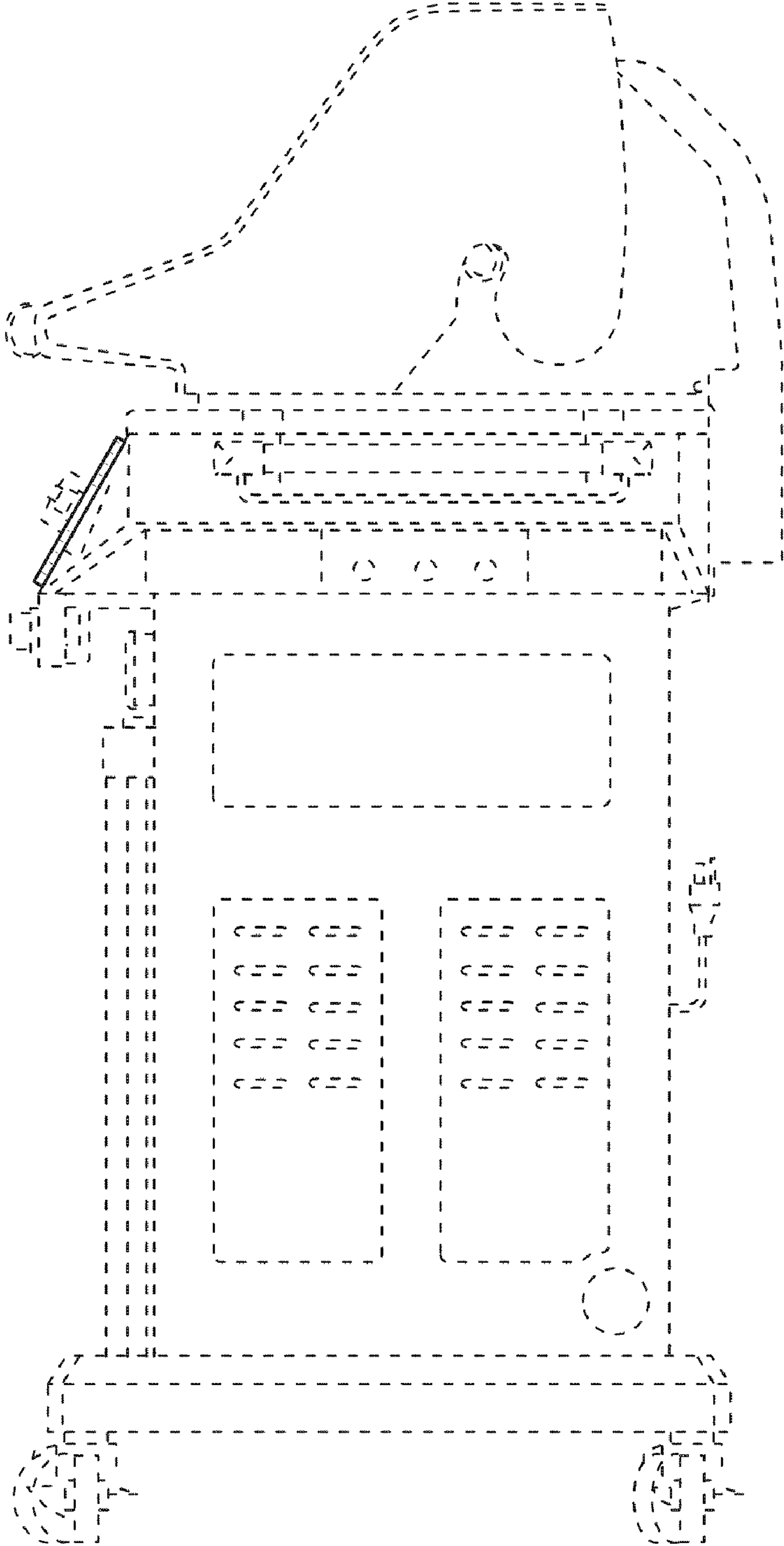


FIG. 4

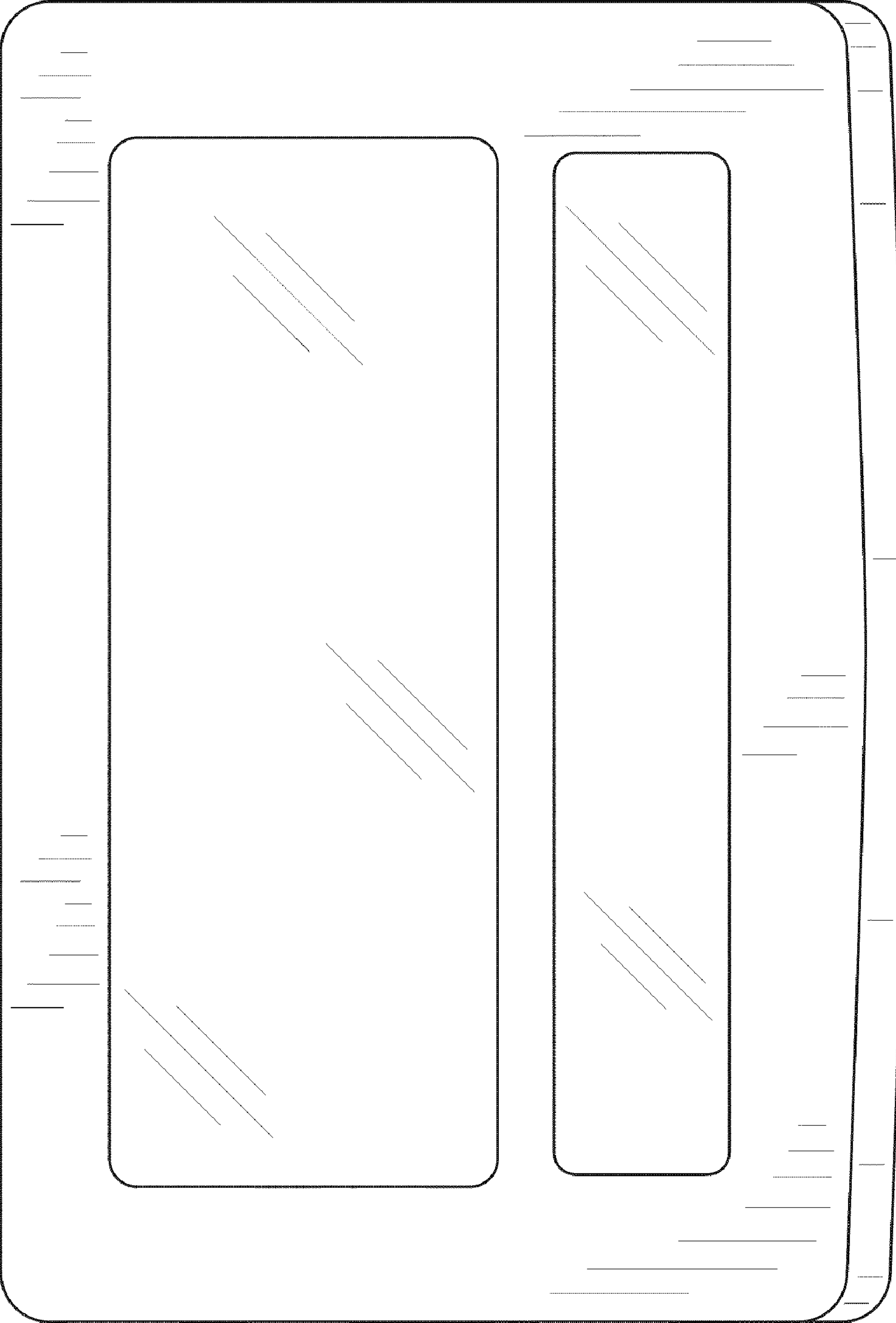


FIG. 5