



US00D637867S

(12) **United States Design Patent**
Wang

(10) **Patent No.:** **US D637,867 S**

(45) **Date of Patent:** **** May 17, 2011**

(54) **CHILD SAFETY FAUCET FOR A WATER COOLER**

(75) Inventor: **Chun Yen Wang**, El Paso, TX (US)

(73) Assignee: **MTN Products, Inc.**, La Verne, CA (US)

(**) Term: **14 Years**

(21) Appl. No.: **29/355,061**

(22) Filed: **Feb. 2, 2010**

(51) **LOC (9) Cl.** **07-01**

(52) **U.S. Cl.** **D7/398; D7/397**

(58) **Field of Classification Search** D7/398,
D7/397, 300, 313; 251/98, 335.1, 103; 222/153.1
See application file for complete search history.

(56) **References Cited**

U.S. PATENT DOCUMENTS

3,104,089	A *	9/1963	Seltsam	251/263
D337,234	S *	7/1993	McGinnis	D7/306
5,449,144	A	9/1995	Kowalics		
5,470,044	A *	11/1995	Chi	251/98

D378,400	S *	3/1997	Kowalics	D23/238
6,086,045	A	7/2000	Moon		
6,454,243	B2 *	9/2002	Kawolics et al.	251/262
D482,235	S *	11/2003	Yui	D7/398
6,880,797	B2 *	4/2005	Yui	251/103
D525,828	S *	8/2006	Daniels, Jr.	D7/398

* cited by examiner

Primary Examiner — Marianne Pandozzi

(74) *Attorney, Agent, or Firm* — Michael P. Mazza, LLC

(57) **CLAIM**

The ornamental design for a child safety faucet for a water cooler, as shown and described.

DESCRIPTION

FIG. 1 is a top, front, side perspective view of a child safety faucet for a water cooler showing my new design; FIG. 2 is a top plan view thereof; FIG. 3 is a front view thereof; FIG. 4 is a right side view thereof; FIG. 5 is a rear view thereof; and, FIG. 6 is a bottom plan view thereof.

1 Claim, 1 Drawing Sheet

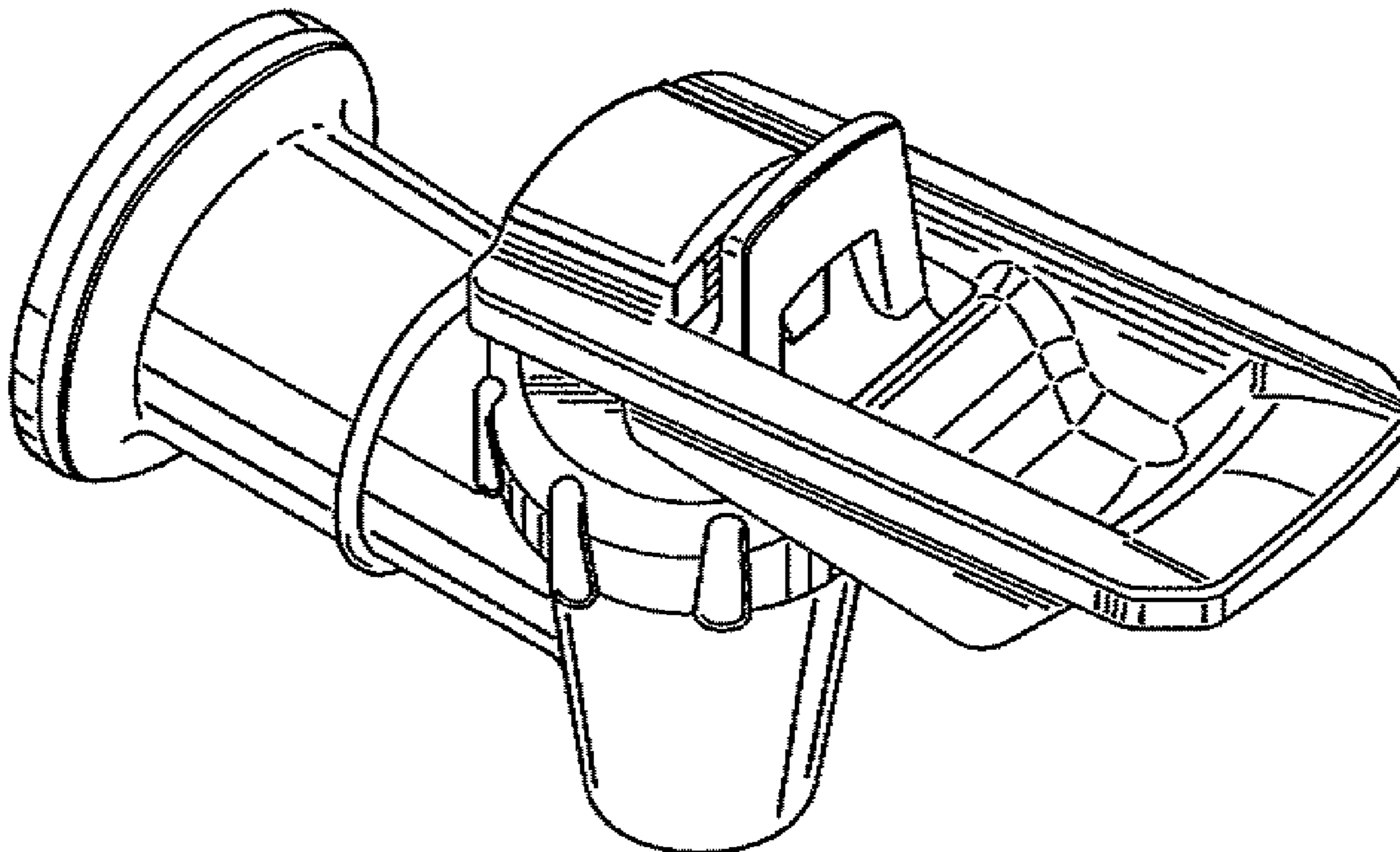


Fig. 1

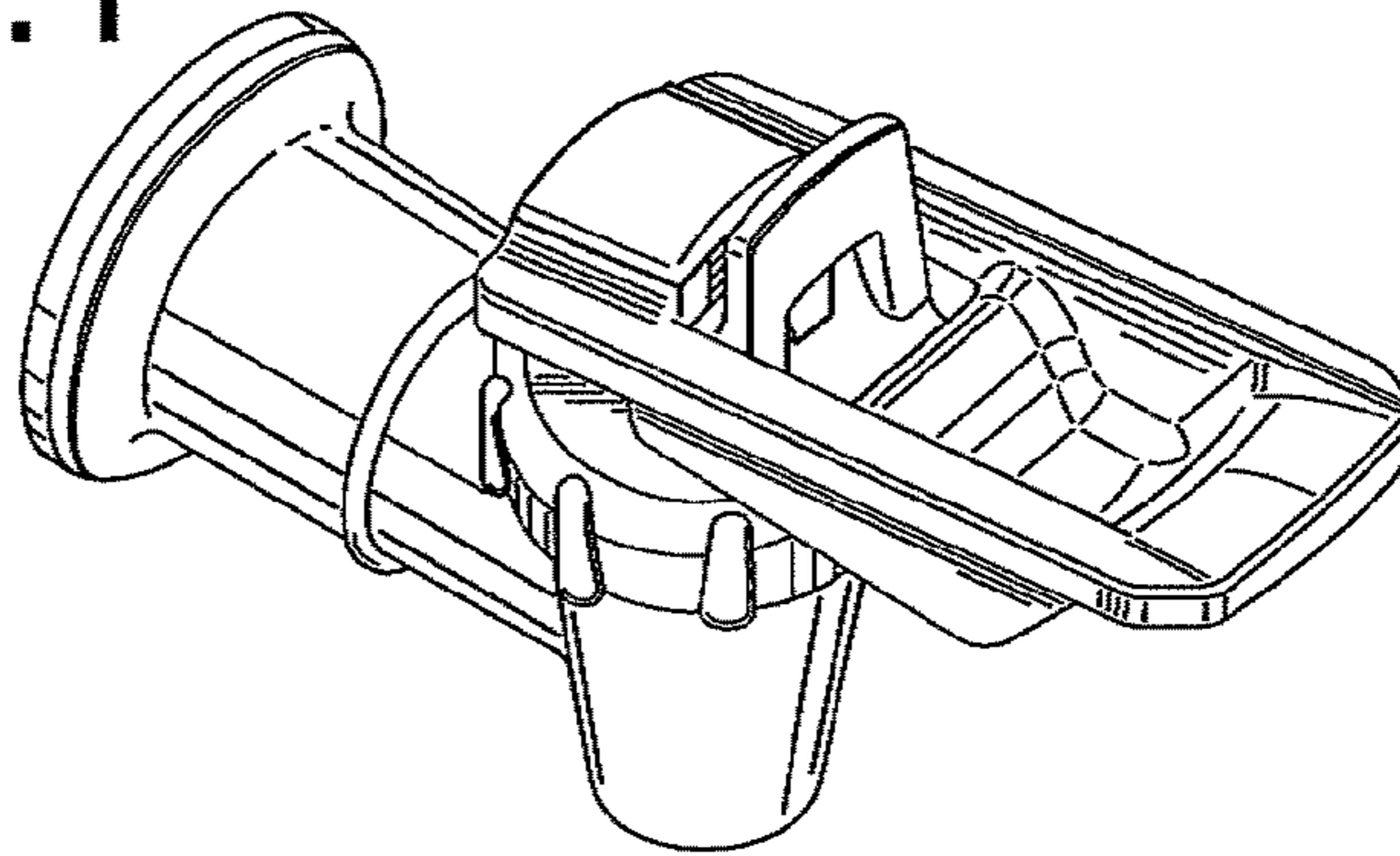


Fig. 2

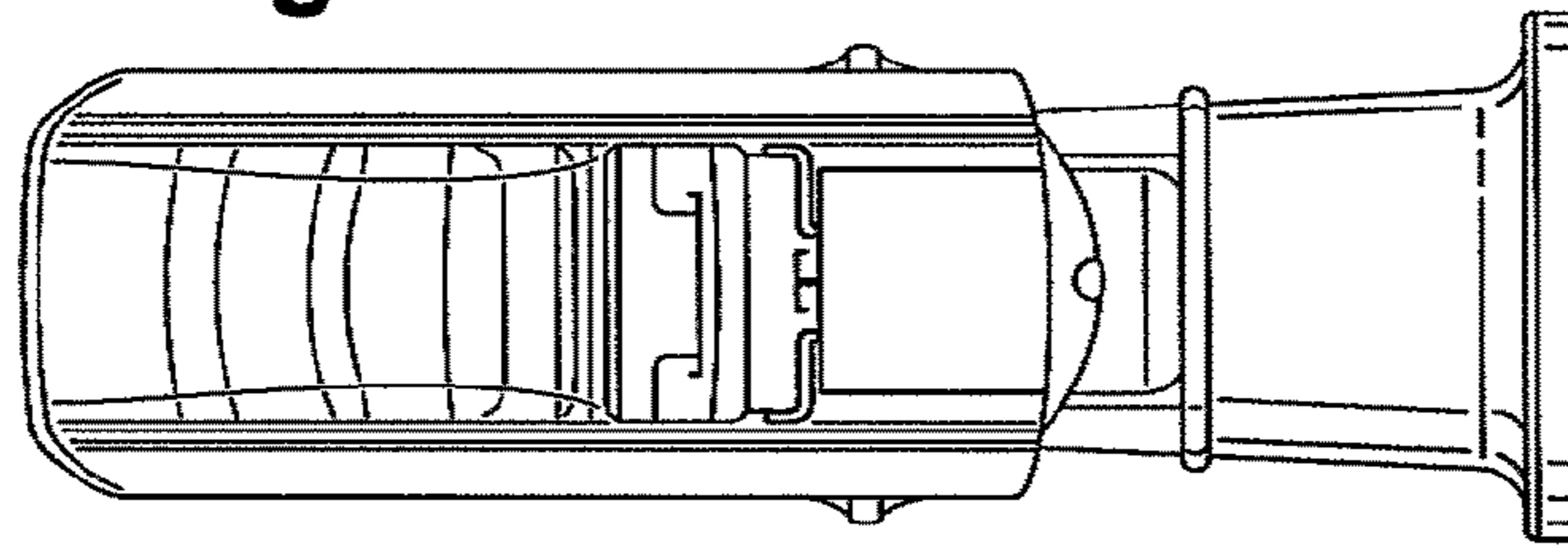


Fig. 3

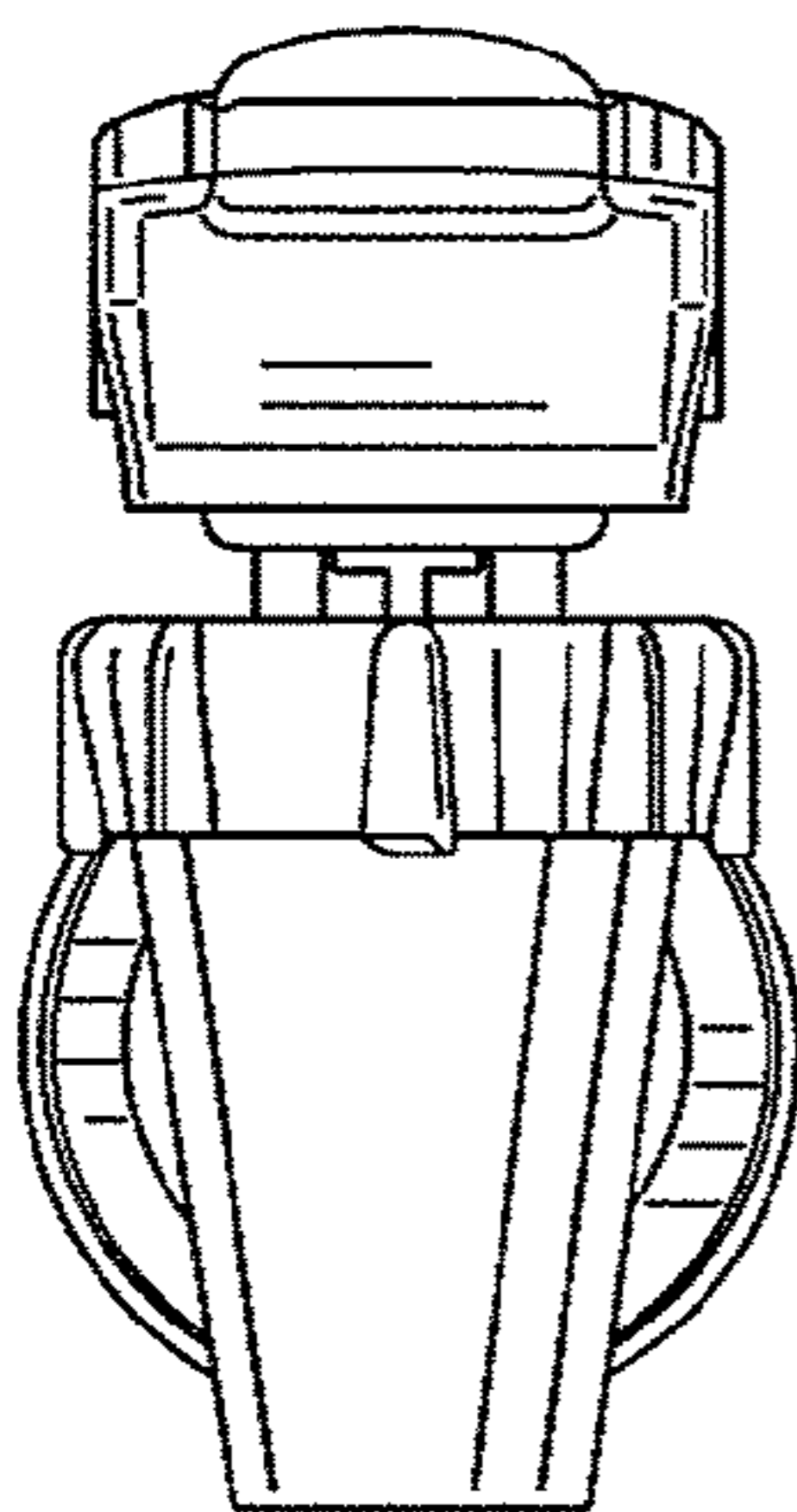


Fig. 4

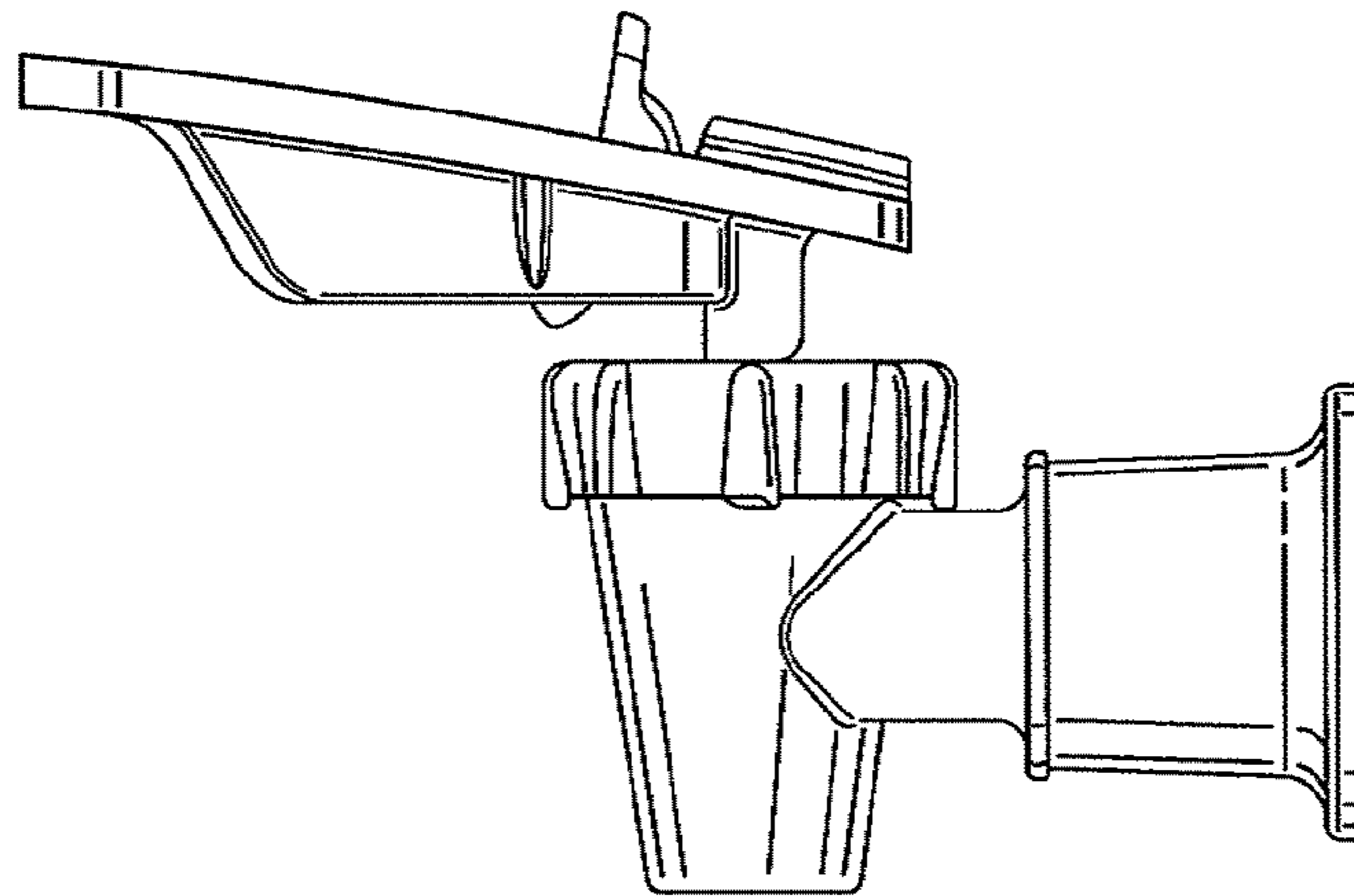


Fig. 5

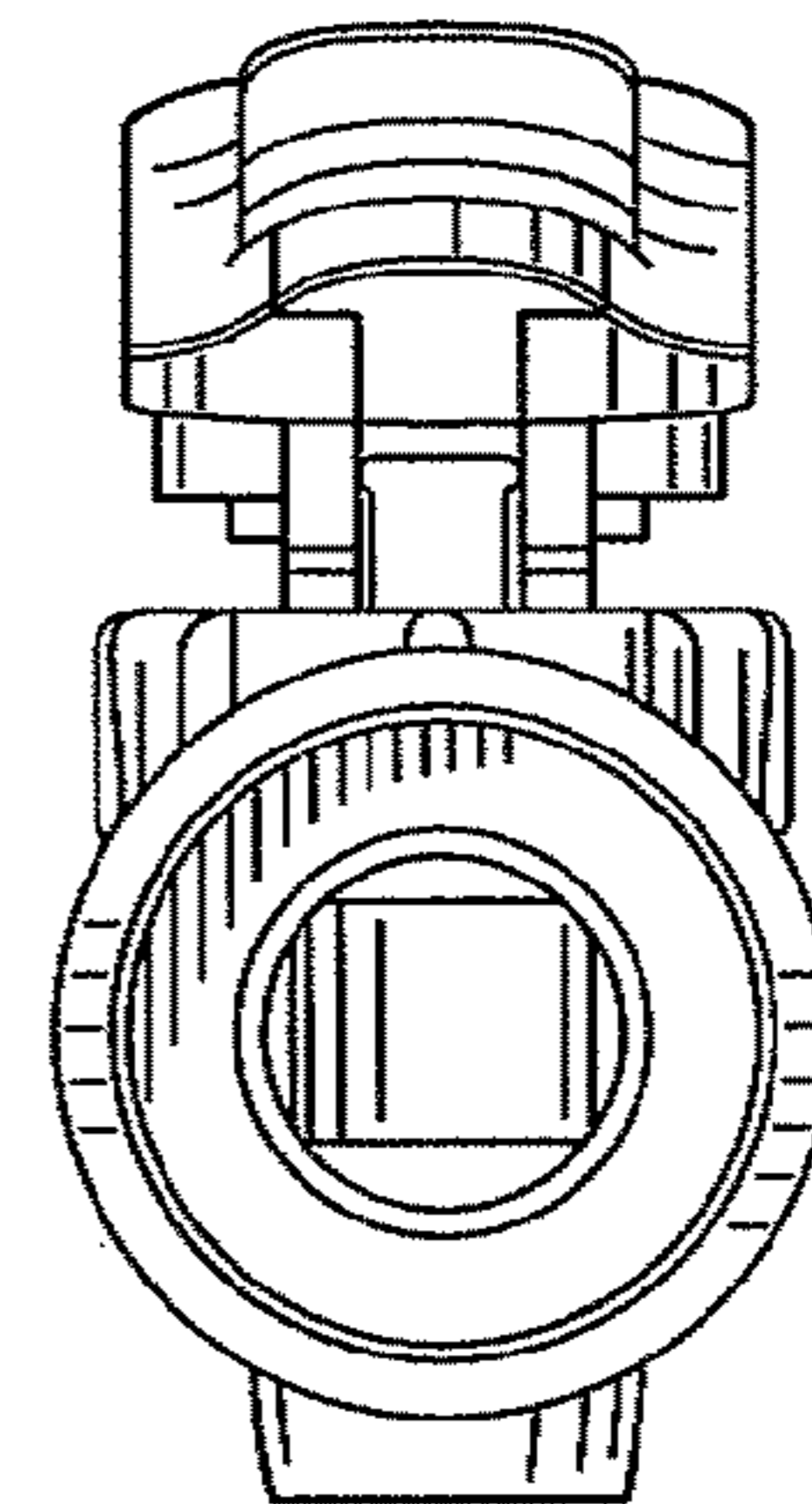


Fig. 6

