



US00D637864S

(12) **United States Design Patent**
Wu

(10) **Patent No.:** **US D637,864 S**

(45) **Date of Patent:** **** May 17, 2011**

(54) **JUICER**

(75) Inventor: **Andy Wu**, Fujian (CN)

(73) Assignee: **Quanzhou Yida Home Appliance Industry Co., Ltd.**, Fujian (CN)

(**) Term: **14 Years**

(21) Appl. No.: **29/383,366**

(22) Filed: **Jan. 15, 2011**

(51) **LOC (9) Cl.** **31-00**

(52) **U.S. Cl.** **D7/378; D7/376; D7/384**

(58) **Field of Classification Search** D7/305-311,
D7/317-318, 368, 372, 376-386, 412-415,
D7/665; 99/326, 348, 508-511; 241/30-37.5,
241/101.01-101.2, 166-169.1, 282.2, 285.1-285.3,
241/291, 292.1; 366/64-67, 98, 142, 197-211,
366/241-254, 279-292, 341-347; 416/75-76,
416/70 R, 163

See application file for complete search history.

(56) **References Cited**

U.S. PATENT DOCUMENTS

D232,297 S *	8/1974	Mantelet	D7/378
D336,590 S *	6/1993	Barnard	D7/378
D445,635 S *	7/2001	Gort-Barten	D7/378
D466,362 S *	12/2002	Moore	D7/378

D466,759 S *	12/2002	Moore	D7/378
D498,642 S *	11/2004	Huang	D7/378
D512,265 S *	12/2005	McCurrach	D7/378
D526,156 S *	8/2006	Yeung	D7/378
D568,096 S *	5/2008	Sun	D7/378
D587,961 S *	3/2009	Lavy	D7/378
D593,792 S *	6/2009	Li	D7/378
D618,049 S *	6/2010	Wu	D7/378

* cited by examiner

Primary Examiner — Ricky Pham

(74) *Attorney, Agent, or Firm* — Alan Kamrath; Kamrath & Associates PA

(57) **CLAIM**

The ornamental design for a juicer, as shown and described.

DESCRIPTION

FIG. 1 is a front elevational view of a juicer showing my new design;

FIG. 2 is a rear elevational view thereof;

FIG. 3 is a left side view thereof;

FIG. 4 is a right side elevational view thereof;

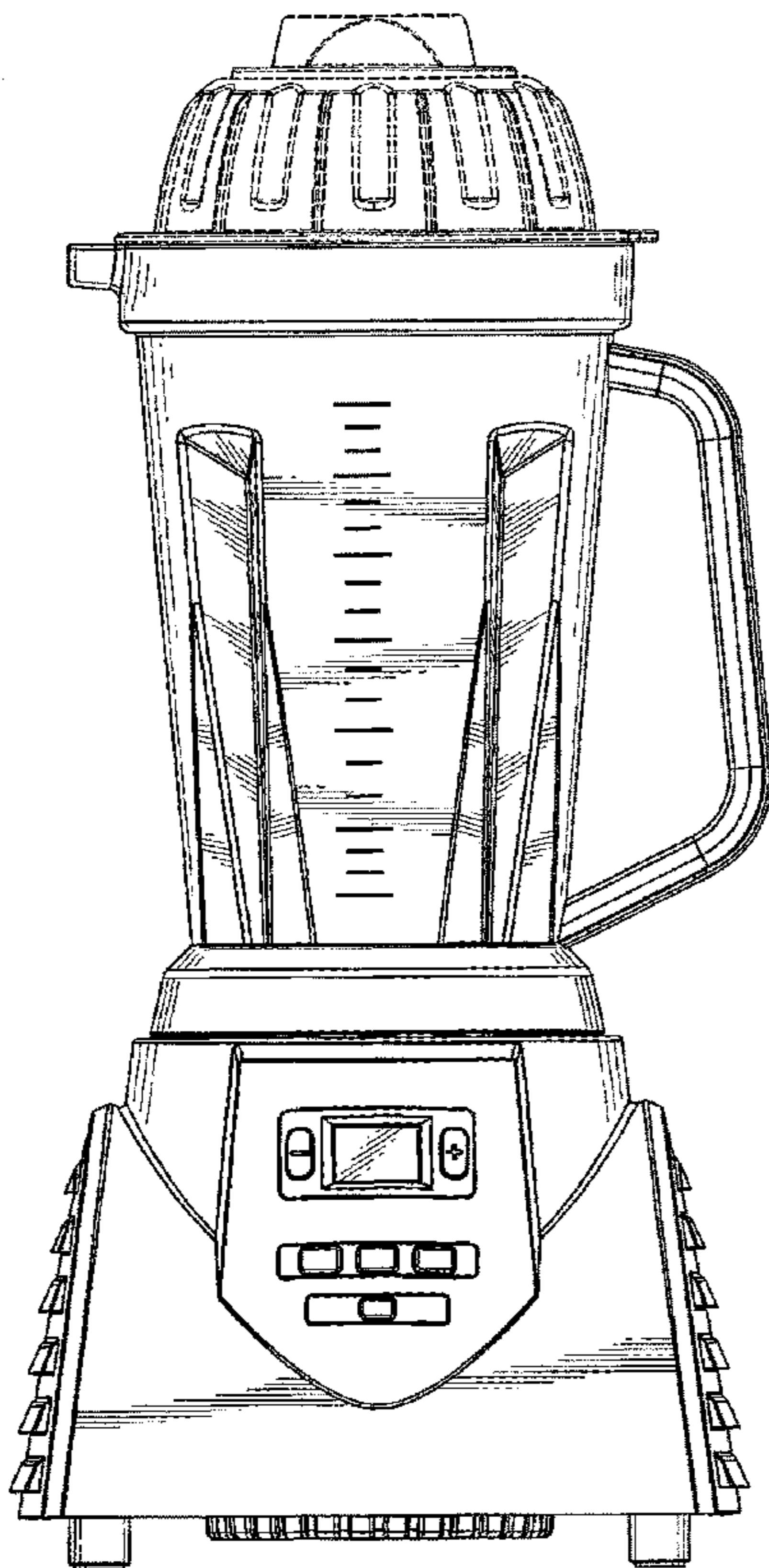
FIG. 5 is a top plan view thereof;

FIG. 6 is a bottom plan view thereof; and,

FIG. 7 is a front elevational view of the Juicer with an alternative cover.

The broken lines shown in the drawings are for illustrative purposes only and form no part of the claimed design.

1 Claim, 6 Drawing Sheets



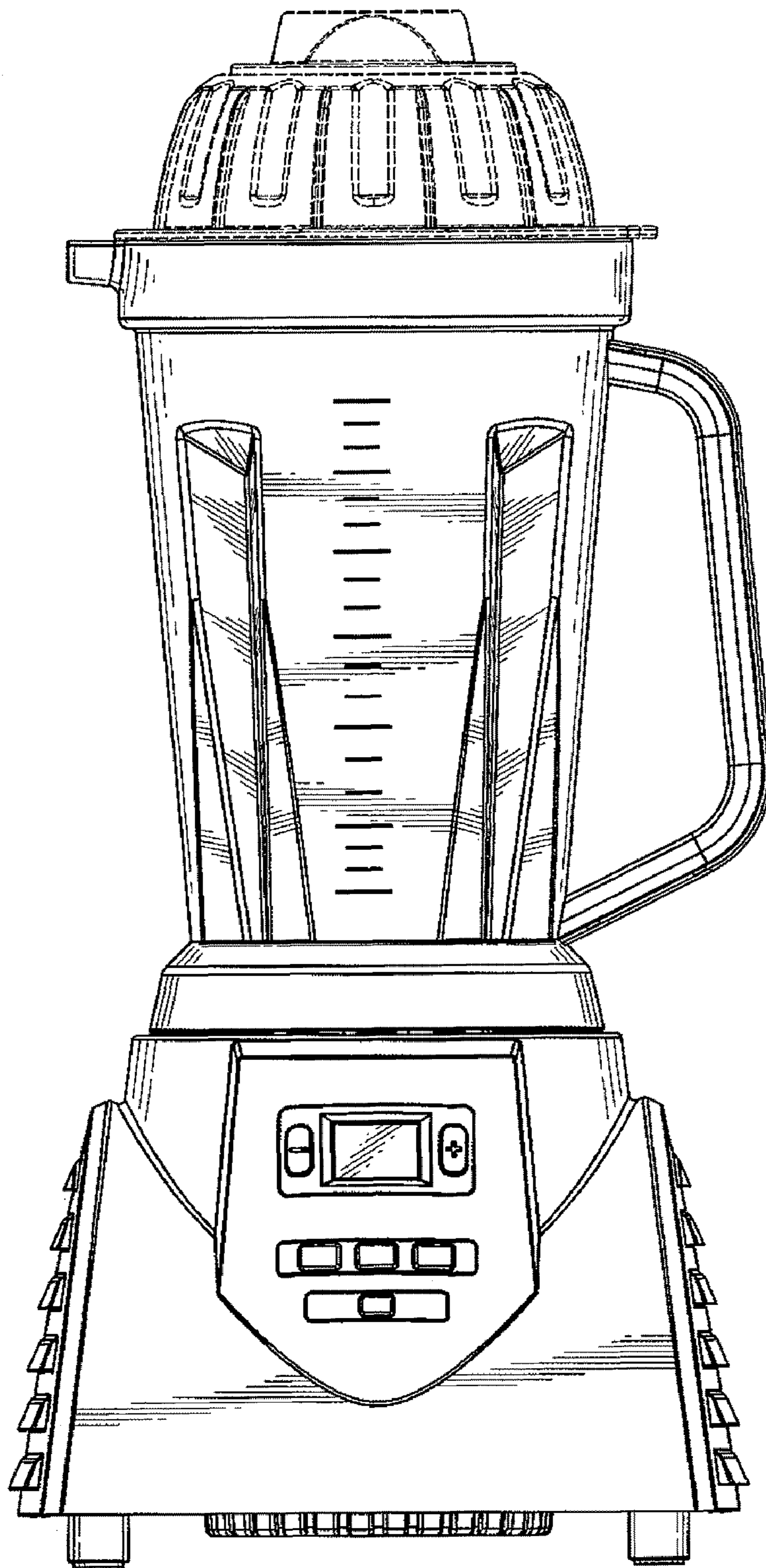


FIG. 1

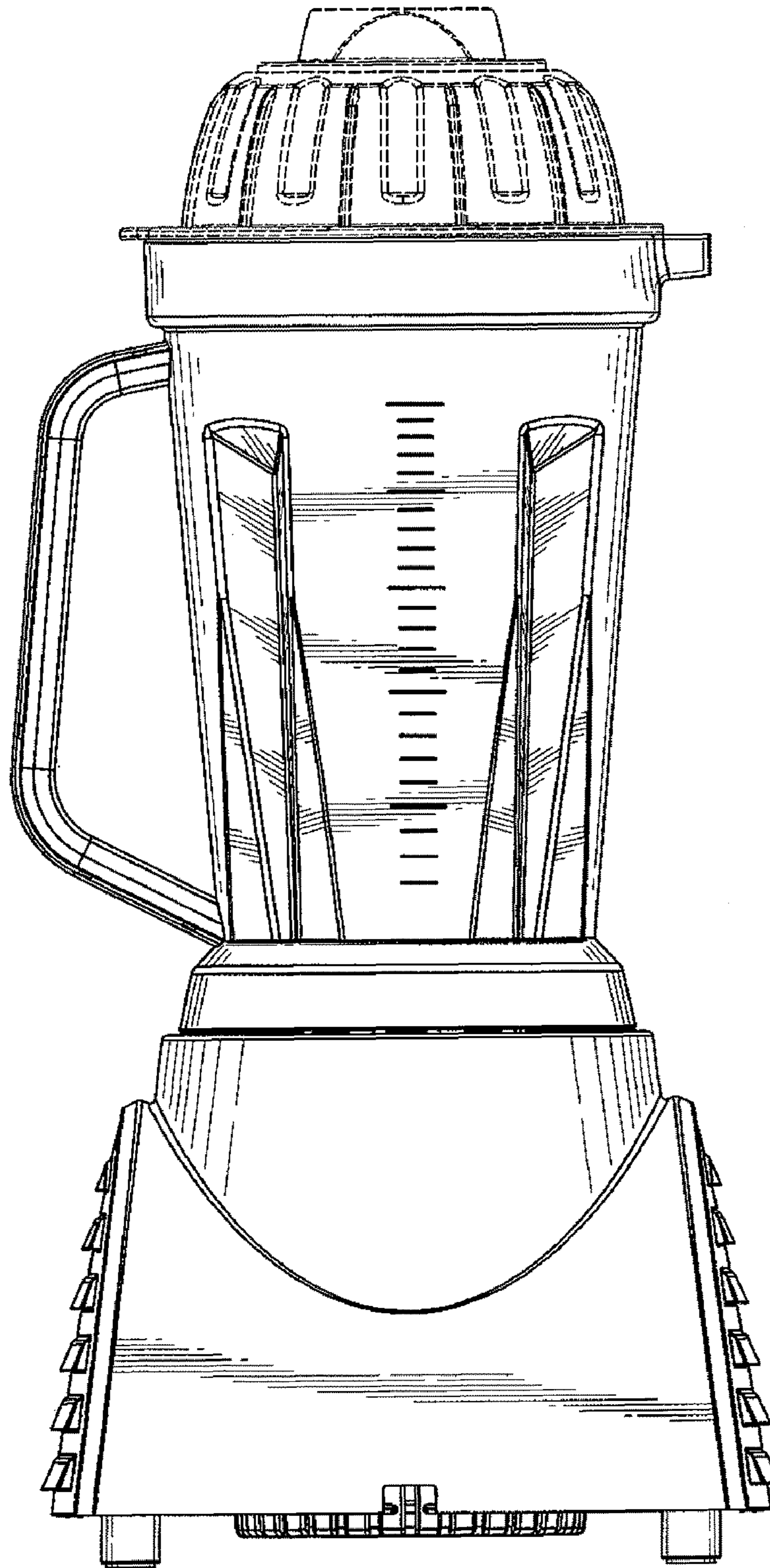


FIG. 2

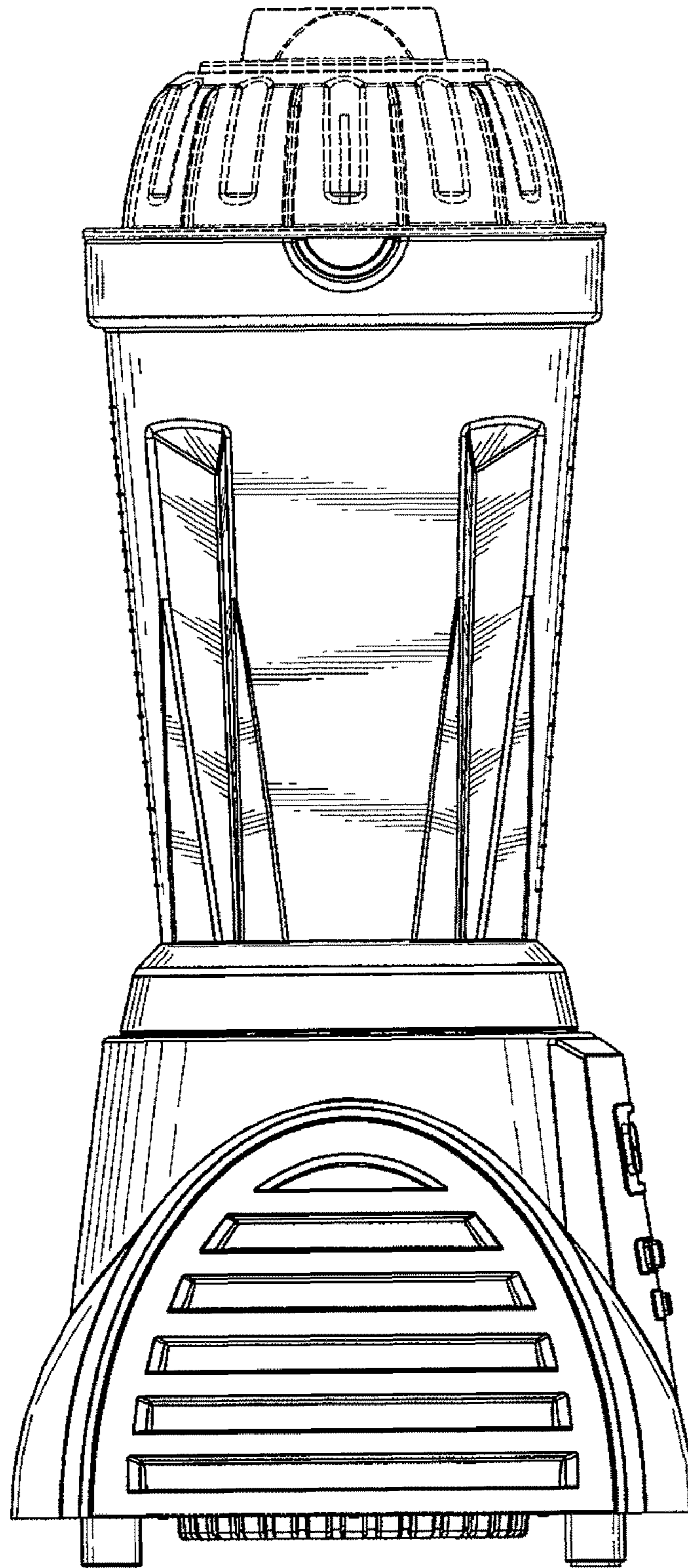


FIG. 3

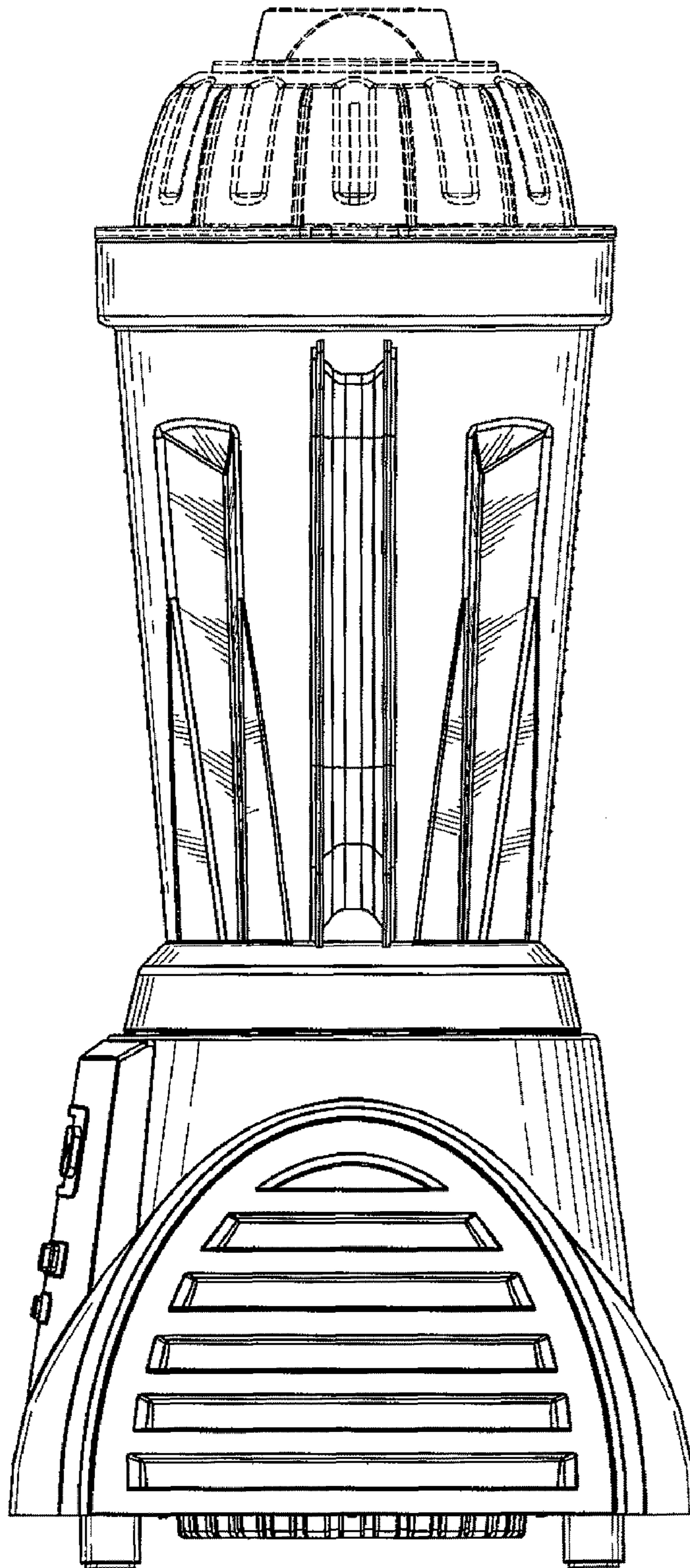


FIG. 4

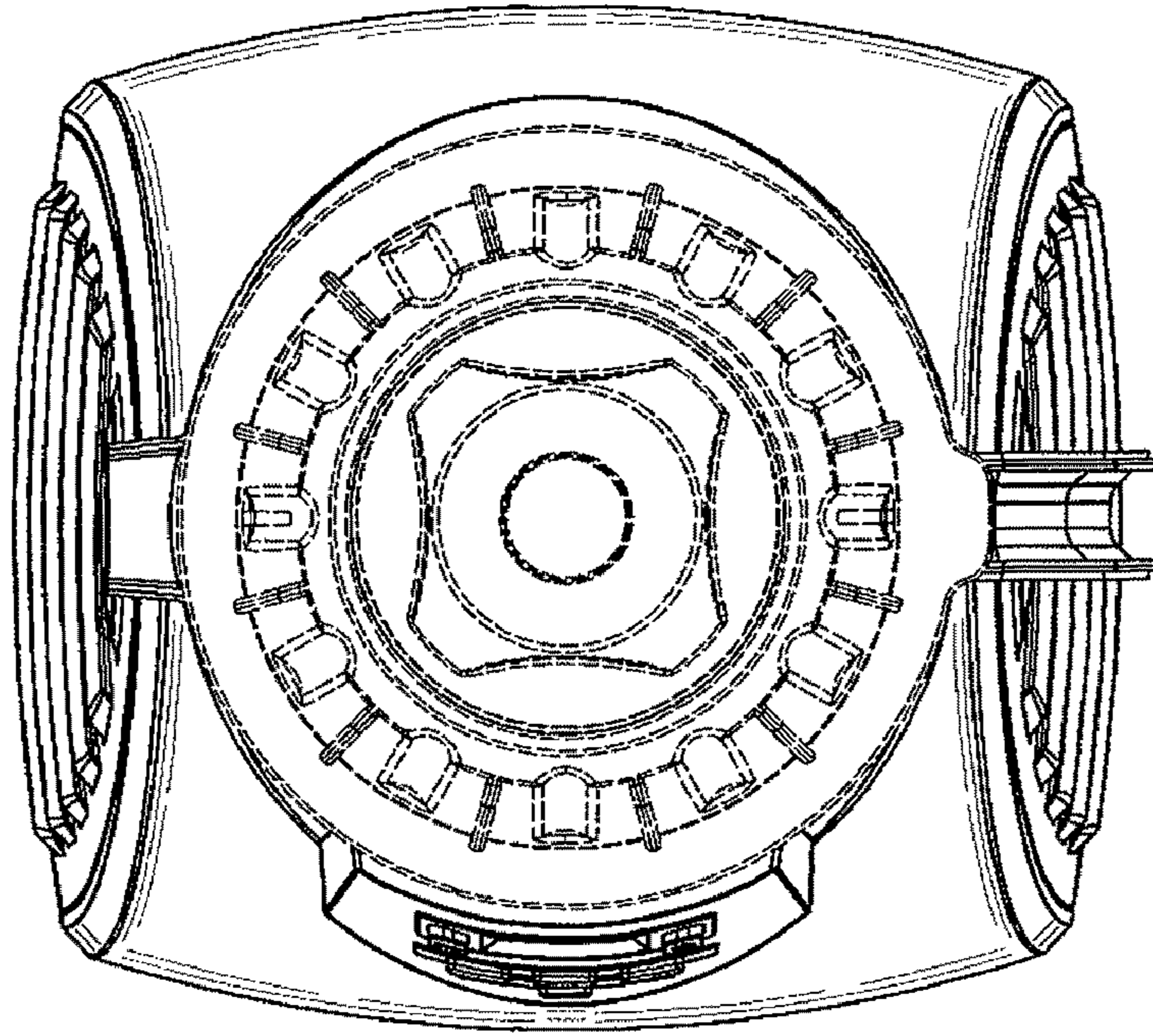


FIG. 5

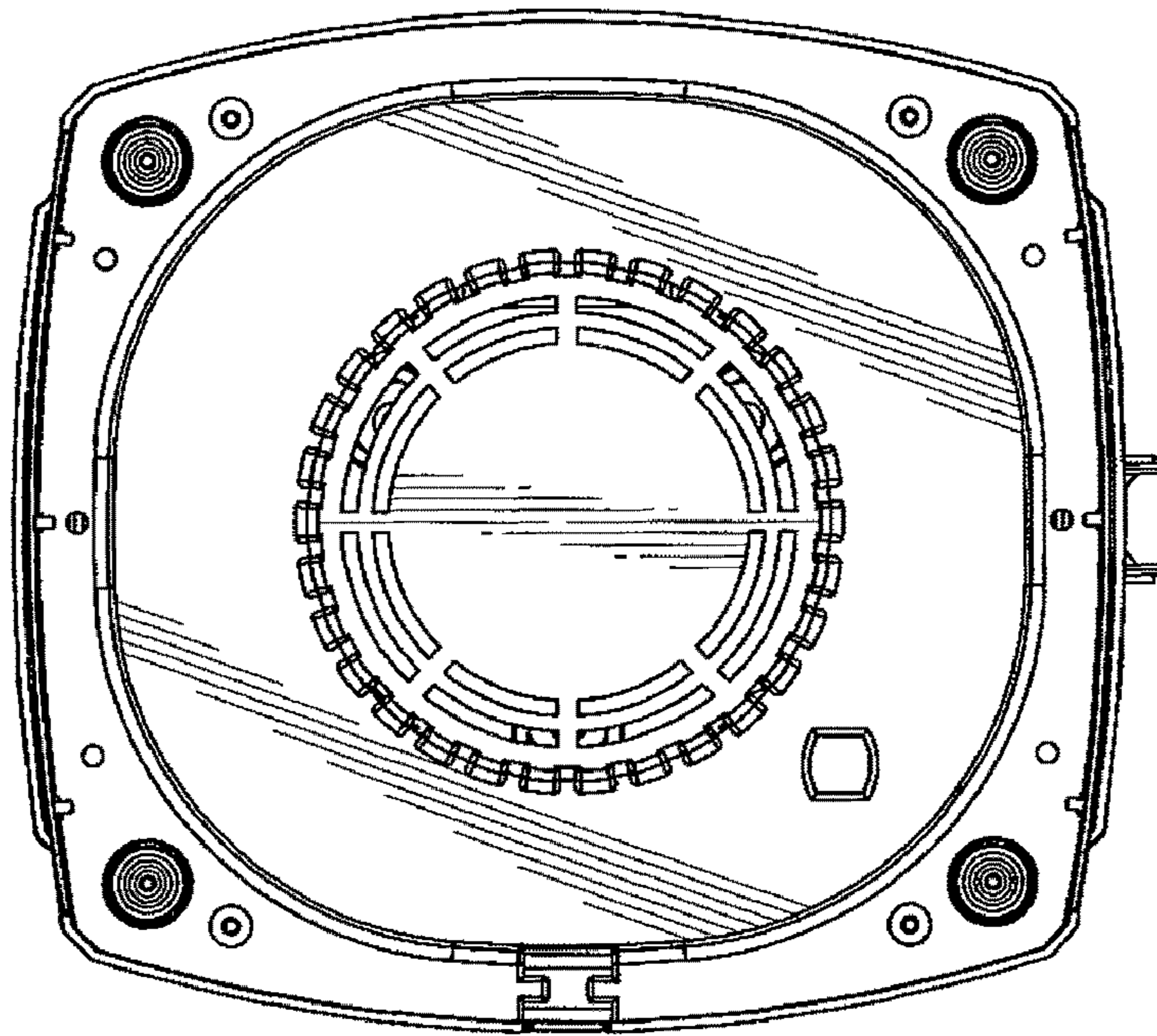


FIG. 6

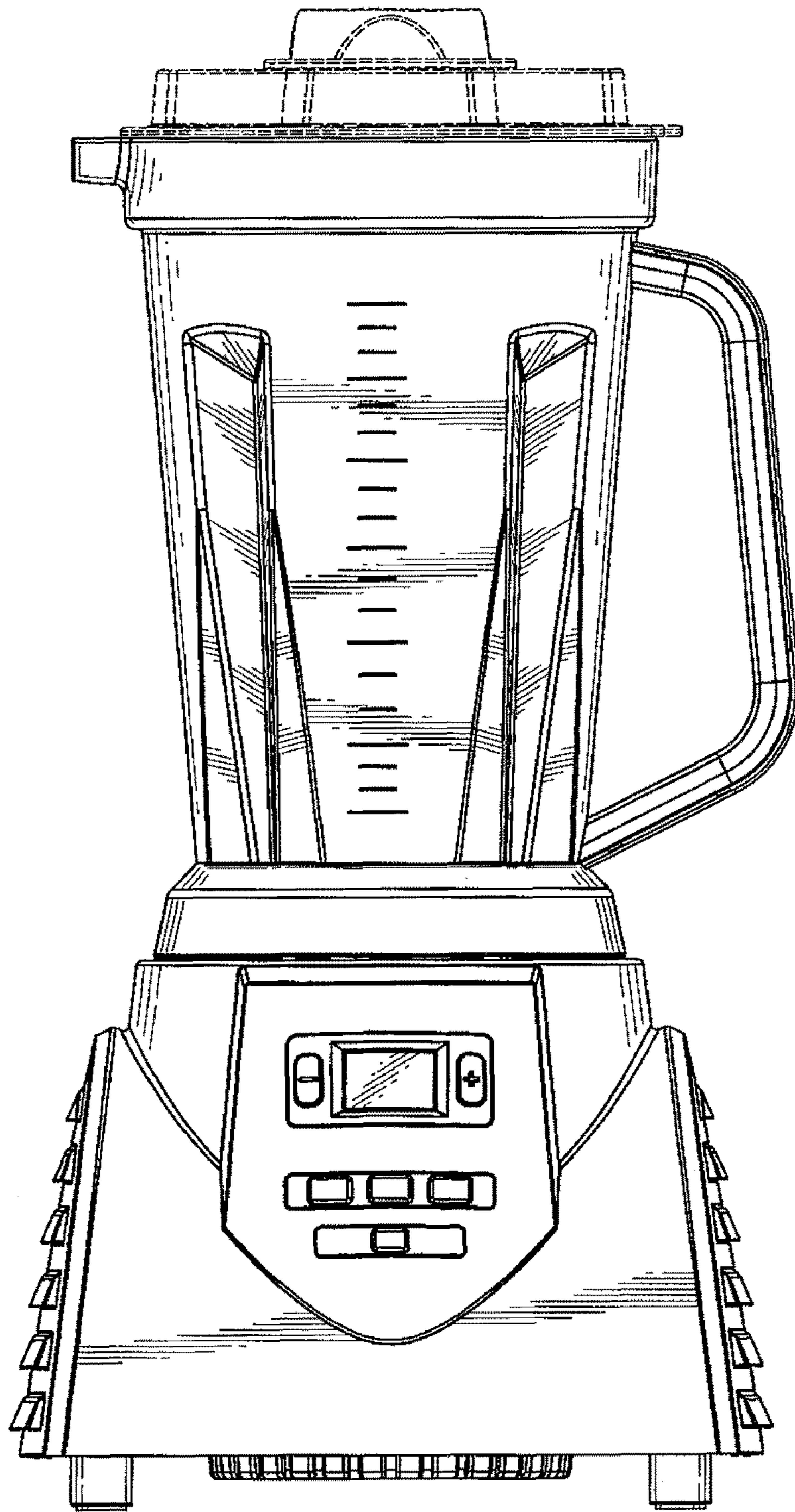


FIG. 7