



US00D637862S

(12) **United States Design Patent**
Fouquet

(10) **Patent No.:** **US D637,862 S**

(45) **Date of Patent:** **** May 17, 2011**

(54) **BLENDER**

(75) Inventor: **Nicolas Fouquet**, Chassieu (FR)

(73) Assignee: **Santos**, Vaulx-en-Velin (FR)

(**) Term: **14 Years**

(21) Appl. No.: **29/359,799**

(22) Filed: **Apr. 15, 2010**

(30) **Foreign Application Priority Data**

Oct. 15, 2009 (EM) 001170880-0001

(51) **LOC (9) Cl.** **31-00**

(52) **U.S. Cl.** **D7/378; D7/376; D7/384**

(58) **Field of Classification Search** D7/305-311,
D7/317-318, 376-386, 412-415, 665; 99/348,
99/509-511; 181/198; 241/30-37.5, 101.01-101.2,
241/166-169.1, 285.1-285.3, 291, 292.1;
312/138.1; 366/64-67, 98, 142, 197-211,
366/241-254, 279-292, 341-347

See application file for complete search history.

(56) **References Cited**

U.S. PATENT DOCUMENTS

5,533,797 A * 7/1996 Gelber 312/138.1
5,957,577 A * 9/1999 Dickson et al. 366/197
D424,865 S * 5/2000 Crescenzi et al. D7/378

D432,864 S * 10/2000 Kindig et al. D7/412
D466,761 S * 12/2002 Baerenrodt et al. D7/378
6,571,908 B2 * 6/2003 Bohannon et al. 181/198
D528,364 S * 9/2006 Kolar et al. D7/413
D588,406 S * 3/2009 Ulanski D7/413
D592,903 S * 5/2009 Olson et al. D7/378
D621,656 S * 8/2010 Ulanski et al. D7/413
2006/0018189 A1 * 1/2006 Chang Chien 366/205

* cited by examiner

Primary Examiner — Ricky Pham

(74) *Attorney, Agent, or Firm* — Stites & Harbison PLLC;
Douglas E. Jackson

(57) **CLAIM**

The ornamental design for a blender, as shown and described.

DESCRIPTION

FIG. 1 is front view showing the new design of a blender according to the present invention.

FIG. 2 is rear view thereof.

FIG. 3 is a right side view thereof.

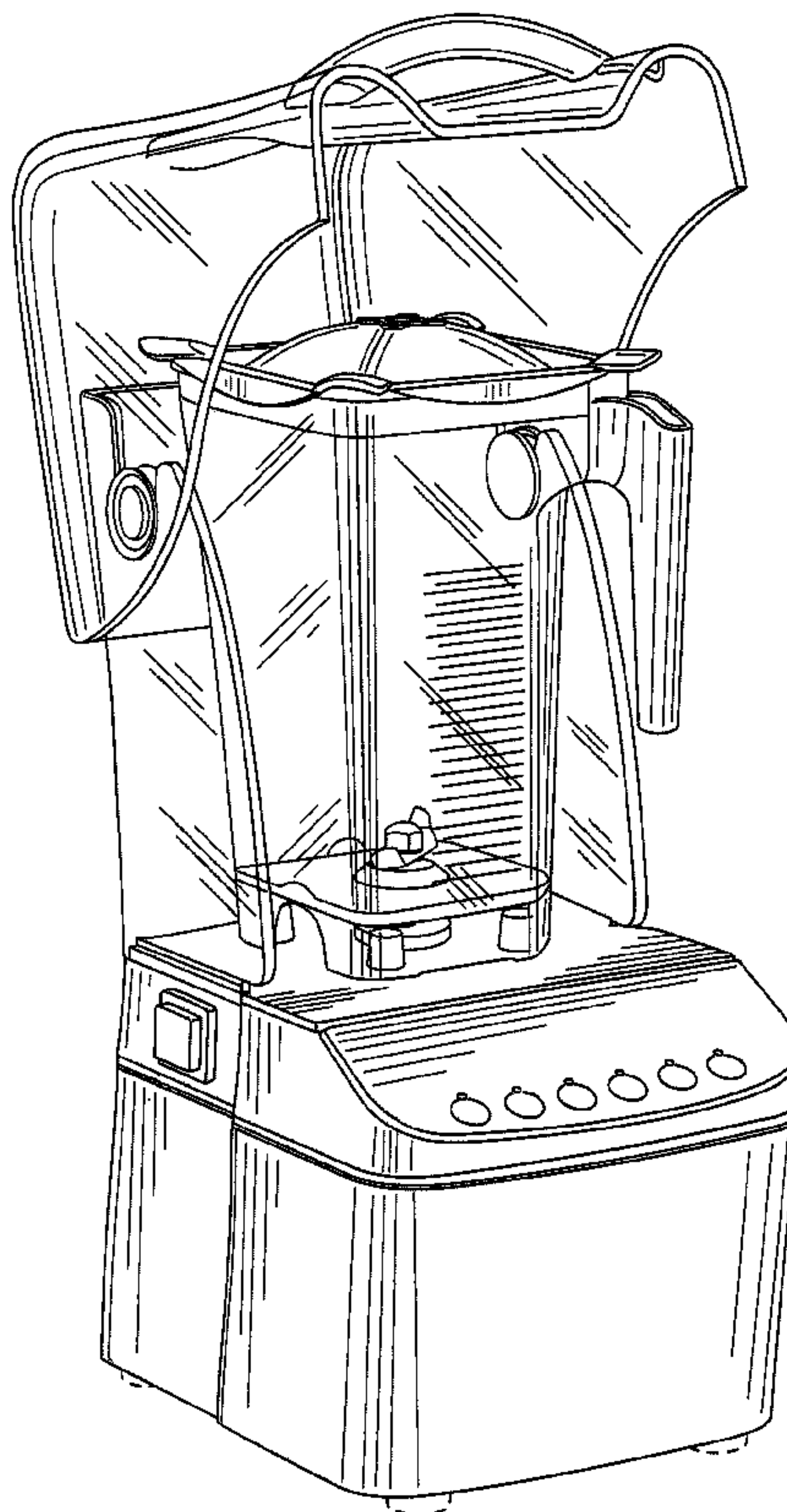
FIG. 4 is a left side view thereof.

FIG. 5 is a top view thereof.

FIG. 6 is a perspective front, top and left side view thereof; and,

FIG. 7 is a perspective front, top and left side view thereof, but with the front cover pivoted to an up position.

1 Claim, 7 Drawing Sheets



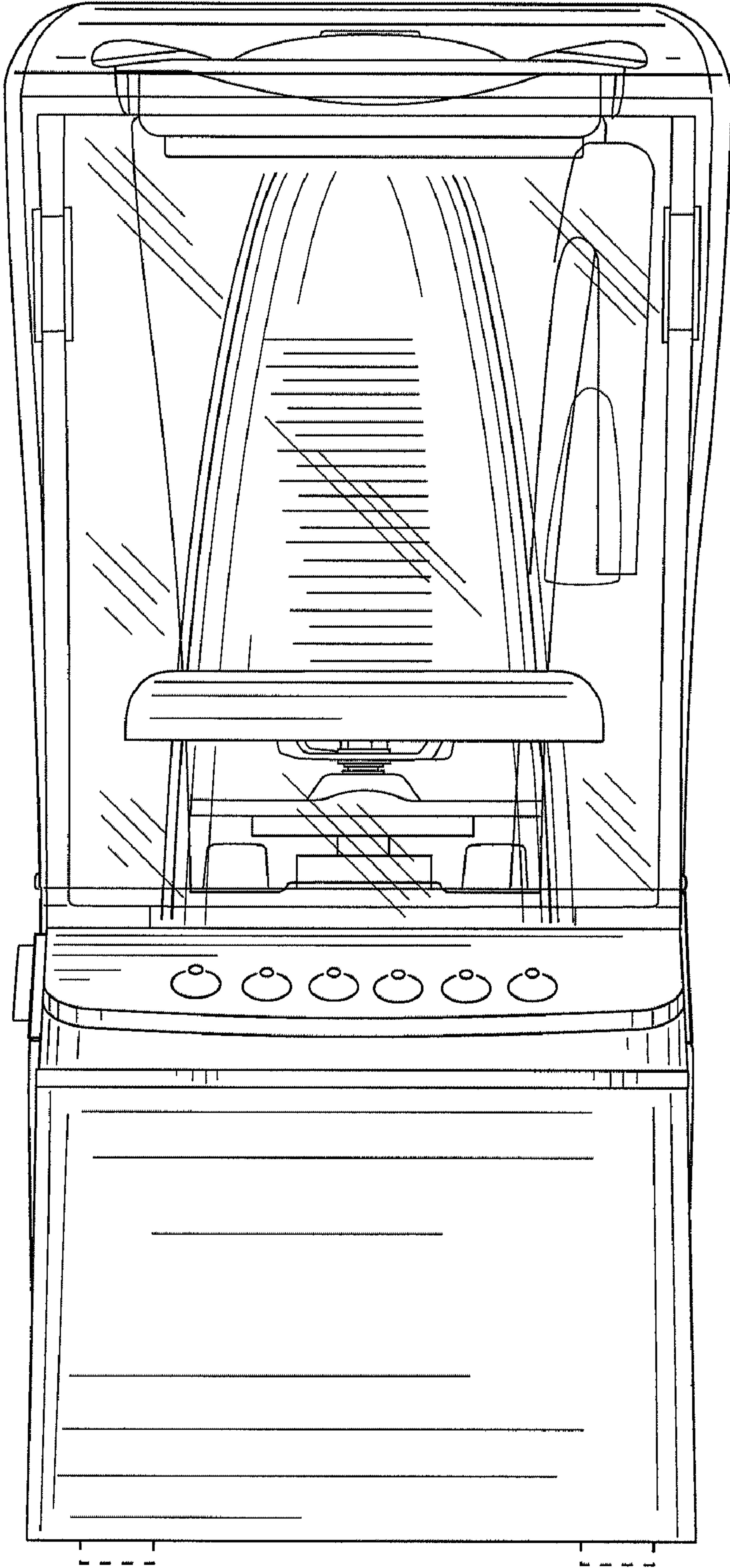


FIG. 1

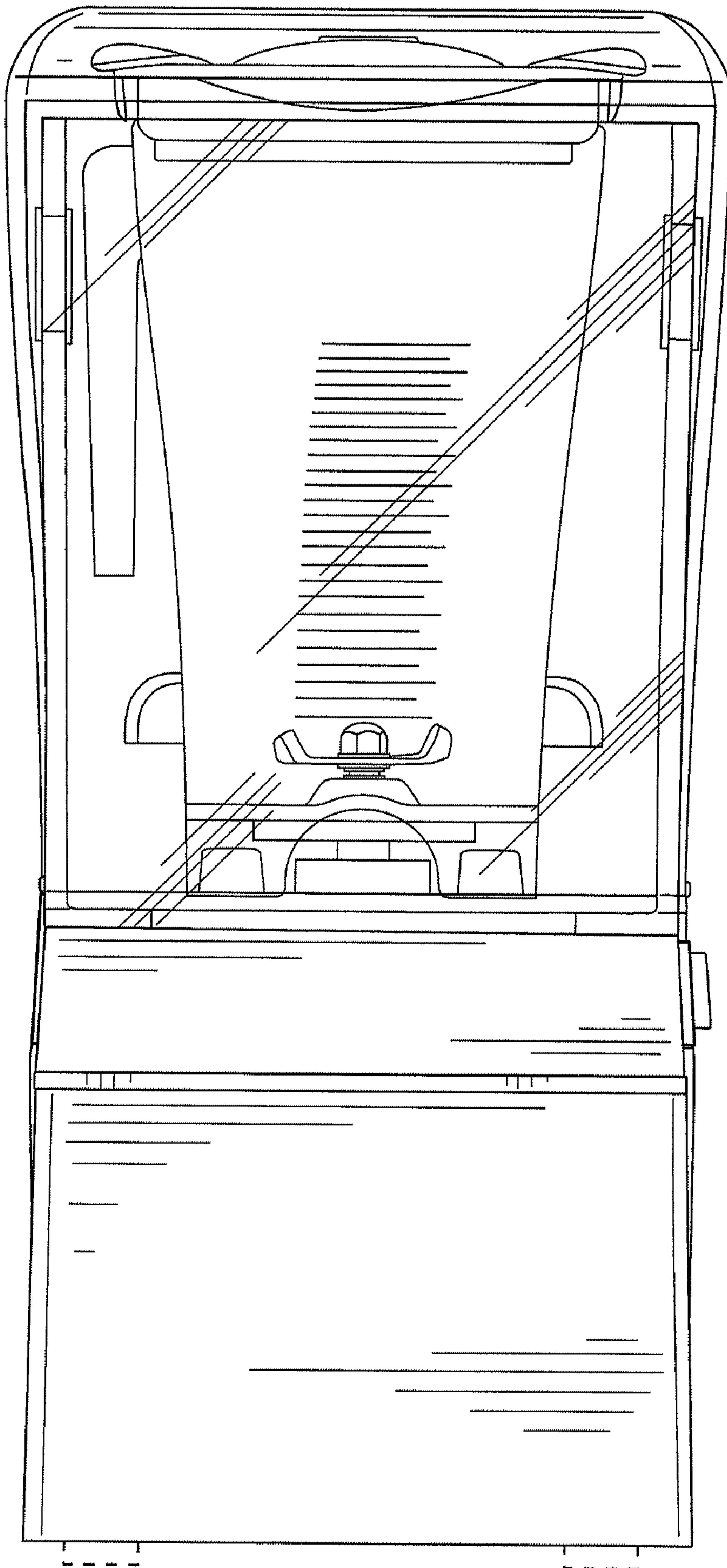
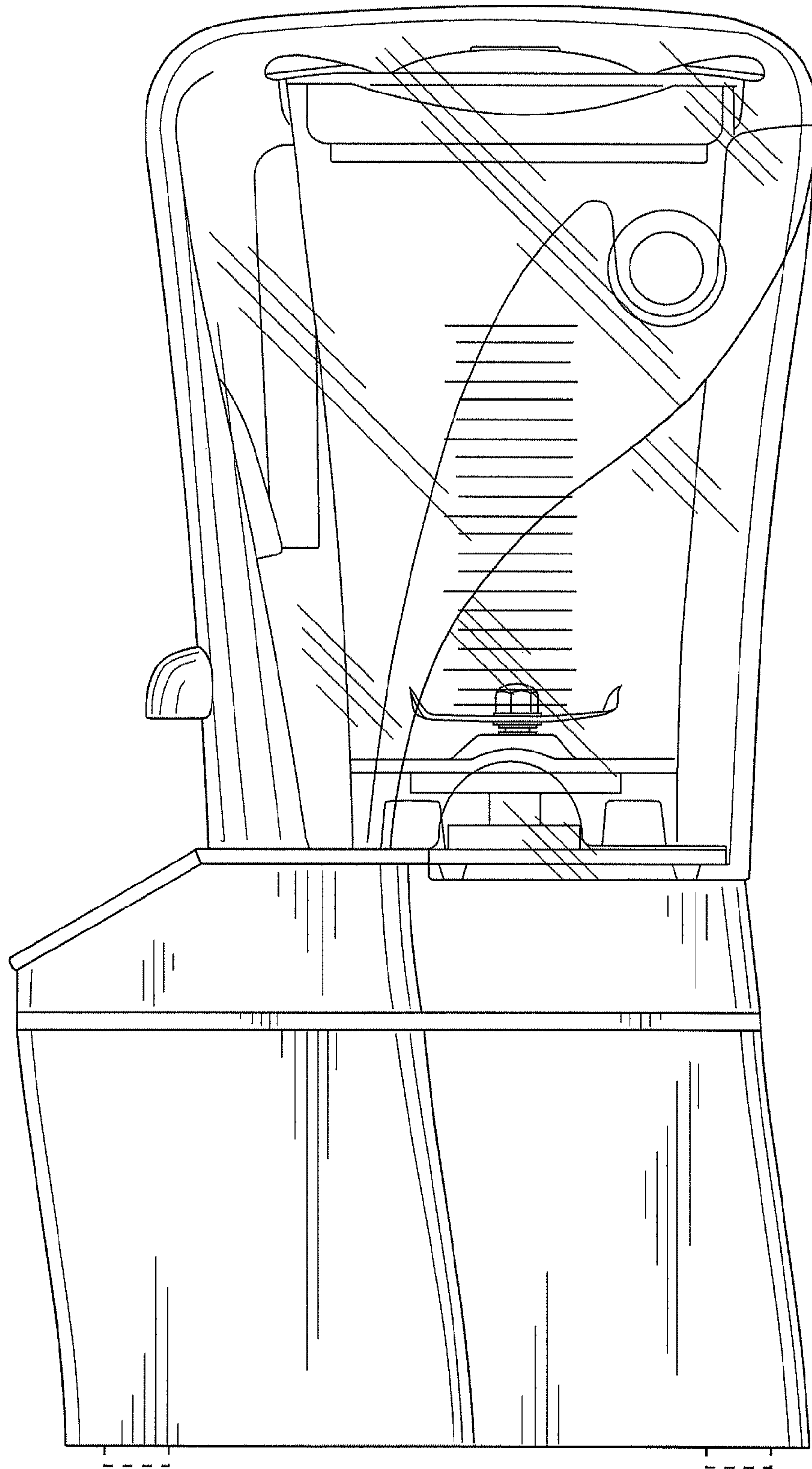


FIG. 2

FIG. 3



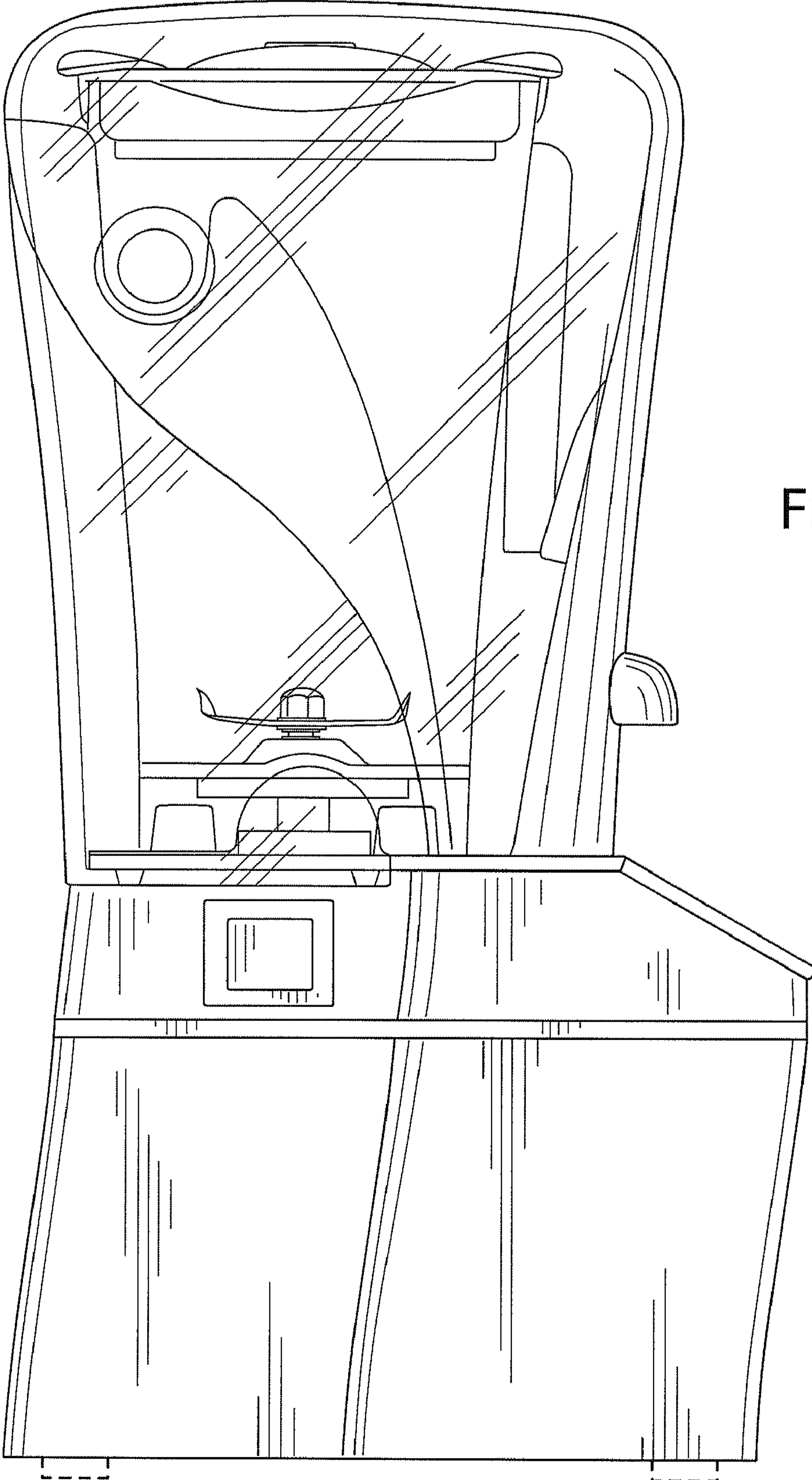


FIG. 4

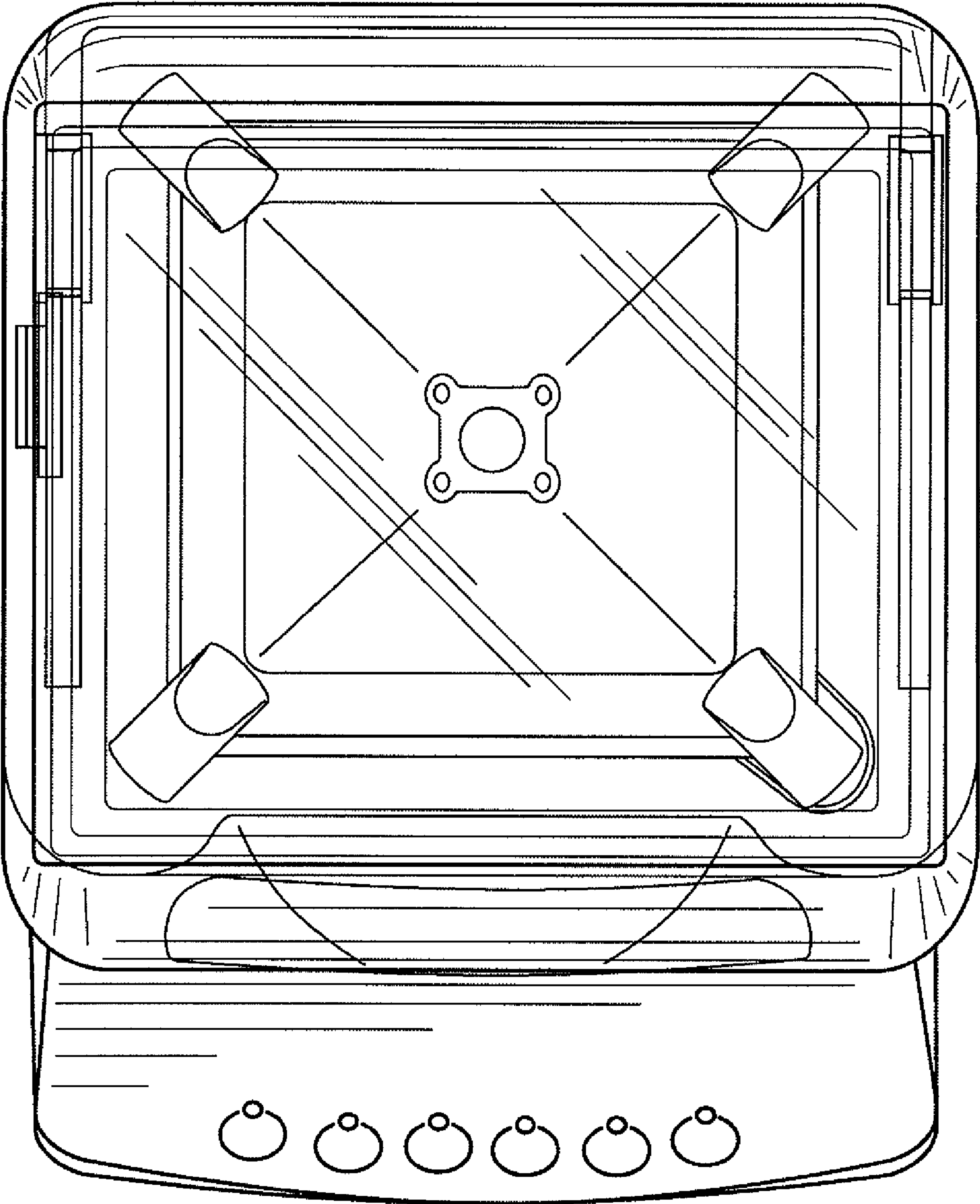


FIG. 5

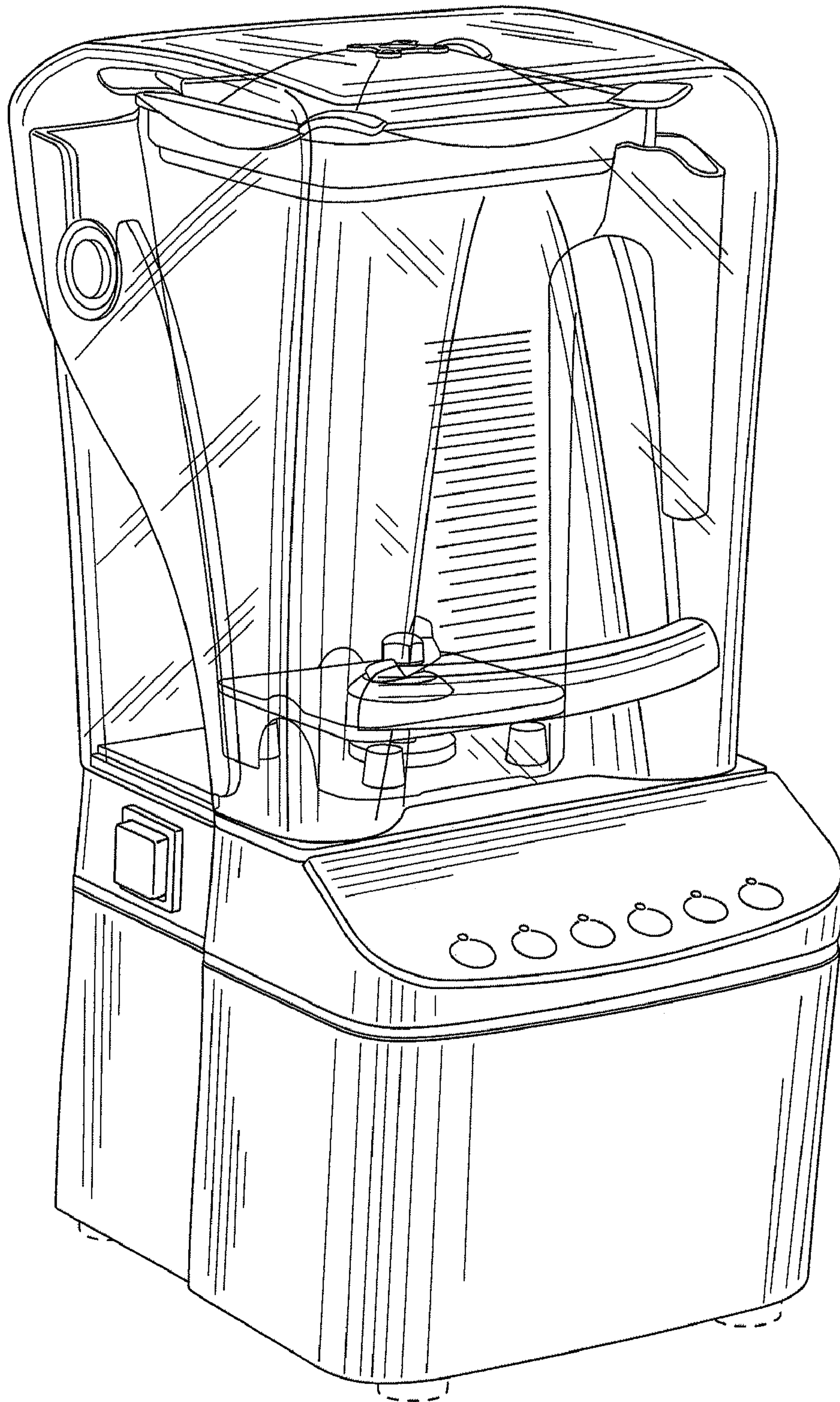


FIG. 6

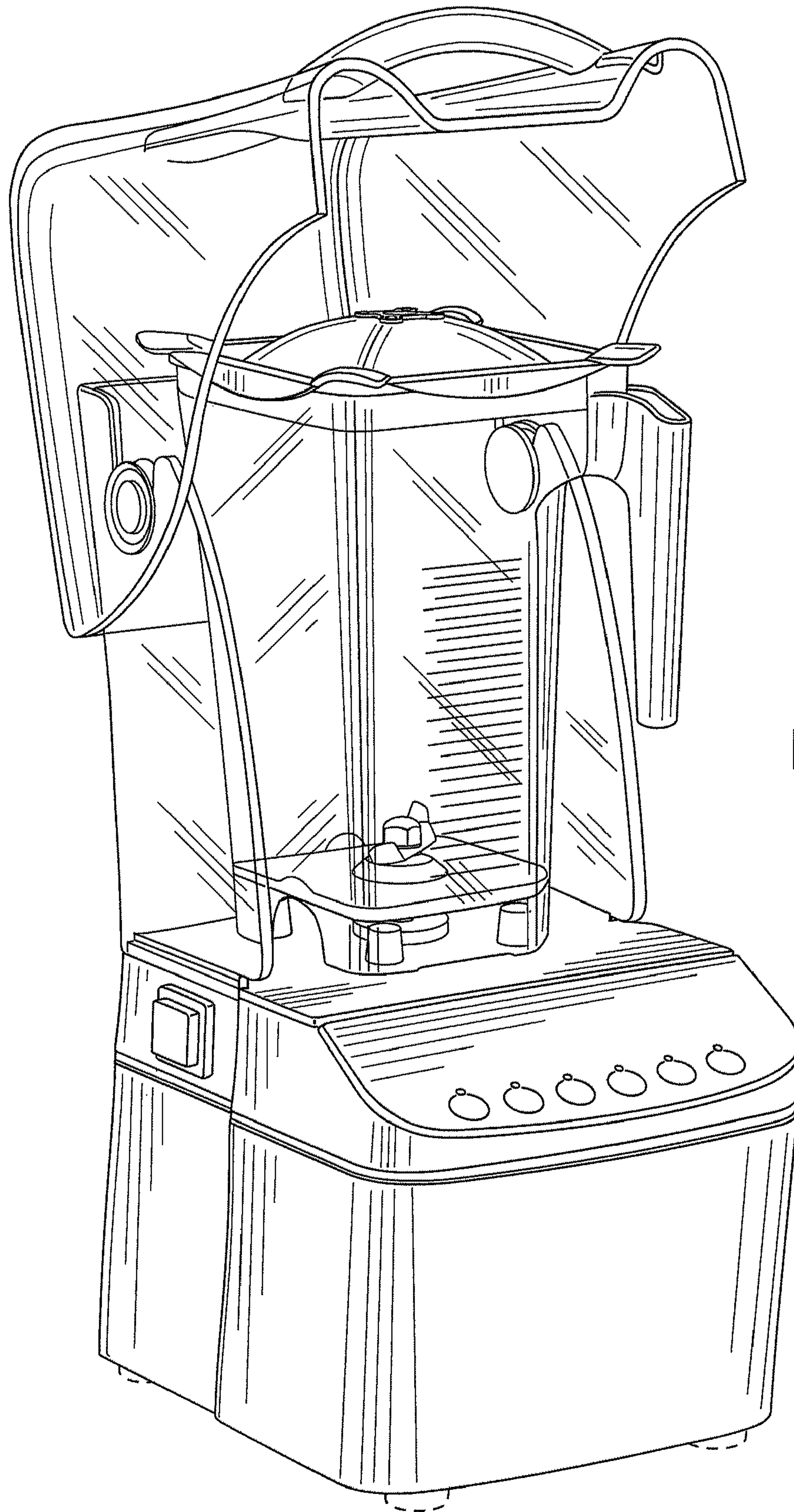


FIG. 7