

US00D637861S

(12) **United States Design Patent**
Degnan

(10) **Patent No.:** **US D637,861 S**

(45) **Date of Patent:** **** May 17, 2011**

(54) **SAUTÉ PAN**

(75) **Inventor:** **Peter Jason Degnan**, El Cerrito, CA
(US)

(73) **Assignee:** **Williams-Sonoma, Inc.**, San Francisco,
CA (US)

(**) **Term:** **14 Years**

(21) **Appl. No.:** **29/384,092**

(22) **Filed:** **Jan. 26, 2011**

(51) **LOC (9) Cl.** **07-02**

(52) **U.S. Cl.** **D7/360; D7/354**

(58) **Field of Classification Search** D7/323,
D7/329-331, 339, 346-347, 350.1-350.4,
D7/354-363, 391, 393, 395, 402, 538, 542,
D7/587; 99/324-325, 331-332, 337-340,
99/369, 403-418, 444; 206/501-505, 507-508;
219/400, 405, 435-442, 620-624, 725, 730-735;
220/573.1-573.5, 912; 426/438, 441

See application file for complete search history.

(56) **References Cited**

U.S. PATENT DOCUMENTS

D273,755 S * 5/1984 Thurlow D7/359
D370,826 S * 6/1996 Thurlow D7/360

D469,655 S * 2/2003 Ryan et al. D7/361
D496,219 S * 9/2004 Rae D7/395
D534,031 S * 12/2006 Roussard D7/358
D579,714 S * 11/2008 Cheng et al. D7/360
D581,721 S * 12/2008 Rae D7/360
D587,519 S * 3/2009 Cheng et al. D7/360
7,717,031 B1 * 5/2010 Cornfield 99/413
D631,281 S * 1/2011 Bodum D7/354

* cited by examiner

Primary Examiner — Ricky Pham

(74) *Attorney, Agent, or Firm* — Bay Area Technology Law
Group PC

(57) **CLAIM**

The ornamental design for a sauté pan, as shown and
described.

DESCRIPTION

FIG. 1 is a perspective view of a sauté pan showing my new
design;

FIG. 2 is a right side view of FIG. 1;

FIG. 3 is a left side view of FIG. 1;

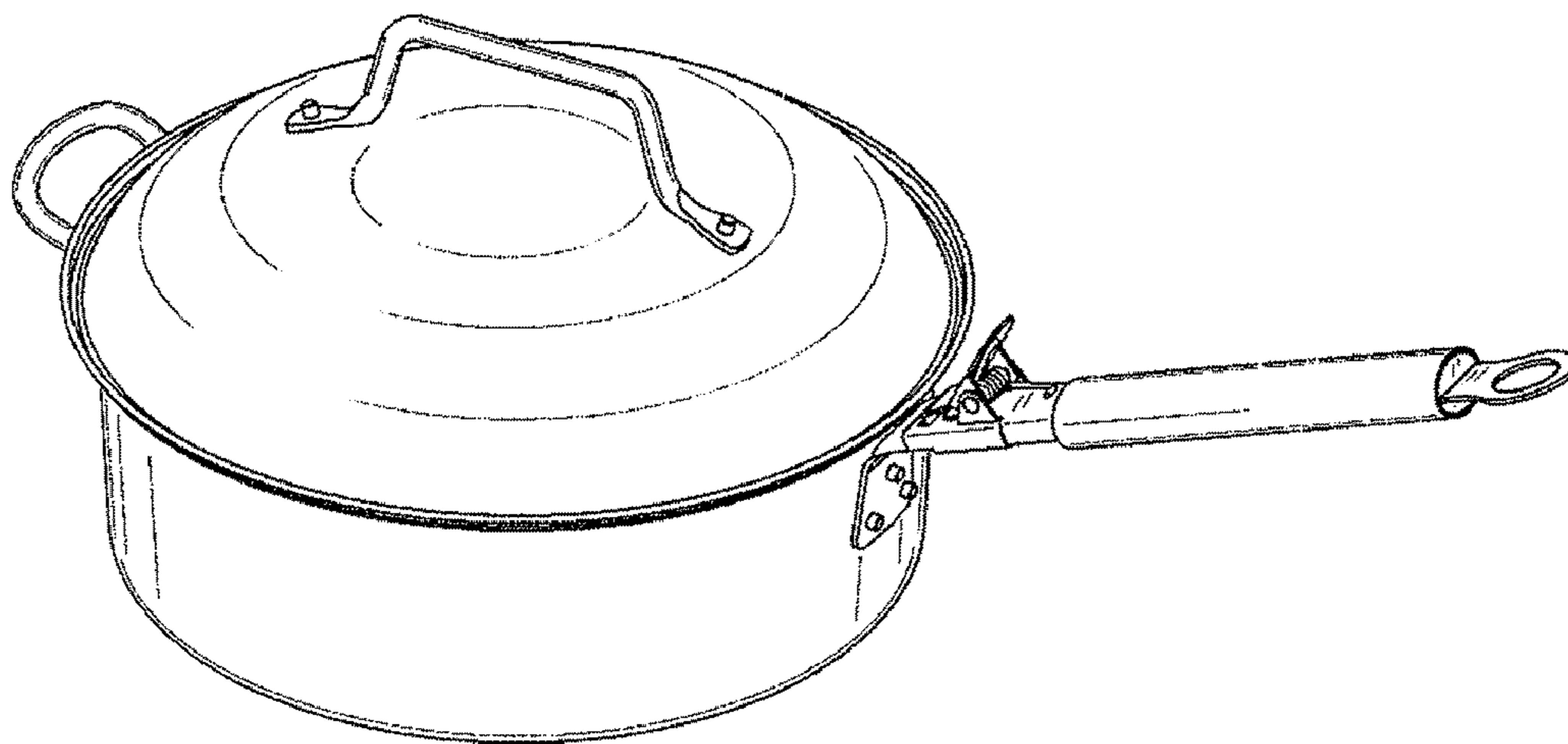
FIG. 4 is a top plan view of FIG. 1;

FIG. 5 is a bottom plan view of FIG. 1;

FIG. 6 is a front view of FIG. 1; and,

FIG. 7 is a rear view of FIG. 1.

1 Claim, 3 Drawing Sheets



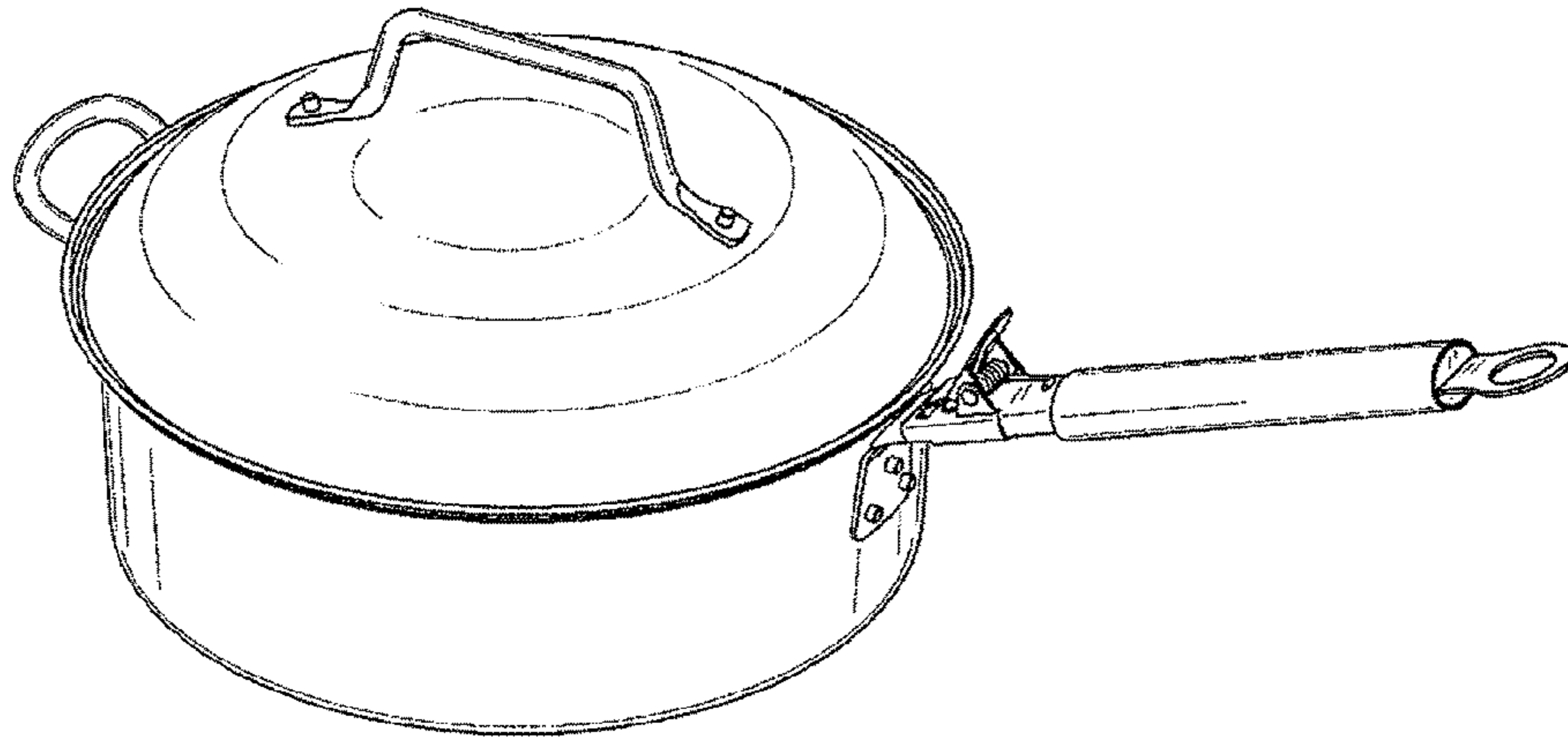


FIG. 1

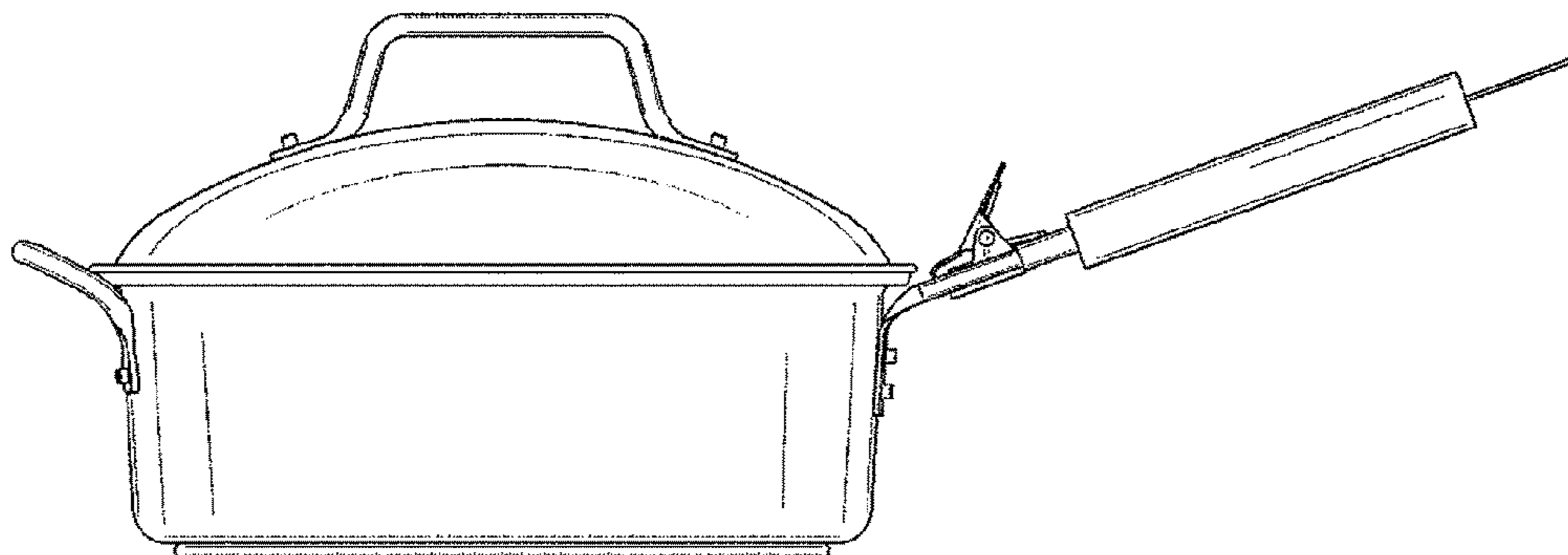


FIG. 2

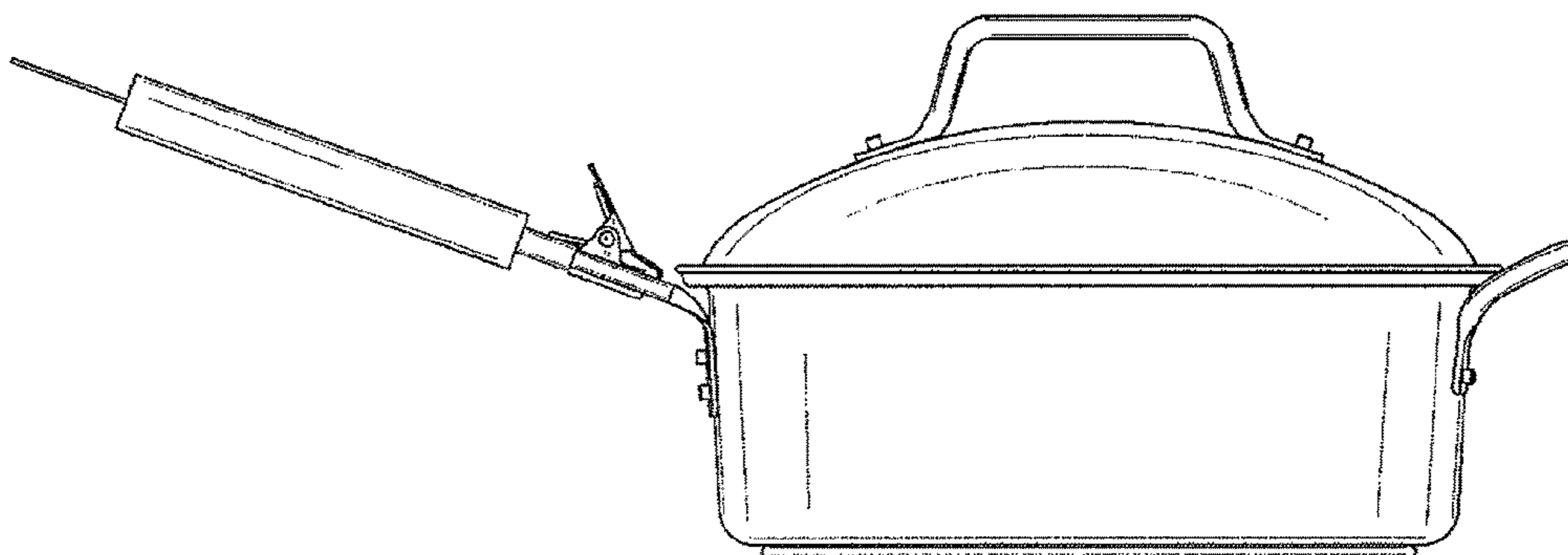


FIG. 3

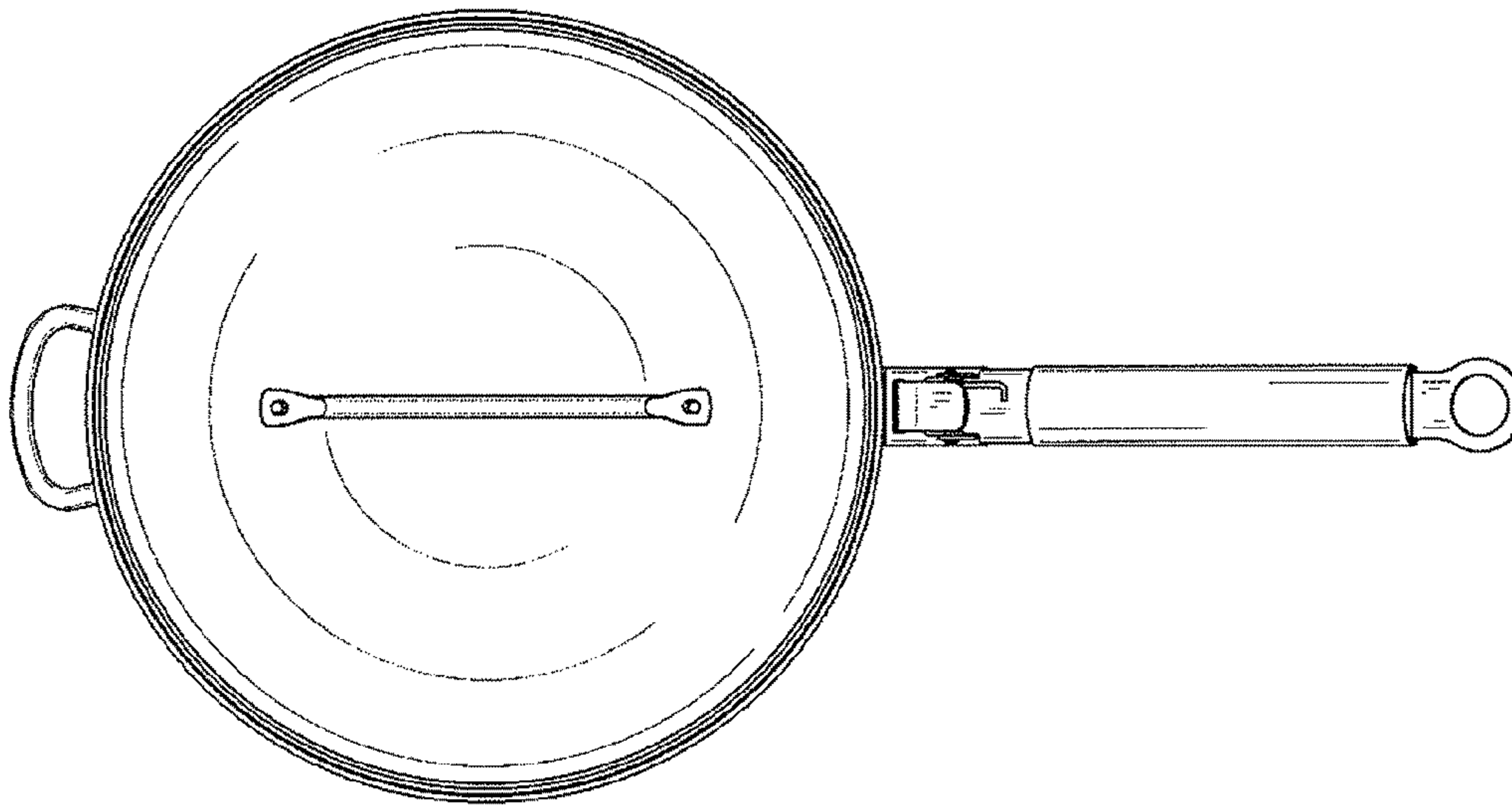


FIG. 4

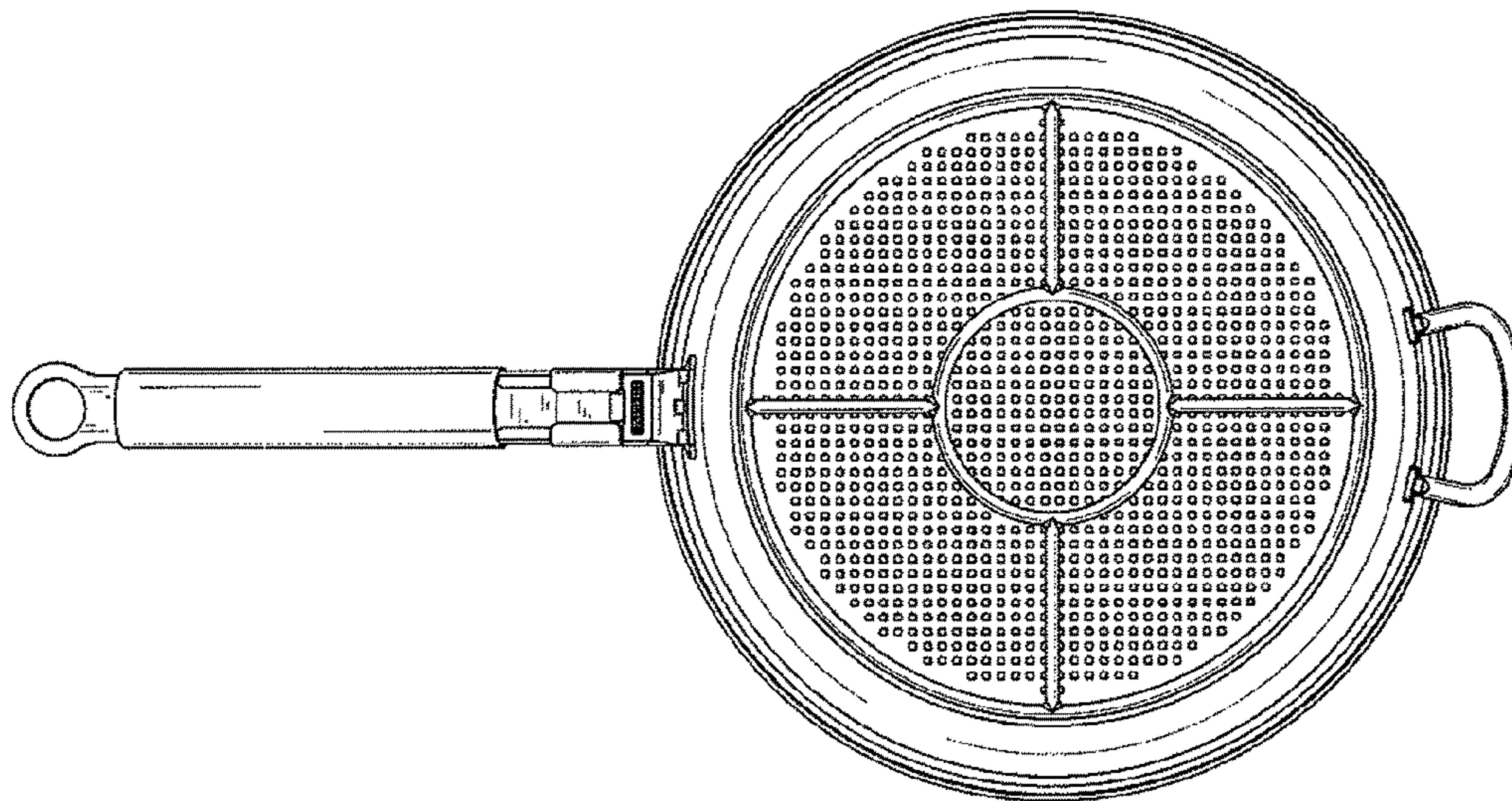


FIG. 5

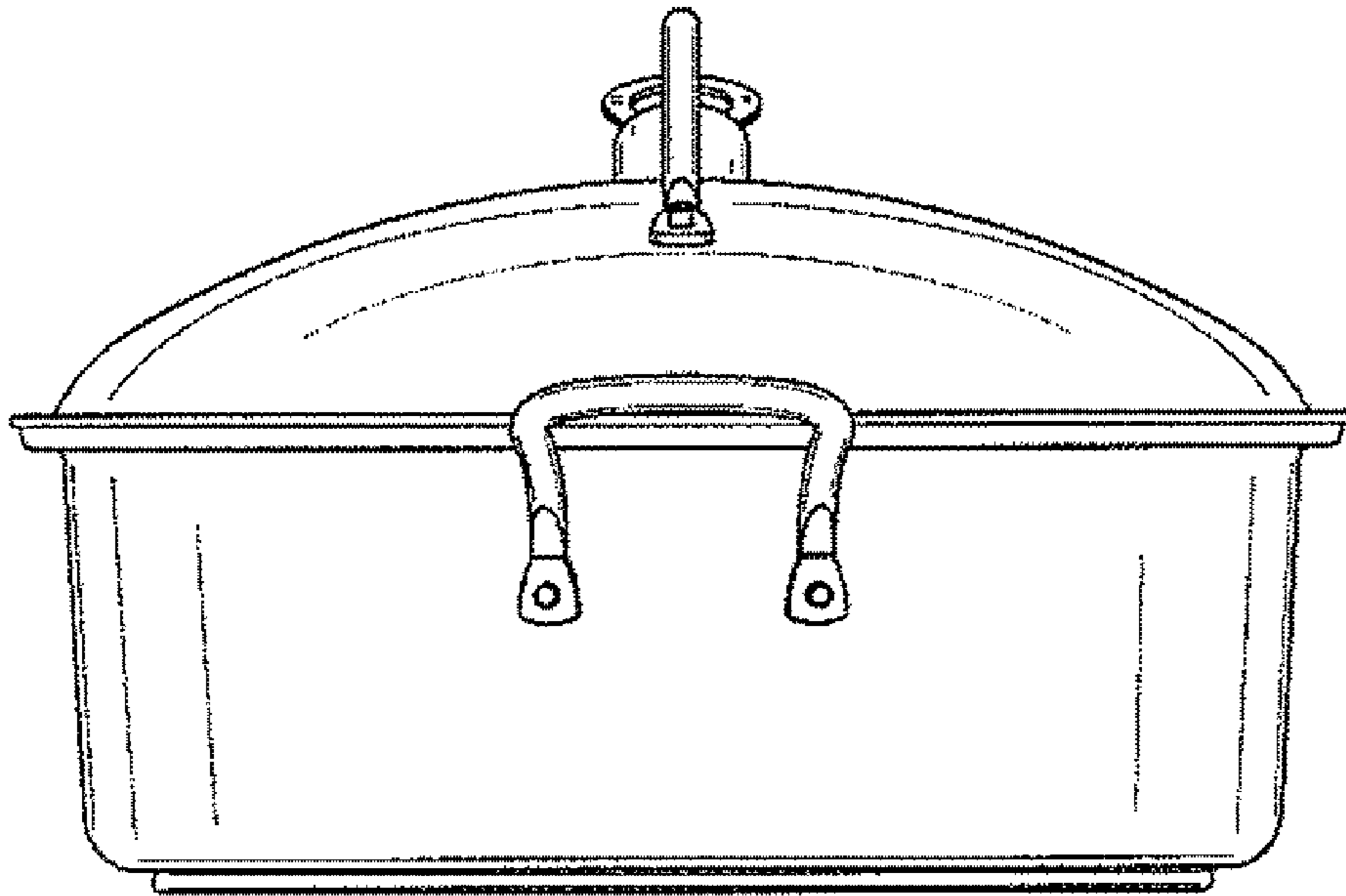


FIG. 6

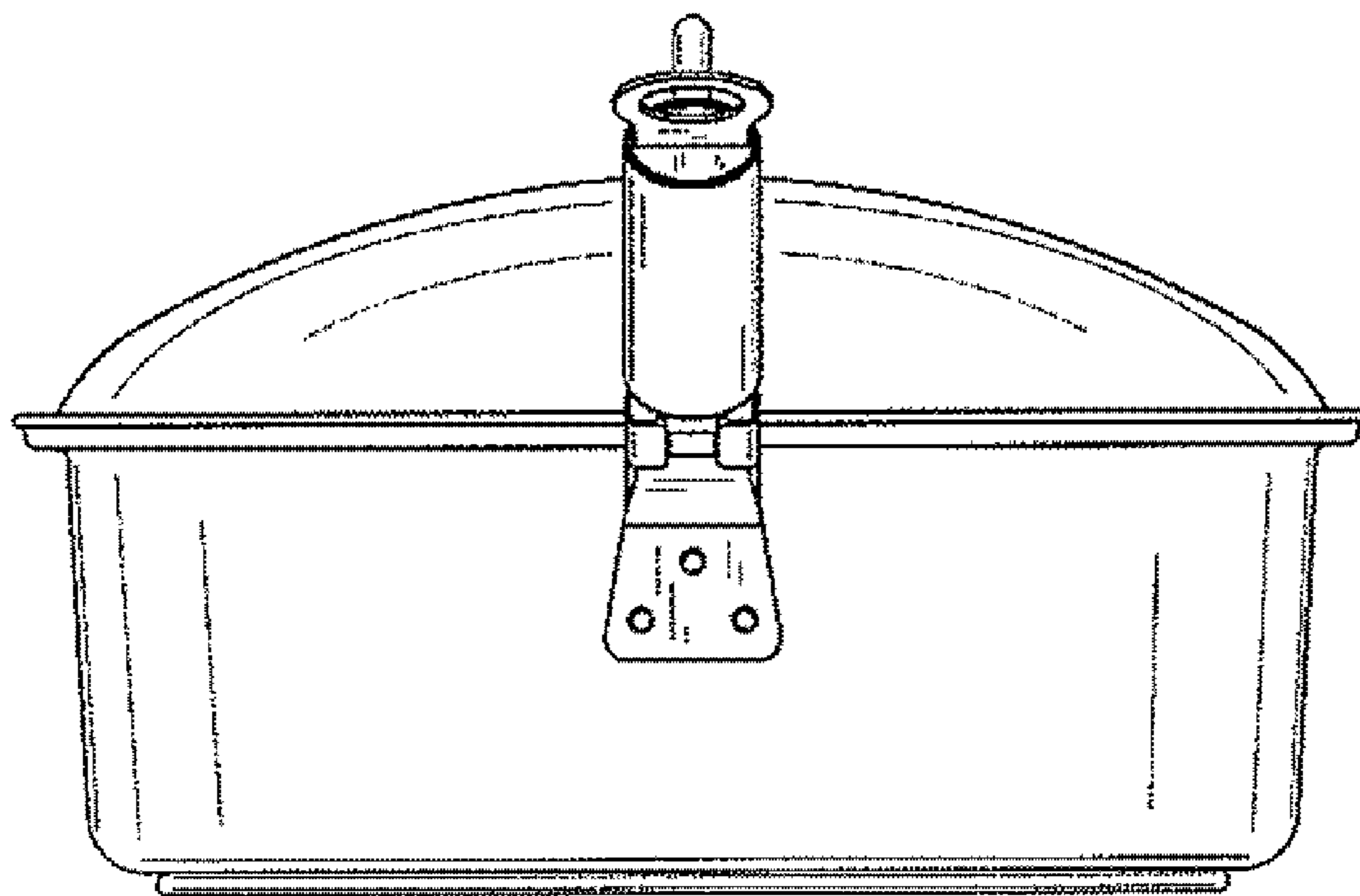


FIG. 7