



US00D637860S

(12) **United States Design Patent**  
**Petty**

(10) **Patent No.:** **US D637,860 S**

(45) **Date of Patent:** **\*\* May 17, 2011**

(54) **SMOKER**

(76) Inventor: **Robert John Petty**, Longview, TX (US)

(\*\*) Term: **14 Years**

(21) Appl. No.: **29/361,982**

(22) Filed: **May 18, 2010**

(51) **LOC (9) Cl.** ..... **07-21**

(52) **U.S. Cl.** ..... **D7/333**

(58) **Field of Classification Search** ..... D7/332-337,  
D7/402-404; 126/25 R, 25 A, 25 B, 41 R,  
126/39-30, 9 R, 8, 38, 4, 268, 276, 40, 50,  
126/506; 99/481-482, 448

See application file for complete search history.

(56) **References Cited**

**U.S. PATENT DOCUMENTS**

D152,813 S *	2/1949	Maselli .....	D7/333
D158,949 S *	6/1950	Ferrin .....	D7/333
D173,983 S *	2/1955	Janssen .....	D7/333
D222,569 S *	11/1971	Ford .....	D7/333
D228,609 S *	10/1973	Tarsitano, Jr. ....	D7/333
D272,885 S *	3/1984	Famiglietti .....	D7/333
D301,107 S *	5/1989	Rocco .....	D7/332

D396,166 S *	7/1998	Pavlich .....	D7/333
6,070,572 A *	6/2000	Casagrande .....	126/506
6,615,818 B1 *	9/2003	Jimka et al. ....	126/8
6,748,939 B1 *	6/2004	Gober .....	126/25 R
D539,071 S *	3/2007	O'Brien et al. ....	D7/333
D571,601 S *	6/2008	Kolar .....	D7/333
7,856,971 B2 *	12/2010	Amaral .....	126/25 A
2007/0221191 A1 *	9/2007	O'Brien et al. ....	126/25 R

\* cited by examiner

*Primary Examiner* — Ruth McInroy

(74) *Attorney, Agent, or Firm* — SNR Denton US LLP

(57) **CLAIM**

The ornamental design for a smoker, as shown and described.

**DESCRIPTION**

FIG. 1 is a perspective view of a smoker showing my new design;

FIG. 2 is a front elevation view thereof;

FIG. 3 is a rear elevation view thereof;

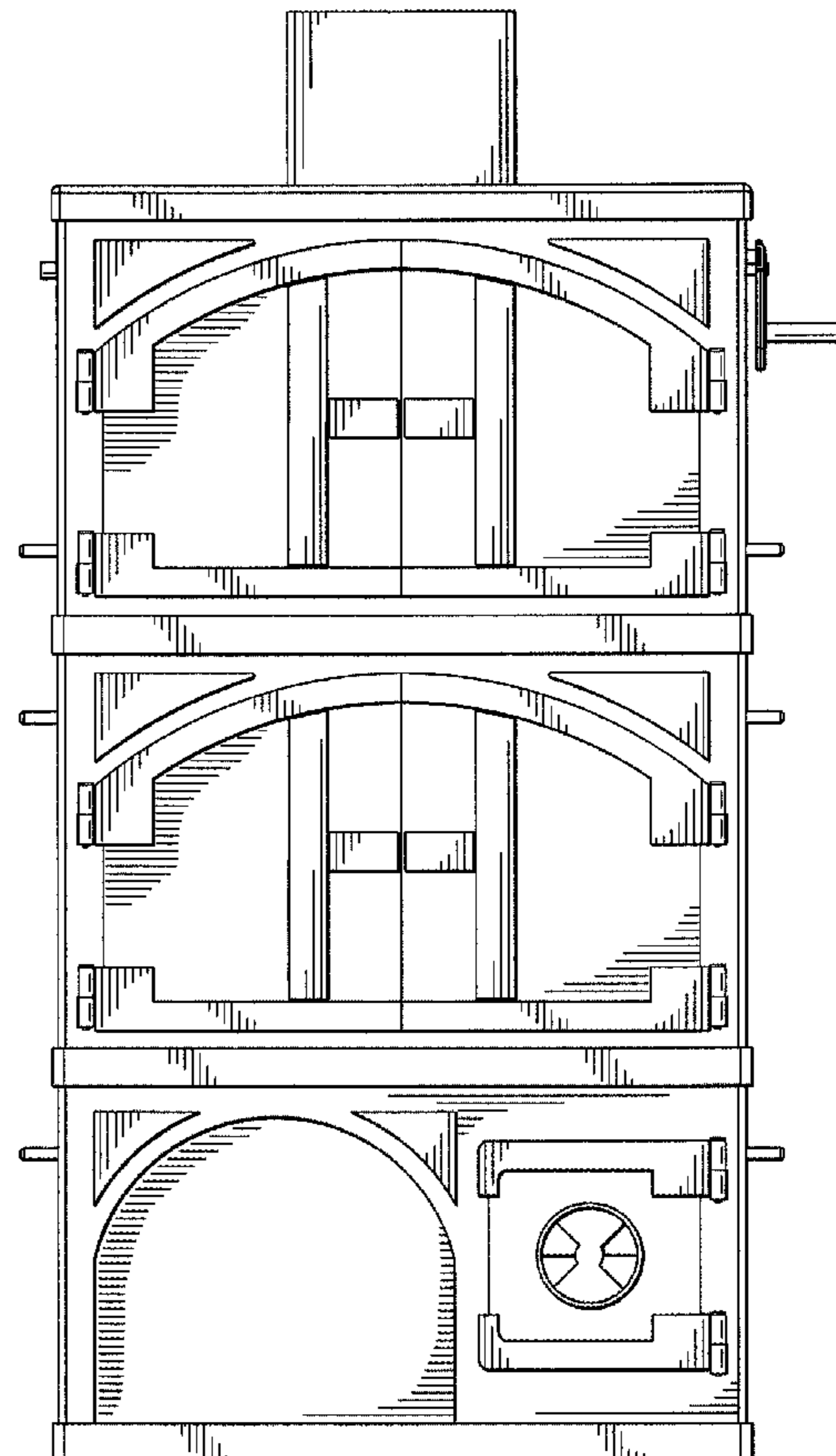
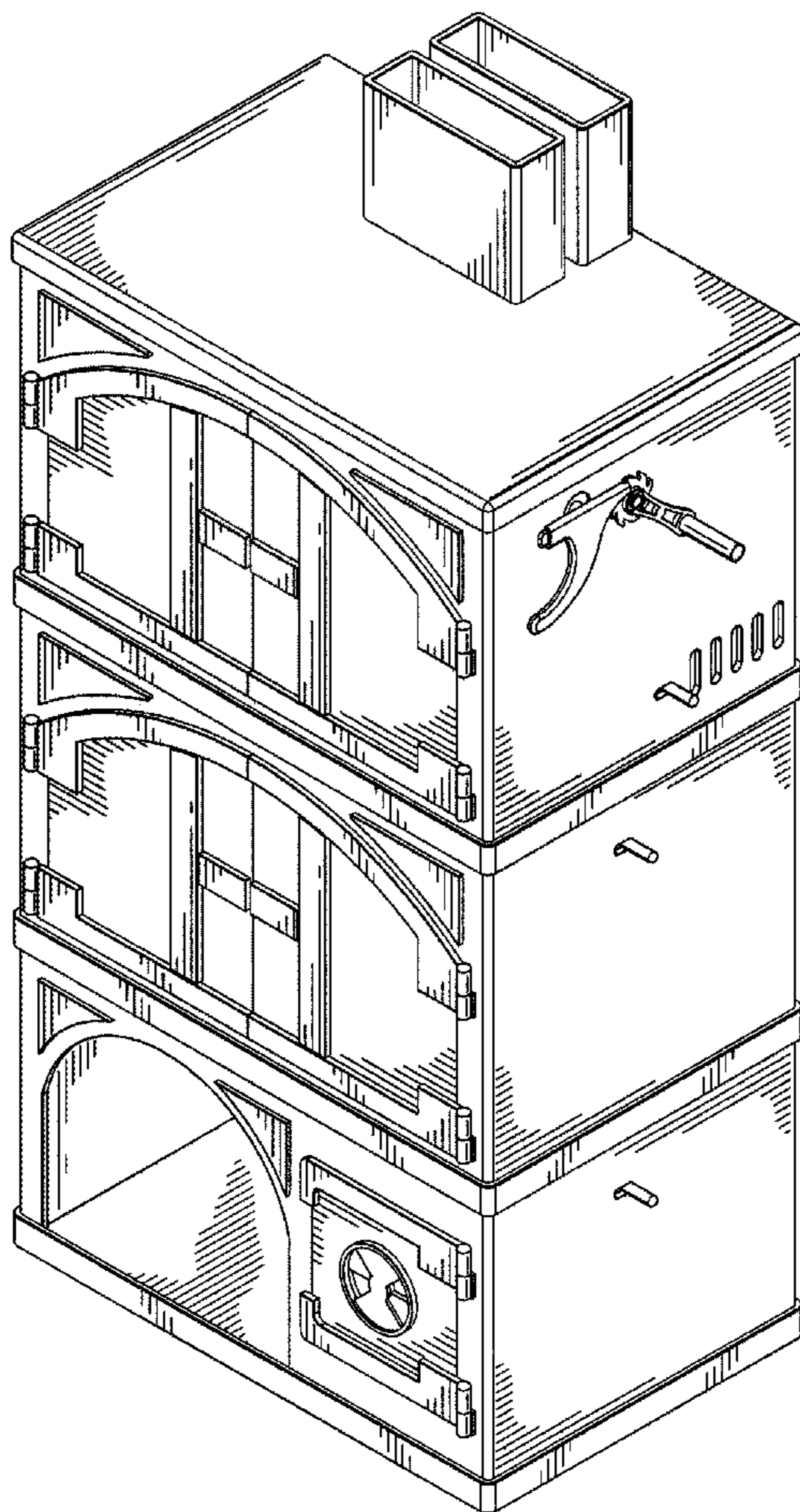
FIG. 4 is a right elevation view thereof;

FIG. 5 is a left elevation view thereof;

FIG. 6 is a top plan view thereof; and,

FIG. 7 is a bottom plan view thereof.

**1 Claim, 6 Drawing Sheets**



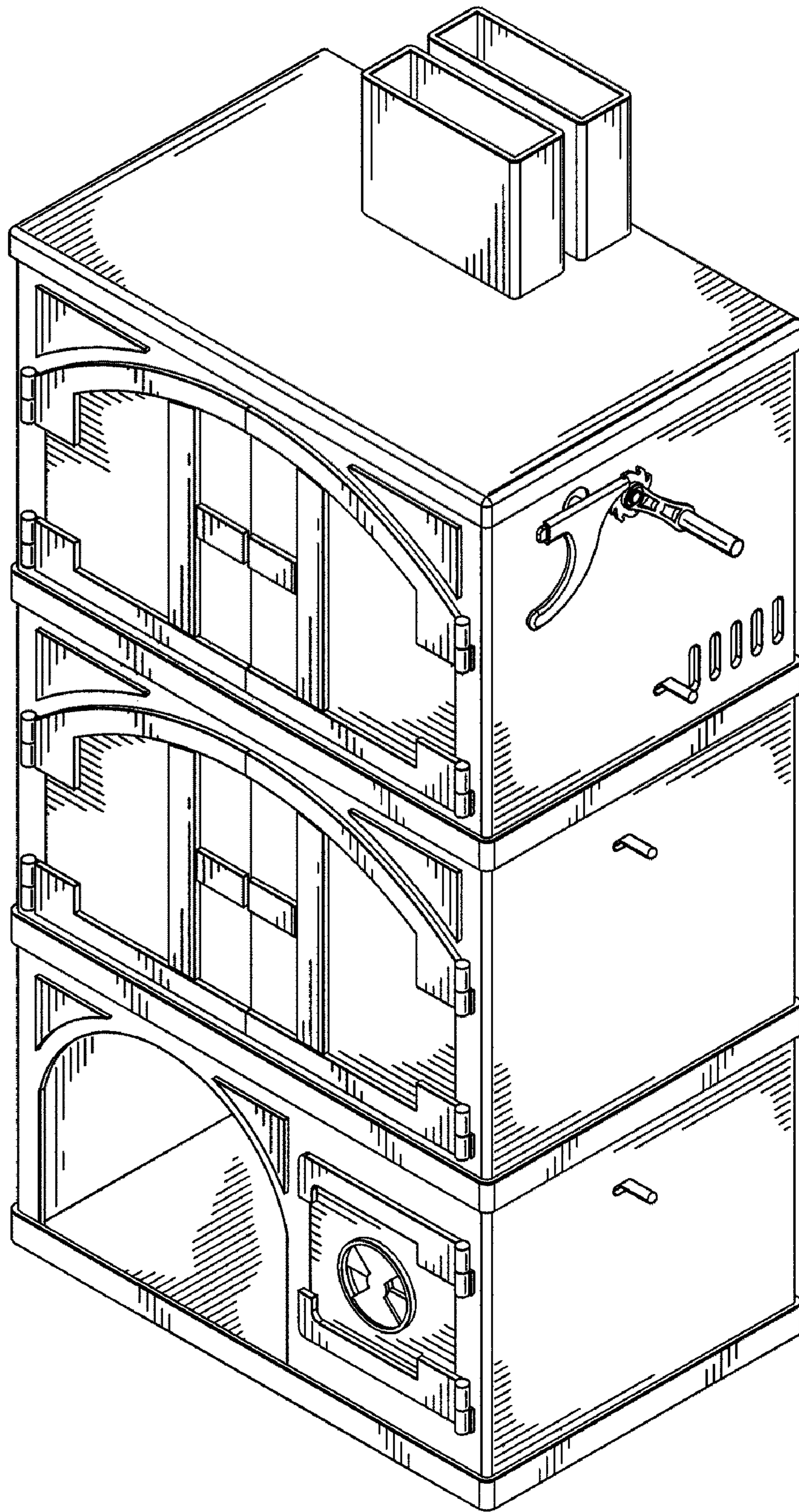


FIG. 1

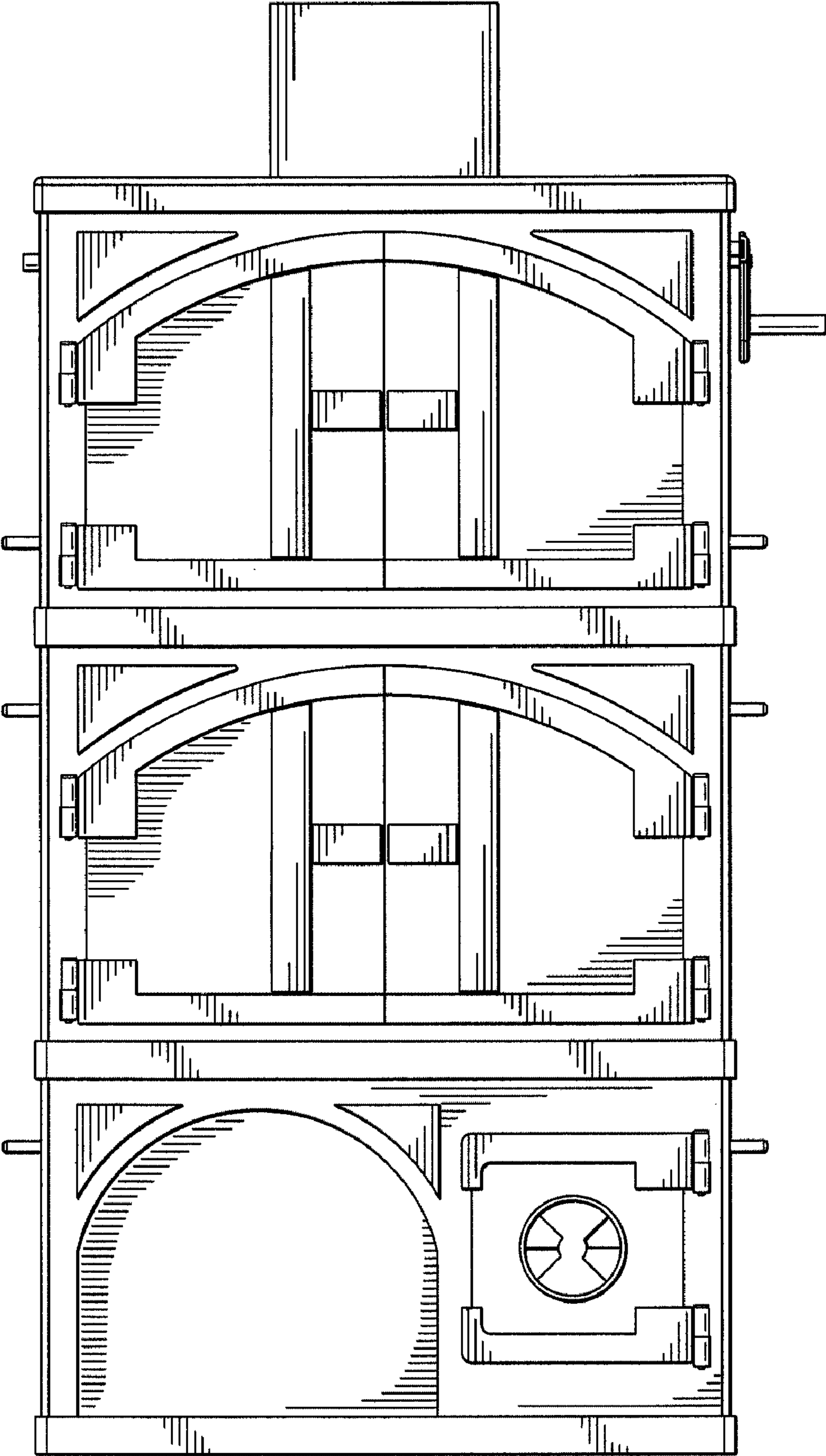


FIG. 2

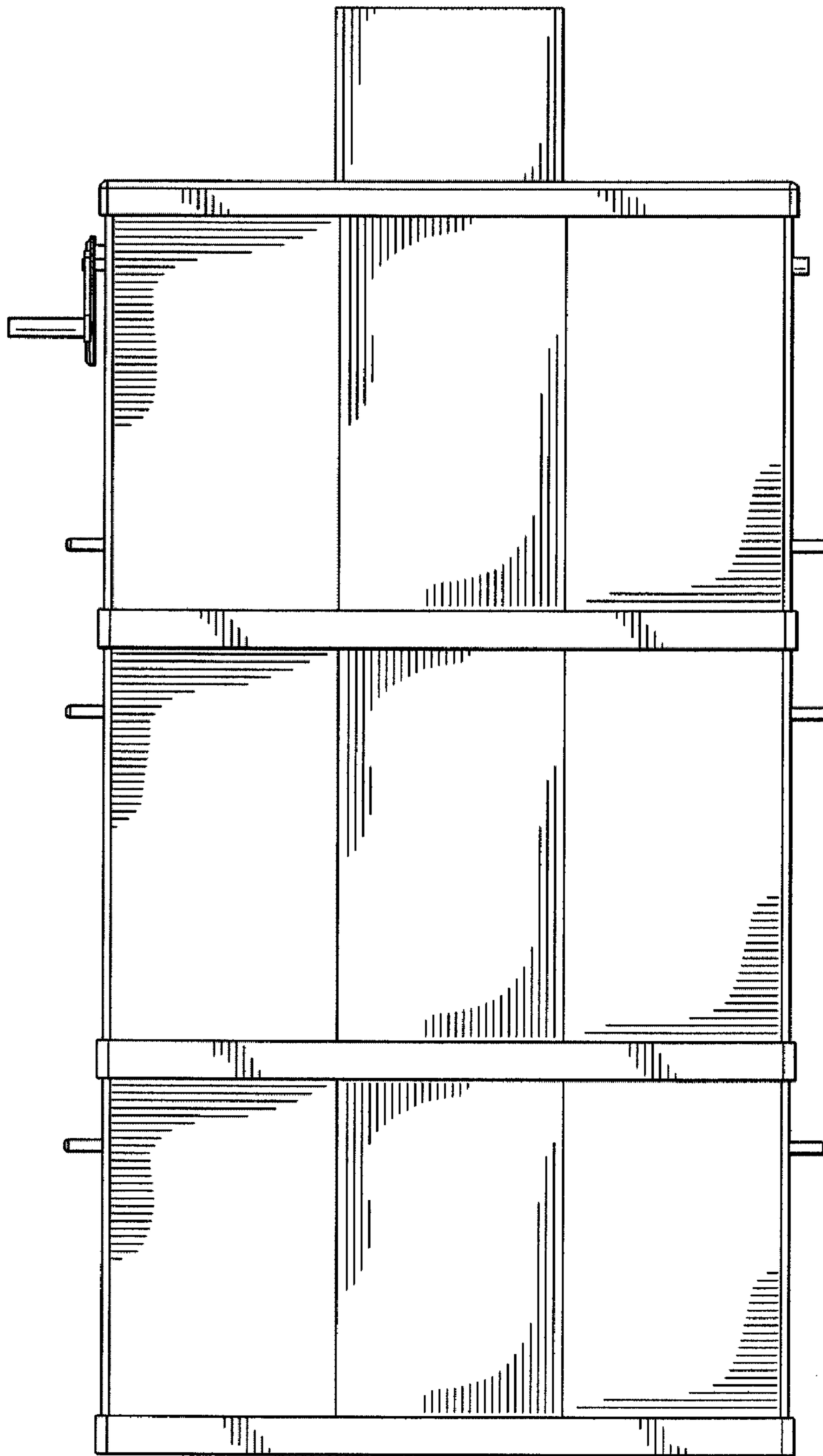


FIG. 3

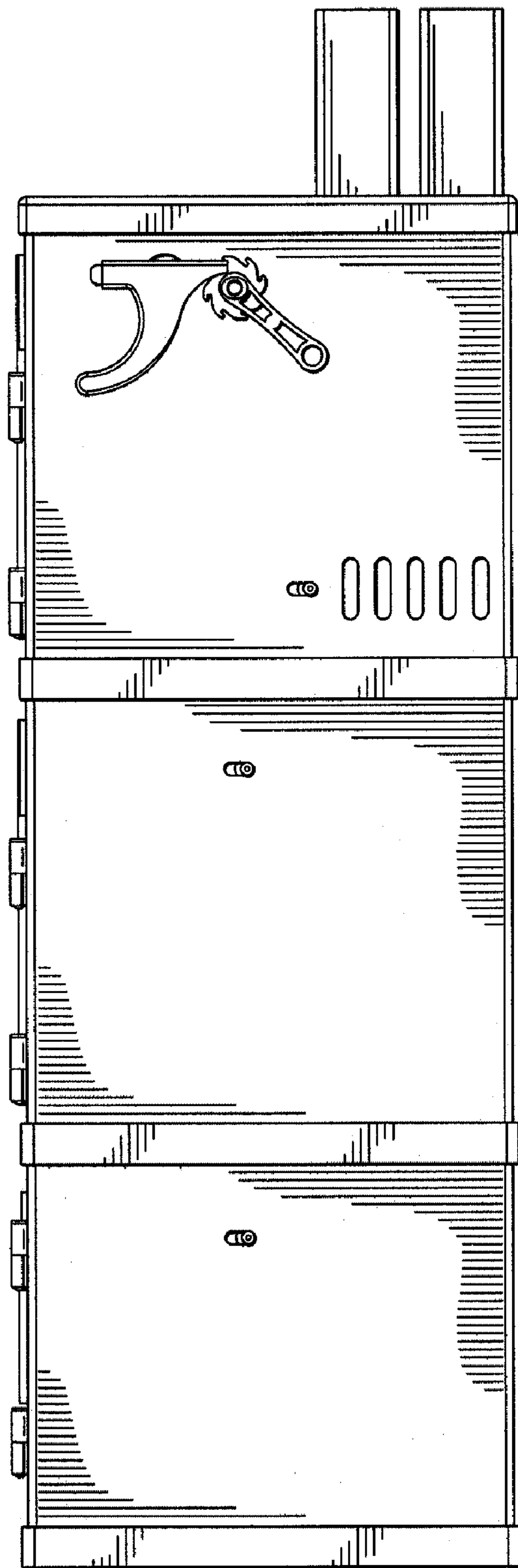


FIG. 4

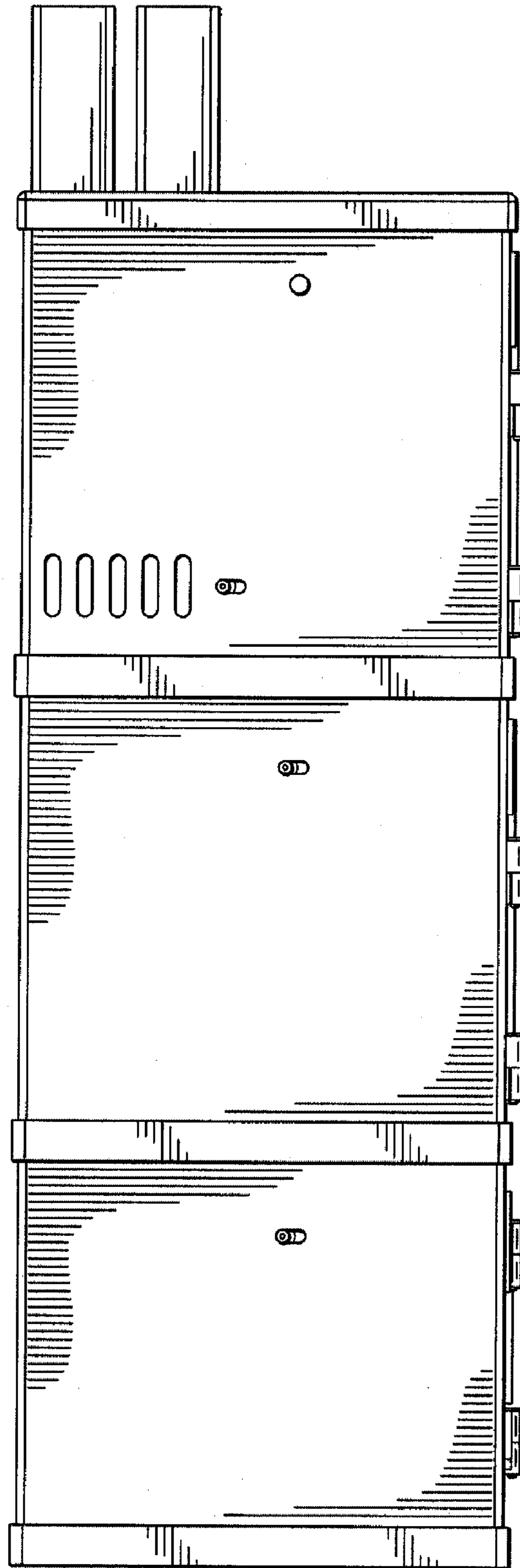


FIG. 5

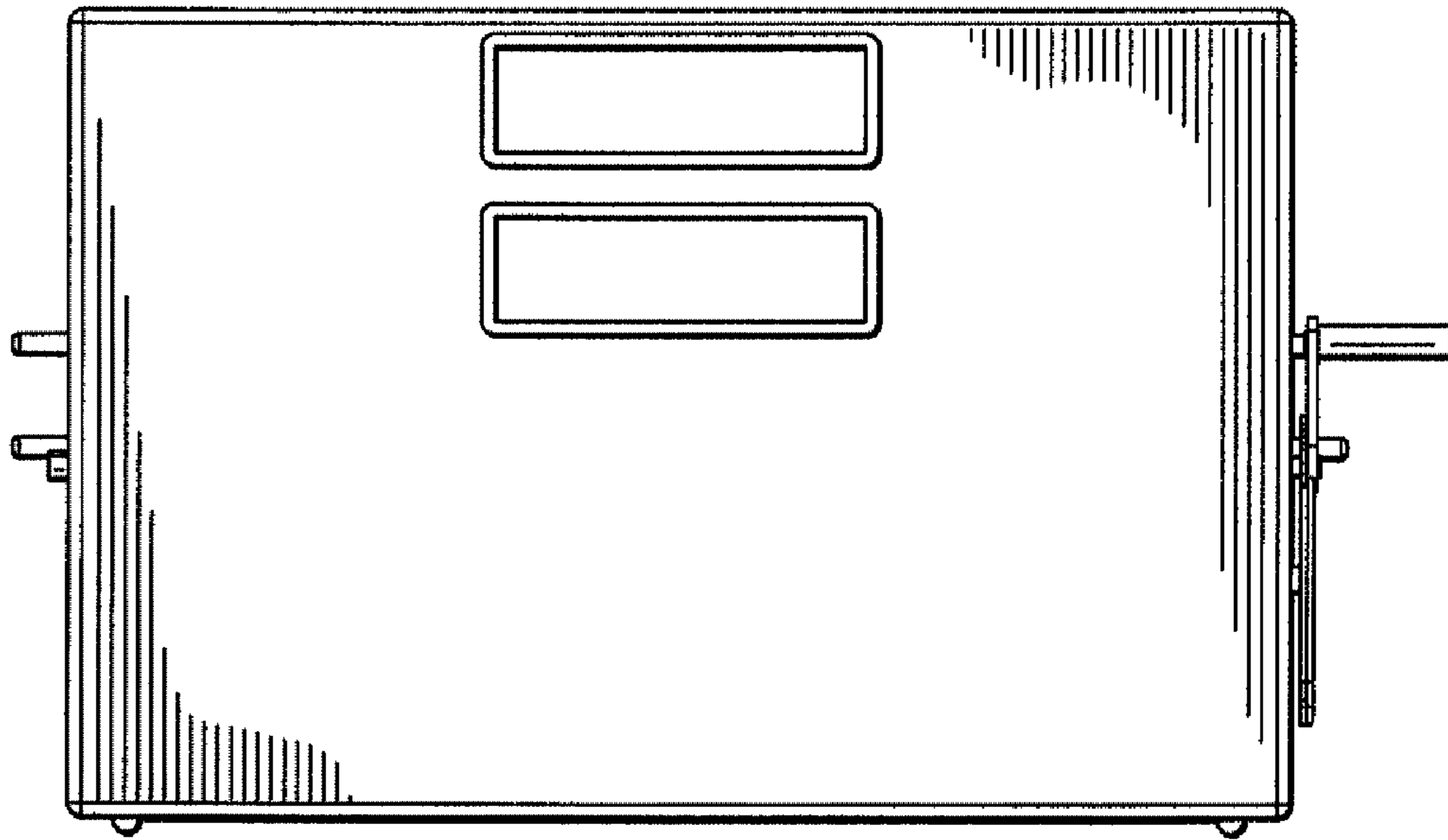


FIG. 6

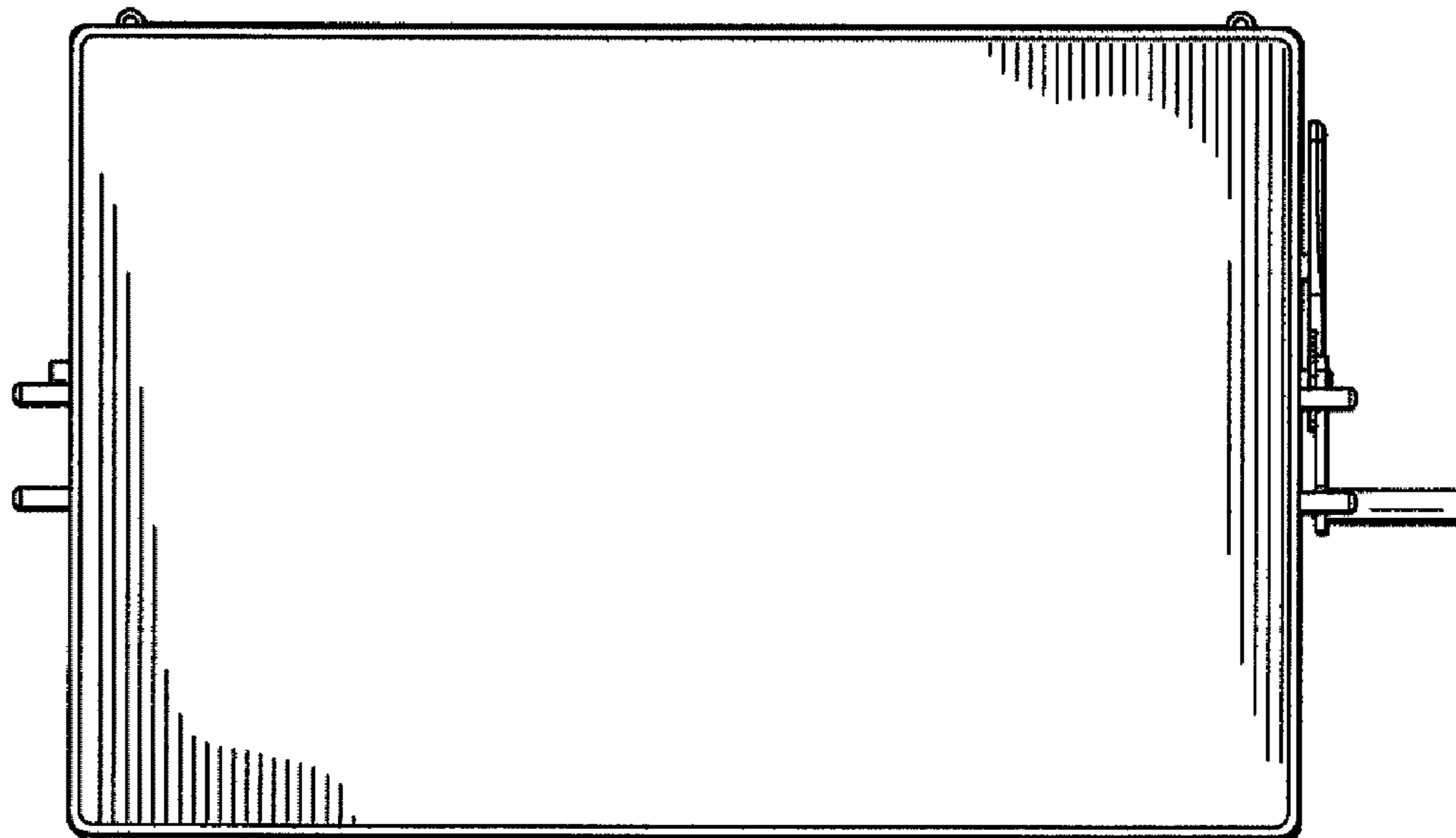


FIG. 7