



US00D637858S

(12) **United States Design Patent**  
**Overstreet et al.**

(10) **Patent No.:** **US D637,858 S**

(45) **Date of Patent:** **\*\* May 17, 2011**

(54) **BED LINEN RETAINER**

(76) Inventors: **Hugh Overstreet**, Wilmington, NC  
(US); **Laura B. Overstreet**, Wilmington,  
NC (US)

(\*\*) Term: **14 Years**

(21) Appl. No.: **29/354,734**

(22) Filed: **Jan. 28, 2010**

(51) **LOC (9) Cl.** ..... **06-99**

(52) **U.S. Cl.** ..... **D6/607**

(58) **Field of Classification Search** ..... D6/491,  
D6/492, 503, 595-600, 606, 607; 5/496,  
5/498, 504.1, 505.1, 506.1, 507.1, 651, 658,  
5/663; D8/14.403; 24/72.5; 428/40.1

See application file for complete search history.

(56) **References Cited**

**U.S. PATENT DOCUMENTS**

1,508,643	A	9/1924	Brokaw	
2,562,333	A *	7/1951	Ries	5/504.1
4,214,327	A *	7/1980	Smith	5/651
4,341,828	A *	7/1982	Stephens	428/40.1
4,520,518	A	6/1985	Reaser	
4,521,930	A *	6/1985	Henson	5/658
4,635,308	A	1/1987	Maggio et al.	
4,794,660	A	1/1989	Hawkrigg	

4,967,434	A	11/1990	Hill	
5,555,578	A	9/1996	Wyatt et al.	
D415,412	S *	10/1999	Chavers	D8/403
D426,758	S *	6/2000	Mitchell	D8/14
6,076,212	A *	6/2000	Feld	5/663
D463,942	S *	10/2002	Stevko	D6/601
6,457,194	B1	10/2002	Bennett	
D528,842	S	9/2006	Wyatt et al.	

\* cited by examiner

*Primary Examiner* — Mary Ann Calabrese

(74) *Attorney, Agent, or Firm* — Montgomery Patent and  
Design; Robert C. Montgomery; Joseph T. Yaksich

(57) **CLAIM**

The ornamental design for a bed linen retainer, as shown and  
described.

**DESCRIPTION**

FIG. 1 is a perspective view of a bed linen retainer, showing  
my new design;

FIG. 2 is a front view thereof;

FIG. 3 is a rear view thereof;

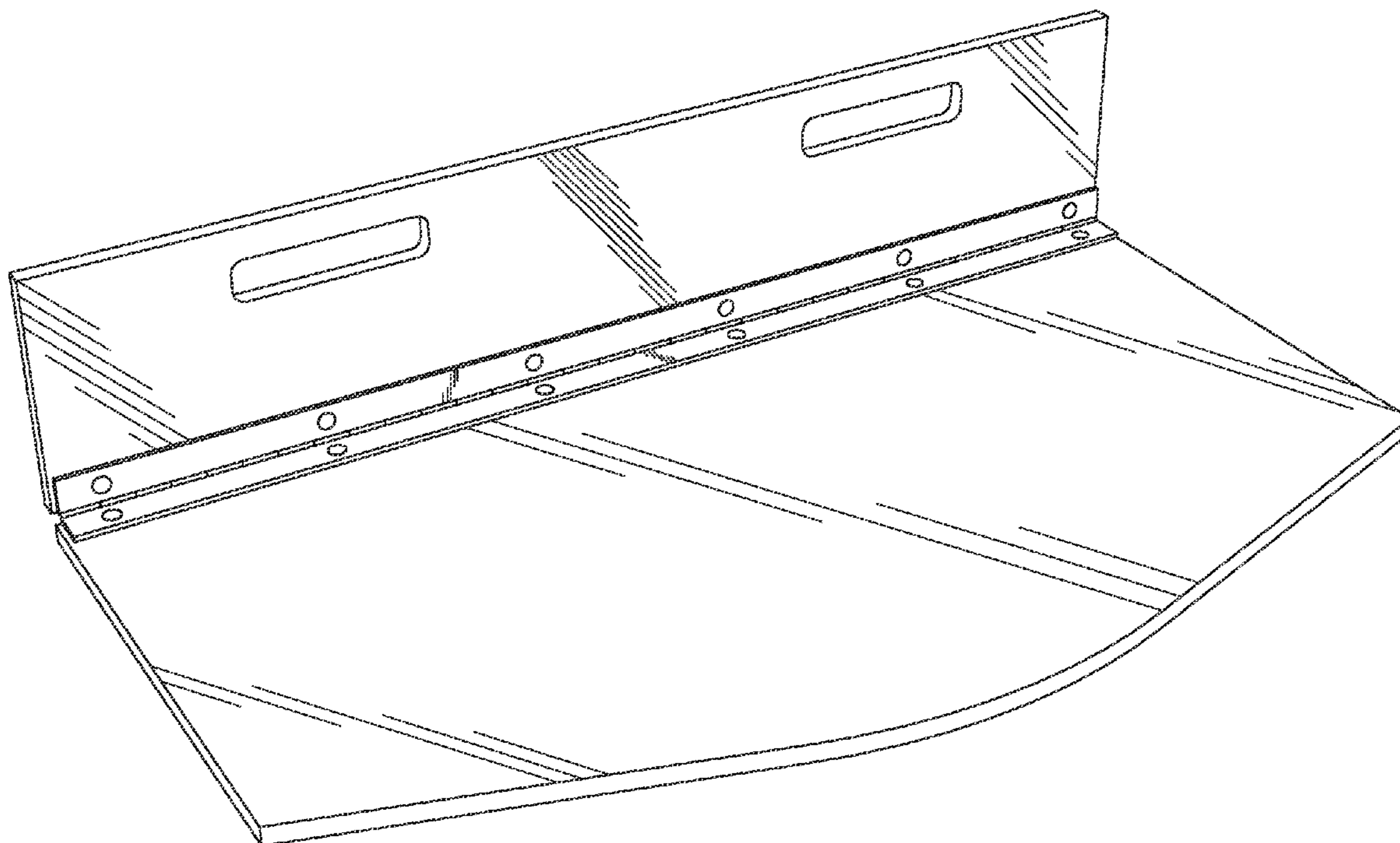
FIG. 4 is a left side view thereof;

FIG. 5 is a right side view thereof;

FIG. 6 is a top view thereof; and,

FIG. 7 is a bottom view thereof.

**1 Claim, 7 Drawing Sheets**



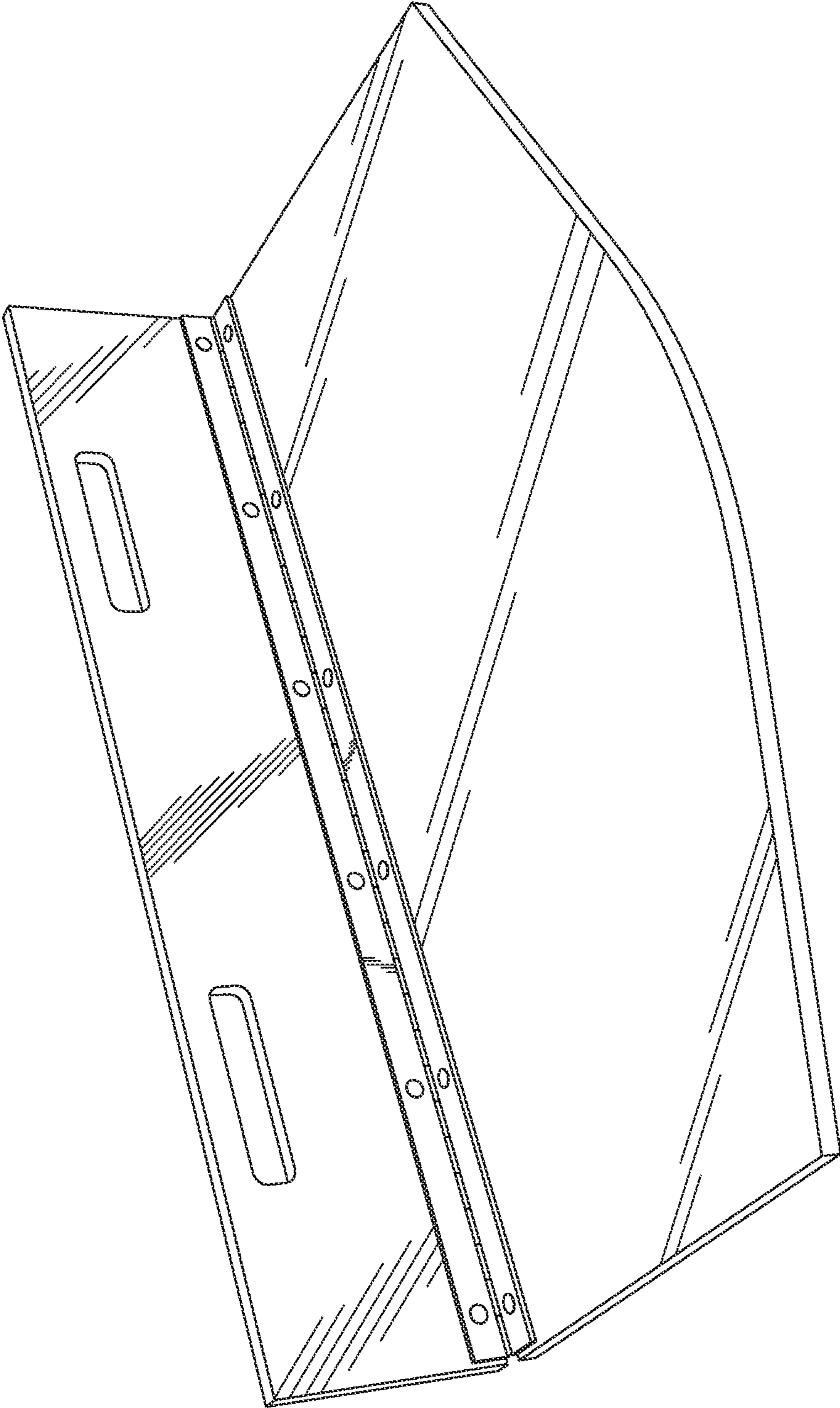


Fig. 1

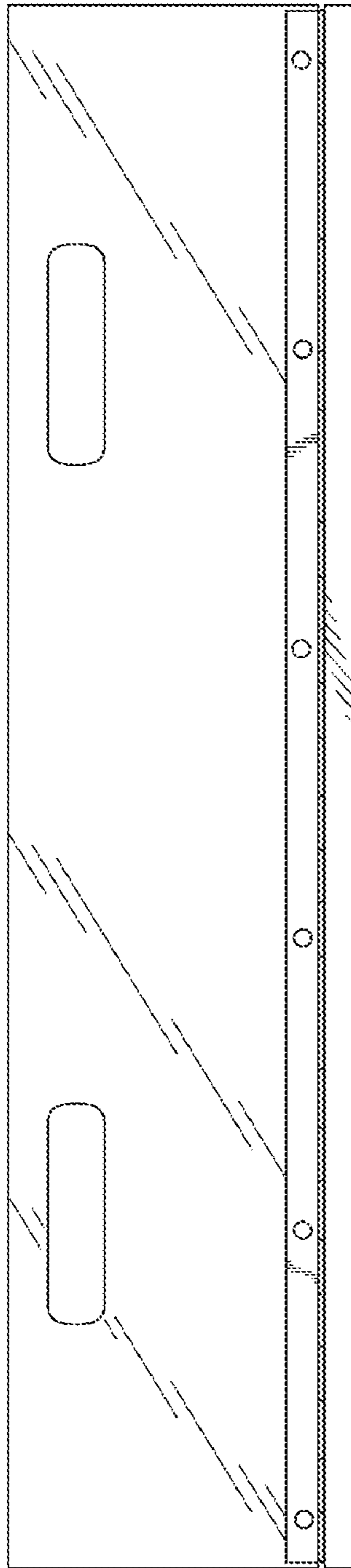


Fig 2

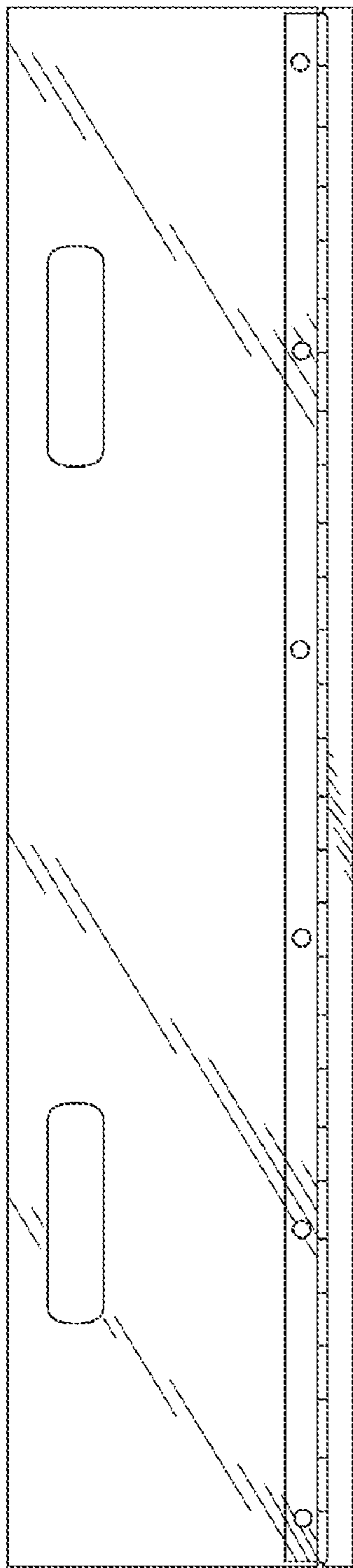


Fig 3

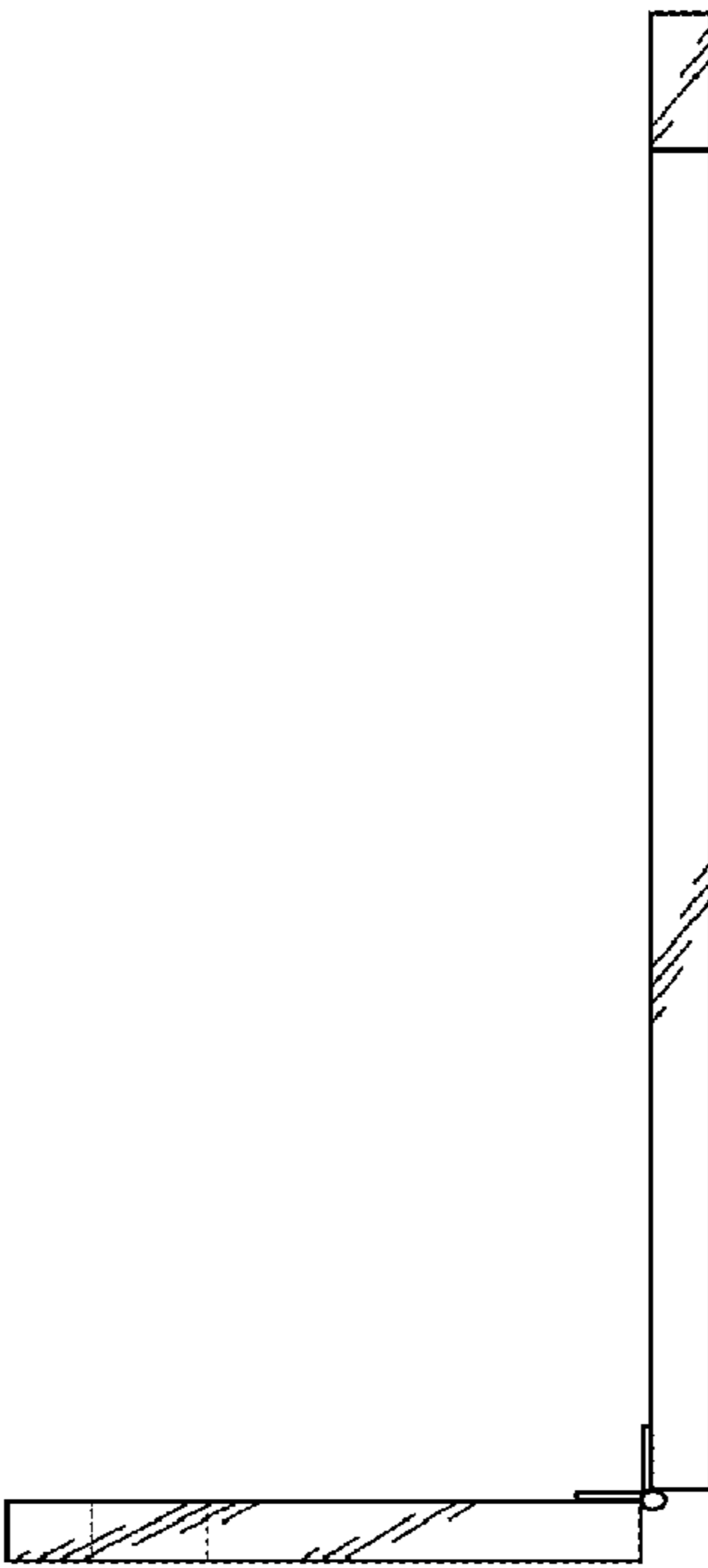


Fig 4



Fig 5

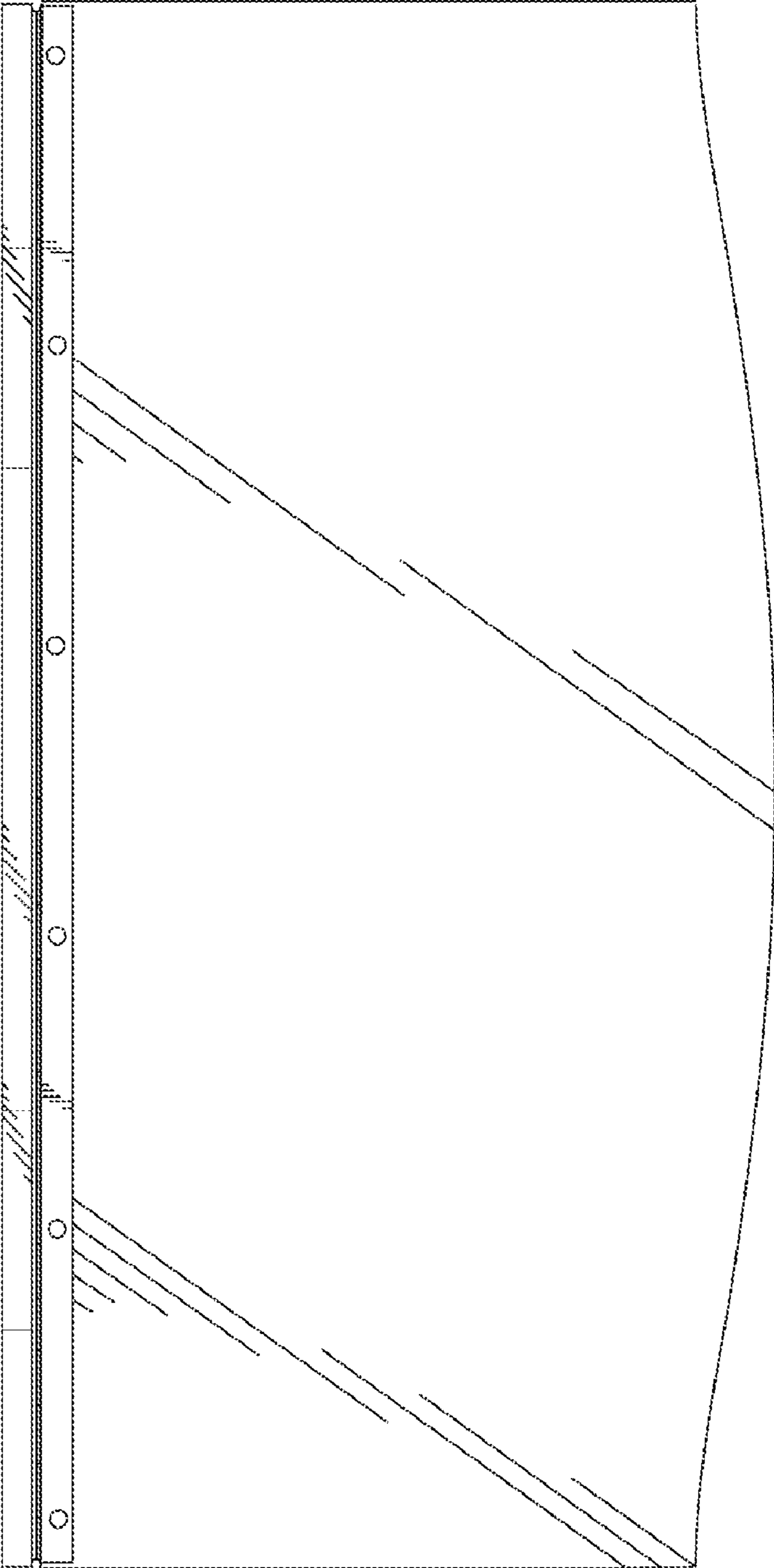


Fig 6

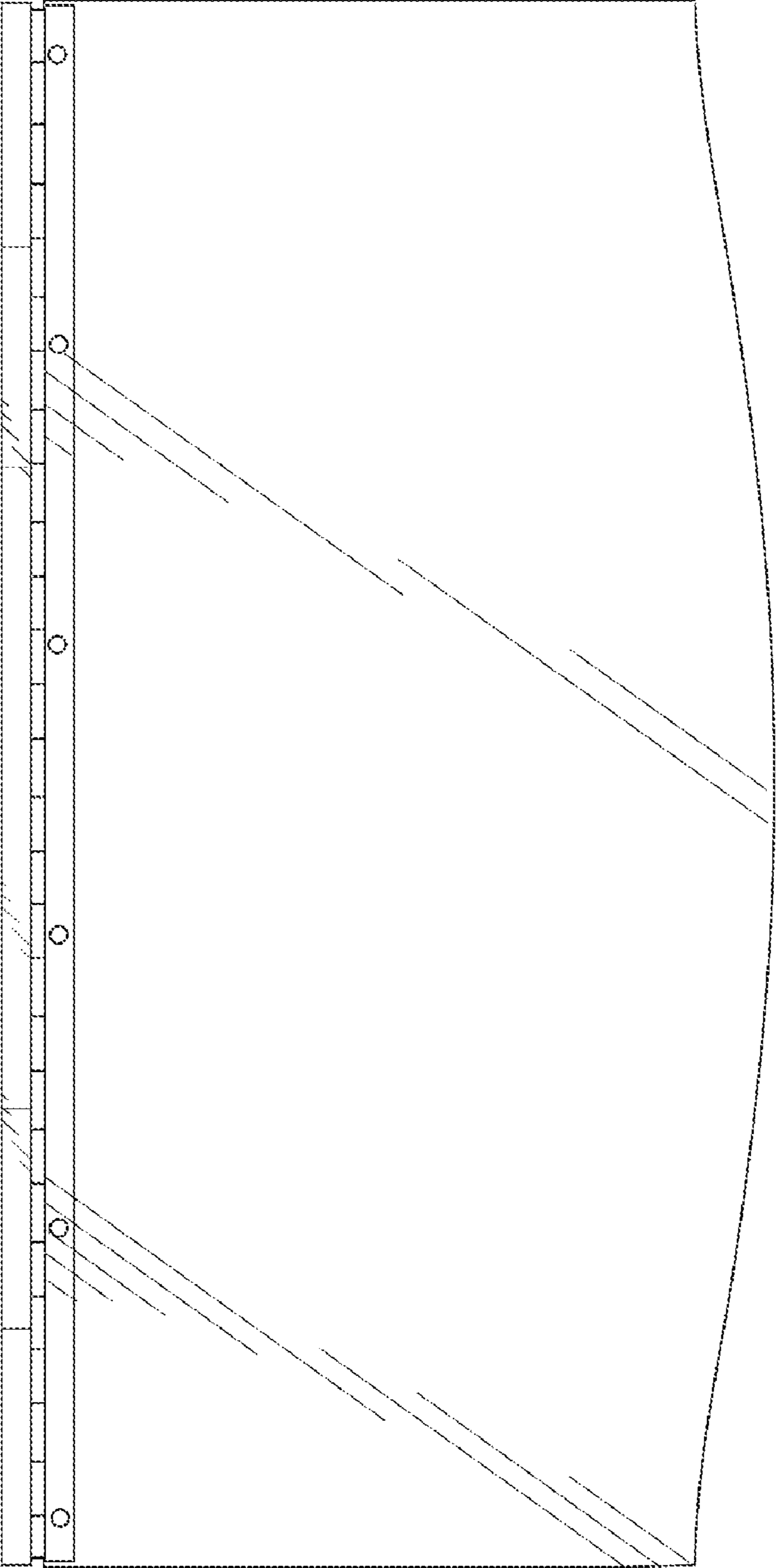


Fig 7