



US00D637857S

(12) **United States Design Patent**
Waite

(10) **Patent No.:** **US D637,857 S**

(45) **Date of Patent:** **** May 17, 2011**

(54) **COMFORTER WITH REMOVABLE
DECORATIVE PANEL**

5,070,561 A * 12/1991 Keidser 5/482
6,243,895 B1 * 6/2001 Amin 5/498
7,051,387 B1 * 5/2006 Yoder et al. 5/413 R

(75) Inventor: **Carmen Waite**, Charlotte, NC (US)

* cited by examiner

(73) Assignee: **Springs Global US, Inc.**, Fort Mill, SC
(US)

Primary Examiner — Zenia I Bennett

(74) *Attorney, Agent, or Firm* — Myers Bigel Sibley &
Sajovec, P.A.

(**) Term: **14 Years**

(57) **CLAIM**

The ornamental design for a comforter with removable deco-
rative panel, as shown and described.

(21) Appl. No.: **29/381,230**

DESCRIPTION

(22) Filed: **Dec. 16, 2010**

Related U.S. Application Data

(62) Division of application No. 29/329,274, filed on Dec.
11, 2008, now Pat. No. Des. 629,242.

FIG. 1 is a perspective view of a comforter with removable
decorative panel, showing my new design in an exemplary
environment;

(51) **LOC (9) Cl.** **06-09**

FIG. 2 is a top plan view thereof;

(52) **U.S. Cl.** **D6/603**

FIG. 3 is an end view thereof;

(58) **Field of Classification Search** D6/596-603,
D6/608, 609, 588; 5/482, 485, 489-491,
5/494, 495, 497, 499-502, 417-420, 907

FIG. 4 is an end view thereof, opposite that shown in FIG. 3;

FIG. 5 is a side view thereof;

See application file for complete search history.

FIG. 6 is a side view thereof, opposite that shown in FIG. 5;

FIG. 7 is a bottom plan view of the removable decorative
panel thereof;

(56) **References Cited**

U.S. PATENT DOCUMENTS

2,264,471 A * 12/1941 Glenn 5/419
D212,149 S * 9/1968 Tuvert D2/719
3,971,194 A * 7/1976 Morgan 54/66
4,513,461 A * 4/1985 Tardivel 5/413 R
4,903,361 A * 2/1990 Tang 5/502
D319,366 S * 8/1991 Popovich et al. D6/603

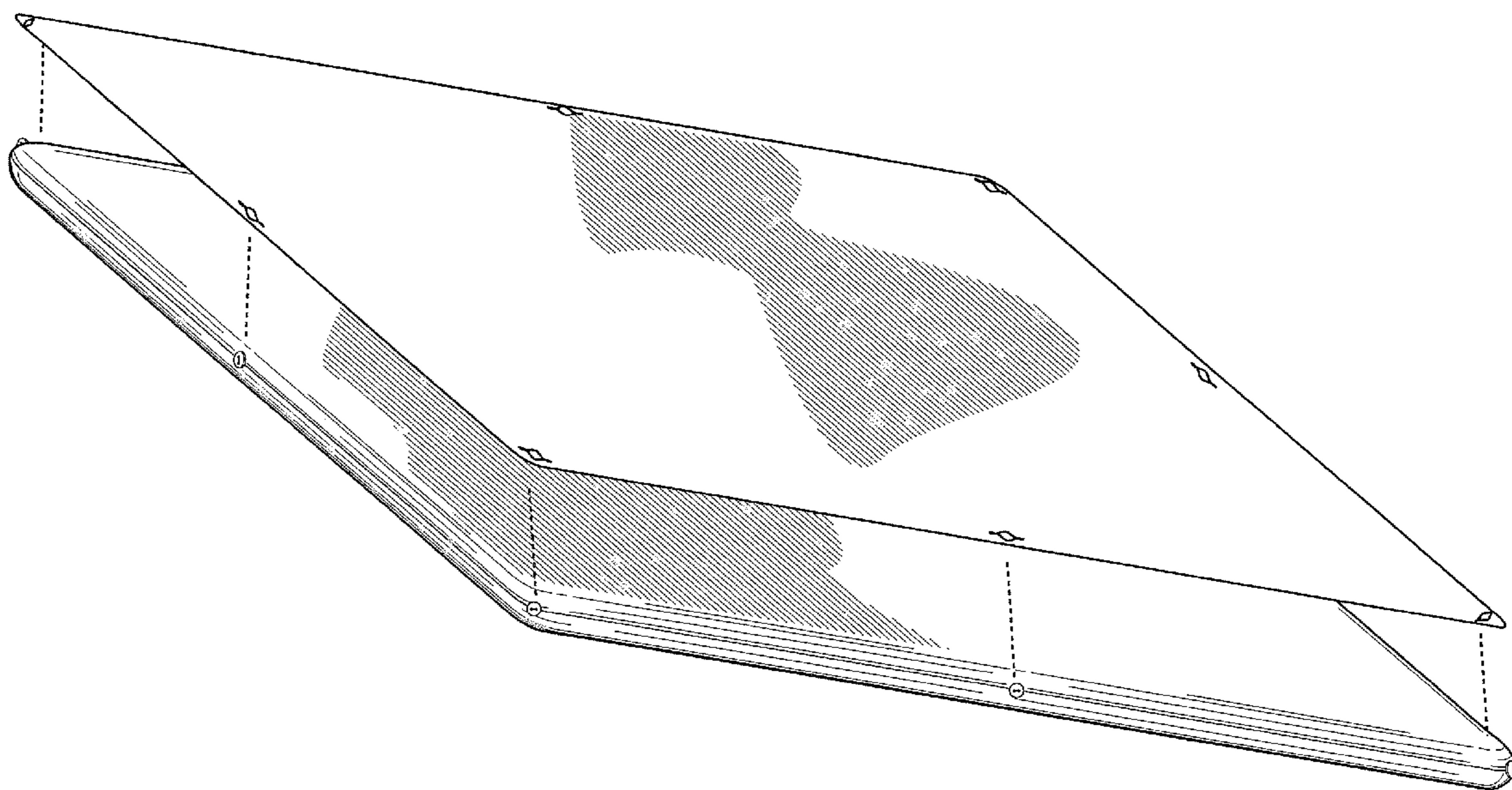
FIG. 8 is an enlarged fragmentary perspective view of the
fastener shown within the rectangular area identified as 8 in
FIG. 2;

FIG. 9 is a top plan view of the fastener shown in FIG. 8; and,

FIG. 10 is an exploded perspective view of the comforter with
removable decorative panel shown in FIG. 1.

The broken lines shown herein are for illustrative purposes
only and form no part of the claimed design.

1 Claim, 5 Drawing Sheets



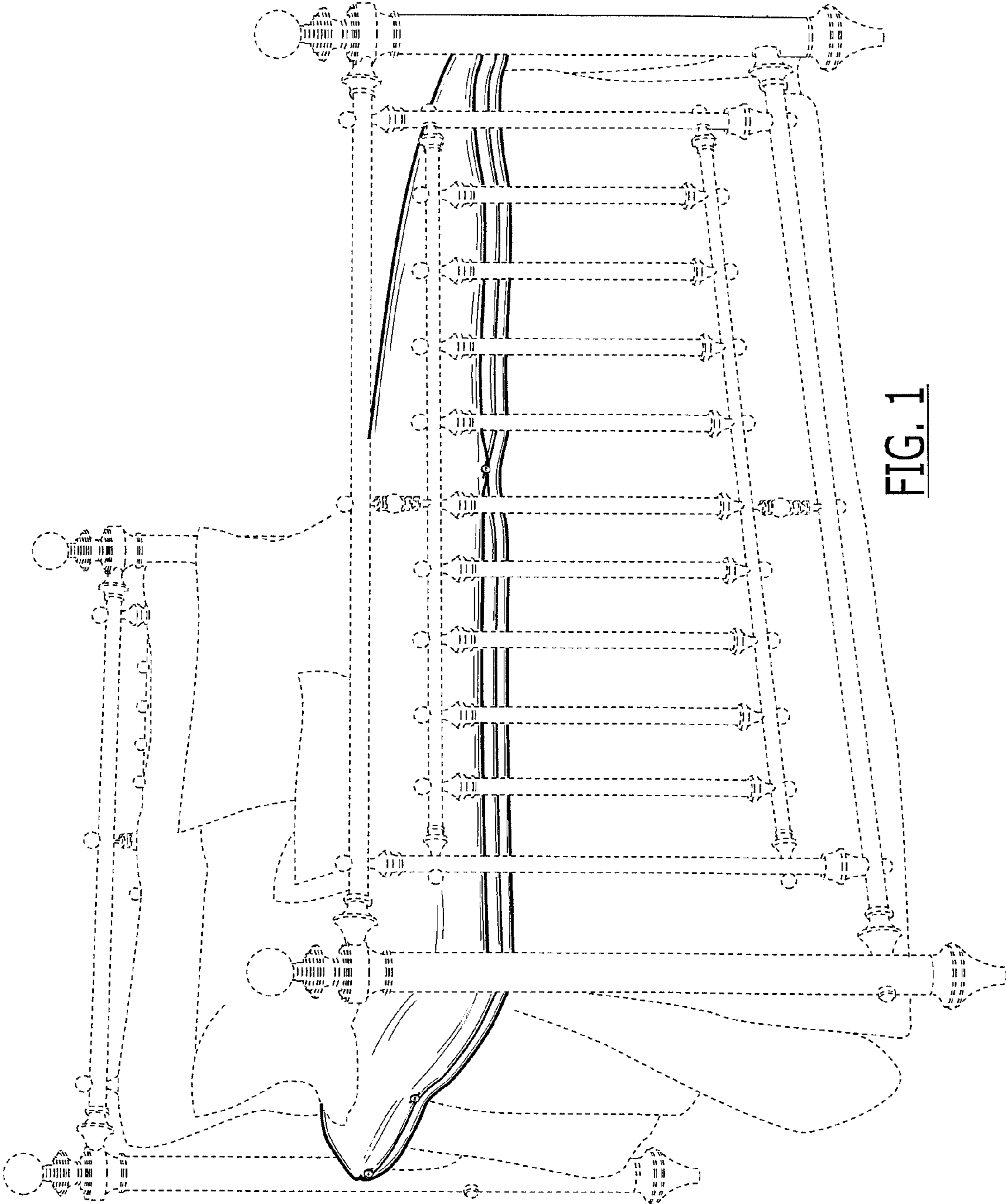


FIG. 1

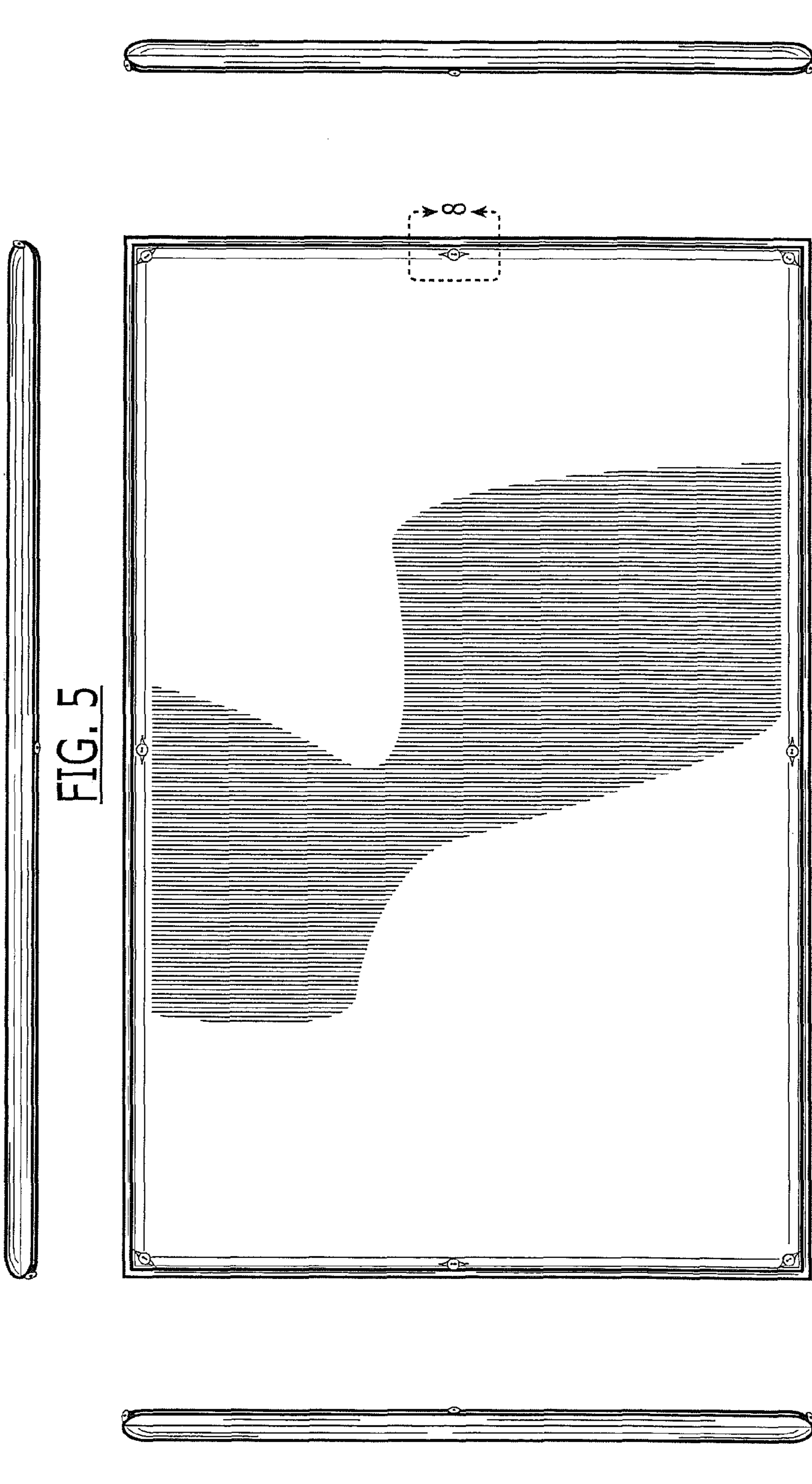


FIG. 5

FIG. 2

FIG. 3

FIG. 4

FIG. 6

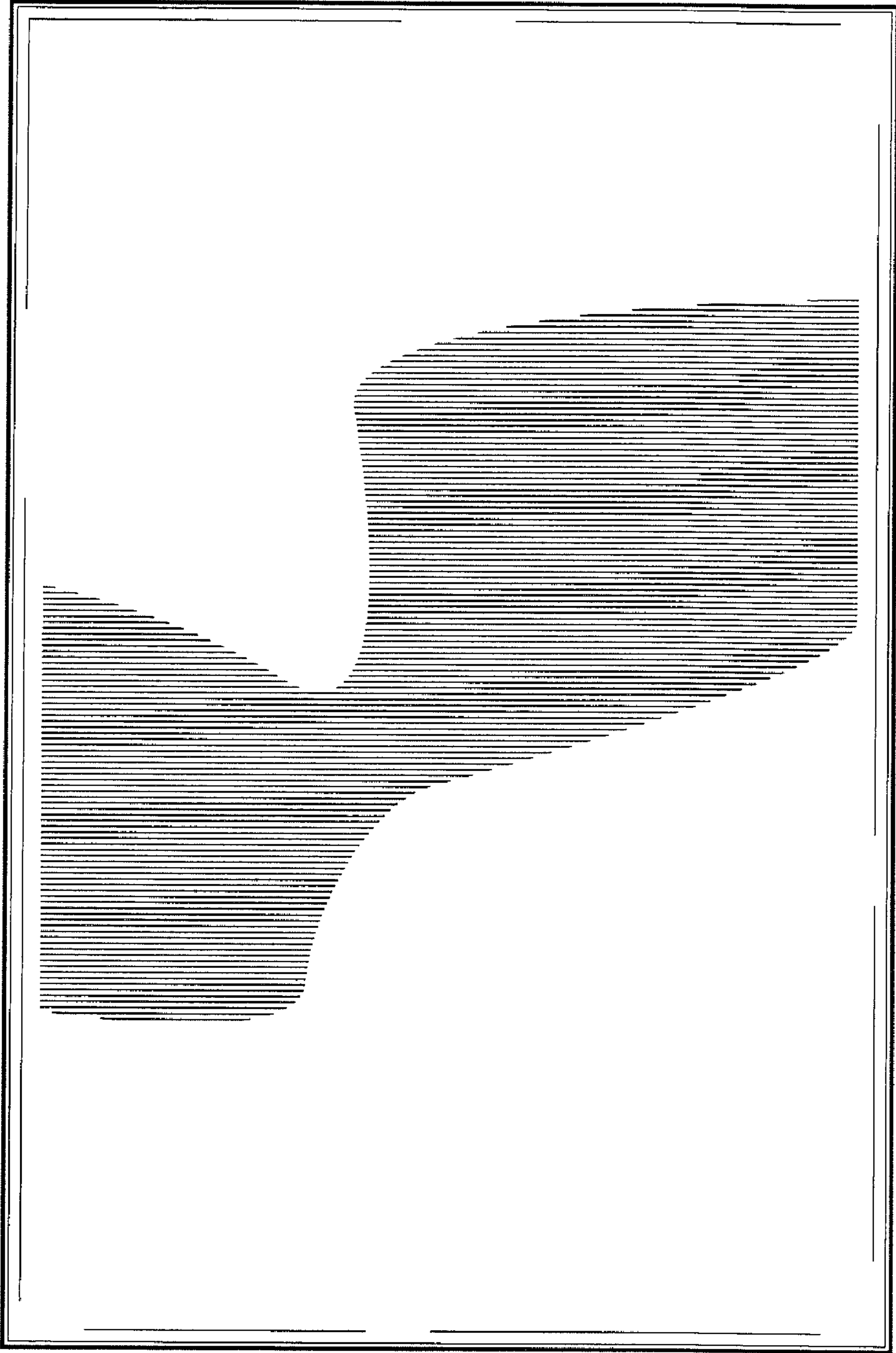


FIG. 7

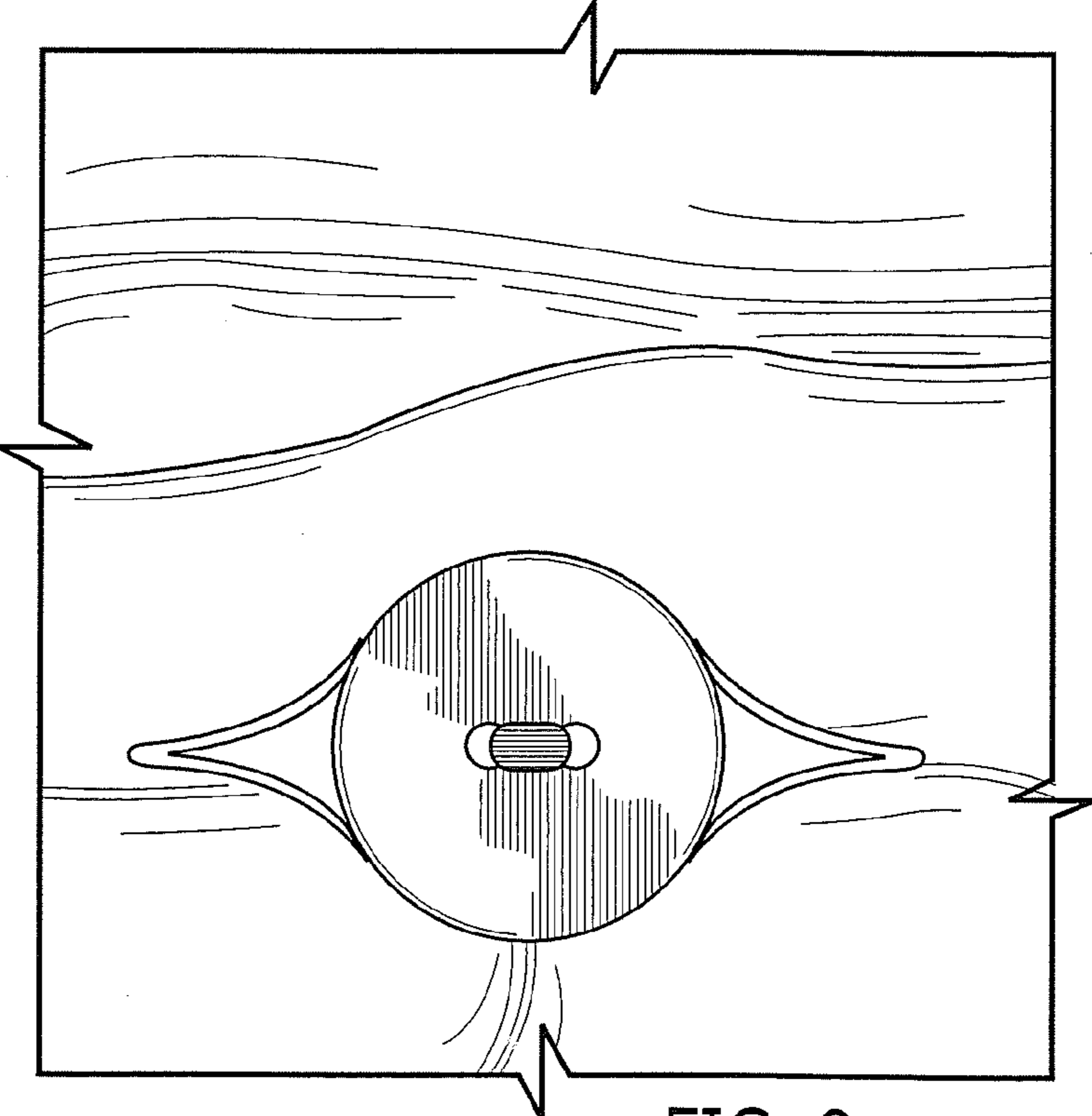
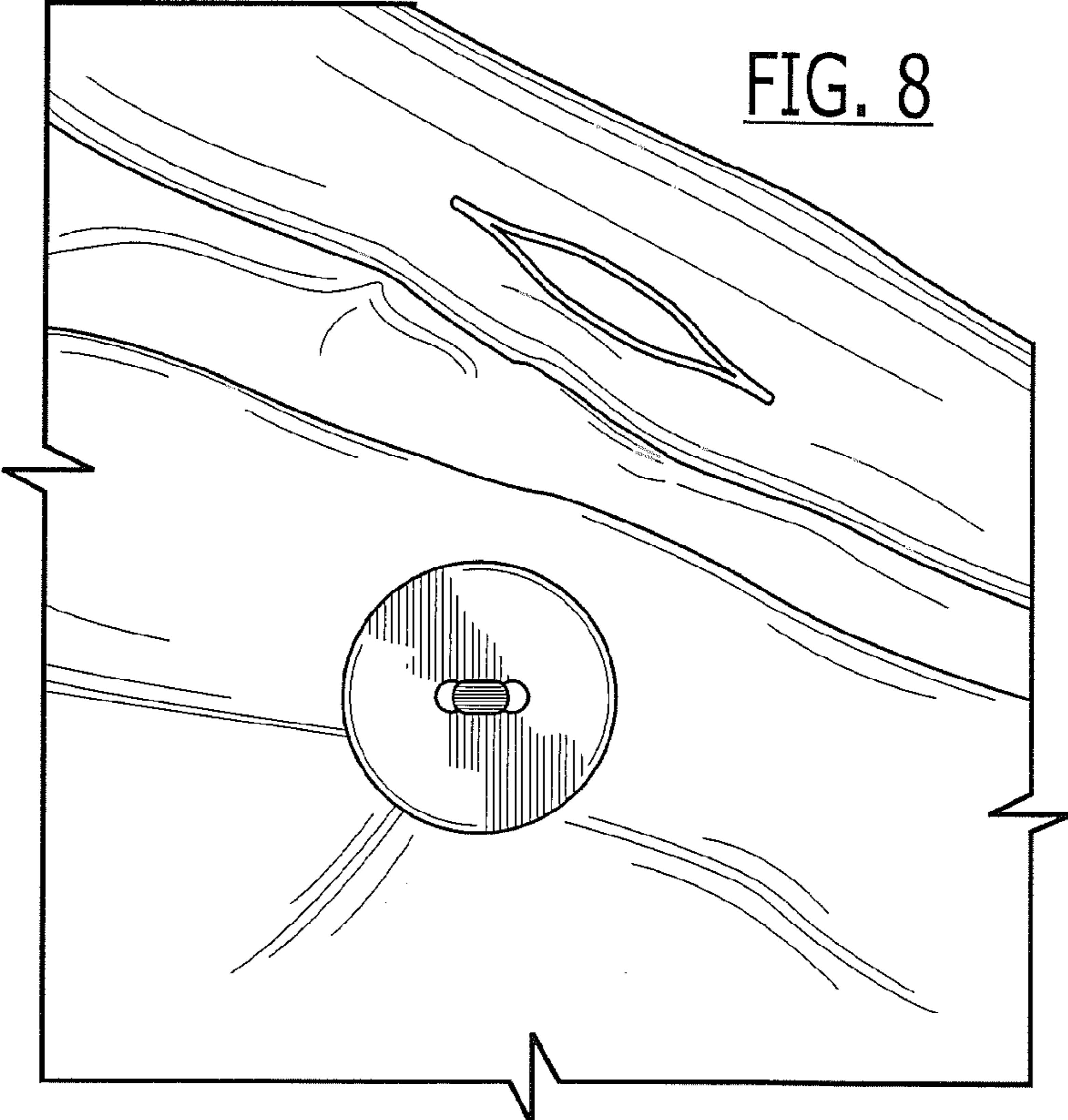


FIG. 9

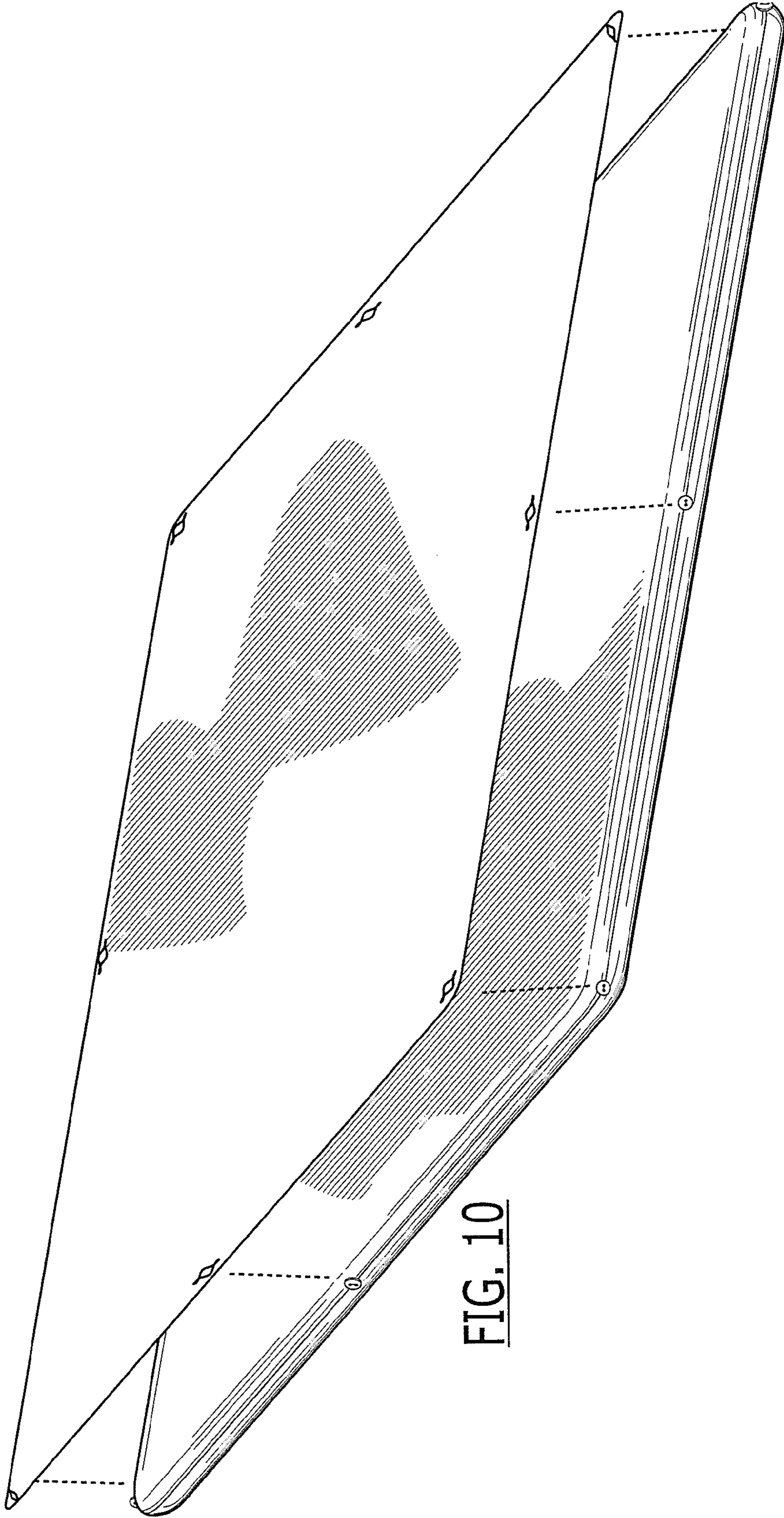


FIG. 10