



US00D637856S

(12) **United States Design Patent**
LaBarre et al.

(10) **Patent No.:** **US D637,856 S**

(45) **Date of Patent:** **** May 17, 2011**

(54) **HANDLE**

(75) Inventors: **Leo LaBarre**, Woonsocket, RI (US);
Michael P. Hanley, Smithfield, RI (US)

(73) Assignee: **Kenney Manufacturing Company**,
Warwick, RI (US)

(**) Term: **14 Years**

(21) Appl. No.: **29/363,069**

(22) Filed: **Jun. 4, 2010**

(51) **LOC (9) Cl.** **06-10**

(52) **U.S. Cl.** **D6/581**

(58) **Field of Classification Search** D6/580-594,
D6/396; 24/115 R, 115 H, 115 K; 160/168.1 V,
160/170, 178.1 R, 178.2, 322, 334, 168.1
See application file for complete search history.

(56) **References Cited**

U.S. PATENT DOCUMENTS

D427,052 S *	6/2000	Nagato	D8/396
D440,104 S *	4/2001	Horsten	D6/581
D533,004 S *	12/2006	Dekker et al.	D6/581
D541,568 S *	5/2007	Metaxatos et al.	D6/581

* cited by examiner

Primary Examiner — Susan Bennett Hattan

Assistant Examiner — Barbara B Lohr

(74) *Attorney, Agent, or Firm* — Steven M. McHugh; Joshua Stockwell

(57) **CLAIM**
The ornamental design for a handle, as shown and described.

DESCRIPTION

FIG. 1 is a perspective view of a handle showing our new design. The broken lines in the drawings are for illustrative purposes only and form no part of the claimed design.

FIG. 2 is a left side view of the handle of FIG. 1. The broken lines in the drawings are for illustrative purposes only and form no part of the claimed design.

FIG. 3 is a front view of the handle of FIG. 1. The broken lines in the drawings are for illustrative purposes only and form no part of the claimed design.

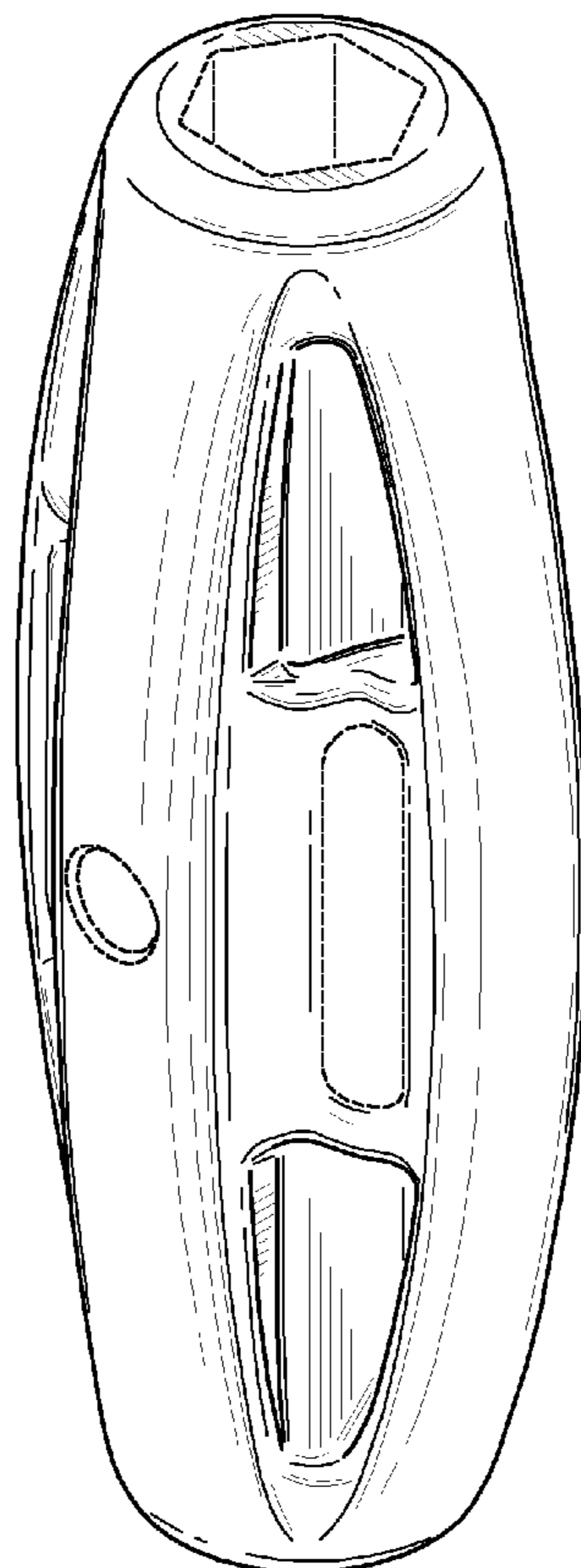
FIG. 4 is a right side view of the handle of FIG. 1. The broken lines in the drawings are for illustrative purposes only and form no part of the claimed design.

FIG. 5 is a rear view of the handle of FIG. 1. The broken lines in the drawings are for illustrative purposes only and form no part of the claimed design.

FIG. 6 is a top view of the handle of FIG. 1. The broken lines in the drawings are for illustrative purposes only and form no part of the claimed design; and,

FIG. 7 is a bottom view of the handle of FIG. 1. The broken lines in the drawings are for illustrative purposes only and form no part of the claimed design.

1 Claim, 6 Drawing Sheets



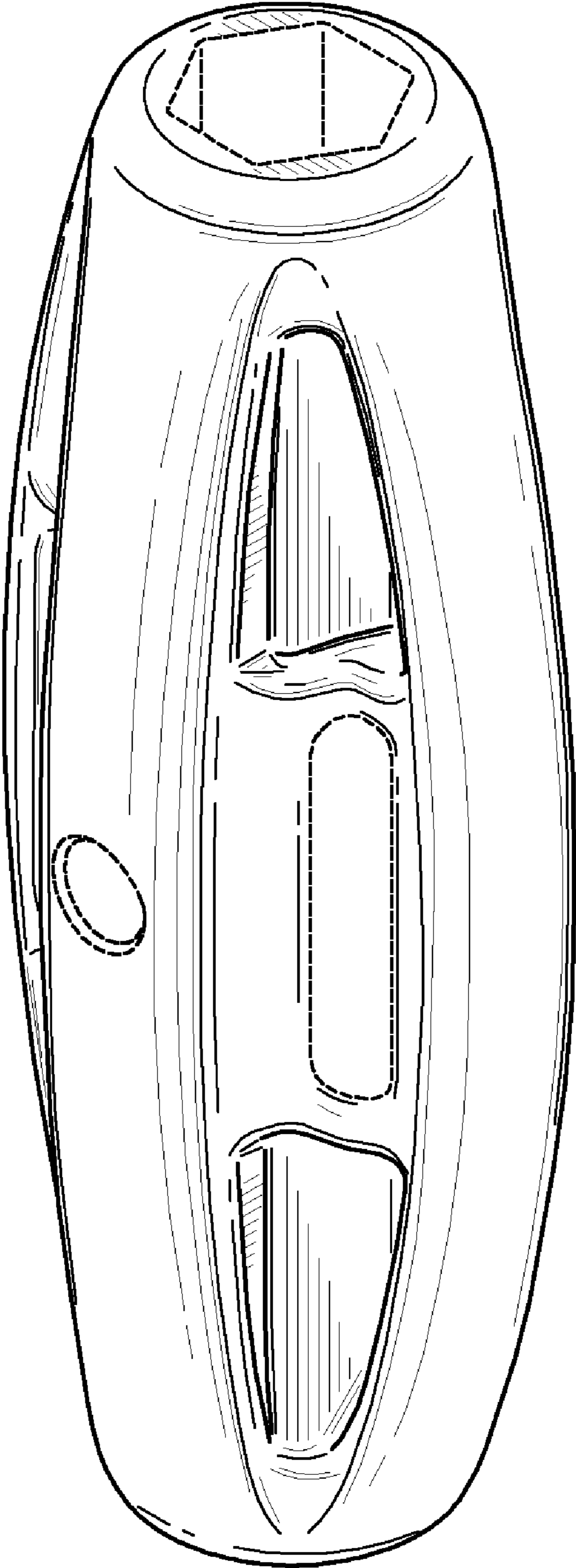


FIG. 1

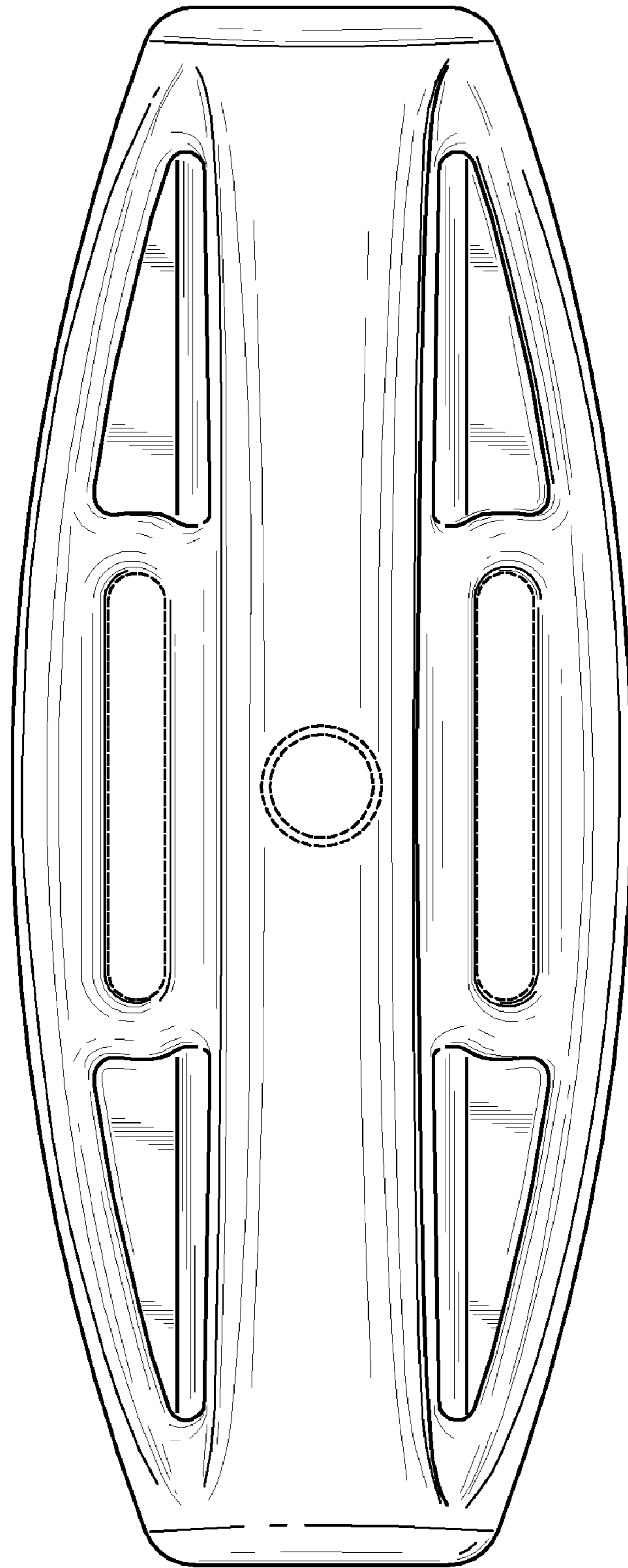


FIG. 2

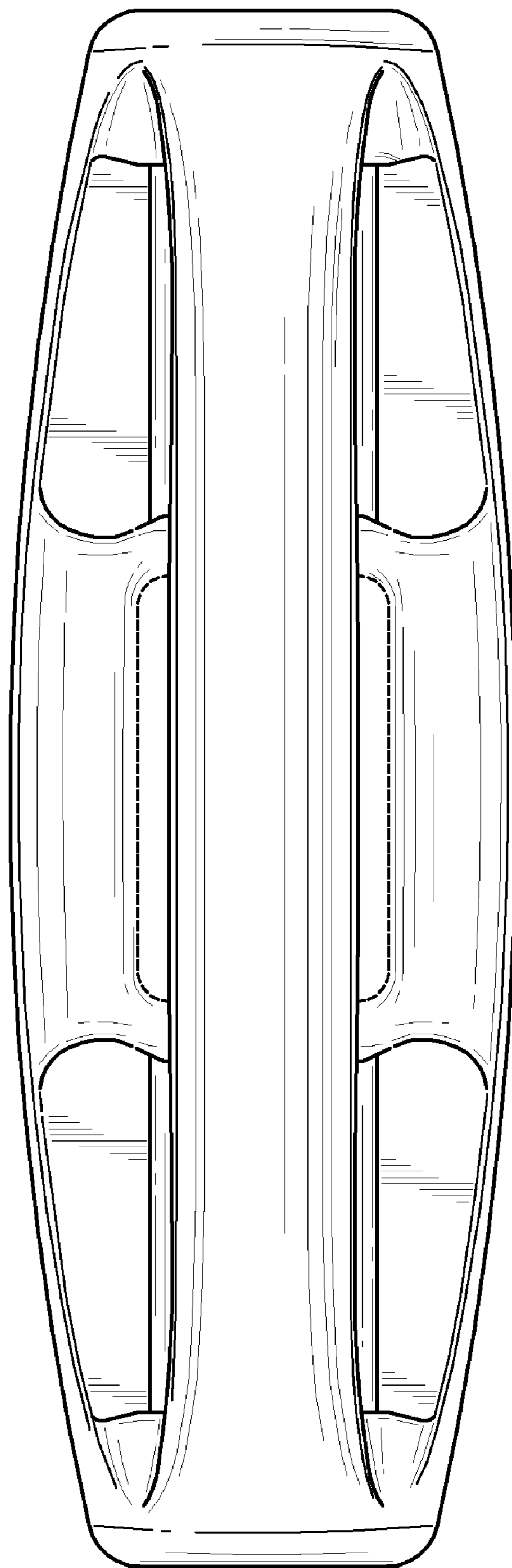


FIG. 3

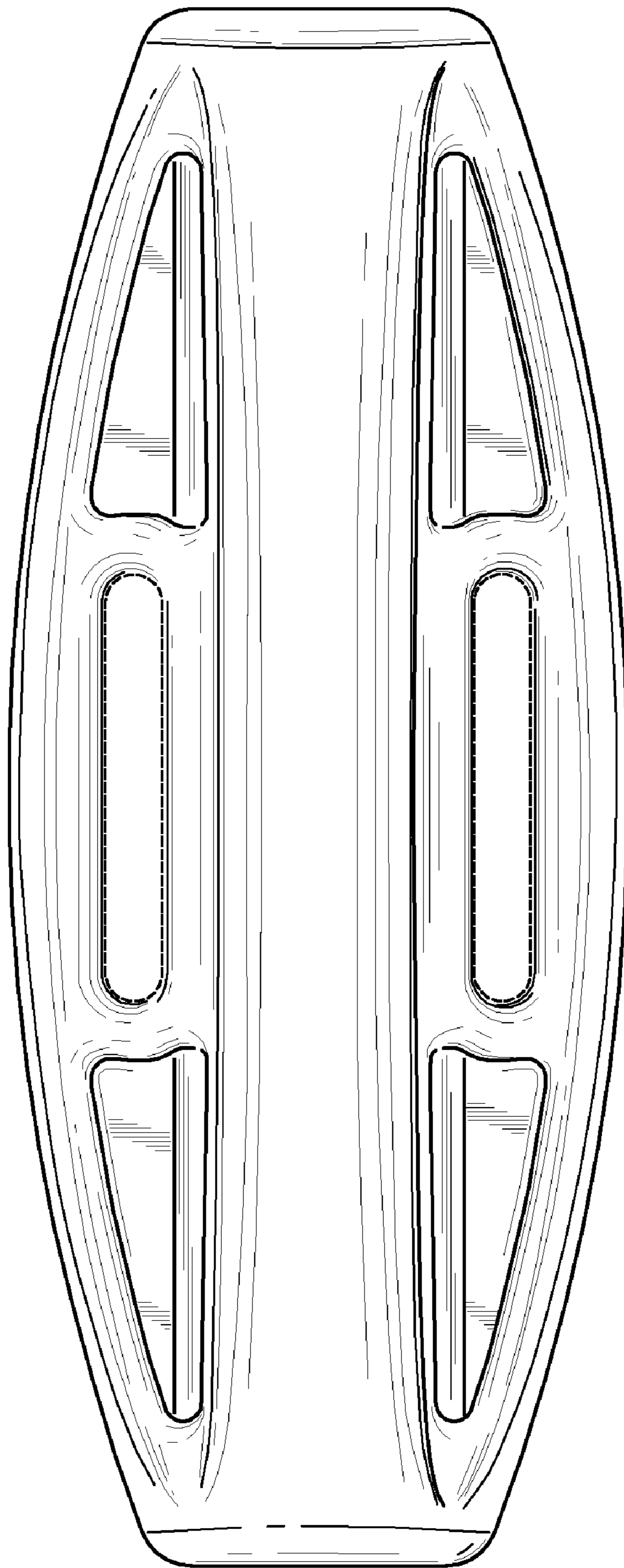


FIG. 4

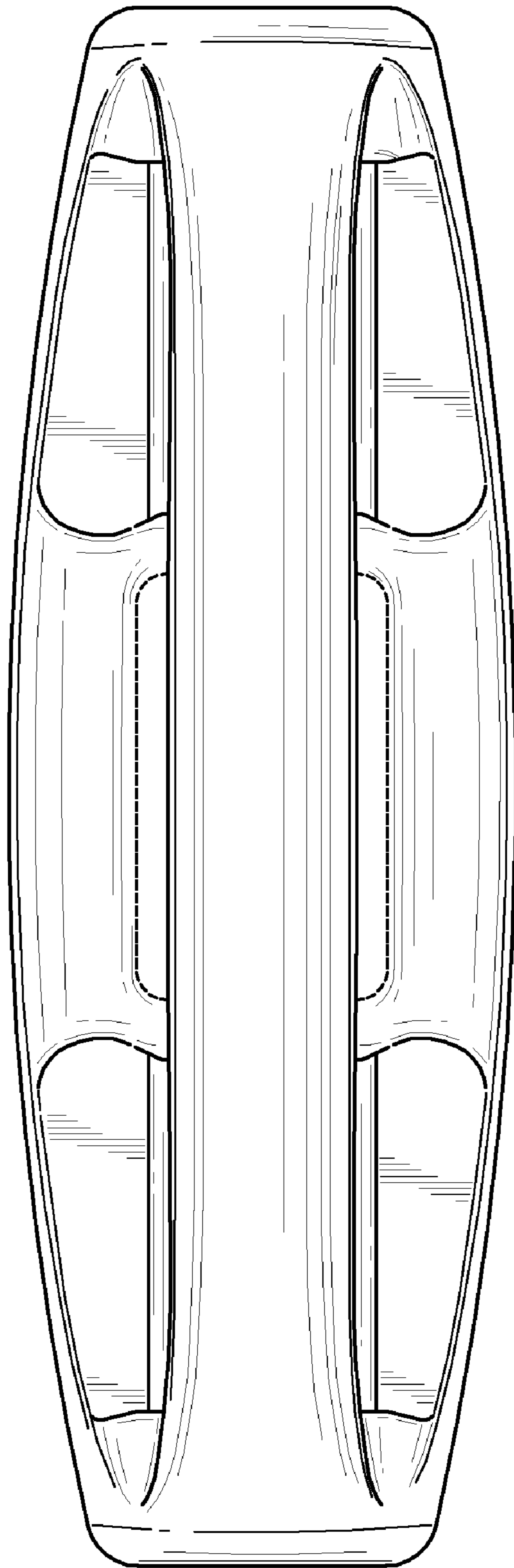


FIG. 5

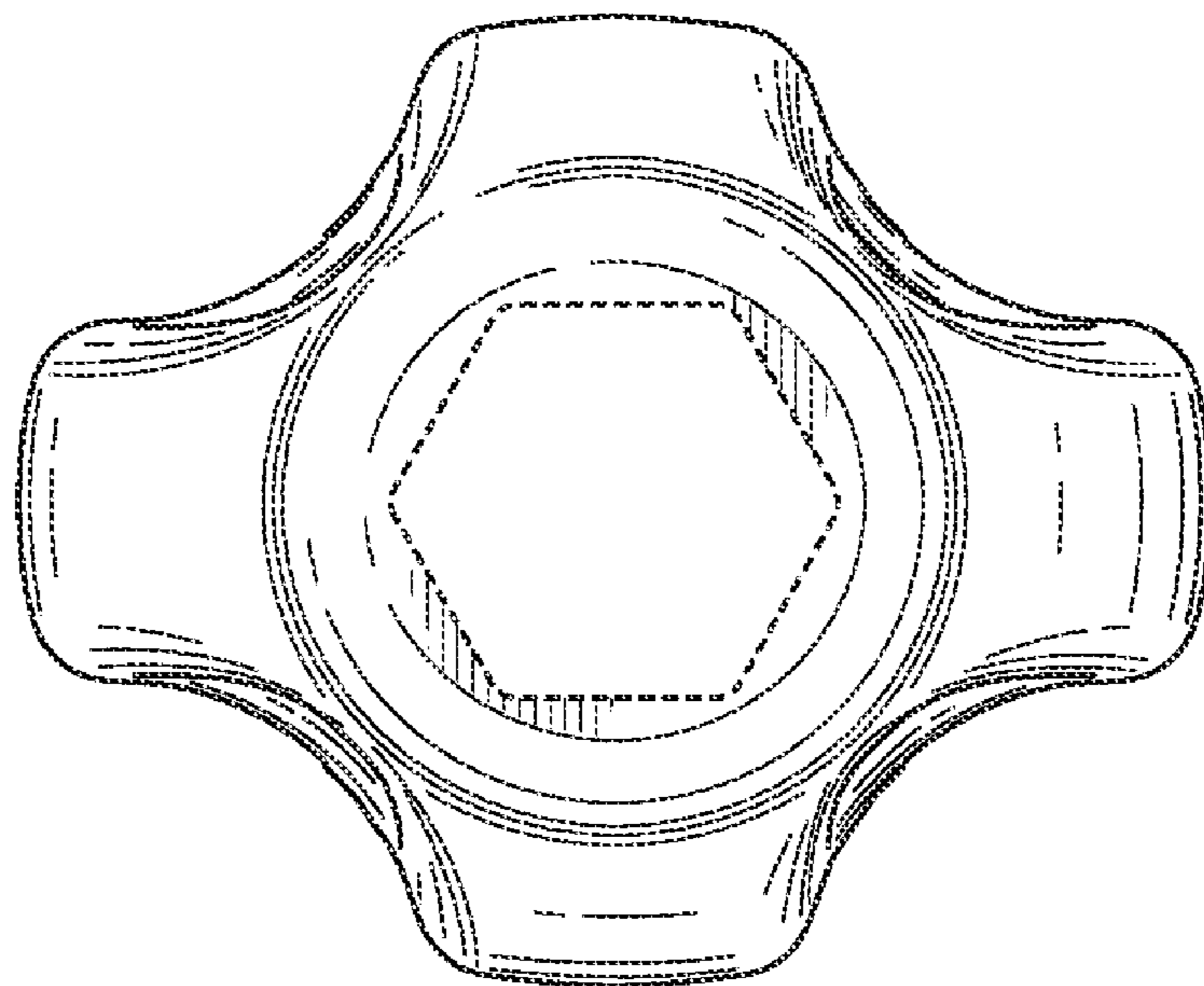


FIG. 6

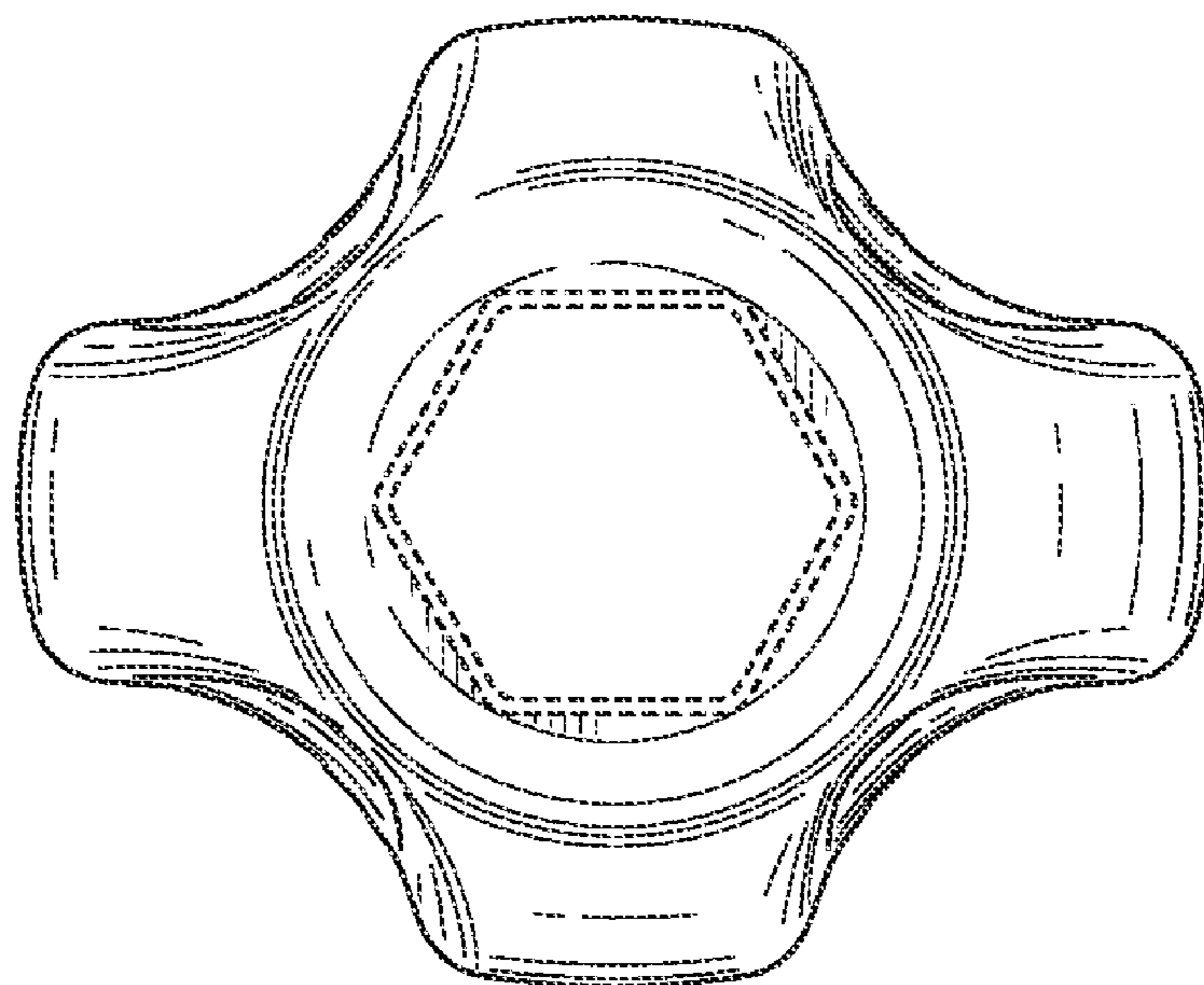


FIG. 7