



US00D637854S

(12) **United States Design Patent**
DeSanto

(10) **Patent No.:** **US D637,854 S**

(45) **Date of Patent:** **** May 17, 2011**

(54) **CLIP**

(75) Inventor: **Vincent J. DeSanto**, Lincoln, RI (US)

(73) Assignee: **Kenney Manufacturing Company**,
Warwick, RI (US)

(**) Term: **14 Years**

(21) Appl. No.: **29/362,812**

(22) Filed: **Jun. 1, 2010**

(51) **LOC (9) Cl.** **06-10**

(52) **U.S. Cl.** **D6/580**

(58) **Field of Classification Search** D6/579,
D6/580, 581; 52/236.1, 236.2; D8/356;
160/166.1, 176.1 R; D14/480.7

See application file for complete search history.

(56) **References Cited**

U.S. PATENT DOCUMENTS

D541,567 S * 5/2007 Spence D6/580
D605,447 S * 12/2009 Chou D6/580
D630,497 S * 1/2011 Allina et al. D8/356

D631,058 S * 1/2011 Chin et al. D14/480.7
* cited by examiner

Primary Examiner — Susan Bennett Hattan

Assistant Examiner — Barbara B Lohr

(74) *Attorney, Agent, or Firm* — Joshua Stockwell; Steven
McHugh

(57) **CLAIM**

The ornamental design for a clip, as shown and described.

DESCRIPTION

FIG. 1 is a perspective view of a clip showing my new design, the teeth shown in broken lines forms no part of the present invention;

FIG. 2 is a left side view thereof;

FIG. 3 is a right side view thereof

FIG. 4 is a top view thereof;

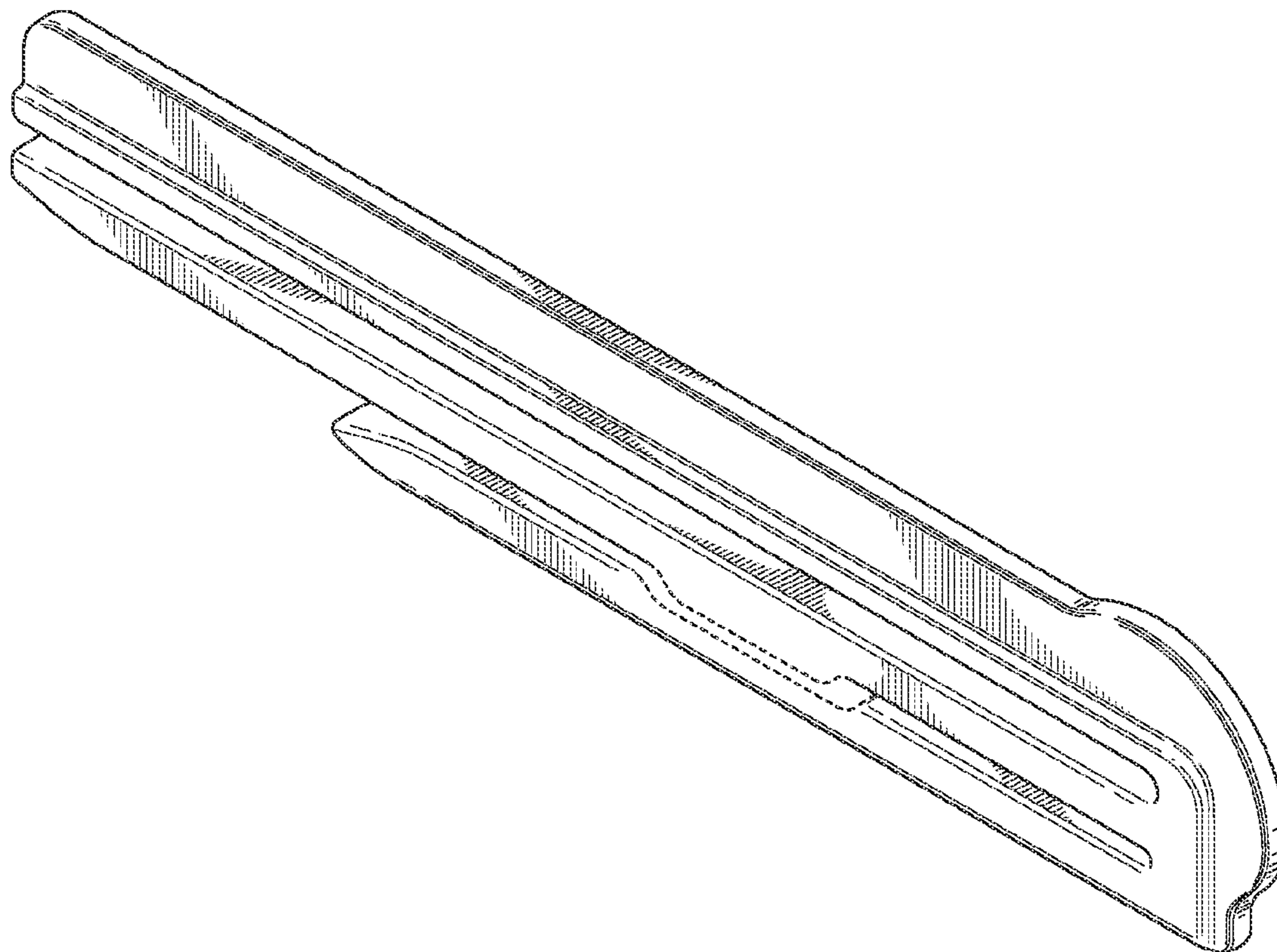
FIG. 5 is a bottom view thereof;

FIG. 6 is a front view thereof; and,

FIG. 7 is a rear view thereof.

The broken lines in the drawings represent unclaimed environmental matter.

1 Claim, 5 Drawing Sheets



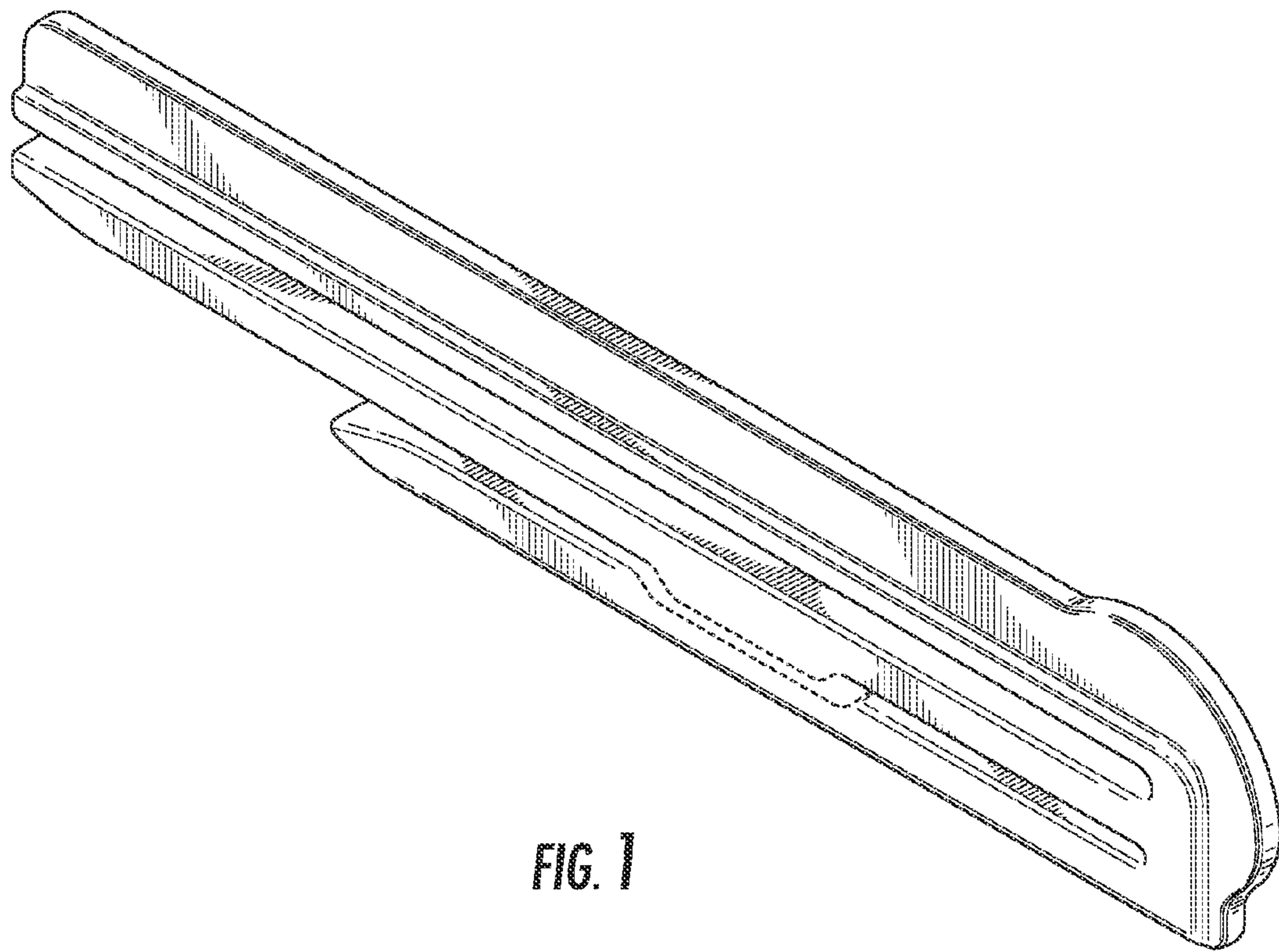


FIG. 1

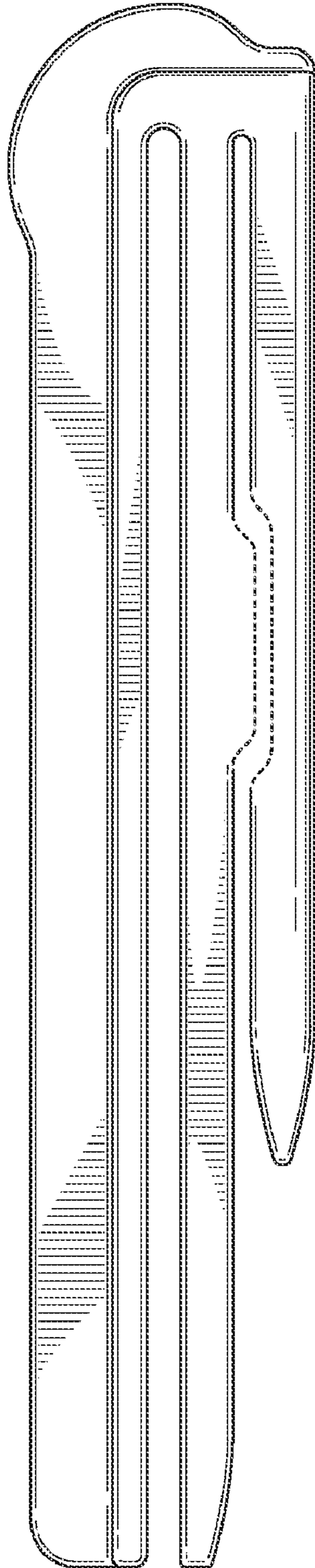


FIG. 2

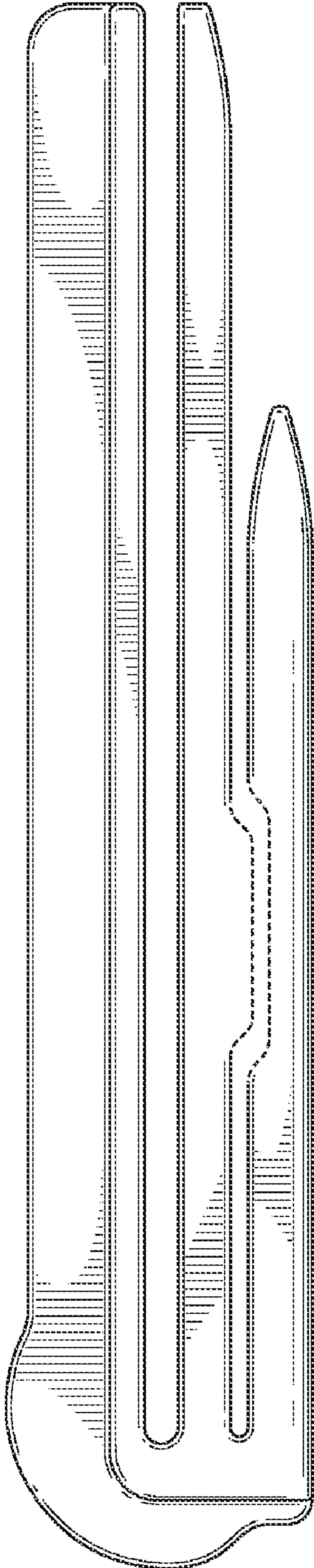


FIG. 3

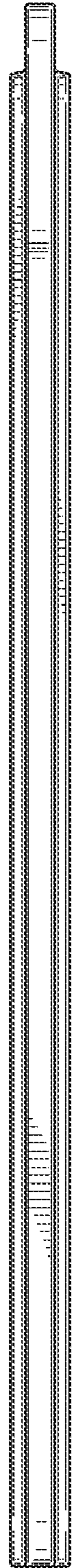


FIG. 4

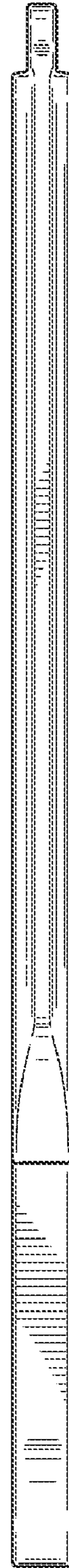


FIG. 5



FIG. 6

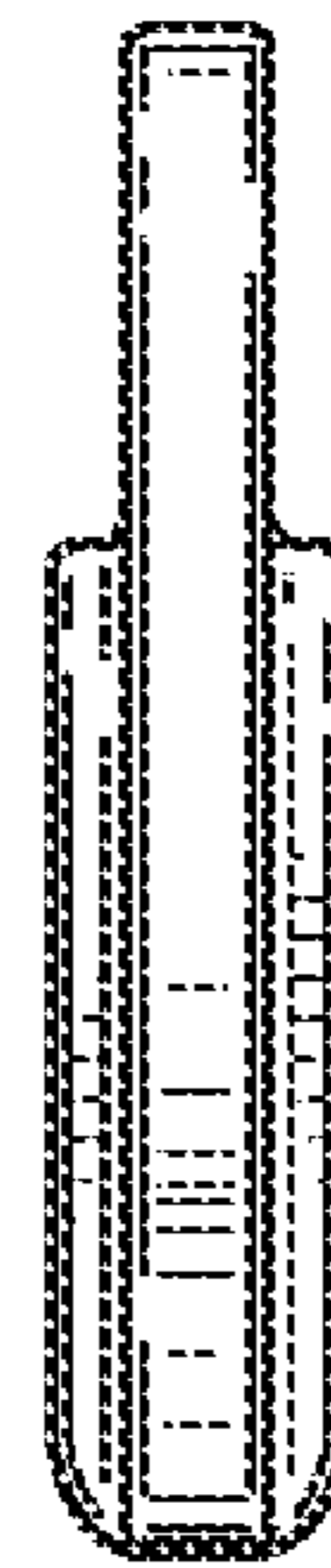


FIG. 7