



US00D637852S

(12) **United States Design Patent**
Black, Jr. et al.

(10) **Patent No.:** **US D637,852 S**

(45) **Date of Patent:** **** May 17, 2011**

(54) **RACK-MOUNTABLE DISPLAY**

(75) Inventors: **Bailey Jean Black, Jr.**, Florence, AL
(US); **Bryan Frederick Magee**, Killen,
AL (US)

(73) Assignee: **Edward S. Robbins, III**, Muscle Shoals,
AL (US)

(**) Term: **14 Years**

(21) Appl. No.: **29/364,832**

(22) Filed: **Jun. 29, 2010**

(51) **LOC (9) Cl.** **06-04**

(52) **U.S. Cl.** **D6/572**

(58) **Field of Classification Search** D3/304,
D3/306; 206/202, 513, 557; 211/13.1, 41.3,
211/41.4, 86.01, 88.01, 134, 126.1, 181.1;
248/302; 220/485, 488; D6/512-514, 524-525,
D6/566, 552, 553, 572

See application file for complete search history.

(56) **References Cited**

U.S. PATENT DOCUMENTS

5,303,830	A	4/1994	Metcalf	211/57.1
6,308,842	B1	10/2001	Robbins, III et al.	211/113
D470,394	S *	2/2003	Harwanko	D6/566
D498,631	S *	11/2004	Anderson et al.	D6/566
6,942,112	B2	9/2005	Robbins, III	211/113
D522,286	S	6/2006	Edwards	D6/518
D533,745	S *	12/2006	Rodrigue	D6/566
D534,373	S	1/2007	Robbins, III	D6/457

D536,906	S	2/2007	Robbins, III	D6/467
D547,955	S *	8/2007	Johnson et al.	D6/566
D575,973	S *	9/2008	Goodman et al.	D6/572
D616,232	S *	5/2010	Guindi	D6/566

* cited by examiner

Primary Examiner — Brian N Vinson

(74) *Attorney, Agent, or Firm* — Brinks Hofer Gilson & Lione

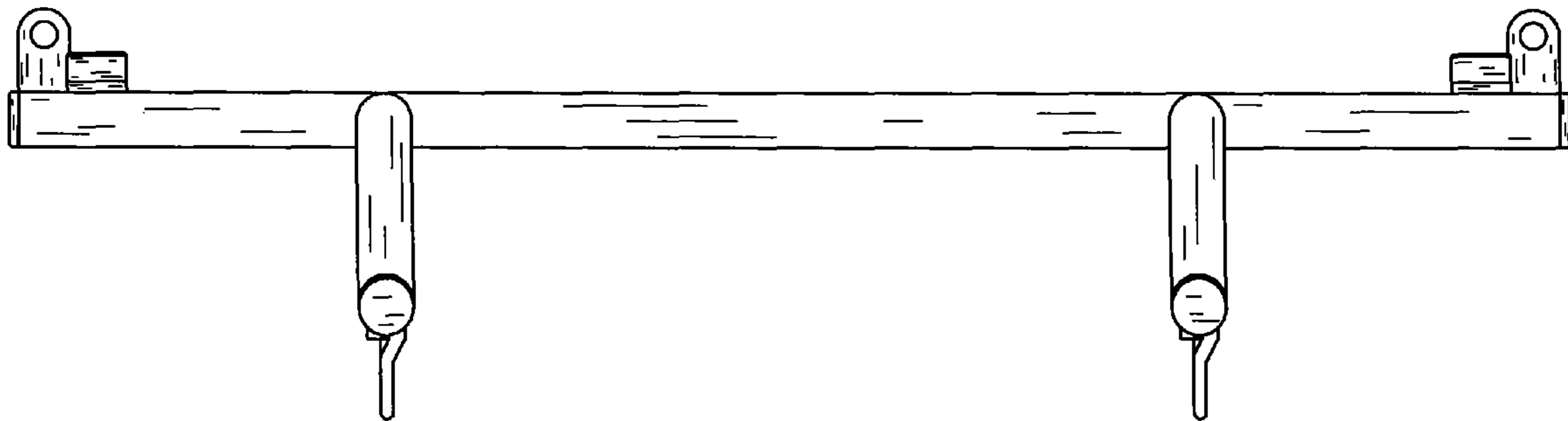
(57) **CLAIM**

The ornamental design for a rack-mountable display, as shown and described.

DESCRIPTION

FIG. 1 is a front elevational view of a first embodiment of a rack-mountable display showing our new design; FIG. 2 is a rear elevational view thereof; FIG. 3 is a top plan view thereof; FIG. 4 is a bottom plan view thereof; FIG. 5 is a right side elevational view thereof; FIG. 6 is a left side elevation view thereof; FIG. 7 is a top, front, and left side perspective view thereof; FIG. 8 is a front elevational view of a second embodiment of a rack-mountable display showing our new design; FIG. 9 is a rear elevational view thereof; FIG. 10 is a top plan view thereof; FIG. 11 is a bottom plan view thereof; FIG. 12 is a right side elevational view thereof; FIG. 13 is a left side elevation view thereof; and, FIG. 14 is an exploded top, front, and left side perspective view thereof.

1 Claim, 14 Drawing Sheets



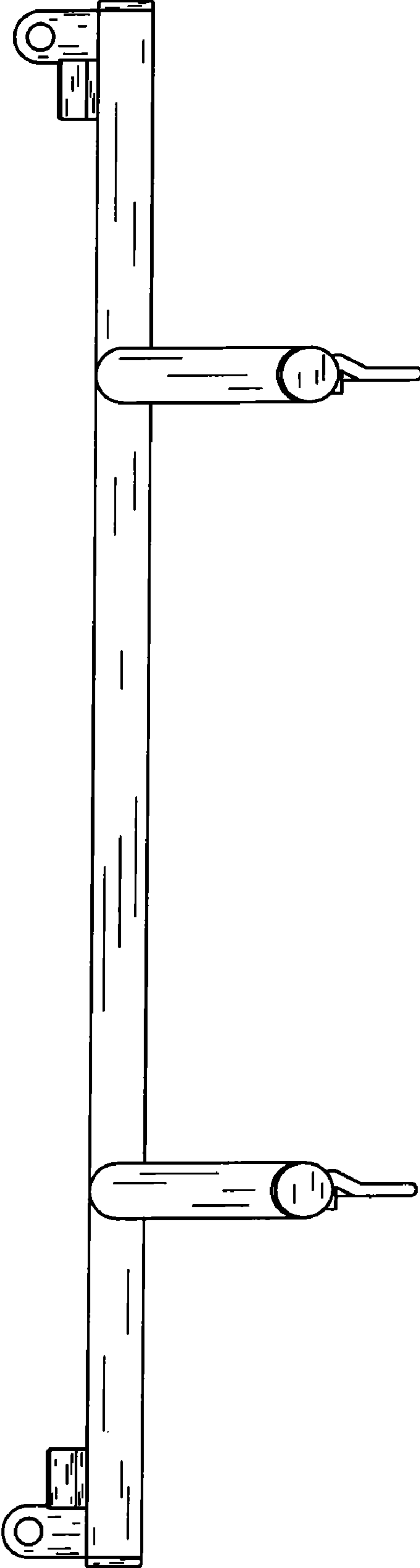


FIG. 1

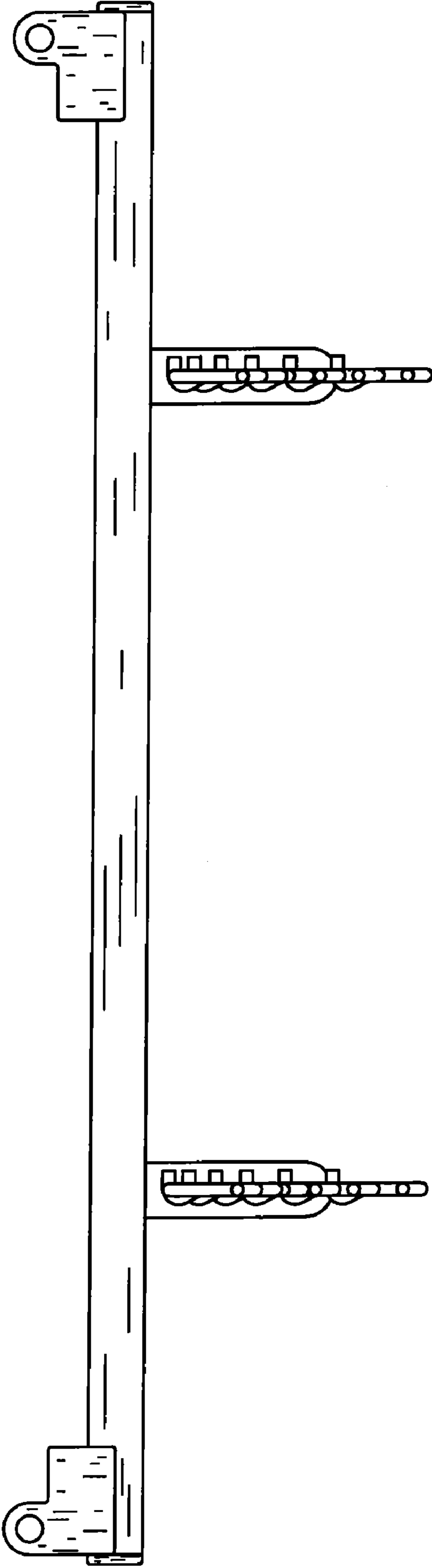


FIG. 2

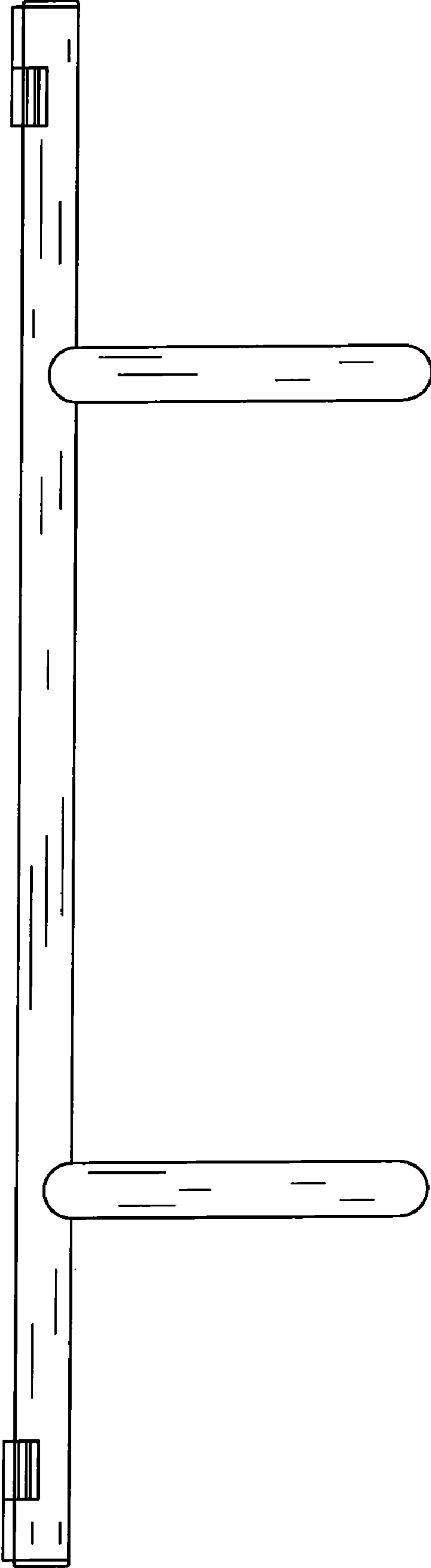


FIG. 3

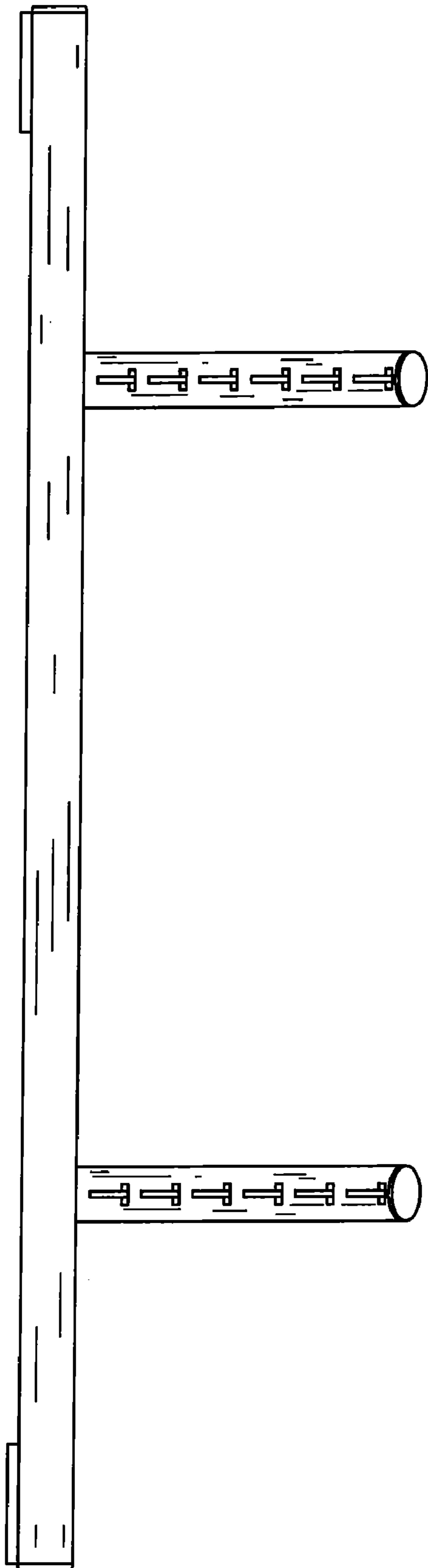


FIG. 4

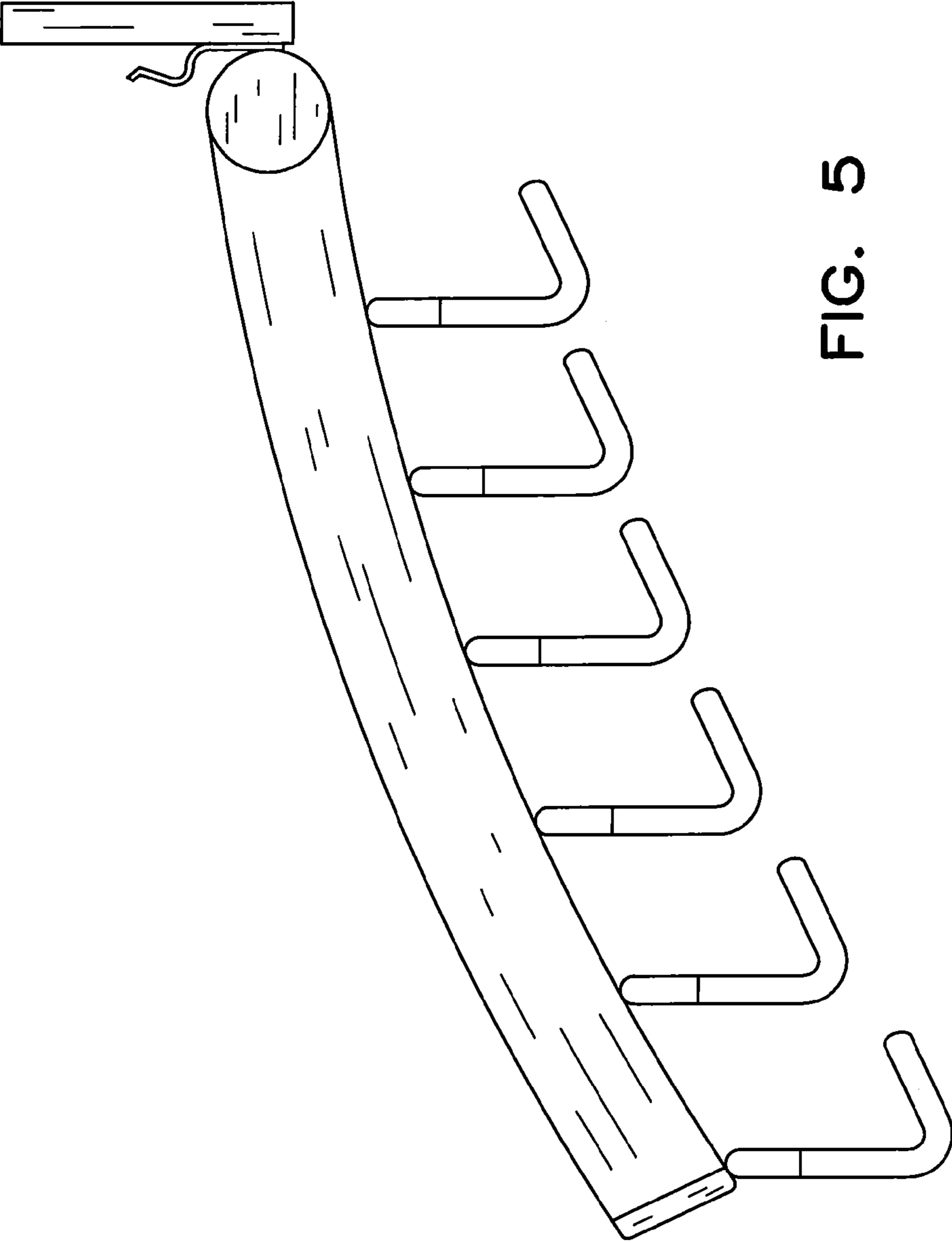


FIG. 5

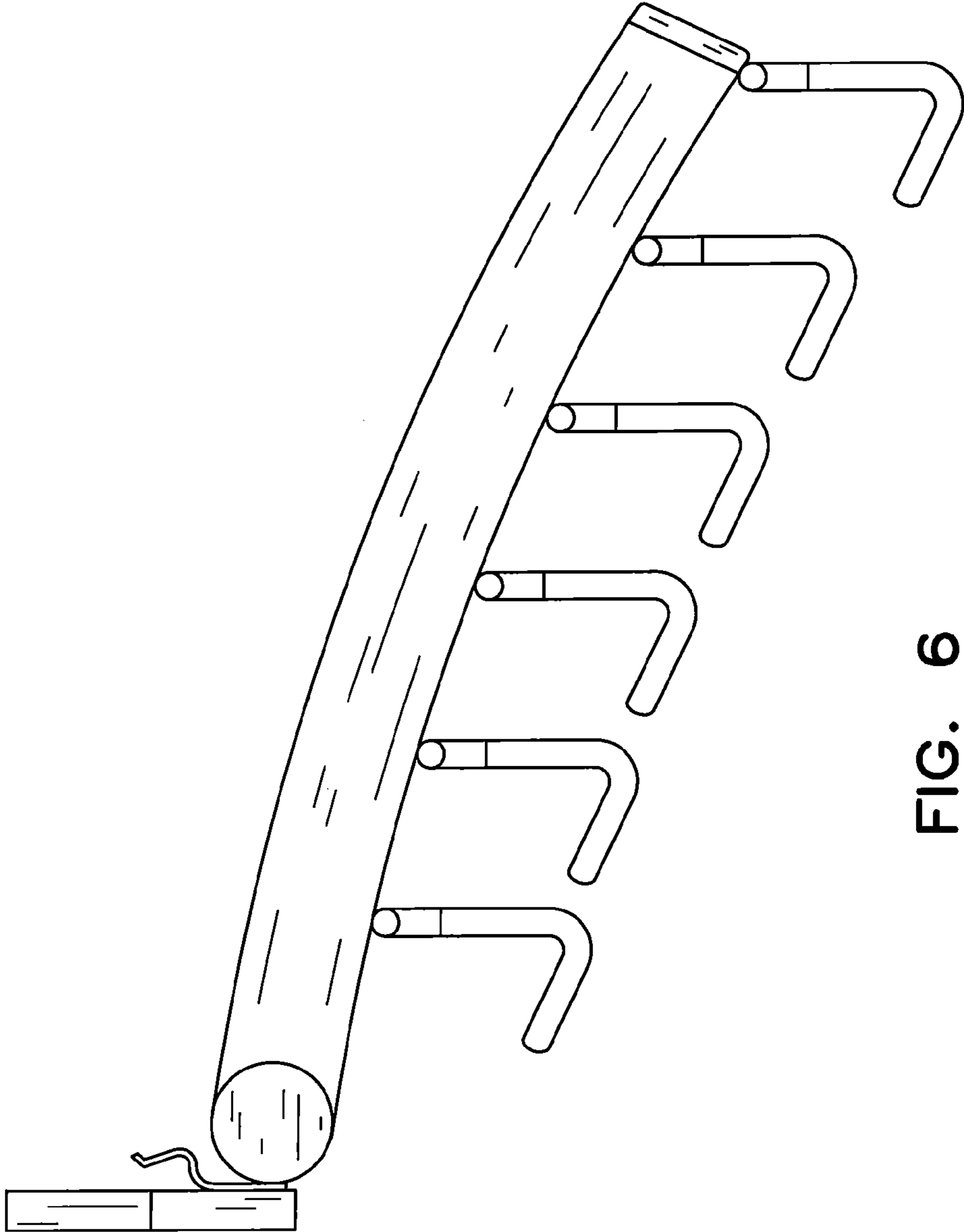


FIG. 6

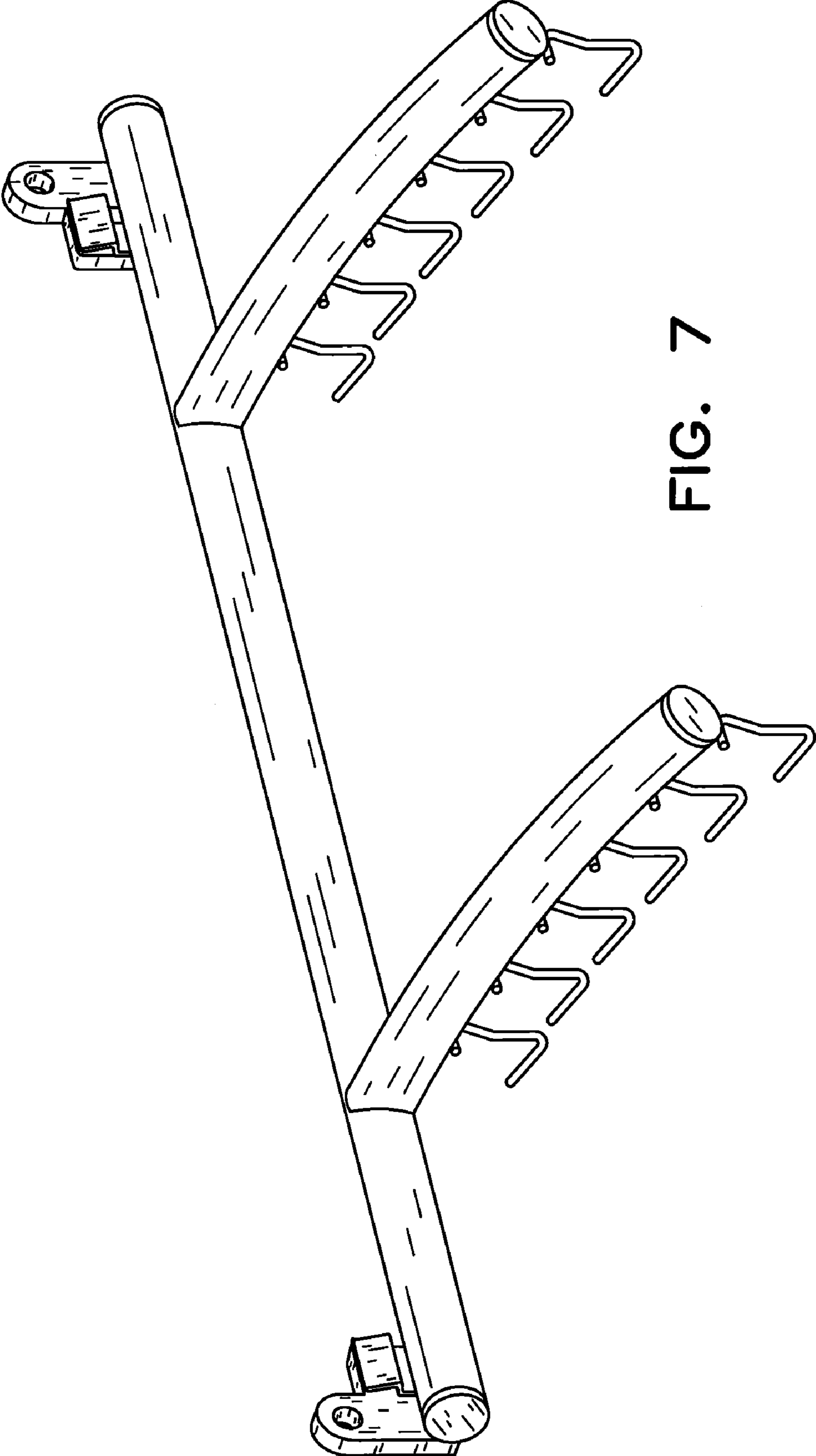


FIG. 7

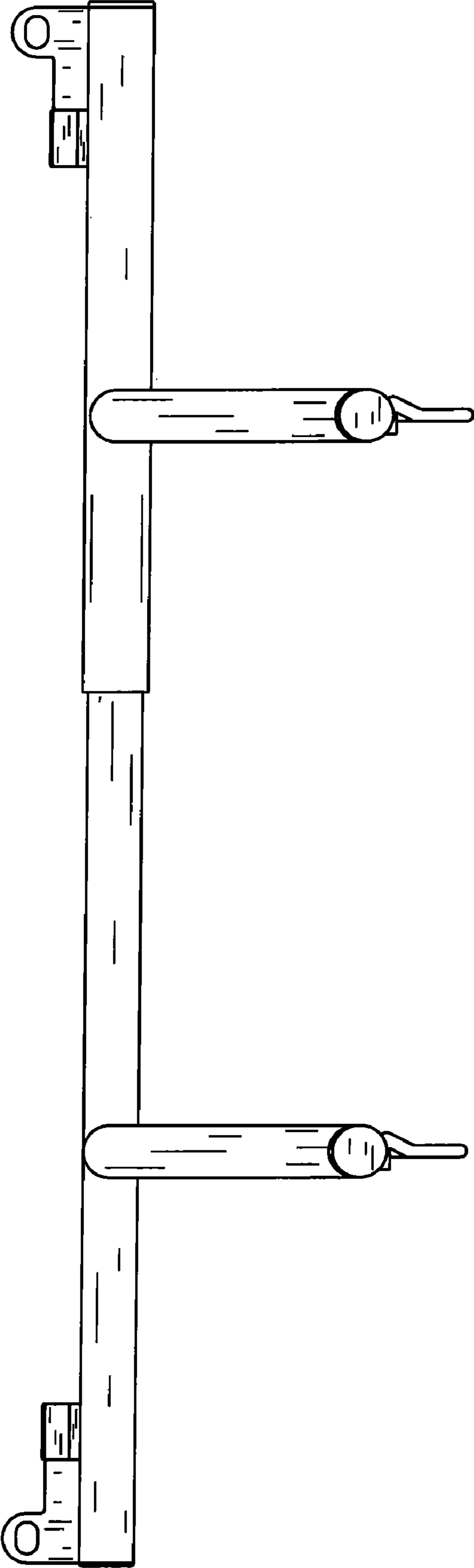


FIG. 8

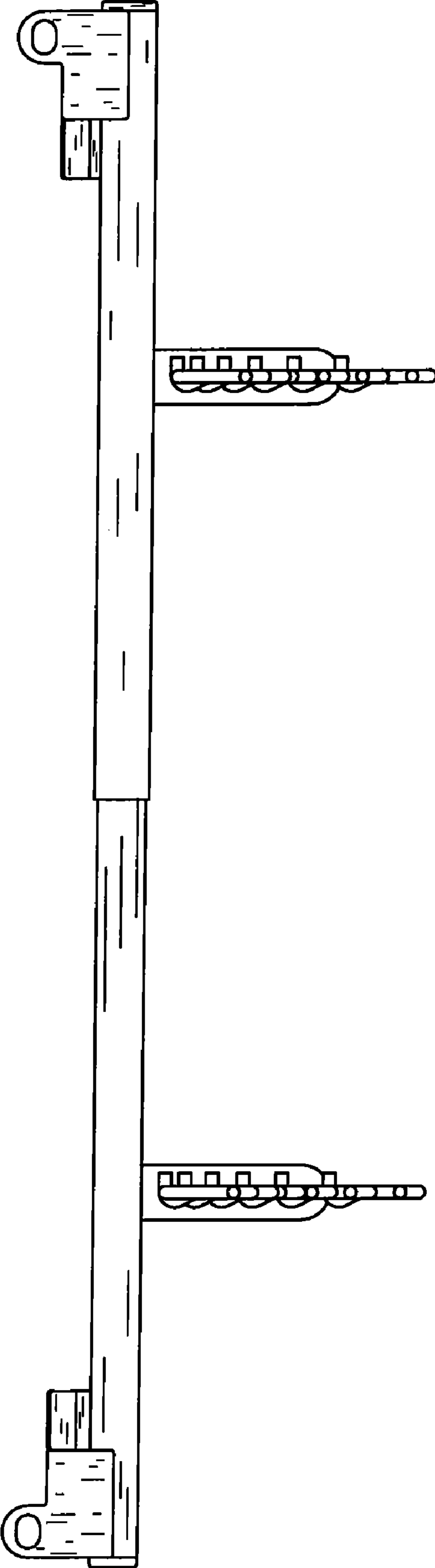


FIG. 9

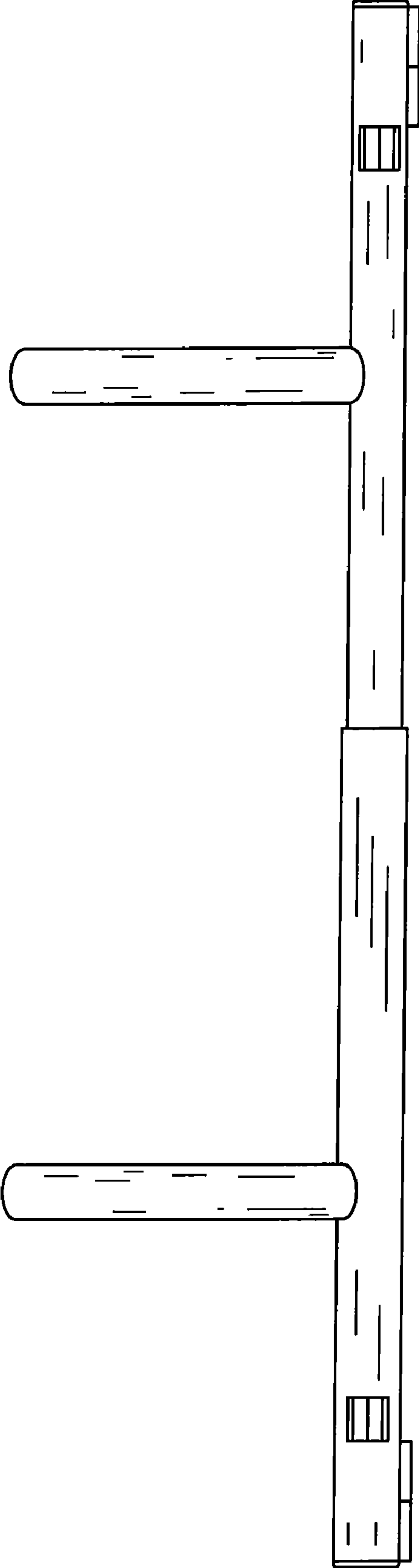


FIG. 10

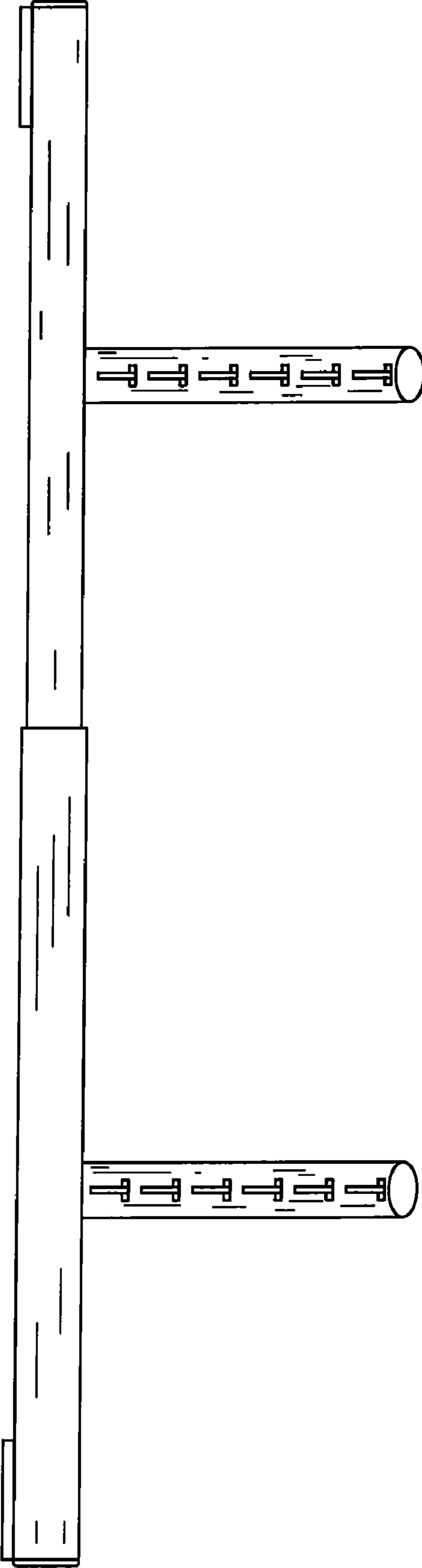


FIG. 11

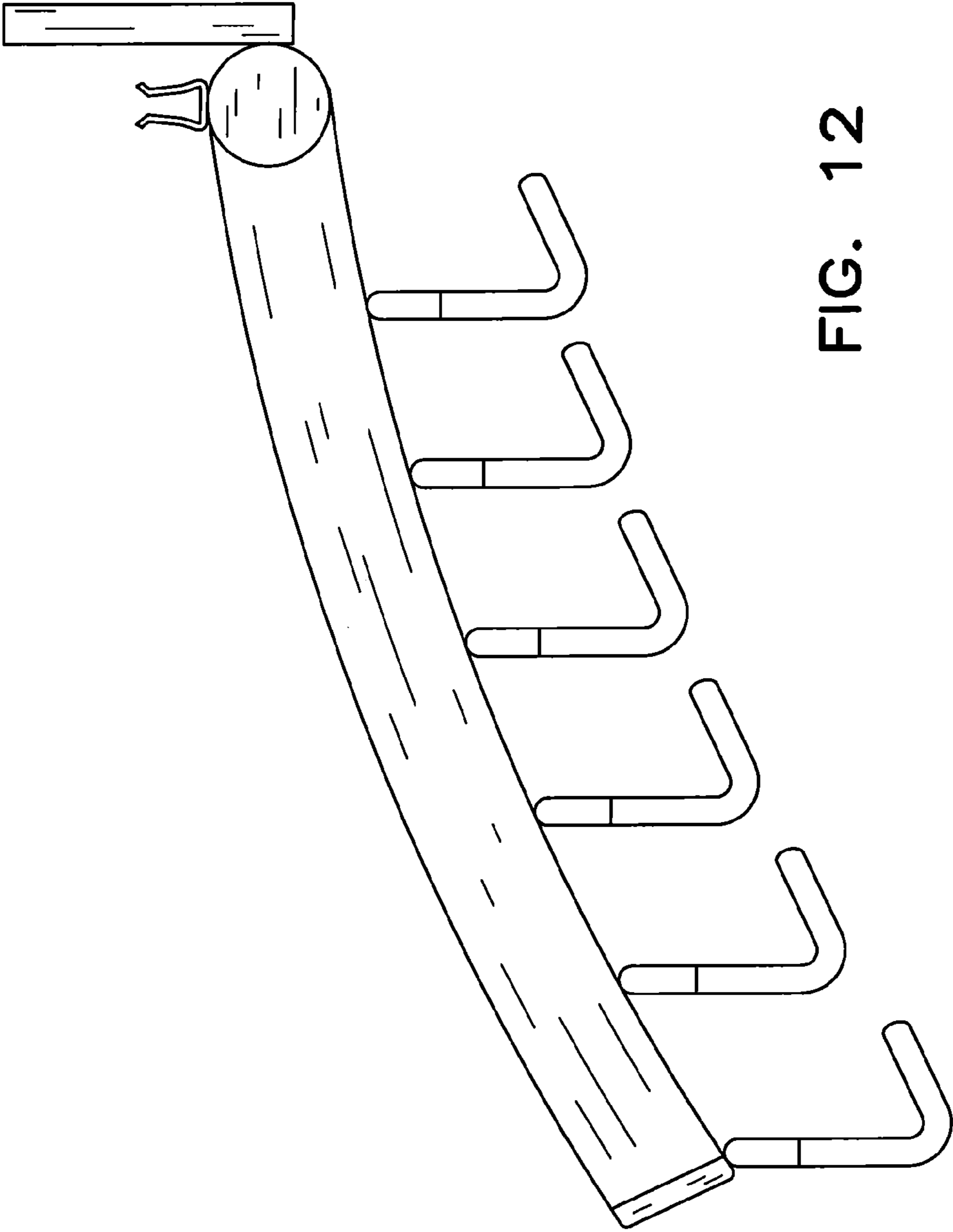


FIG. 12

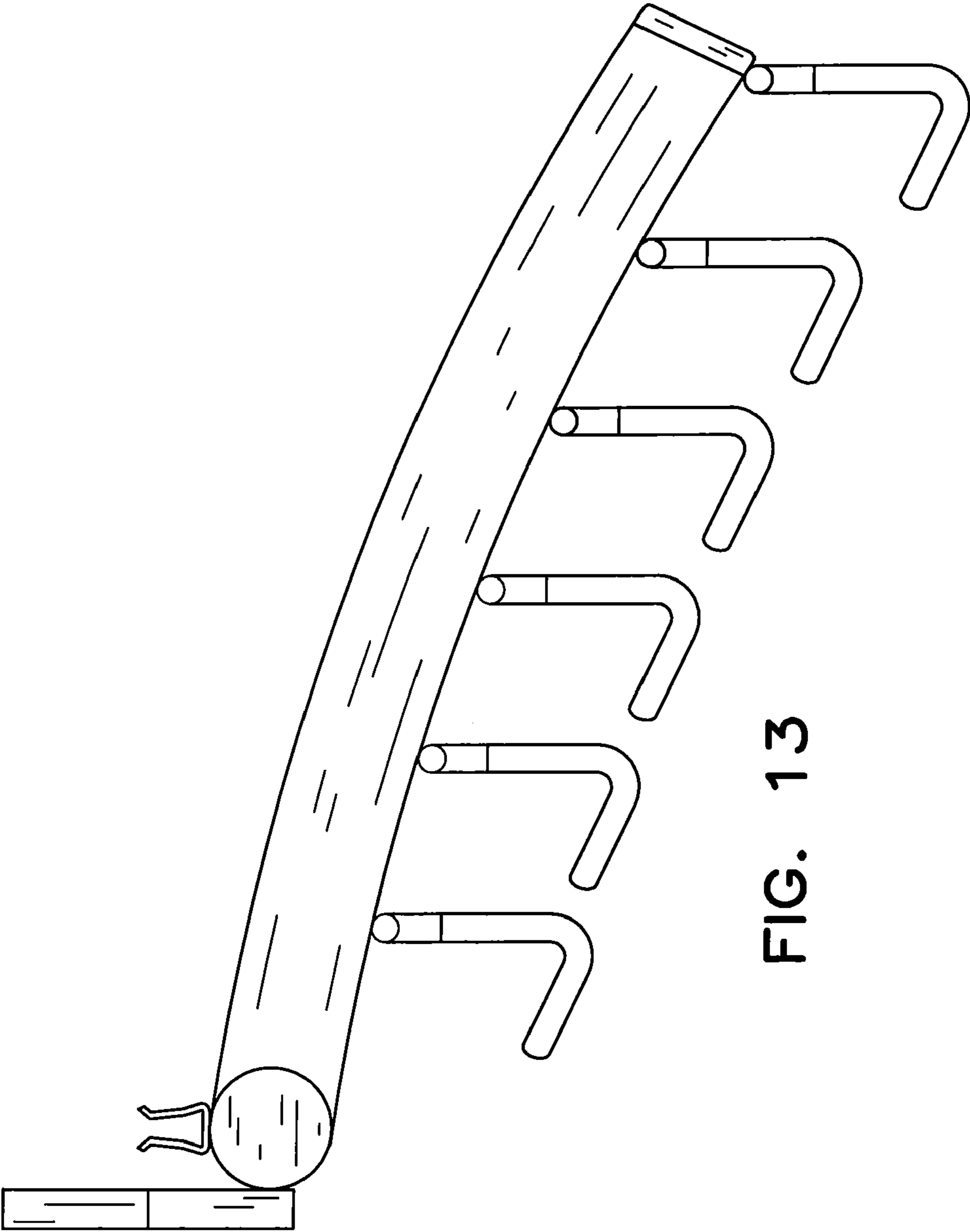


FIG. 13

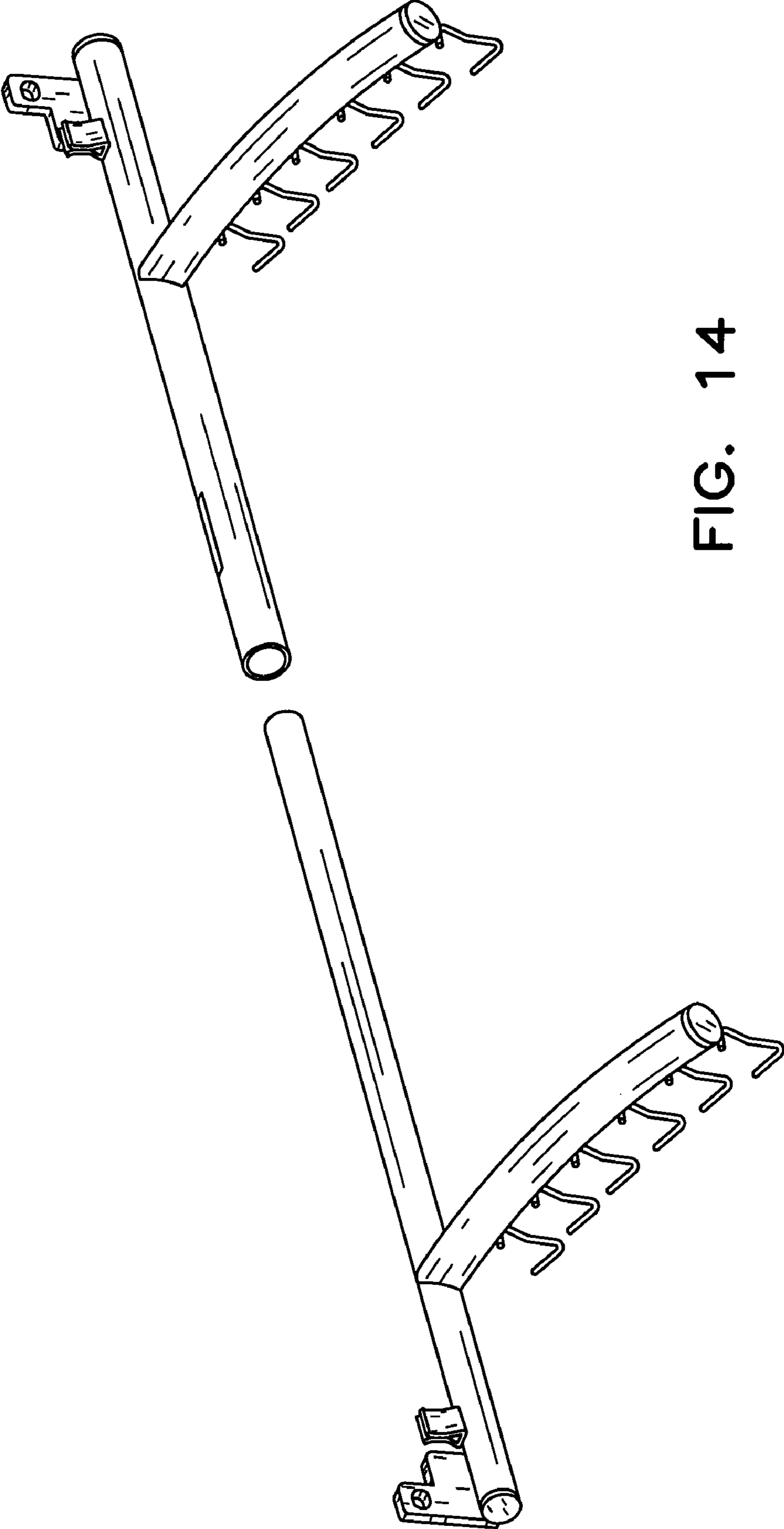


FIG. 14