



US00D637851S

(12) **United States Design Patent**
Hsieh

(10) **Patent No.:** **US D637,851 S**

(45) **Date of Patent:** **** May 17, 2011**

(54) **TOOL STORAGE DEVICE**

(75) Inventor: **San-Lung Hsieh**, Taichung (TW)

(73) Assignee: **San-Lung Hsieh**, Taichung (TW)

(**) Term: **14 Years**

(21) Appl. No.: **29/363,475**

(22) Filed: **Jun. 10, 2010**

(51) **LOC (9) Cl.** **06-04**

(52) **U.S. Cl.** **D6/567**

(58) **Field of Classification Search** D6/553,
D6/567, 574, 512, 524; 211/13.1, 60.1, 60.9,
211/69.1, 69.5, 70.1, 70.6, 71.01; 248/309.1,
248/309.2, 310, 314

See application file for complete search history.

(56) **References Cited**

U.S. PATENT DOCUMENTS

2,568,089	A	*	9/1951	Pendleton	211/69
D205,745	S	*	9/1966	Nannfeldt	D6/469
D294,668	S	*	3/1988	Handler et al.	D6/570
4,880,122	A	*	11/1989	Martindell	211/70.6
D323,245	S	*	1/1992	Hobson	D6/569
D354,188	S	*	1/1995	Koehler	D6/553

D442,814	S	*	5/2001	Sterling et al.	D6/553
D552,796	S	*	10/2007	Petrucelli	D6/567
D602,724	S	*	10/2009	Liu	D6/567

* cited by examiner

Primary Examiner — Brian N Vinson

(57) **CLAIM**

The ornamental design for a tool storage device, as shown and described.

DESCRIPTION

FIG. 1 is a perspective view of a tool storage device showing my new design;

FIG. 2 is a front side elevational view thereof;

FIG. 3 is a rear side elevational view thereof;

FIG. 4 is a left elevational view thereof;

FIG. 5 is a right elevational view thereof;

FIG. 6 is a top plan view thereof;

FIG. 7 is a bottom plan view thereof;

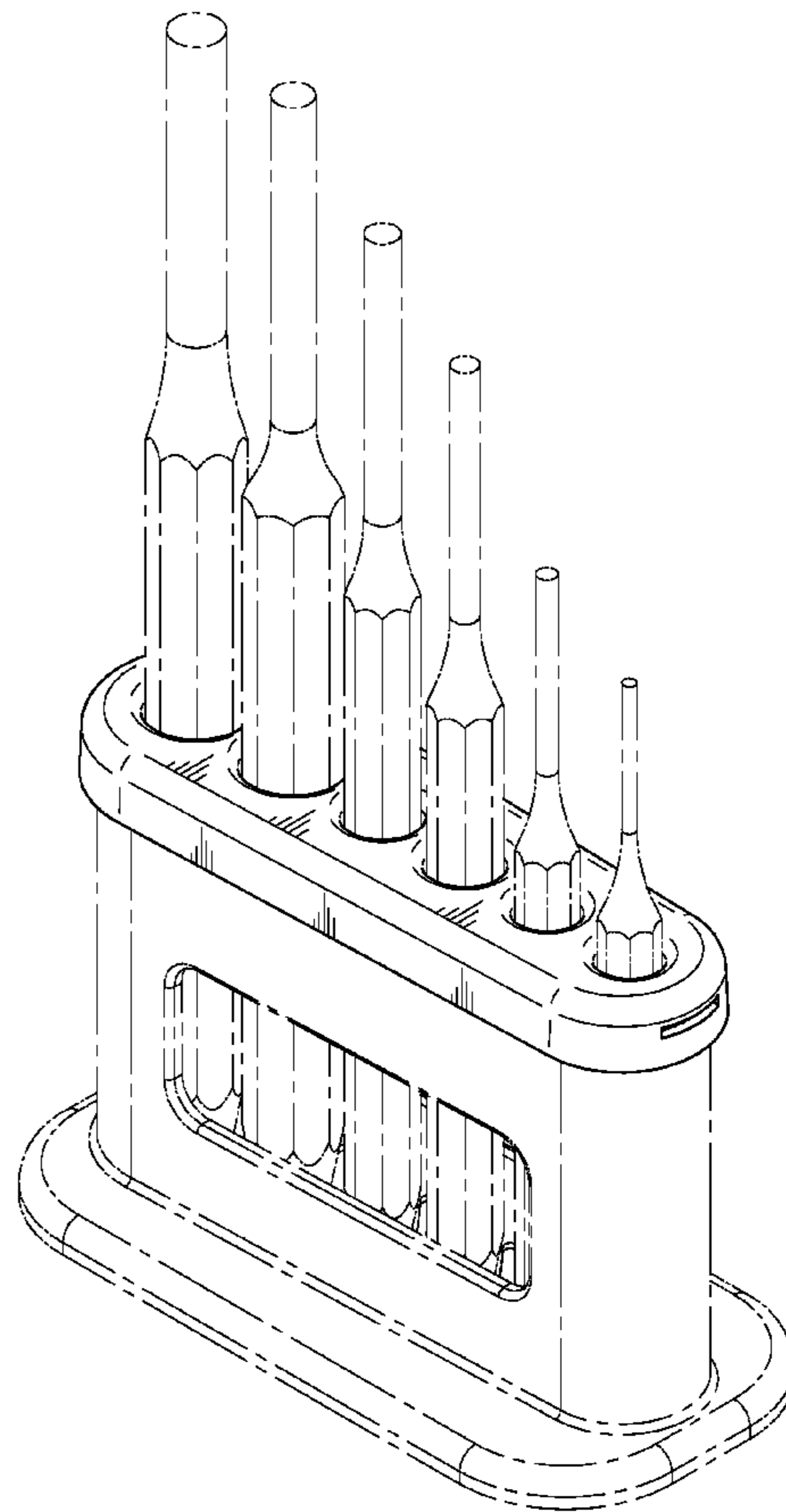
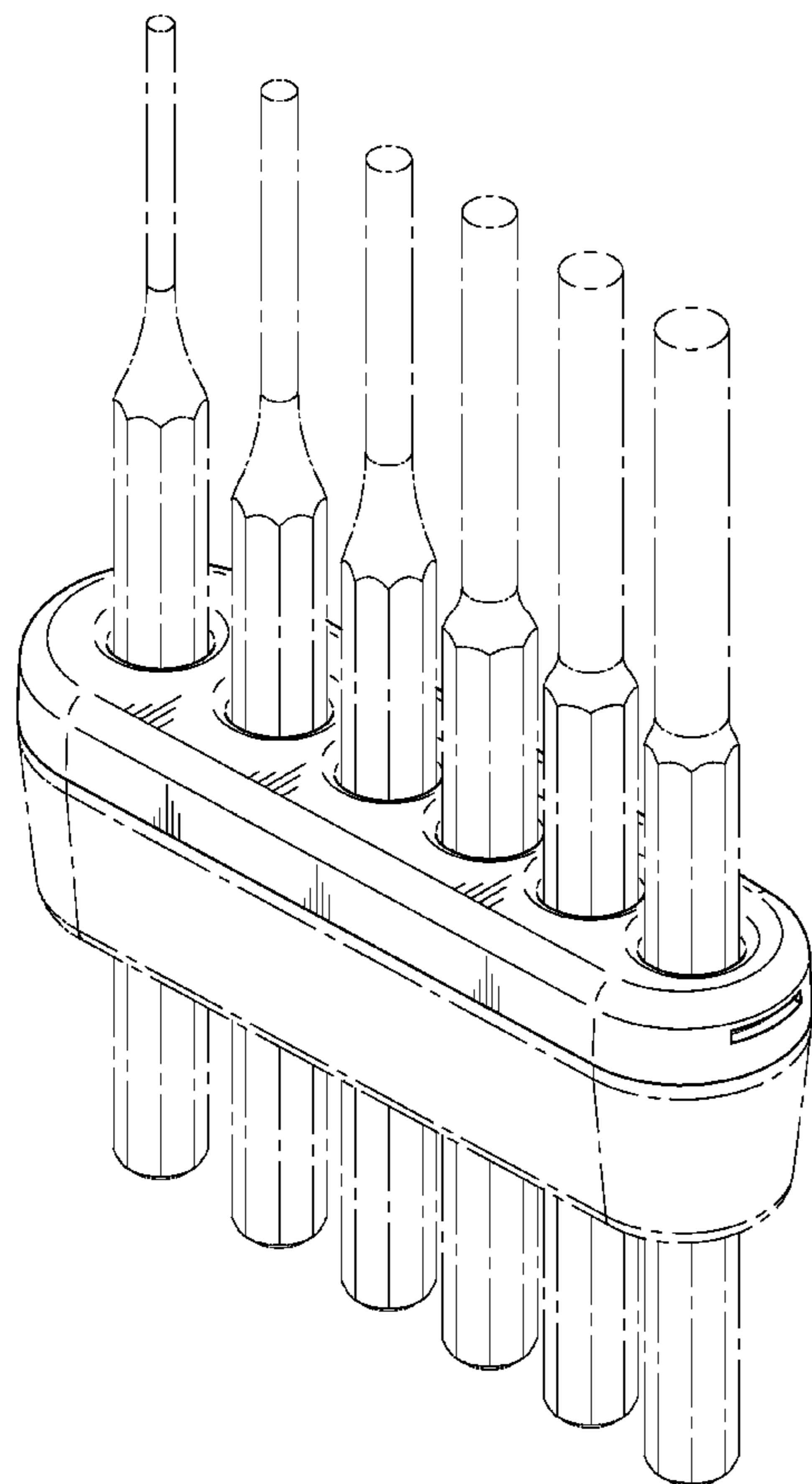
FIG. 8 is a sectional view taken along the line 8—8 of FIG. 6;

FIG. 9 is a perspective view showing the tool storage device in use thereof; and,

FIG. 10 is another perspective view showing the tool storage device in use thereof.

The broken lines in the drawing are for illustrative purposes only and form no part of the claimed design.

1 Claim, 10 Drawing Sheets



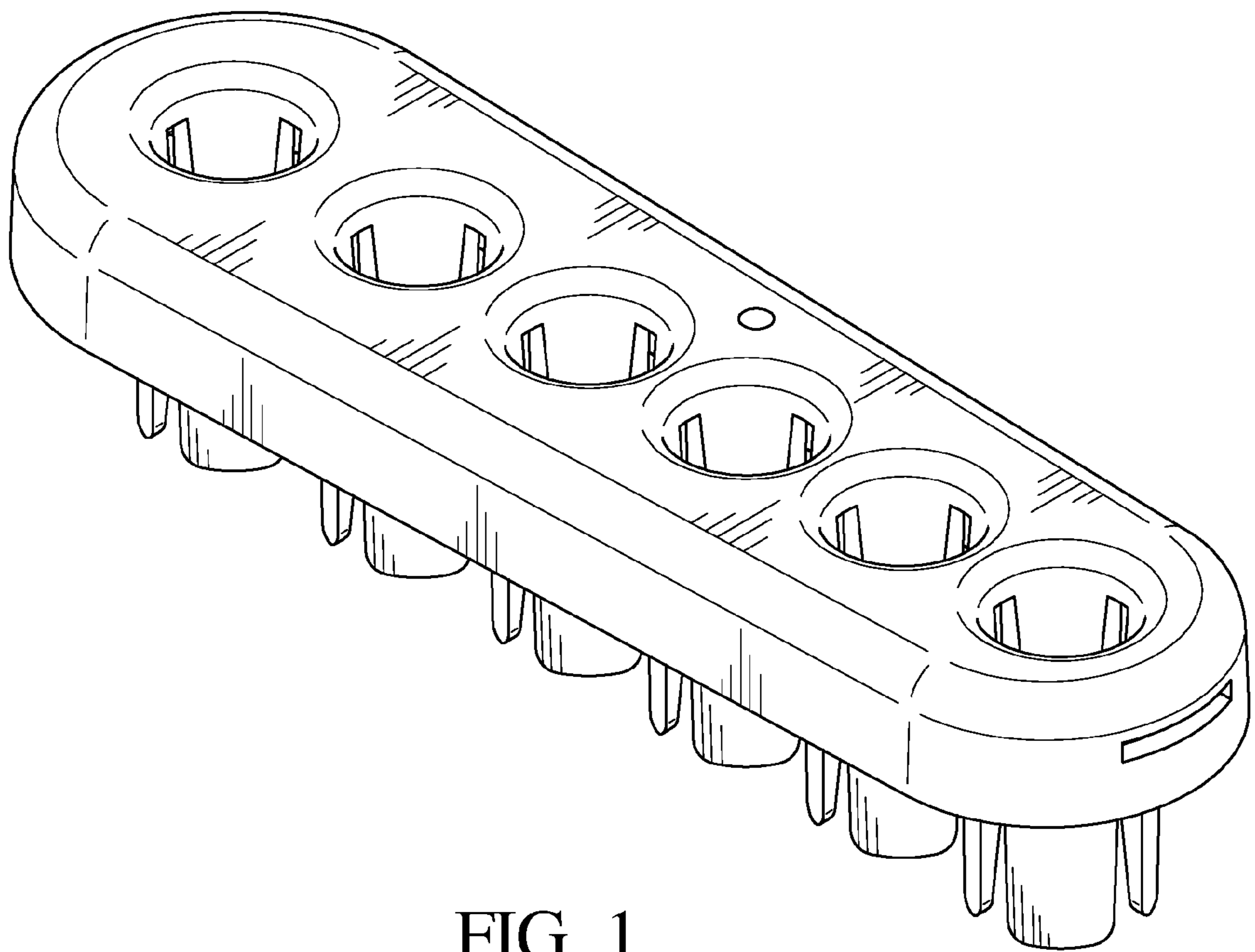


FIG. 1

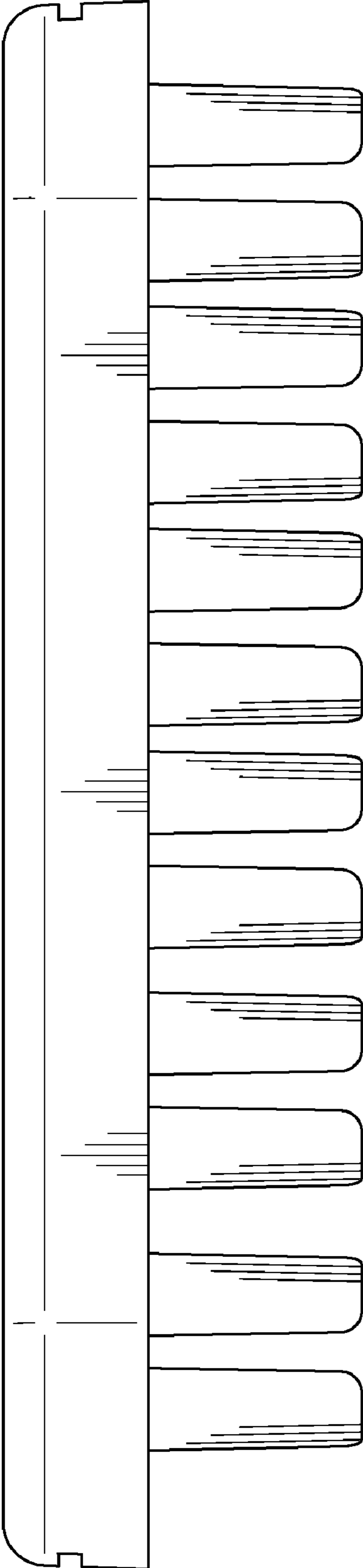


FIG. 2

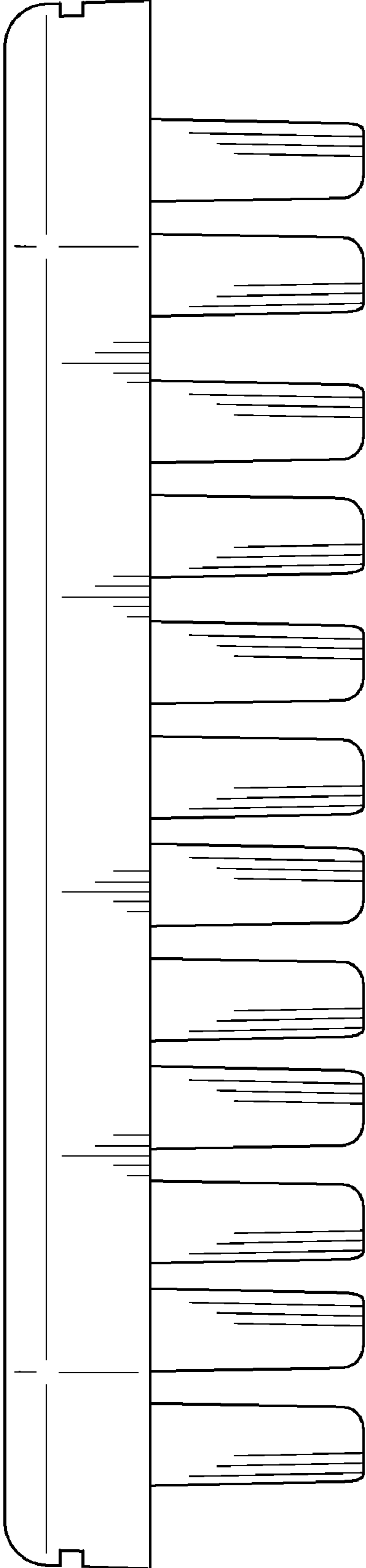


FIG. 3

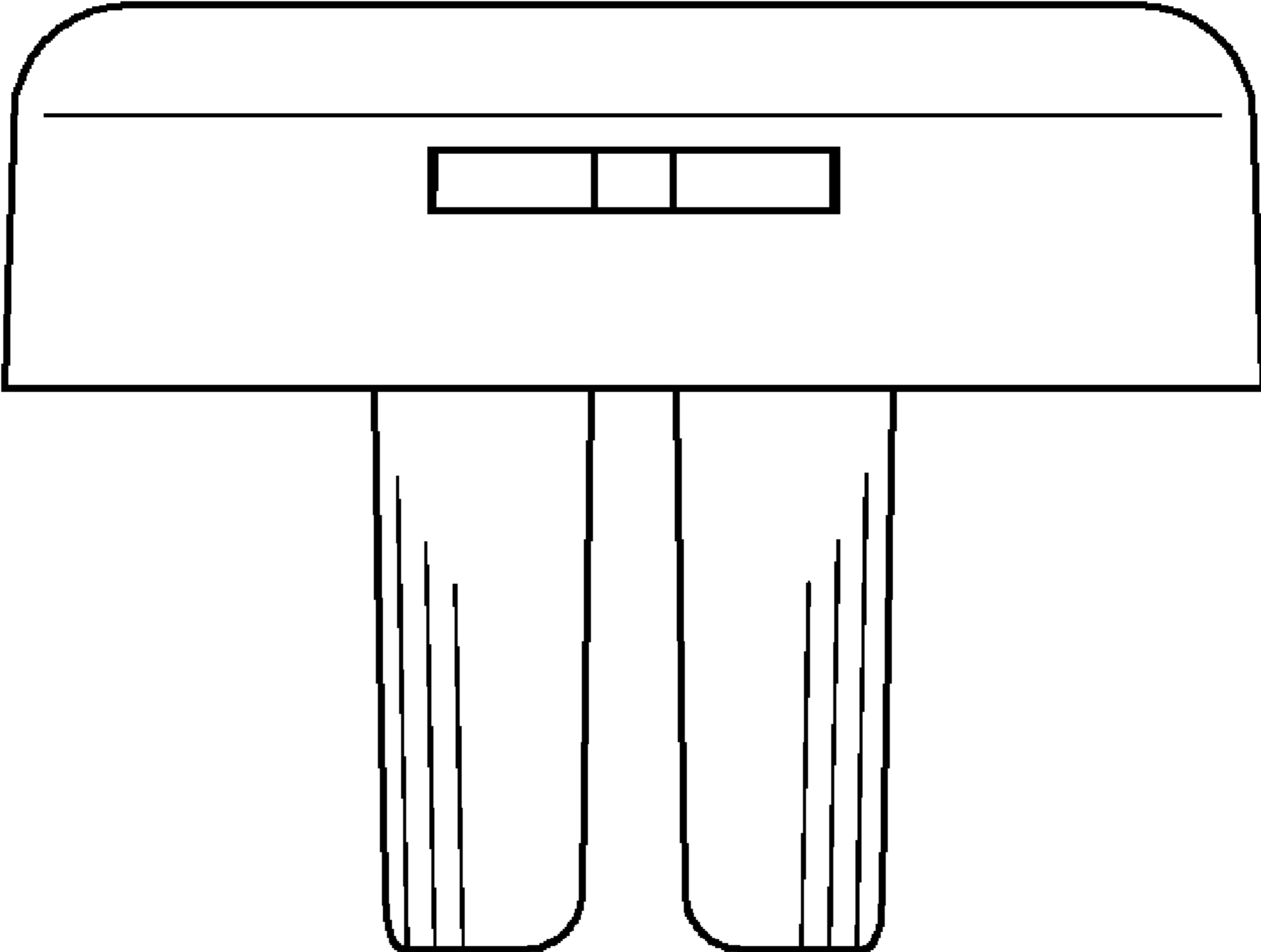


FIG. 4

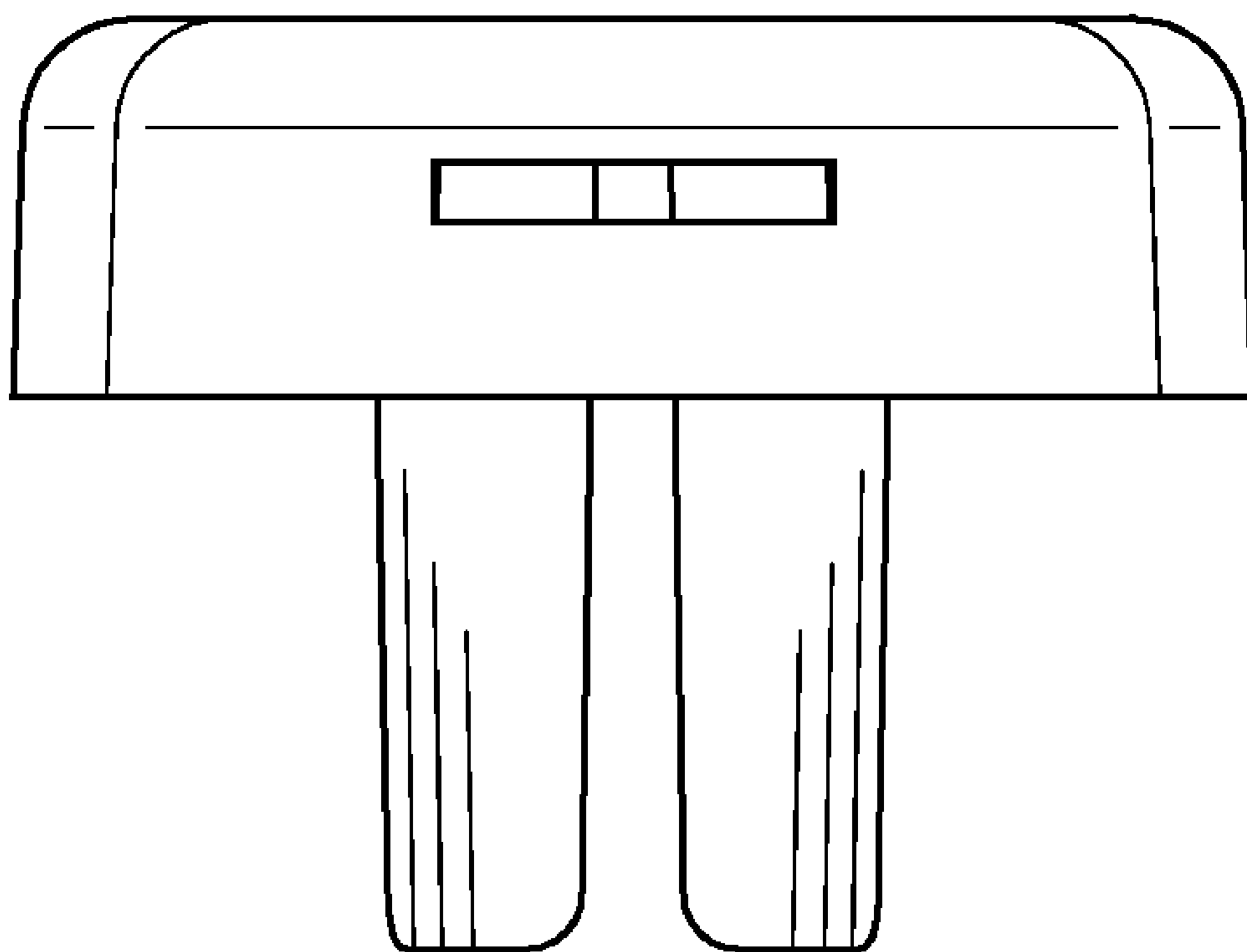


FIG. 5

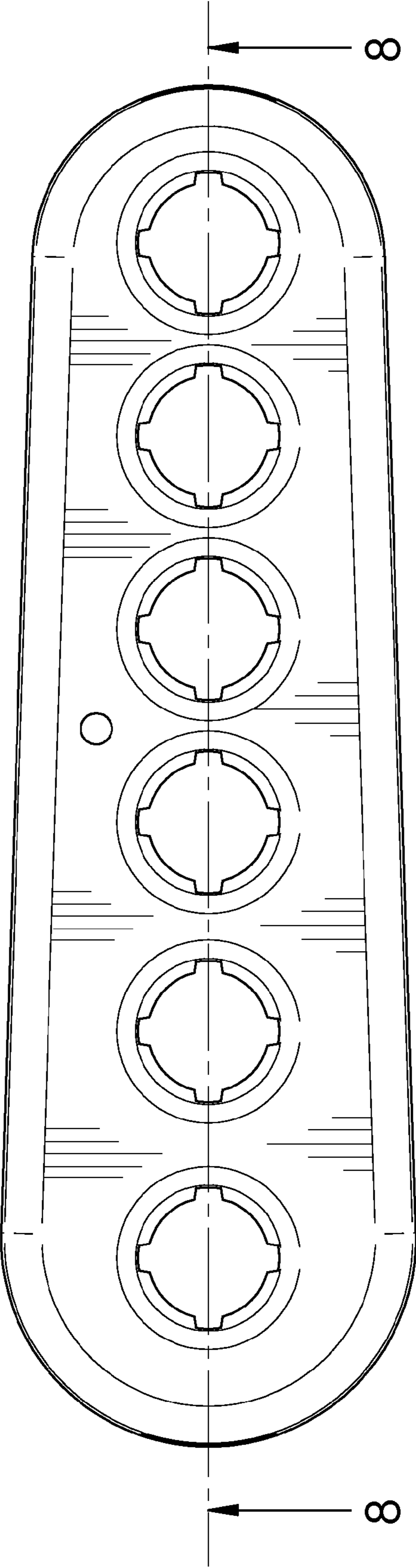


FIG. 6

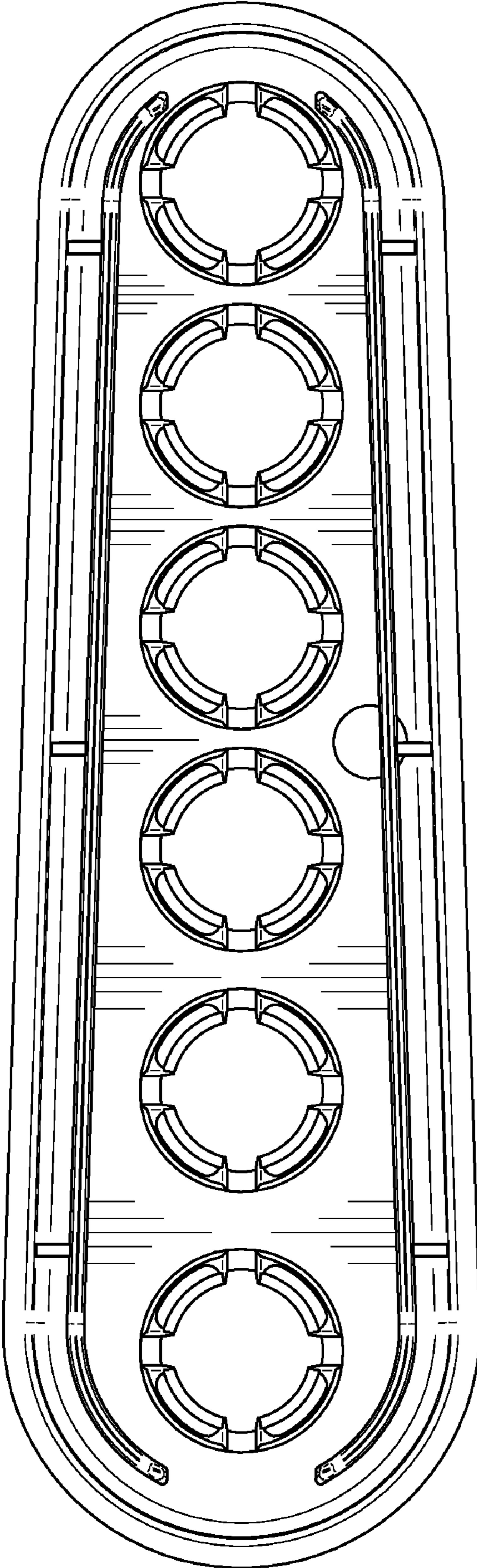


FIG. 7

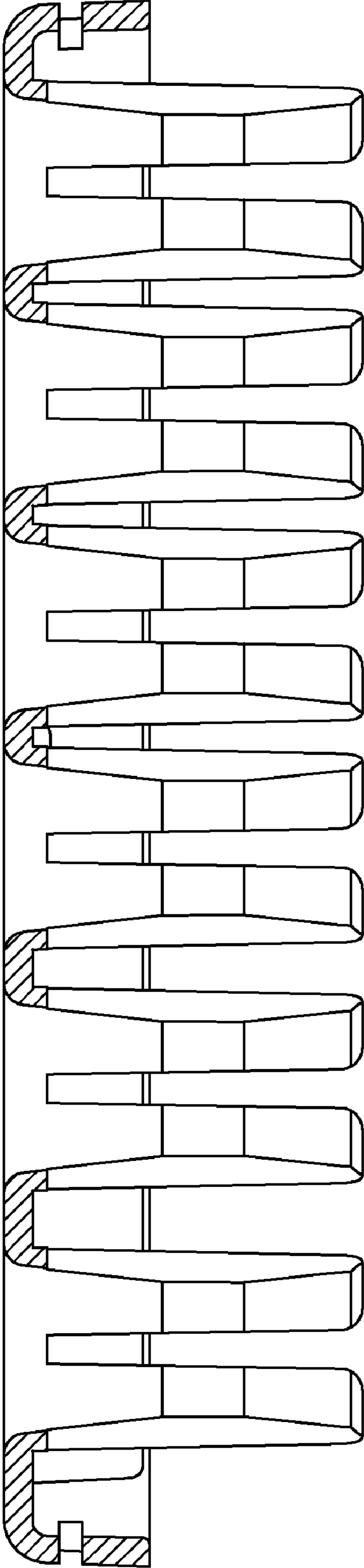


FIG. 8

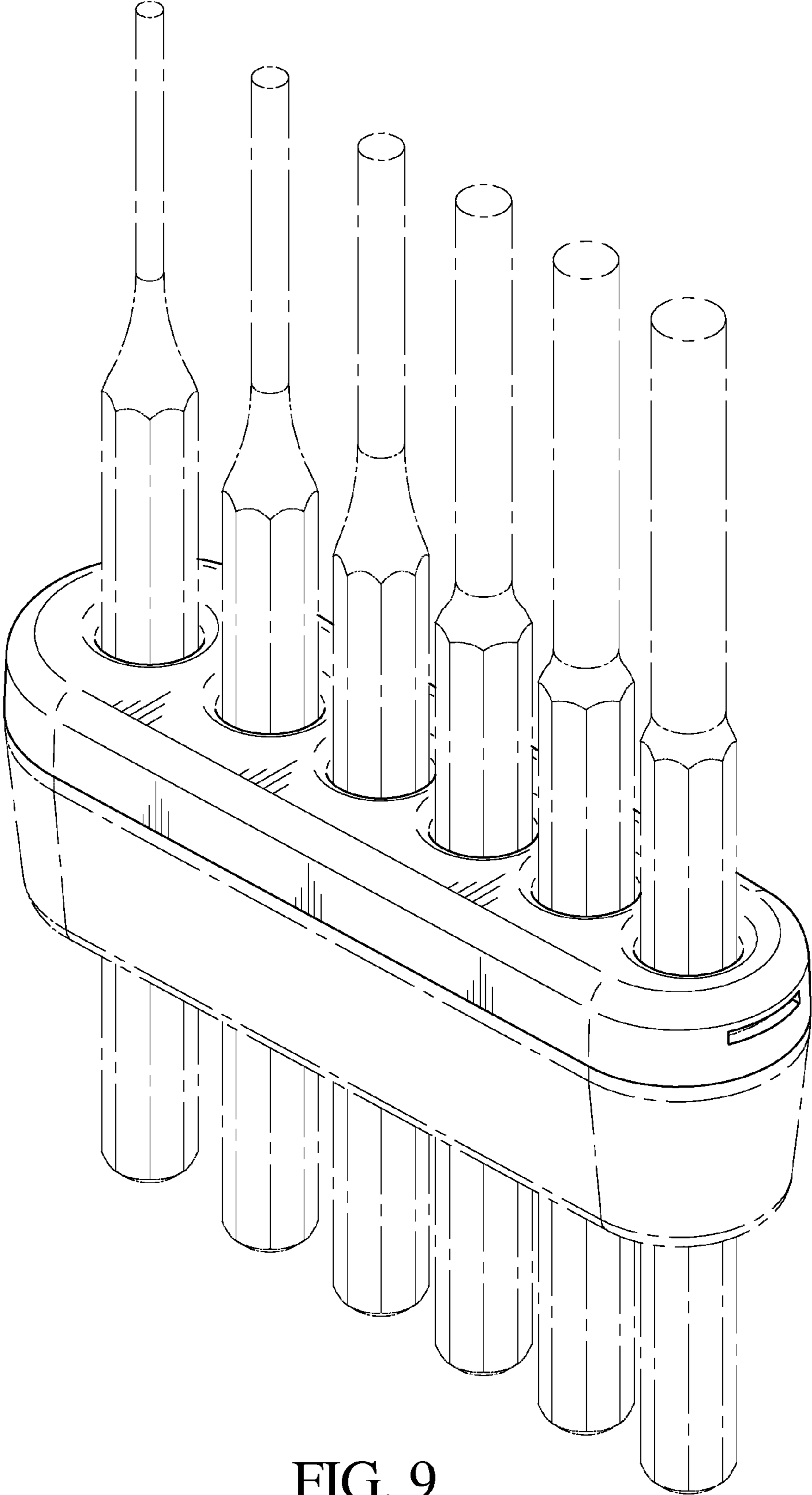


FIG. 9

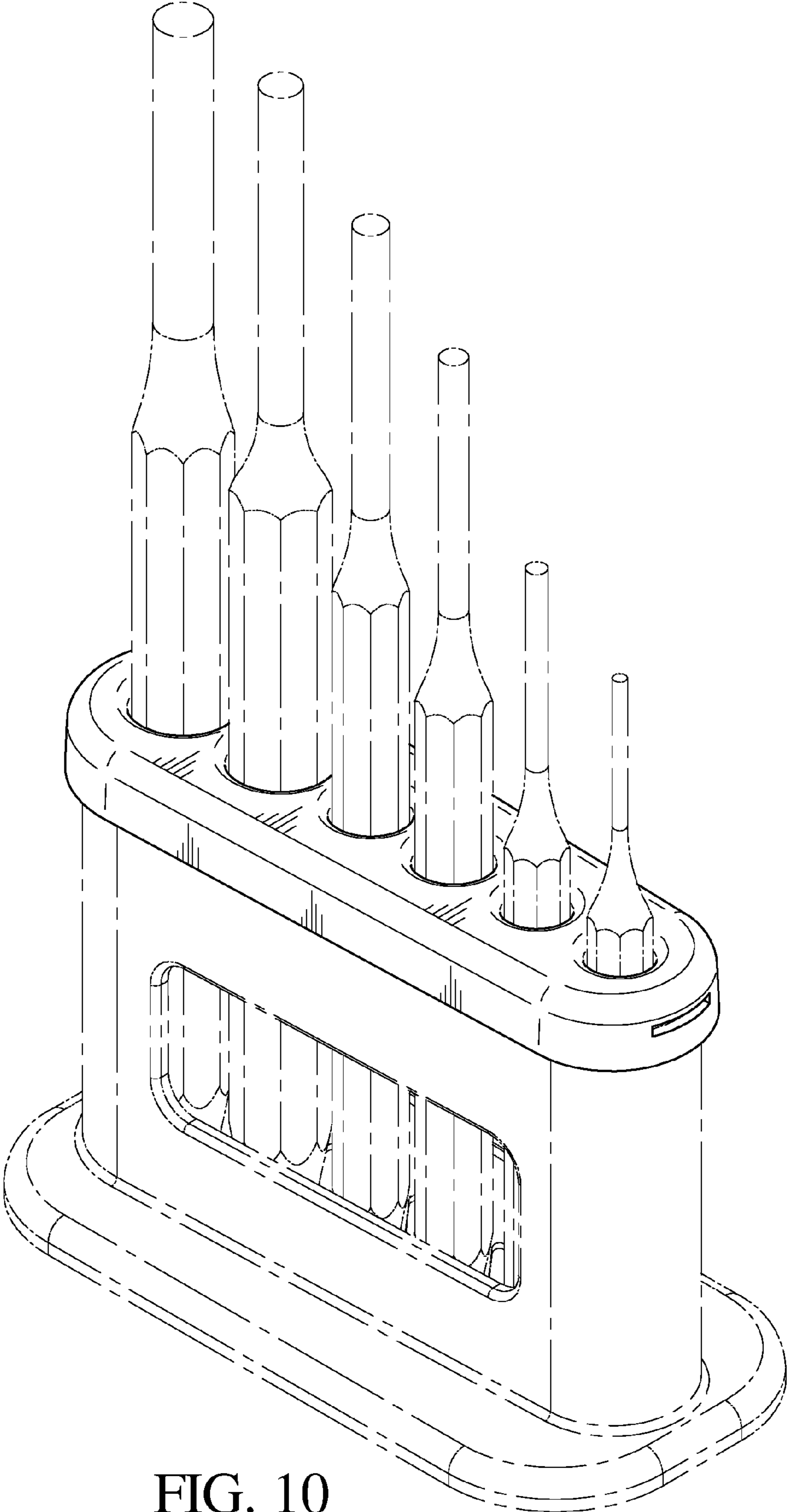


FIG. 10