



US00D637847S

(12) **United States Design Patent**
Kraemer

(10) **Patent No.:** **US D637,847 S**

(45) **Date of Patent:** **** May 17, 2011**

(54) **LOTION PUMP**

(75) Inventor: **Kevin Kraemer**, Cuyahoga Falls, OH
(US)

(73) Assignee: **InterDesign, Inc.**, Solon, OH (US)

(**) Term: **14 Years**

(21) Appl. No.: **29/372,203**

(22) Filed: **Oct. 28, 2010**

(51) **LOC (9) Cl.** **23-02**

(52) **U.S. Cl.** **D6/542**

(58) **Field of Classification Search** D6/542–545;
D9/682, 686, 688–691, 516, 549, 448, 435;
221/282; 222/14, 173, 146.3, 628, 251, 181.1,
222/181.3

See application file for complete search history.

(56) **References Cited**

U.S. PATENT DOCUMENTS

D477,778 S	7/2003	Dretzka	
D477,990 S *	8/2003	Dretzka D9/692
D477,991 S	8/2003	Dretzka	
D480,642 S	10/2003	Dretzka	
D480,643 S	10/2003	Dretzka	
D484,039 S	12/2003	Dretzka	
D484,401 S	12/2003	Dretzka	
D486,336 S	2/2004	Snell	
D488,716 S	4/2004	Dretzka	
D489,617 S	5/2004	Snell	
D496,262 S	9/2004	Dretzka	
D525,534 S	7/2006	Snell	
D530,954 S *	10/2006	Snell D6/542
D531,843 S	11/2006	Snell	
D531,844 S	11/2006	Snell	
D537,360 S	2/2007	Snell	
D537,361 S *	2/2007	Dretzka D9/690
D538,092 S	3/2007	Snell	
D538,177 S *	3/2007	Dretzka D9/690
D551,087 S	9/2007	Snell	

D554,410 S	11/2007	Snell	
D559,600 S	1/2008	Snell	
D563,704 S	3/2008	Snell	
D578,814 S	10/2008	Dretzka	
D581,193 S *	11/2008	Ghiorghie D6/542
D595,522 S *	7/2009	Snell D6/542
D599,597 S *	9/2009	Dretzka D6/542
D599,598 S *	9/2009	Ghiorghie D6/542
D599,599 S	9/2009	Ghiorghie	
D619,397 S *	7/2010	Snell D6/542

OTHER PUBLICATIONS

InterDesign, Inc. Product Brochure—Bath, p. 6.

(Continued)

Primary Examiner — Brian N Vinson

(74) *Attorney, Agent, or Firm* — D. Peter Hochberg; Sean F. Mellino; Daniel J. Smola

(57) **CLAIM**

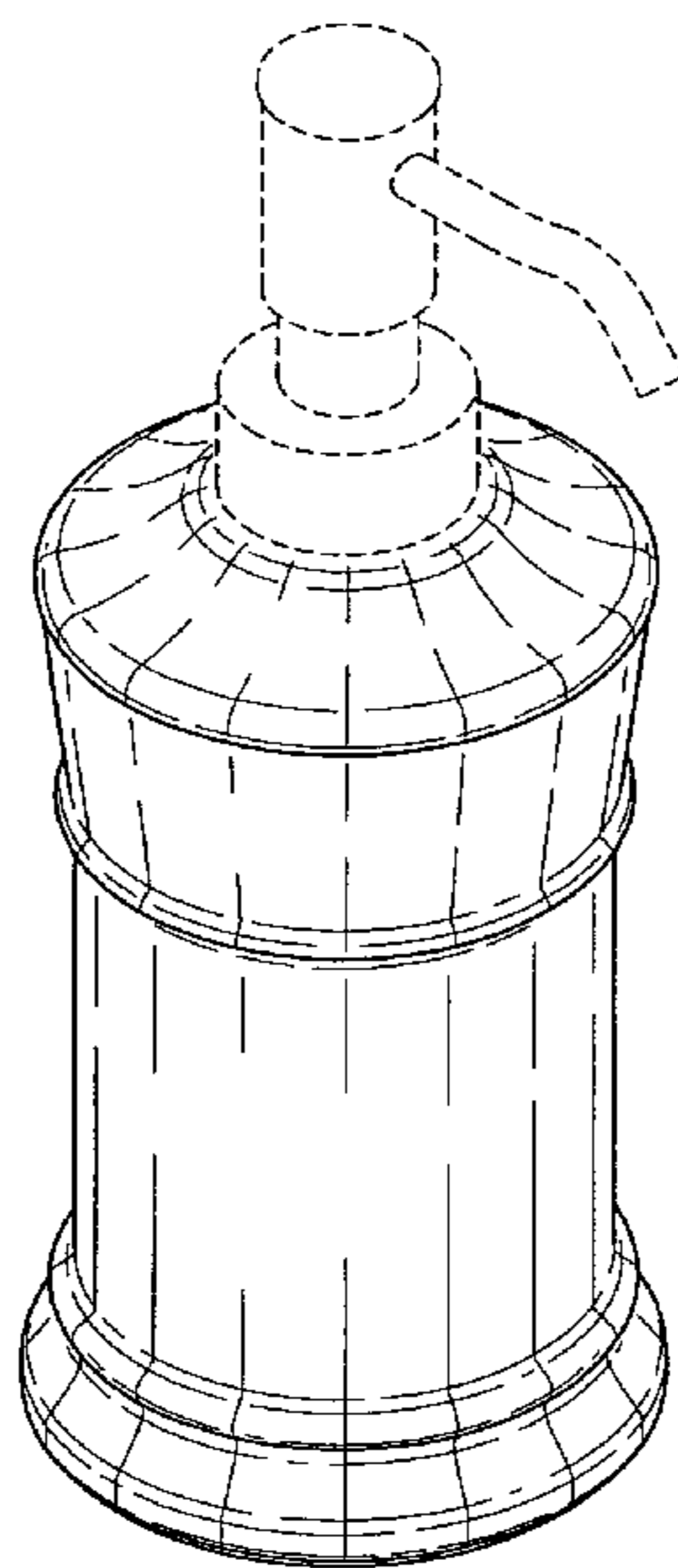
The ornamental design for an lotion pump, as shown and described.

DESCRIPTION

FIG. 1 is a perspective view of the lotion pump according to the invention;
FIG. 2 is a top view of the lotion pump as shown in FIG. 1;
FIG. 3 is a side view of the lotion pump as shown in FIG. 1;
FIG. 4 is a front view of the lotion pump as shown in FIG. 1;
FIG. 5 is a side view of the lotion pump as shown in FIG. 1, shown from the opposite side as that shown in FIG. 3;
FIG. 6 is a rear view of the lotion pump as shown in FIG. 1; and,
FIG. 7 is a bottom view of the lotion pump as shown in FIG. 1.

The broken-line disclosure in the views is intended to represent a portion of the article in which the claimed design is embodied, but which forms no part of the claimed design.

1 Claim, 3 Drawing Sheets



OTHER PUBLICATIONS

InterDesign, Inc. Product Brochure—2000, p. 4, 5.
InterDesign, Inc. Product Brochure—2001, pp. 12, 13.
InterDesign, Inc. Product Brochure—2003, pp. 5, 6, 9, 10, 14, 15, 16,
17, 20, 21, 22, 23, 29, 43, 46.
InterDesign, Inc. Product Brochure—2004, pp. 4, 6, 12, 20, 22, 27,
28, 29.

InterDesign, Inc. Product Brochure—2005, pp. 6, 32, 38.
InterDesign, Inc. Product Brochure—2006, pp. 2, 3, 4, 6.
InterDesign, Inc. Product Brochure—2007, pp. 2, 3, 4, 5, 12, 53, 54.
InterDesign, Inc. Product Brochure—2008, pp. 28, 29, 31, 37.
InterDesign, Inc. Product Brochure—2009, pp. 3, 4, 5, 8, 67, 69.

* cited by examiner

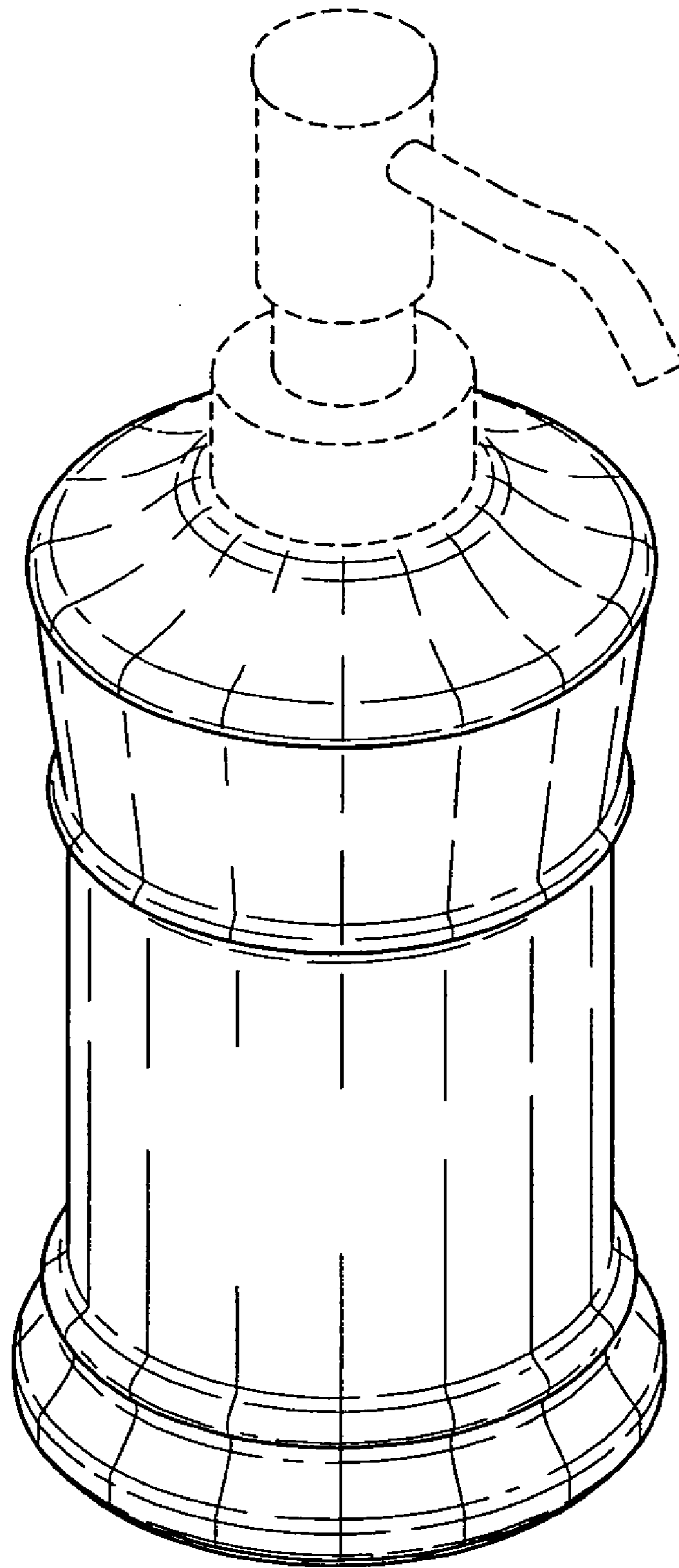


FIG-1

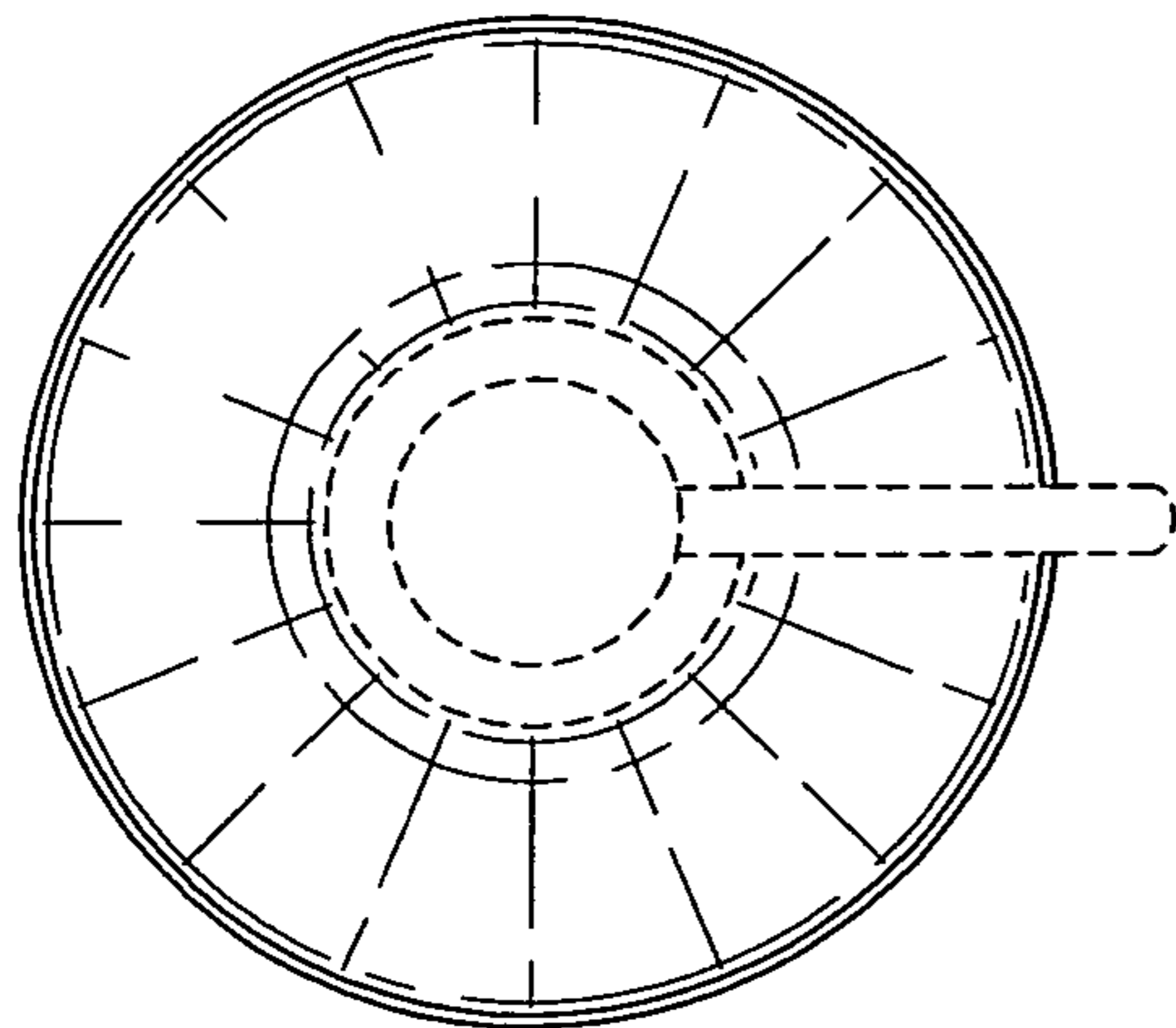


FIG-2

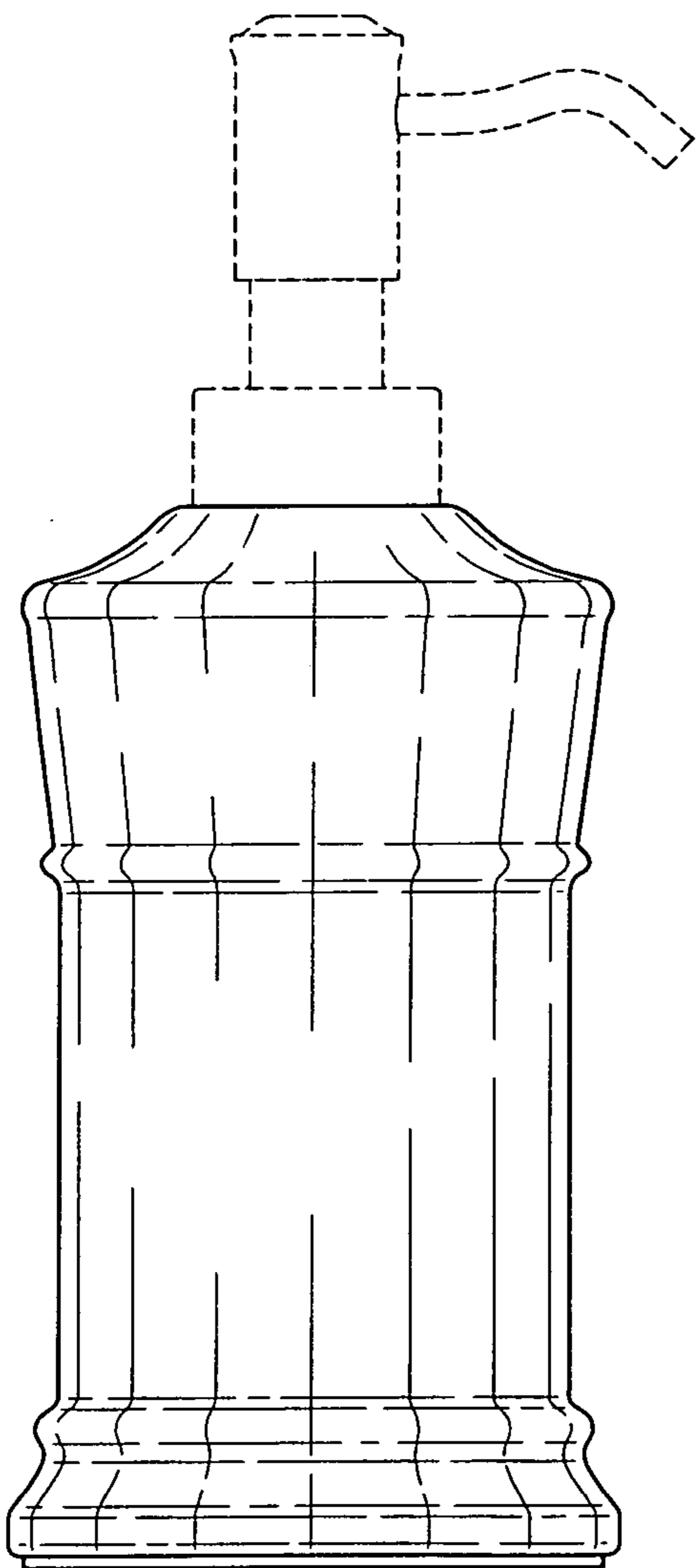


FIG-3

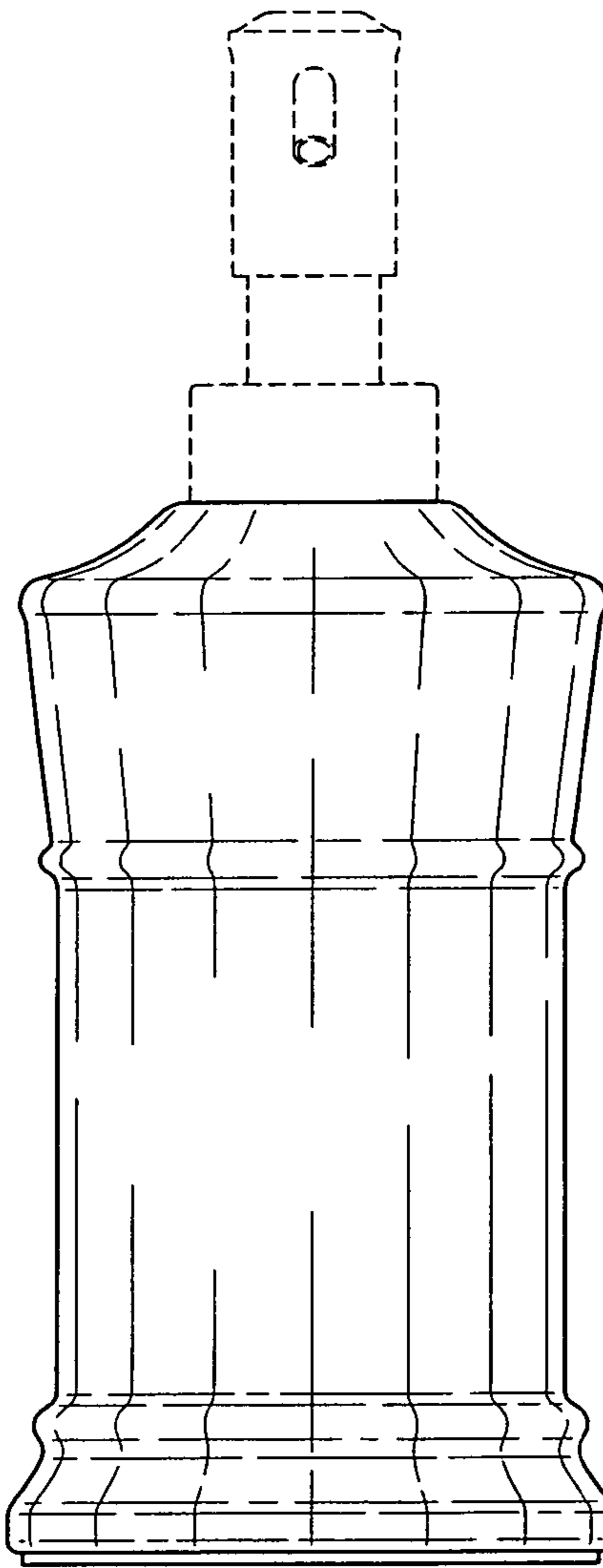


FIG-4

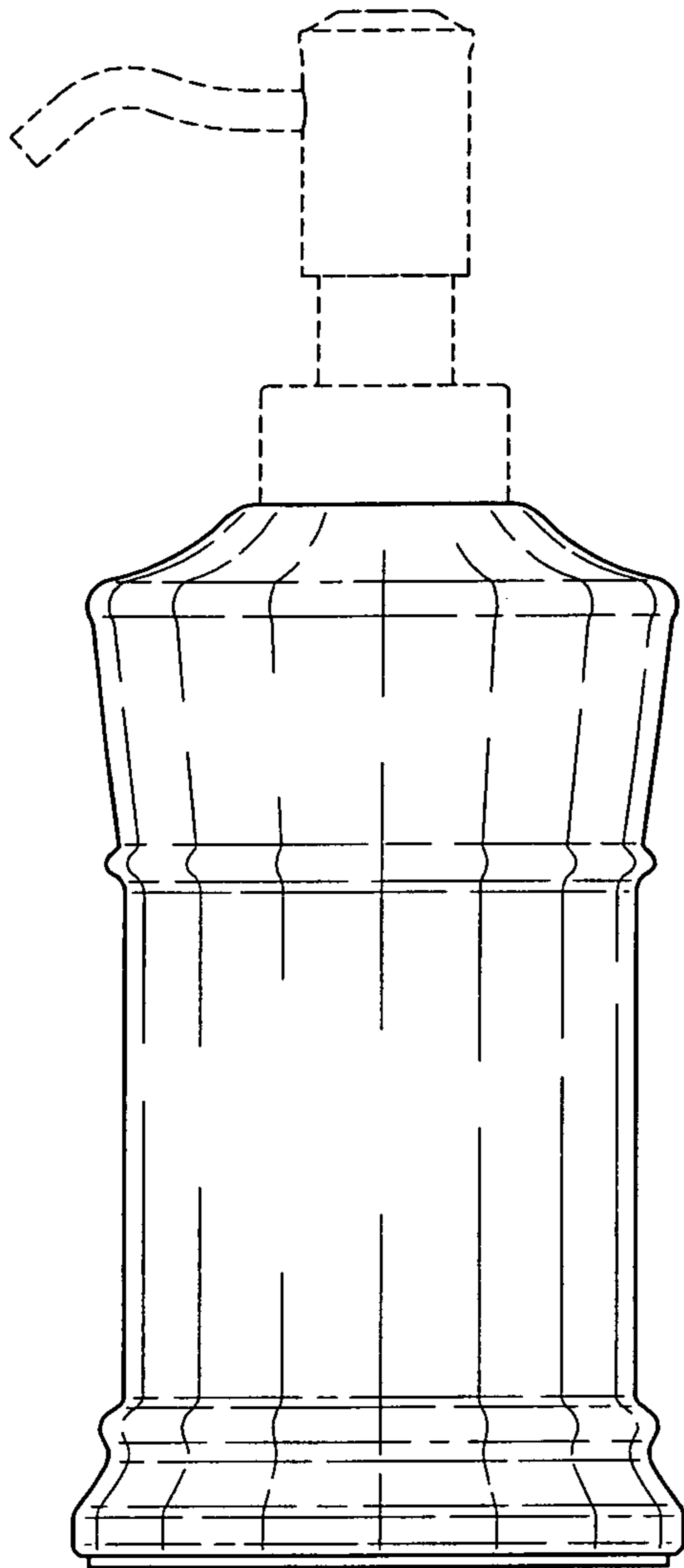


FIG-5

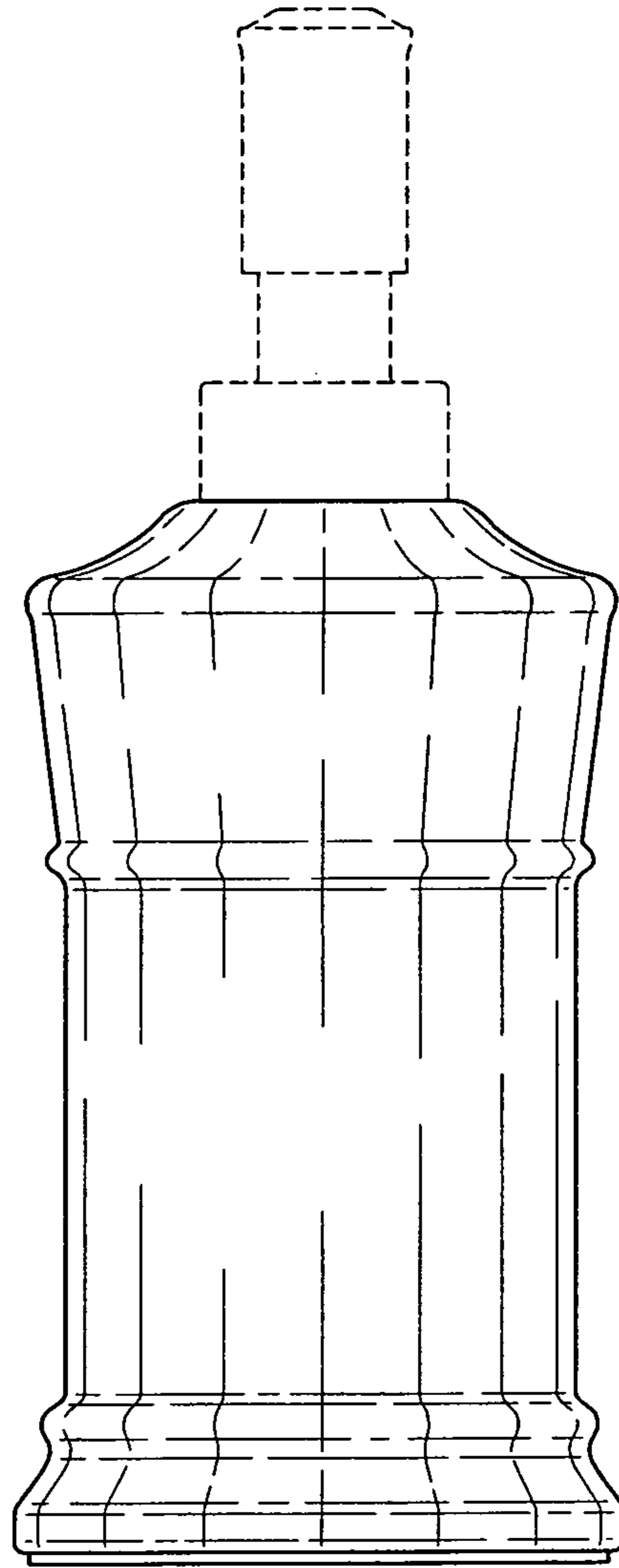


FIG-6

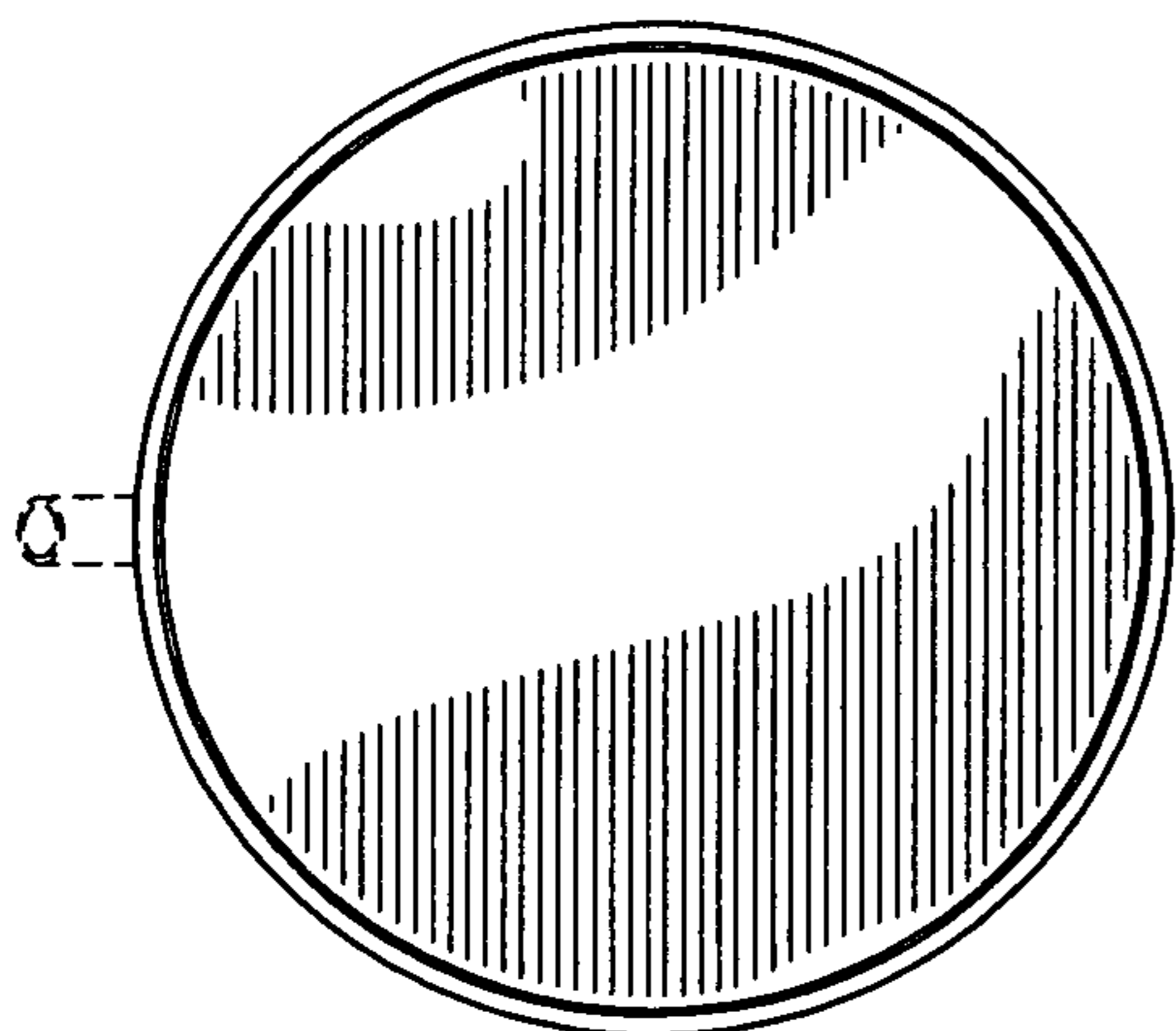


FIG-7