



US00D637842S

(12) **United States Design Patent**
Kraemer

(10) **Patent No.:** **US D637,842 S**

(45) **Date of Patent:** **** May 17, 2011**

(54) **TOOTHBRUSH STAND**

(75) **Inventor:** **Kevin Kraemer**, Cuyahoga Falls, OH (US)

(73) **Assignee:** **InterDesign, Inc.**, Solon, OH (US)

(**) **Term:** **14 Years**

(21) **Appl. No.:** **29/372,231**

(22) **Filed:** **Oct. 29, 2010**

(51) **LOC (9) Cl.** **23-02**

(52) **U.S. Cl.** **D6/534**

(58) **Field of Classification Search** D6/524,
D6/526, 527, 528, 534; 206/208, 228, 209,
206/209.1, 361, 362, 362.1, 362.2, 362.3;
211/13.1, 66, 70.6, 86.01, 87.01

See application file for complete search history.

(56) **References Cited**

U.S. PATENT DOCUMENTS

D477,734 S	7/2003	Snell	
D478,230 S	8/2003	Dretzka	
D478,231 S	8/2003	Snell	
D482,222 S	11/2003	Dretzka	
D499,918 S	12/2004	Snell	
D530,122 S	10/2006	Snell	
D530,552 S	10/2006	Snell	
D530,949 S	10/2006	Snell	
D530,950 S	10/2006	Dretzka	
D546,607 S	7/2007	Dretzka	
D576,828 S	9/2008	Ghiorghie	
D576,829 S	9/2008	Dretzka	
D599,591 S *	9/2009	Snell	D6/534
D599,592 S *	9/2009	Dretzka	D6/534
D599,593 S *	9/2009	Ghiorghie	D6/534
D615,334 S *	5/2010	Ghiorghie	D6/534
D615,335 S *	5/2010	Snell	D6/534
D619,395 S *	7/2010	Snell	D6/534

OTHER PUBLICATIONS

- InterDesign, Inc. Product Brochure—2000, p. 4, 5.
- InterDesign, Inc. Product Brochure—2001, p. 12, 13.
- InterDesign, Inc. Product Brochure—2003, pp. 6, 9, 10, 11, 15, 16, 17, 22, 23, 24.
- InterDesign, Inc. Product Brochure—2004, p. 24, 28, 29, 30, 31.
- InterDesign, Inc. Product Brochure—2005, p. 6.
- InterDesign, Inc. Product Brochure—2006, pp. 2, 3, 4, 5.
- InterDesign, Inc. Product Brochure—2007, pp. 2, 3, 4, 5.
- InterDesign, Inc. Product Brochure—2008, pp. 28, 29.
- InterDesign, Inc. Product Brochure—2009, pp. 3, 4, 5, 7, 8, 11.

* cited by examiner

Primary Examiner — Brian N Vinson

(74) *Attorney, Agent, or Firm* — D. Peter Hochberg; Sean F. Mellino; Daniel J. Smola

(57) **CLAIM**

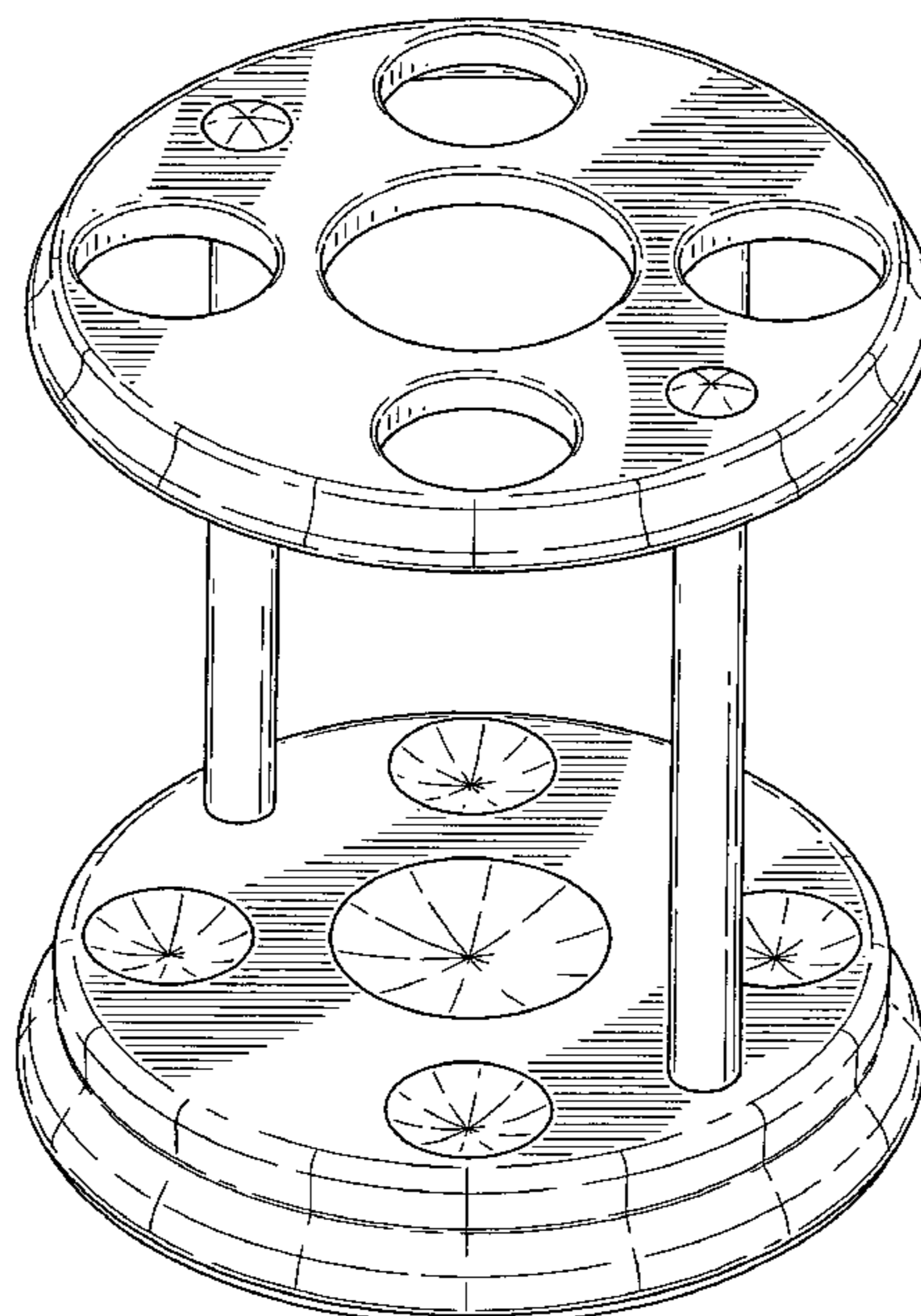
The ornamental design for a toothbrush stand, as shown and described.

DESCRIPTION

FIG. 1 is a top perspective view of the toothbrush stand according to the invention;
 FIG. 2 is a bottom perspective view of the toothbrush stand according to the invention;
 FIG. 3 a top view of the toothbrush stand as shown in FIG. 1;
 FIG. 4 is a front view of the toothbrush stand as shown in FIG. 1, which is identical to the rear view;
 FIG. 5 is a side view of the toothbrush stand as shown in FIG. 1, which is identical to the other side view; and,
 FIG. 6 is a bottom view of the toothbrush stand as shown in FIG. 1.

The broken-line disclosure is understood to illustrate portions of the article in which the claimed design is embodied, but which form no part of the claimed design.

1 Claim, 4 Drawing Sheets



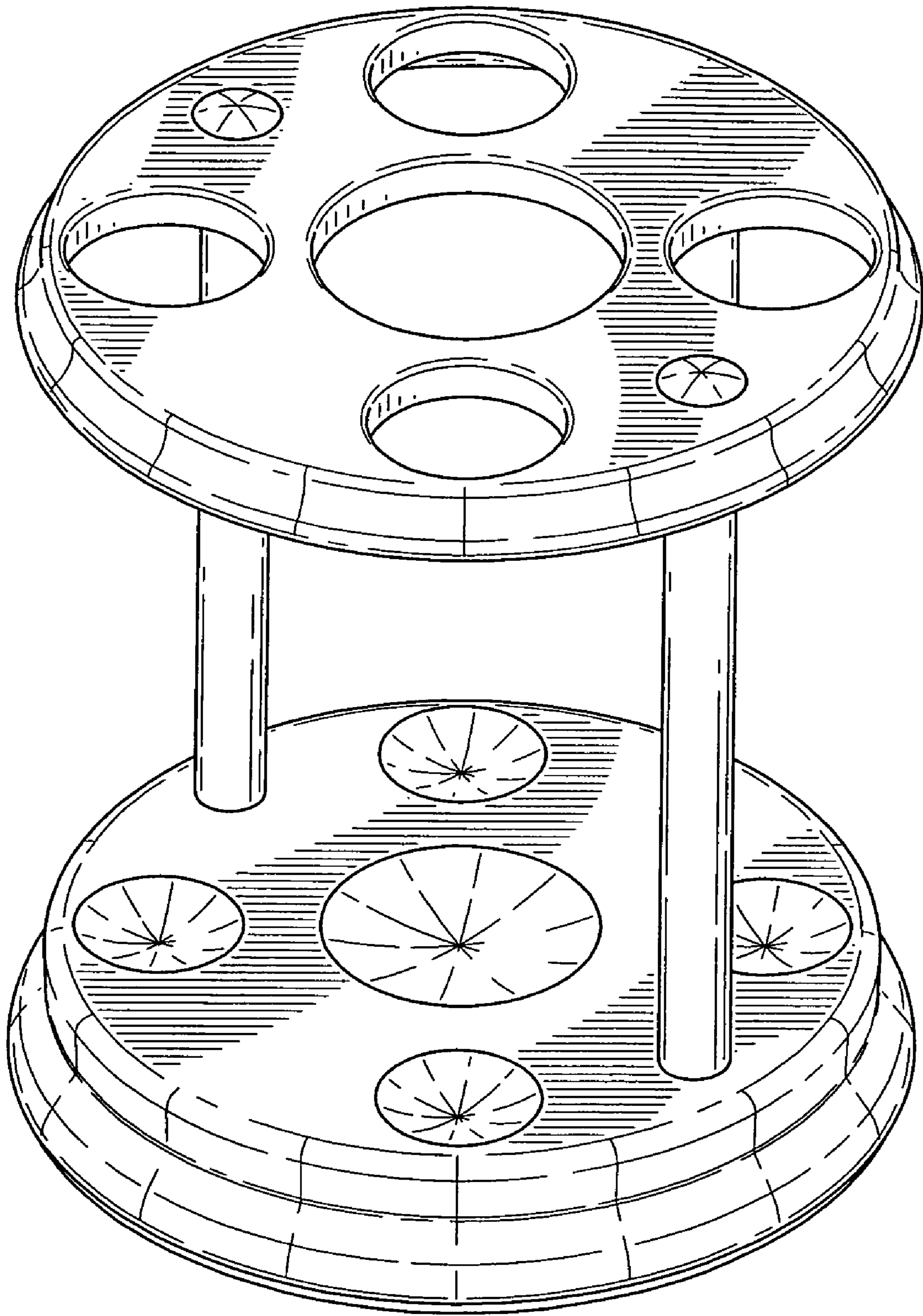


FIG-1

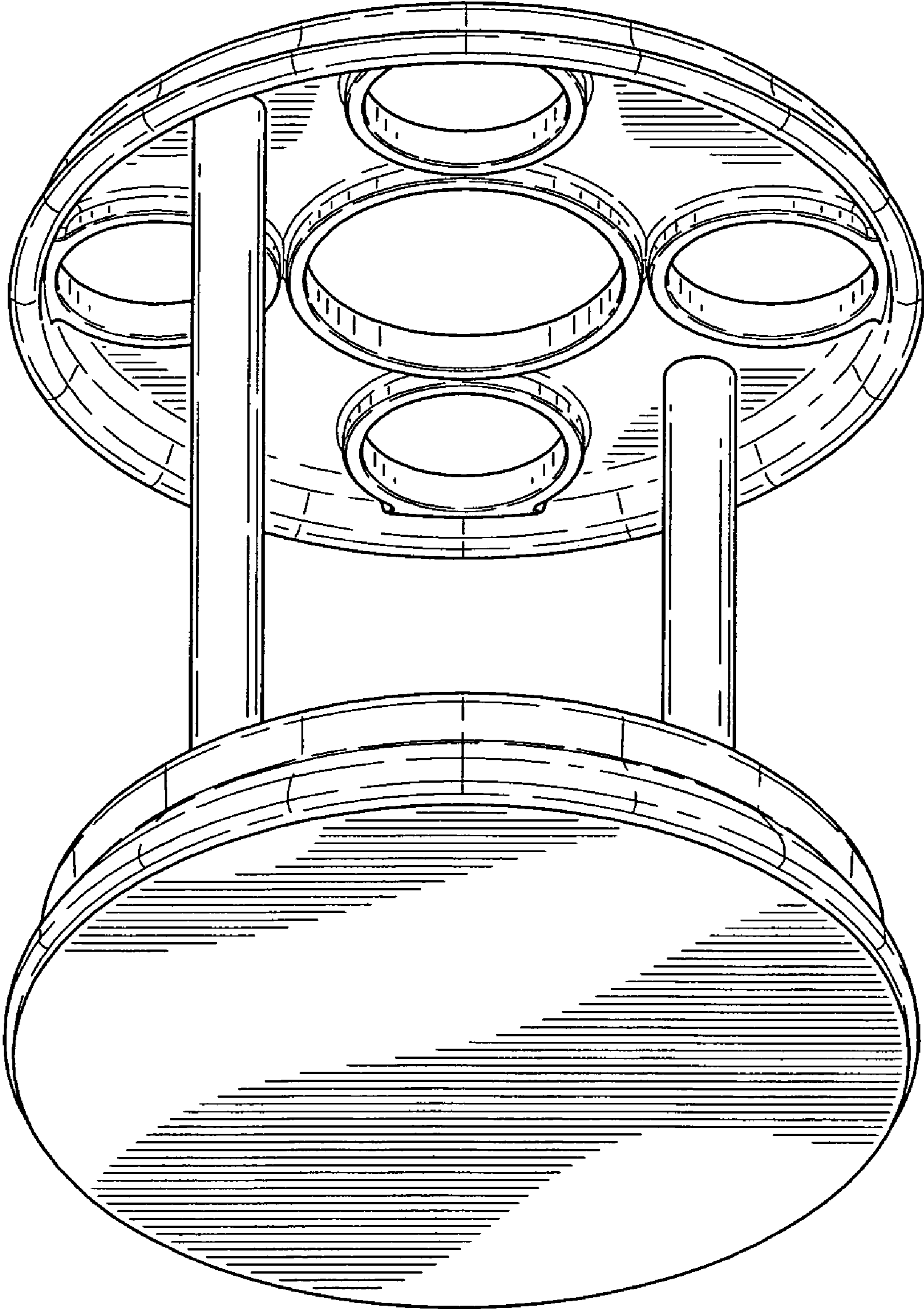


FIG-2

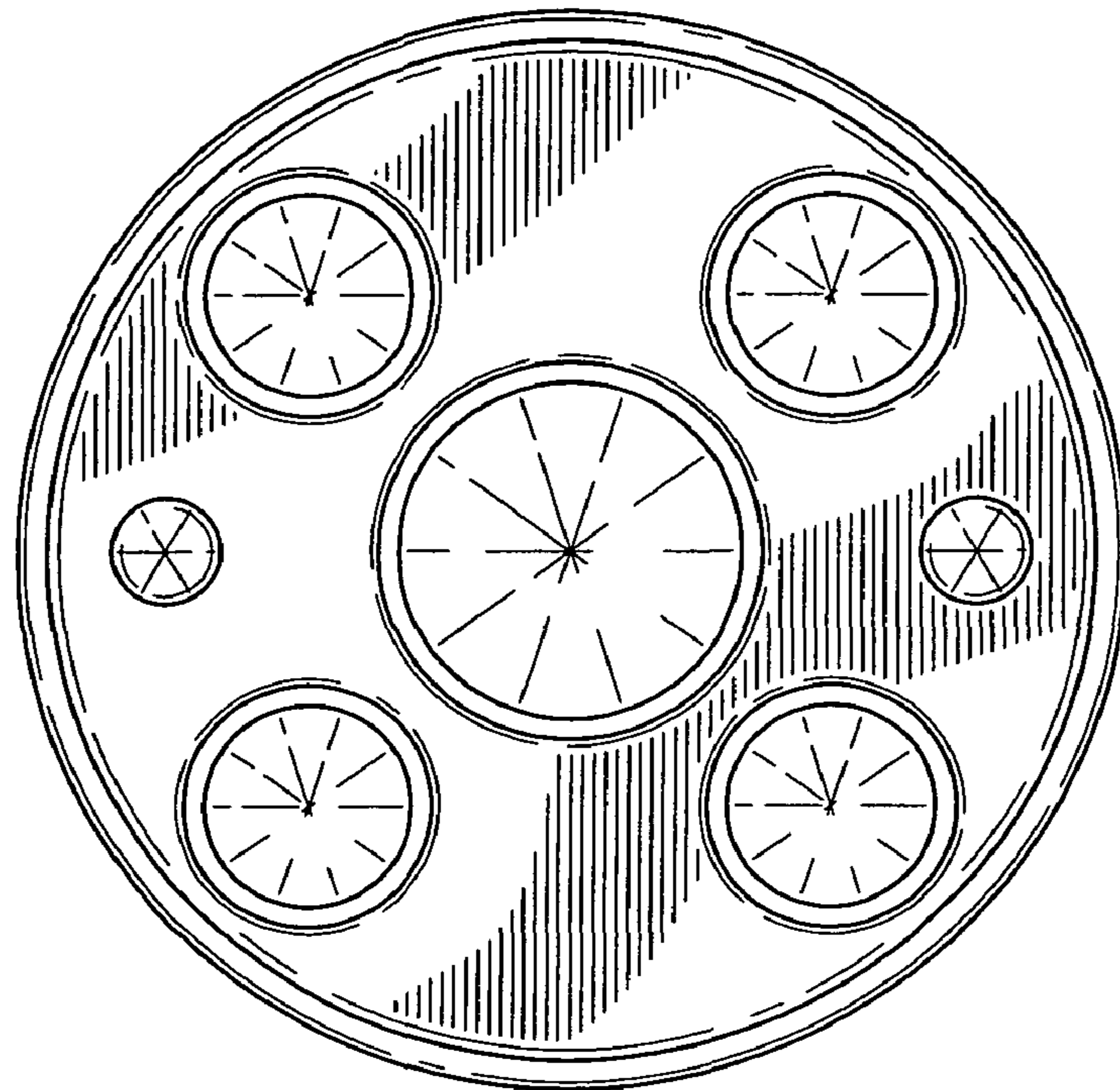


FIG-3

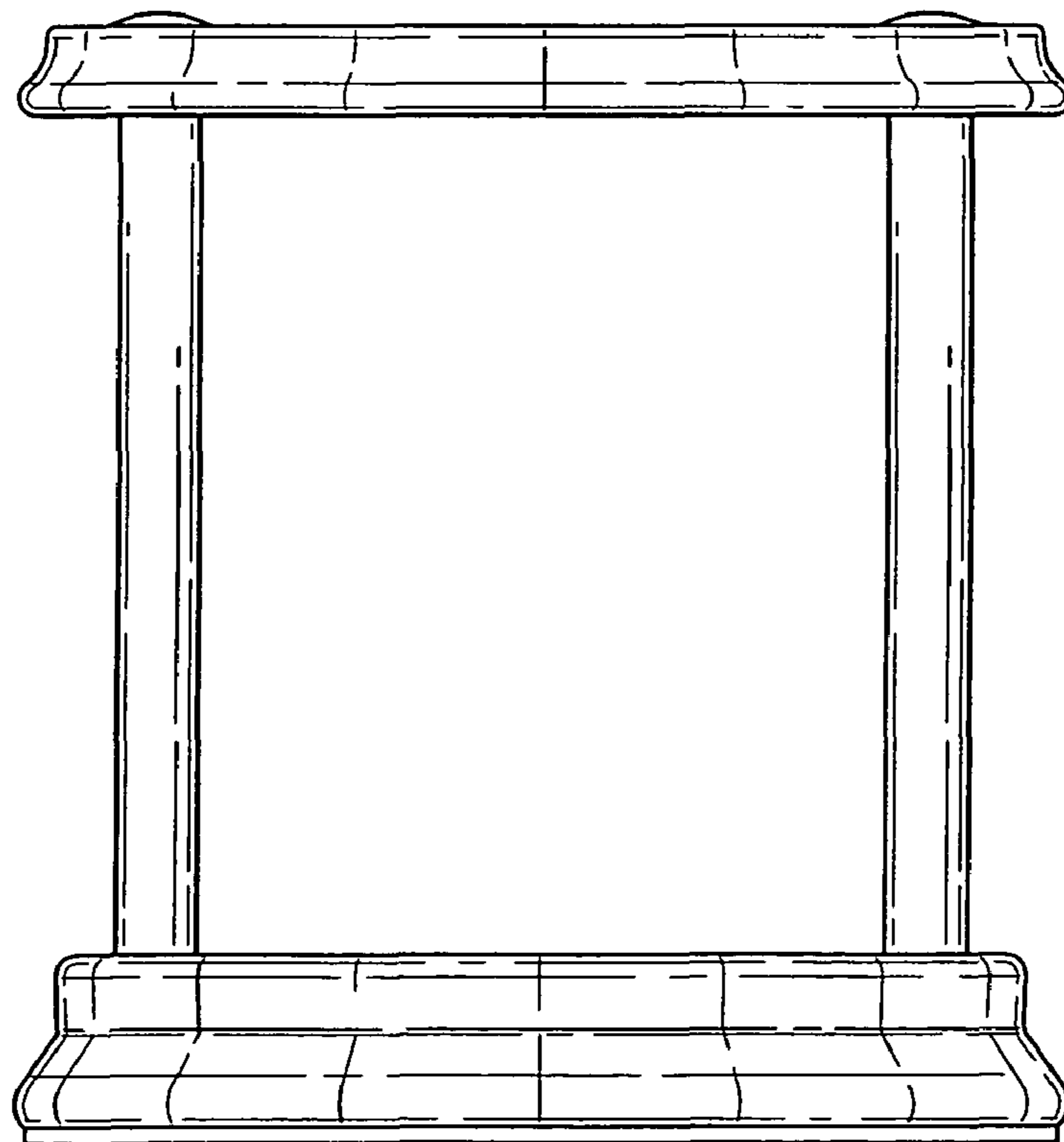


FIG-4

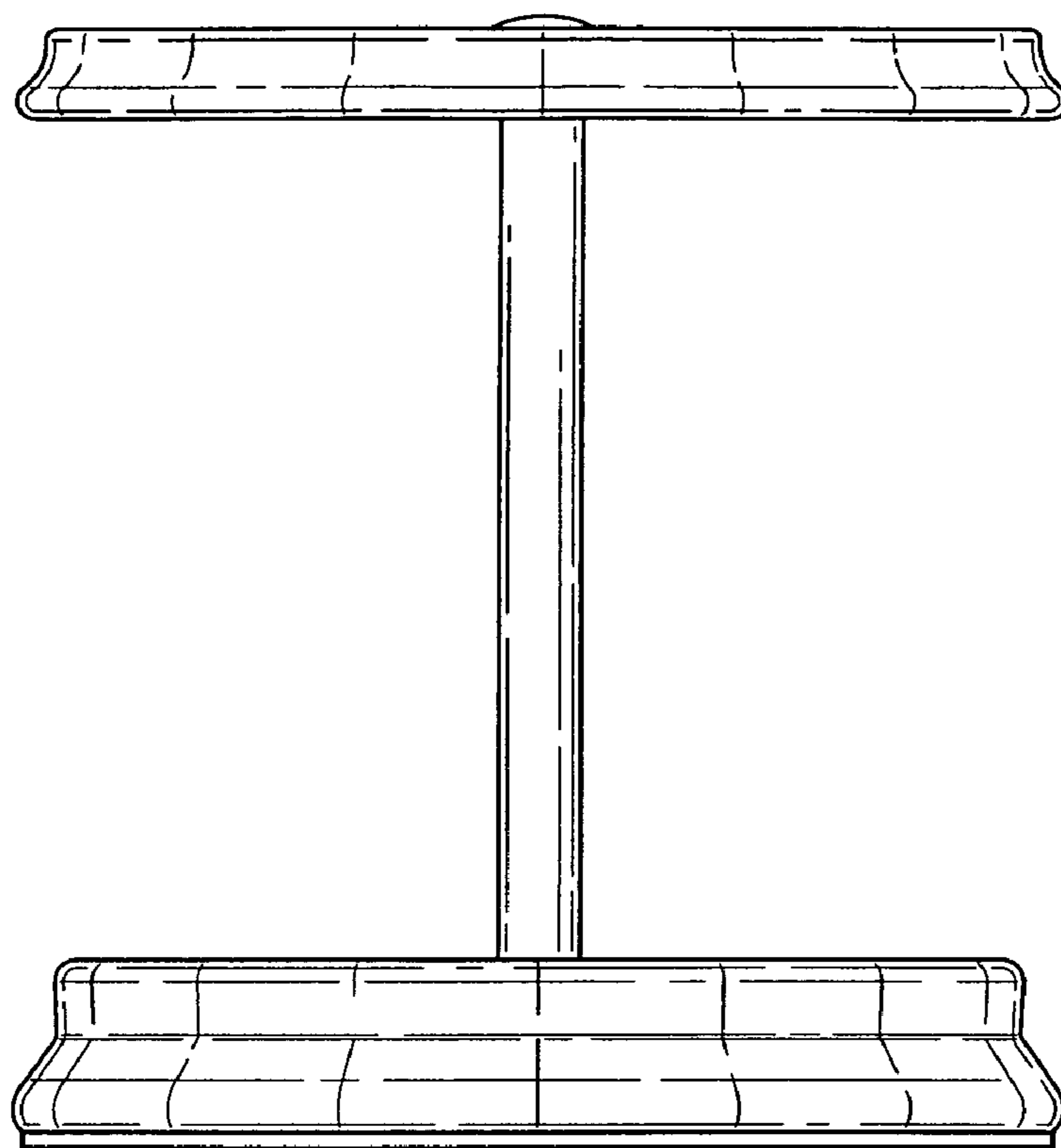


FIG-5

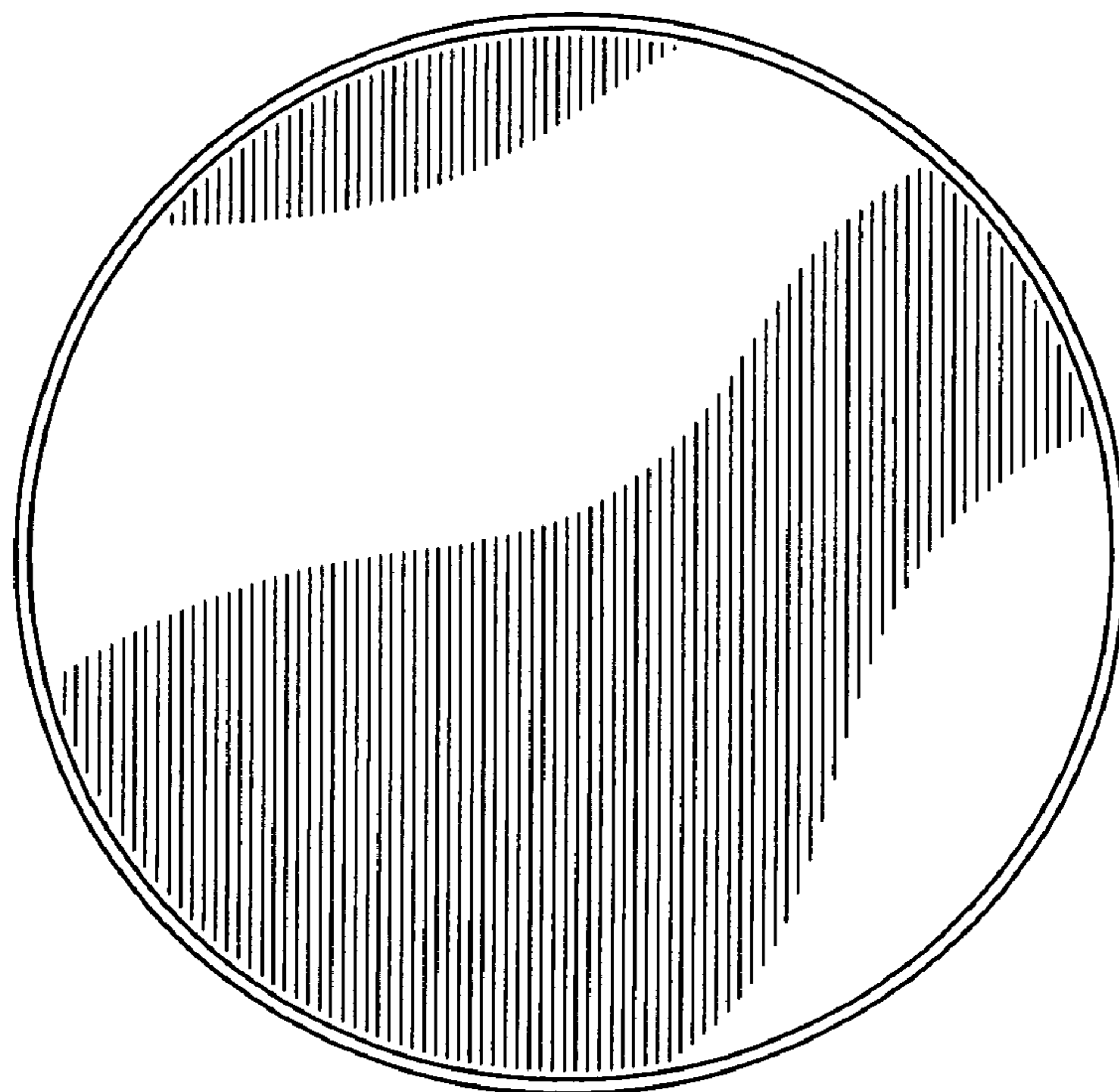


FIG-6